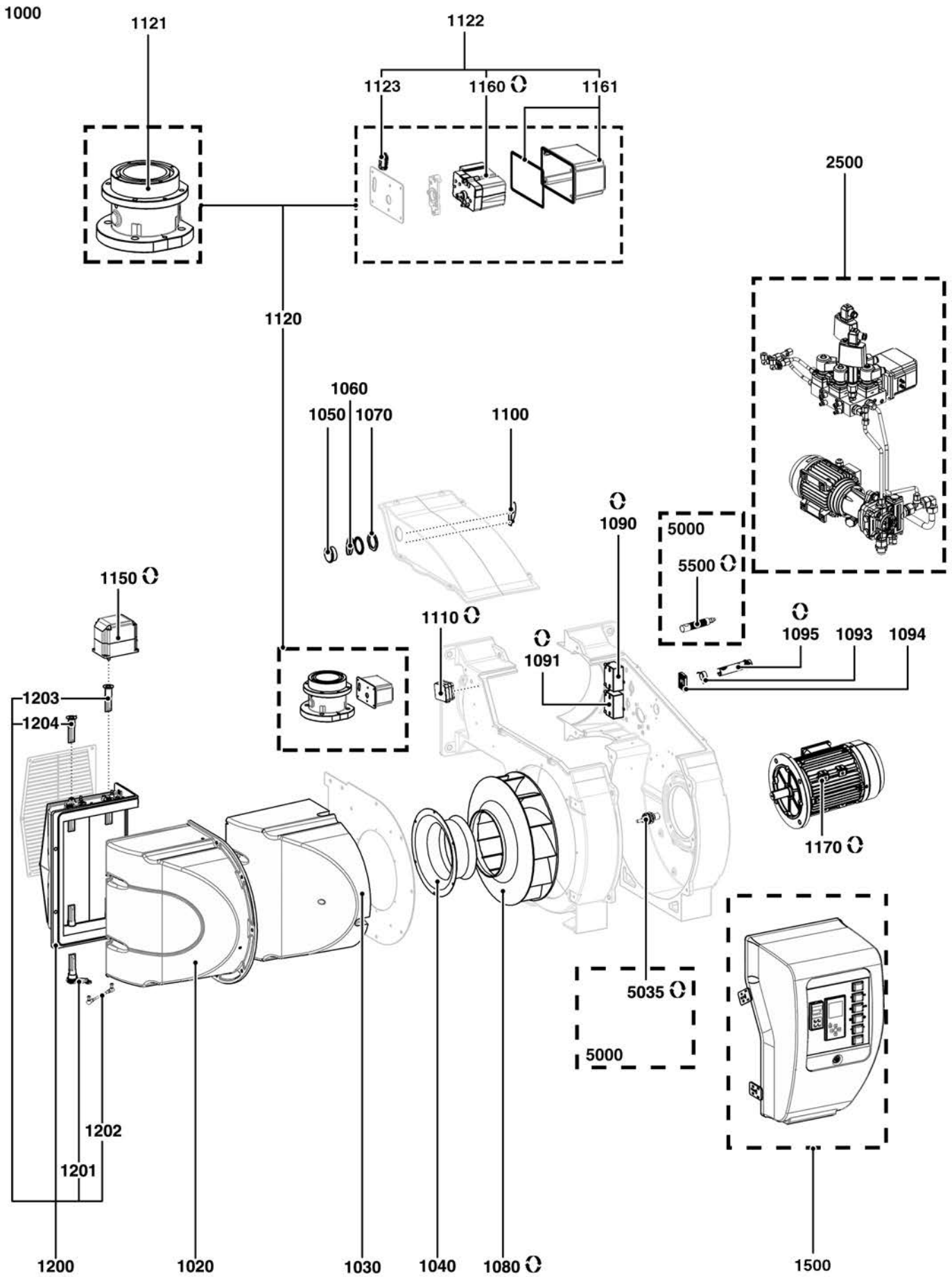


SPARE PARTS EXPLODED VIEW DUAL-FUEL BURNERS Model **CB-EKEVO6/7 GL-E**

R8220149-02 - 17/01/2020

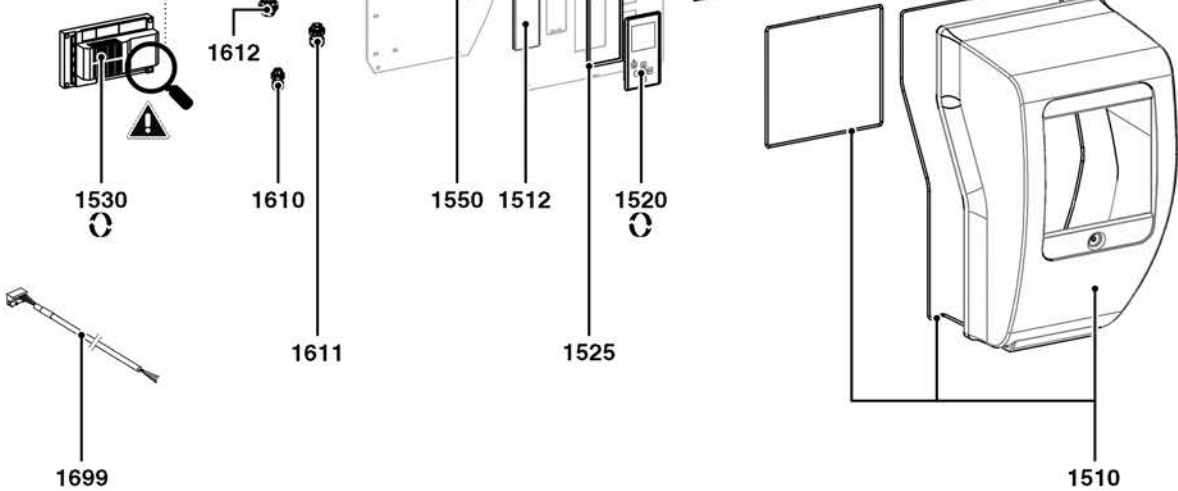
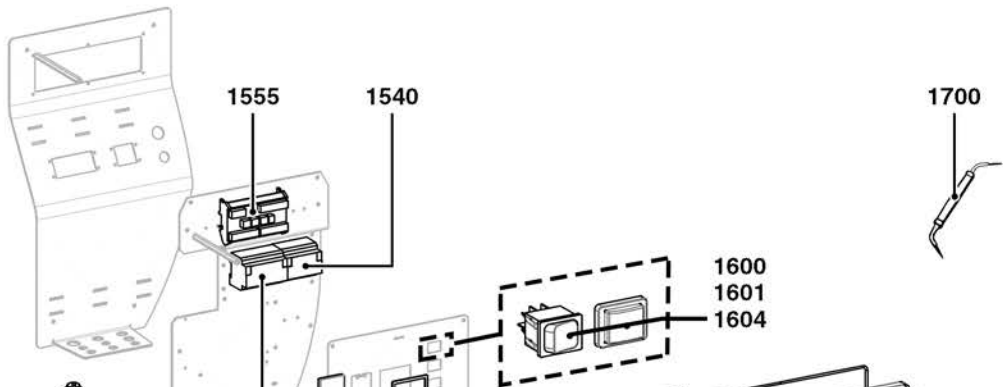
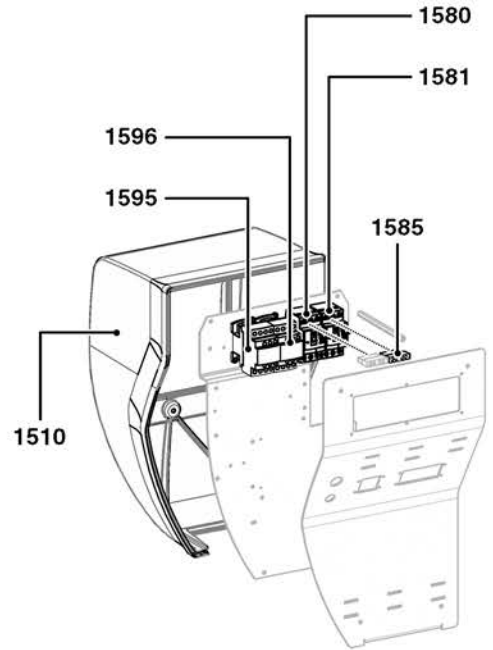
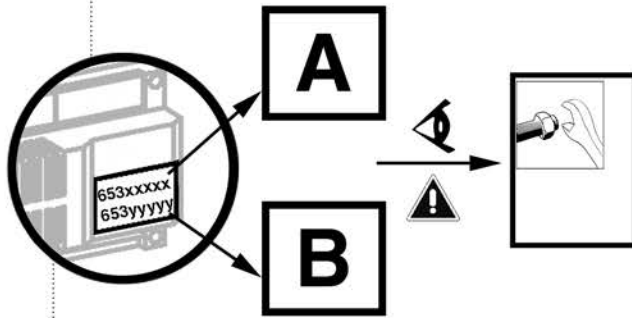
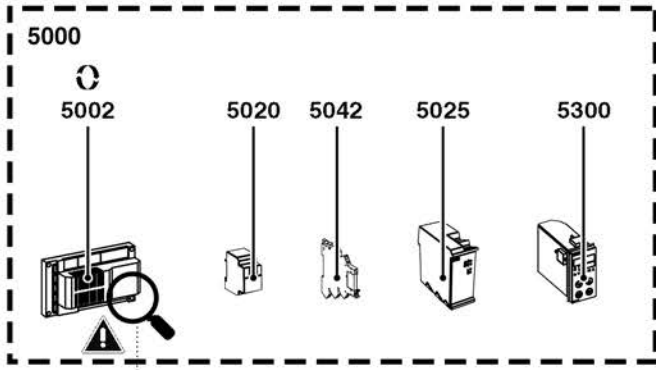
1	3754276	EKEVO 6.2400 GL-E/BT3/KN	11-2015	-
1	3754280	EKEVO 6.2400 GL-E/BT3/KM	11-2015	-
1	3754284	EKEVO 6.2400 GL-E/BT3/KL	11-2015	-
2	3754277	EKEVO 6.2900 GL-E/BT3/KN	11-2015	-
2	3754281	EKEVO 6.2900 GL-E/BT3/KM	11-2015	-
2	3754285	EKEVO 6.2900 GL-E/BT3/KL	11-2015	-
3	3754278	EKEVO 7.3600 GL-E/BT3/KN	11-2015	-
3	3754282	EKEVO 7.3600 GL-E/BT3/KM	11-2015	-
3	3754286	EKEVO 7.3600 GL-E/BT3/KL	11-2015	-
4	3754279	EKEVO 7.4500 GL-E/BT3/KN	11-2015	-
4	3754283	EKEVO 7.4500 GL-E/BT3/KM	11-2015	-
4	3754287	EKEVO 7.4500 GL-E/BT3/KL	11-2015	-
5	3750525	GT-S451-1 1/2	01-2014	-
6	3750526	GT-S452-2	01-2014	-
7	3750509	GT-D451-1 1/4	01-2014	-
8	3750510	GT-D452-1 1/2	01-2014	-
9	3750511	GT-D453-2	01-2014	-
10	3750527	GT-S453-65	01-2014	-
11	3750528	GT-S454-80	01-2014	-
12	3750529	GT-S455-100	01-2014	-
13	3750530	GT-S456-125	01-2014	-
14	3750512	GT-D454-65	01-2014	-
15	3750513	GT-D455-80	01-2014	-
16	3750514	GT-D456-100	01-2014	-
Col	Reference	Model type	Begin	End



☉⇒	Description	Manf. Pt. N	Type	<div style="display: flex; justify-content: space-between; font-size: small;"> EKEVO 6-2400 GL-E/B/T3 EKEVO 6-2900 GL-E/B/T3 EKEVO 7-3800 GL-E/B/T3 EKEVO 7-4800 GL-E/B/T3 GT-S451-1" 1/2 GT-S452-2" GT-D451-1" 1/4 GT-D452-1" 1/2 GT-S453-85 GT-S454-80 GT-S455-100 GT-D454-85 GT-D455-80 GT-D456-100 </div>																		From	to
				1	2	3	4	5	6	7	8	9	10	11	12	13	14	15	16	17	18		
1000	BURNER BODY																						
1020	COVER 520X423X337/AIR BOX EKEVO 6-7	65312332		●	●	●	●																
1030	SOUND INSULATION/AIRBOX 492X418X334/N6-7	65312333		●	●	●	●																
1040	AIR RECYCLING D306/222/200X105	65311490		●	●																		
	AIR RECYCLING D369/249/234X132	65311474				●	●																
1050	SIGHT GLASS 55X21	1180603227		●	●	●	●																
1060	COVER D61/55/SIGHT GLASS	1188052260		●	●	●	●																
1070	NUT M48X1,5	1180559591		●	●	●	●																
1080	FAN WHEEL D438/225X89 D28+PLATE D58/12	65311489		●	●																		
	FAN WHEEL D450/252X90 D38+PLATE D58/12	65311473				●																	
	FAN WHEEL D485/252X102 D38+PLATE D58/12	65311822					●																
1090	IGNITION TRANSFORMER EBI 1X11 230V	65311471		●	●	●	●																
1091	IGNITION TRANSFORMER EBI 2X7,5 230V	65310925		●	●	●	●																
1093	CLIP D22.5 FOR RAR 7/QRA2 PHOTOCCELL	65313375		●	●	●	●																
1094	PHOTOCCELL HOLDER UVZ/QRA/RAR D22.5 ALU	65312311		●	●	●	●																
1095	PHOTOCCELL QRA 2 FLANGE+COLLAR	13012980		●	●	●	●																
1100	MIRROR/SIGHT GLASS	65311472		●	●	●	●																
1110	AIR PRESS.SWITCH LGW 50 A2P 2,5-50MB	65311595		●	●	●	●																
1120	GASFLAP DN80 D127 CPL.+ACTUATOR STE	65312321		●	●	●	●																
1121	GASFLAP DN80 D127 CPL.	65312322		●	●	●	●																
1122	GAS ACTUAT. ASSB. STE4.5 B037/6-R 0,8NM	65312323		●	●	●	●																
1123	GROMMET DIM.34X15/12 D.6,2	65312458		●	●	●	●																
1150	ACTUATOR STE 4,5 Q3.51/6+CABLE L3000	65311650		●	●	●	●																
1160	ACTUATOR STE 4,5 B0.37/6-R + CABLE L600	65300527		●	●	●	●																
1161	COVER 125X79X73/ACTUATOR STE 4,5	65312327		●	●	●	●																
1170	MOTOR 3,0KW 230/400V D28 IE3 BLACK	65312555		●																			
	MOTOR 4,0KW 400/690V D28 IE BLACK	65312556			●																		
	MOTOR 5,5KW 400/690V D38 IE3 ELV	65312557				●																	
	MOTOR 7,5KW 400/690V D38 IE3 ELV BLACK	65312558					●																
1200	AIR FLAP ASSEMBLY	65312328		●	●	●	●																
1201	AIR FLAP DRIVING LEVER	65312331		●	●	●	●																
1202	CARDAN ROD D10X145 M6 AIR FLAP	65312330		●	●	●	●																
1203	SPINDLE / AIR FLAP D34/25X100 FLAT L55	65312329		●	●	●	●																
1204	SPINDLE / AIR FLAP D34/25X100 W.POINTER	65312459		●	●	●	●																
5000	ACCESSORIES																						
5035	SPEED SENSOR NAMUR NI5-G12-Y1+CABLE 5 MT	65312550		●	●	●	●																
5500	PHOTOCCELL FFS08-UV1 659D31 - 5M W/O	65312274		●	●	●	●																

CB-EKEVO6/7 GL-E

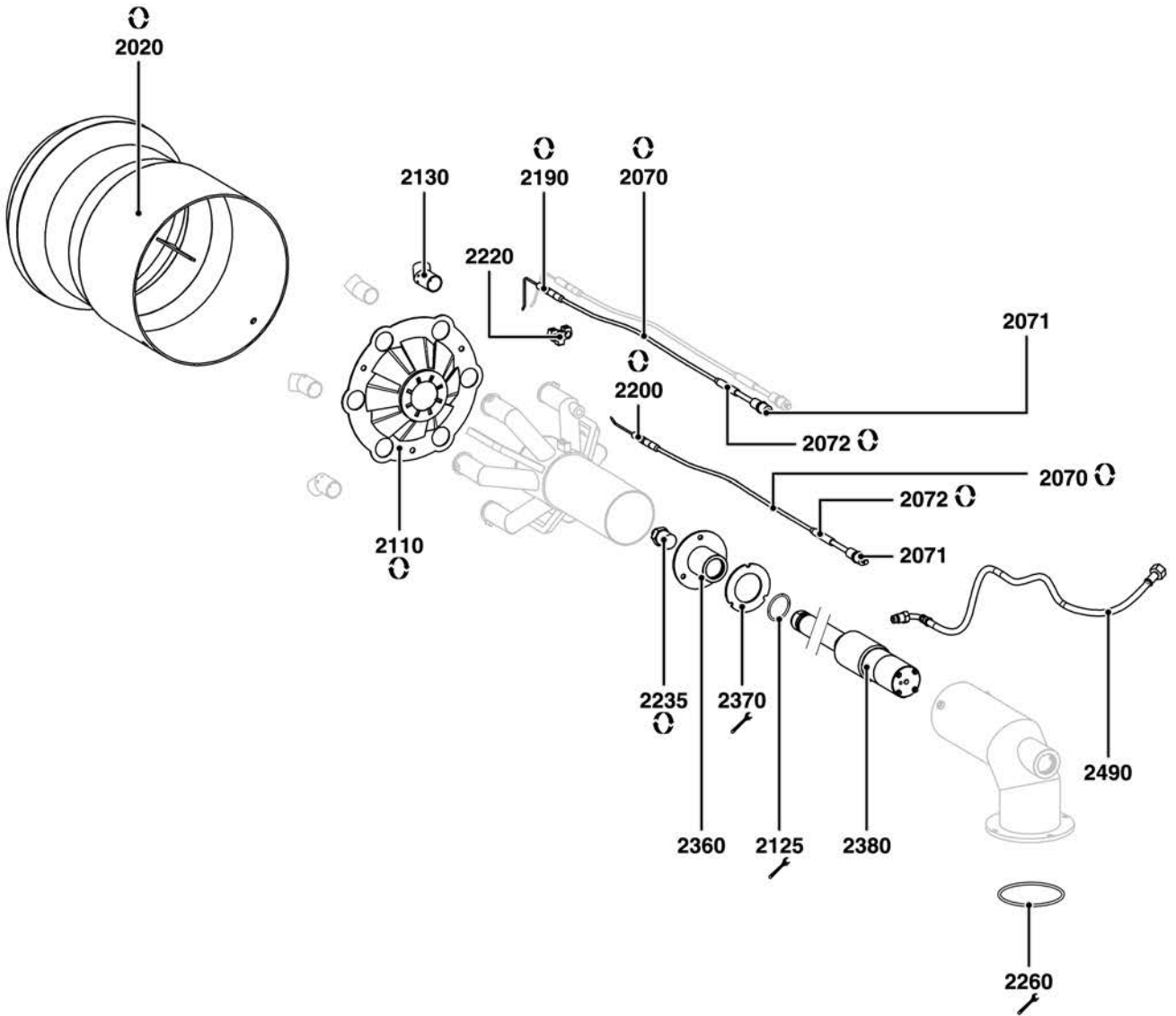
Dual-Fuel burner

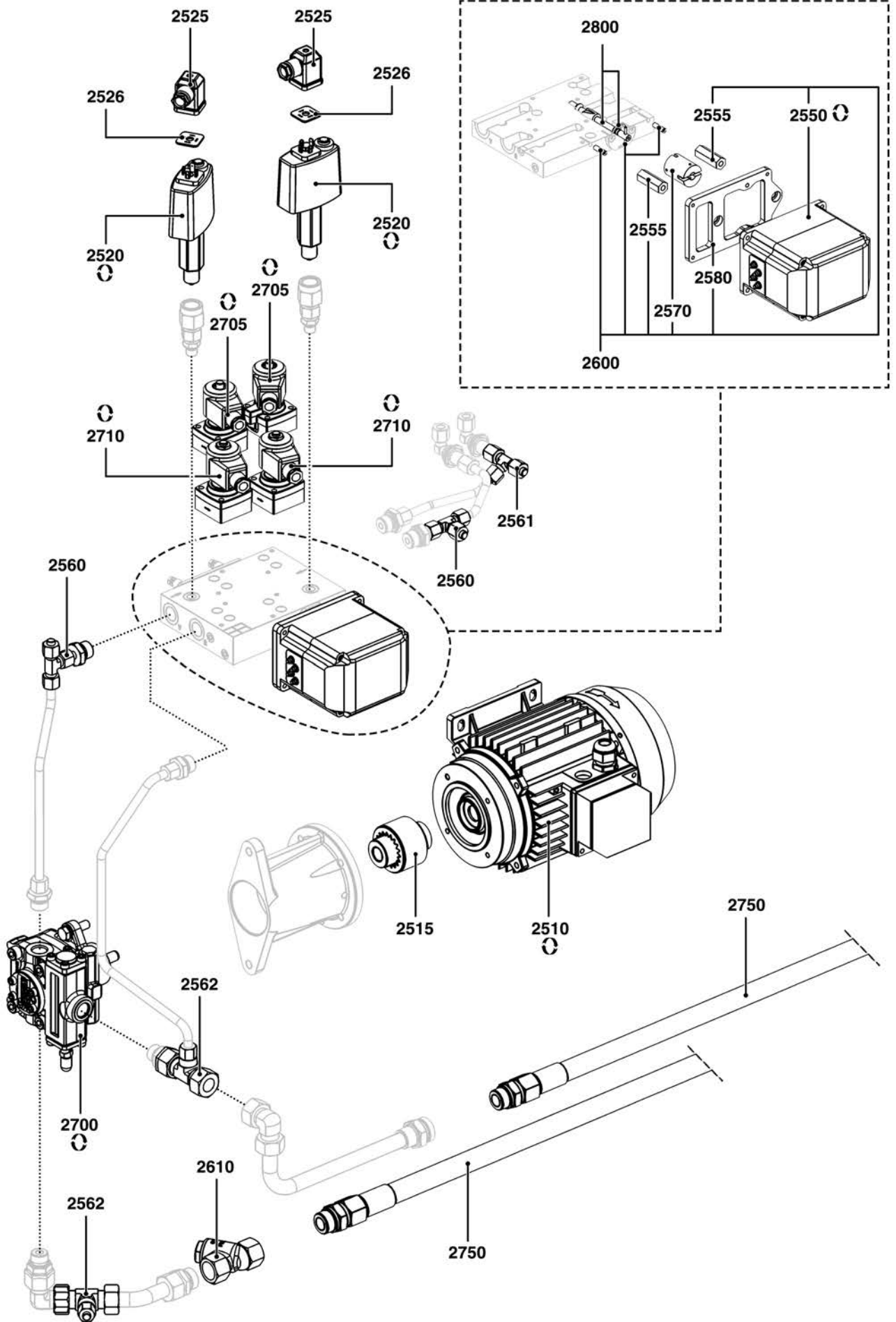


Description	Manf. Pt. N	Type	<div style="display: flex; justify-content: space-between; font-size: 8px; transform: rotate(-45deg);"> EKEVO 6-2400 GL-E/BT3 EKEVO 6-2900 GL-E/BT3 EKEVO 7-3800 GL-E/BT3 EKEVO 7-4800 GL-E/BT3 GT-S451-1"1/2 GT-S452-2" GT-D451-1"1/4 GT-D452-1"1/2 GT-S453-85 GT-S454-80 GT-S455-100 GT-D454-85 GT-D455-80 </div>																		From	to
			1	2	3	4	5	6	7	8	9	10	11	12	13	14	15	16	17	18		
1500 ELECTRIC PART																						
1510 COVER 374X621X331/ELECTRIC PANEL EKEVO	65312340		•	•	•	•																
1512 BLIND CAP/CONTROLLER 92X45 IP54	65312338		•	•	•	•																
1520 DISPLAY FOR CONTROL UNIT BT3XX	65326869		•	•	•	•																
1525 GASKET/DISPLAY 152/140X80/70X2	65311364		•	•	•	•																
1530 CONTROL UNIT BT340 GL-E	65312454		•	•	•	•																
1540 LCM100 MODULE (LSB-M 667R0500-1)	65311790		•	•	•	•																
1550 DFM300 MODULE (LSB-M 667R0600-1)	65311791		•	•	•	•																
1555 ADAPTER BT300/DFM300 RAST5	65311789		•	•	•	•																
1580 CIRCUIT BREAKER MOTOR SCH 0,75KW GV2ME07	65311945		•	•																		
CIRCUIT BREAKER MOTOR SCH 1,5KW GV2ME08	65311946				•	•																
1581 CIRCUIT BREAKER MOTOR SCH 3-4KW GV2ME14	65311794			•																		
CIRCUIT BREAKER MOTOR SCH 5,5KW GV2ME16	65312033				•																	
CIRCUIT BREAKER MOTOR SCH 7,5KW GV2ME20	65311776					•																
CIRCUIT BREAKER MOTOR SCH GV2ME10	64190721		•																			
1585 AUXILIARY CONTACT SCH GVA E11	65311795		•	•	•	•																
1595 CONTACTOR SCH LC1-D09P7 3-4KW	65311793		•	•	•	•																
1596 CONTACTOR SCH LC1-D09P7 3-4KW	65311793		•	•																		
CONTACTOR SCH LC1-D12P7 5,5KW	65312032				•																	
CONTACTOR SCH LC1-D18P7 7,5KW	65311947					•																
1600 WARNING LIGHT 32X22,5X21 COMELUX 0401S8S	65312334		•	•	•	•																
1601 SWITCH COM 2 POS. ON-ON 0401.1.DEV T2C2	65312335		•	•	•	•																
1604 SWITCH COM 2 POS. MOMENTARY 0401.1 T2C2	65312337		•	•	•	•																
1610 CABLE GLAND M16	65311451		•	•	•	•																
1611 CABLE GLAND M20	65311758		•	•	•	•																
1612 CABLE GLAND CLICK M25	65312852		•	•	•	•																
1699 CABLE CONNECT. BT300/LCM100 667P0515	65312244		•	•	•	•																
1700 OPERATING TOOL WAG 2009-309	65311446		•	•	•	•																
5000 ACCESSORIES																						
5002 CONTR. UNIT BT340 CUSTOMIZED SETTING	65312450		•	•	•	•																
CONTROL UNIT BT340 BASIC SETTING	65312447		•	•	•	•																
CONTROL UNIT BT340 GL-EF3+FRQ.CTRL	65312455		•	•	•	•																
5020 VSM100 MODULE (LSB-M 667R0200-1)	65311918		•	•	•	•																
5025 LAM CONSOLE F152 659G0501	65312275		•	•	•	•																
5042 RELAY FIN 38.61 8.240.5060 KLL 1W FZ	65311940		•	•	•	•																
5300 CONTROLLER RWF 55.50A9	65114033		•	•	•	•																

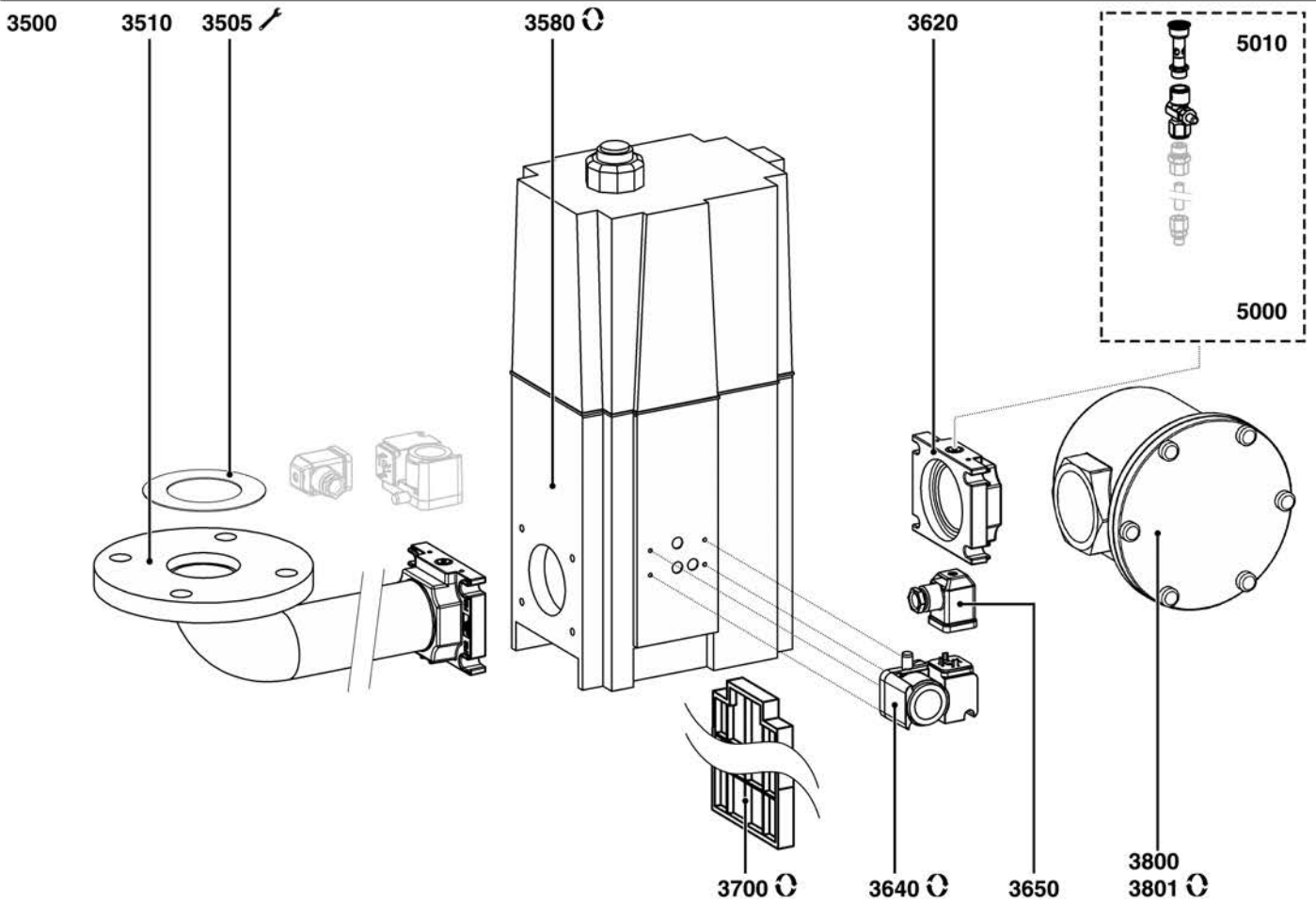
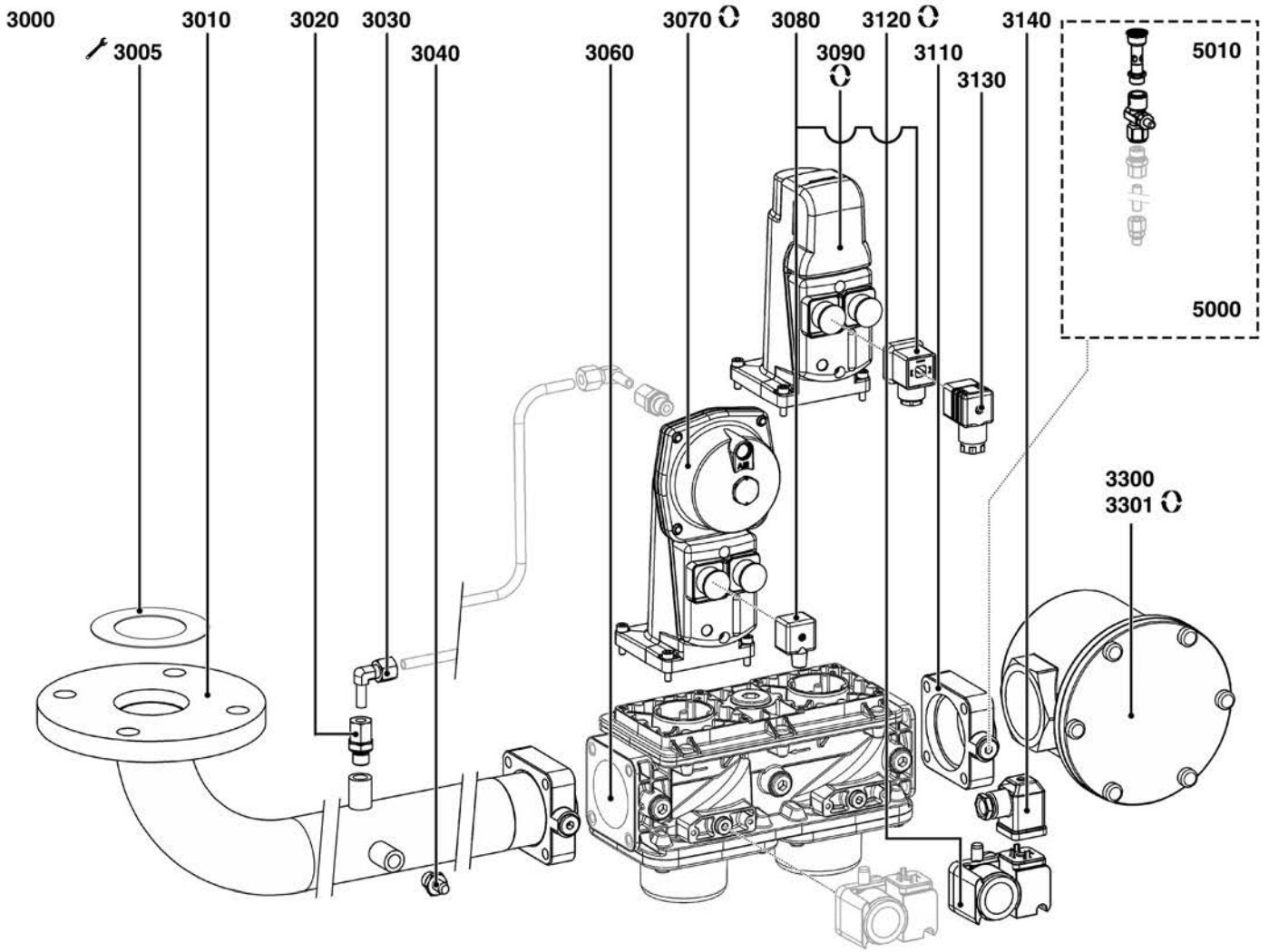
CB-EKEVO6/7 GL-E

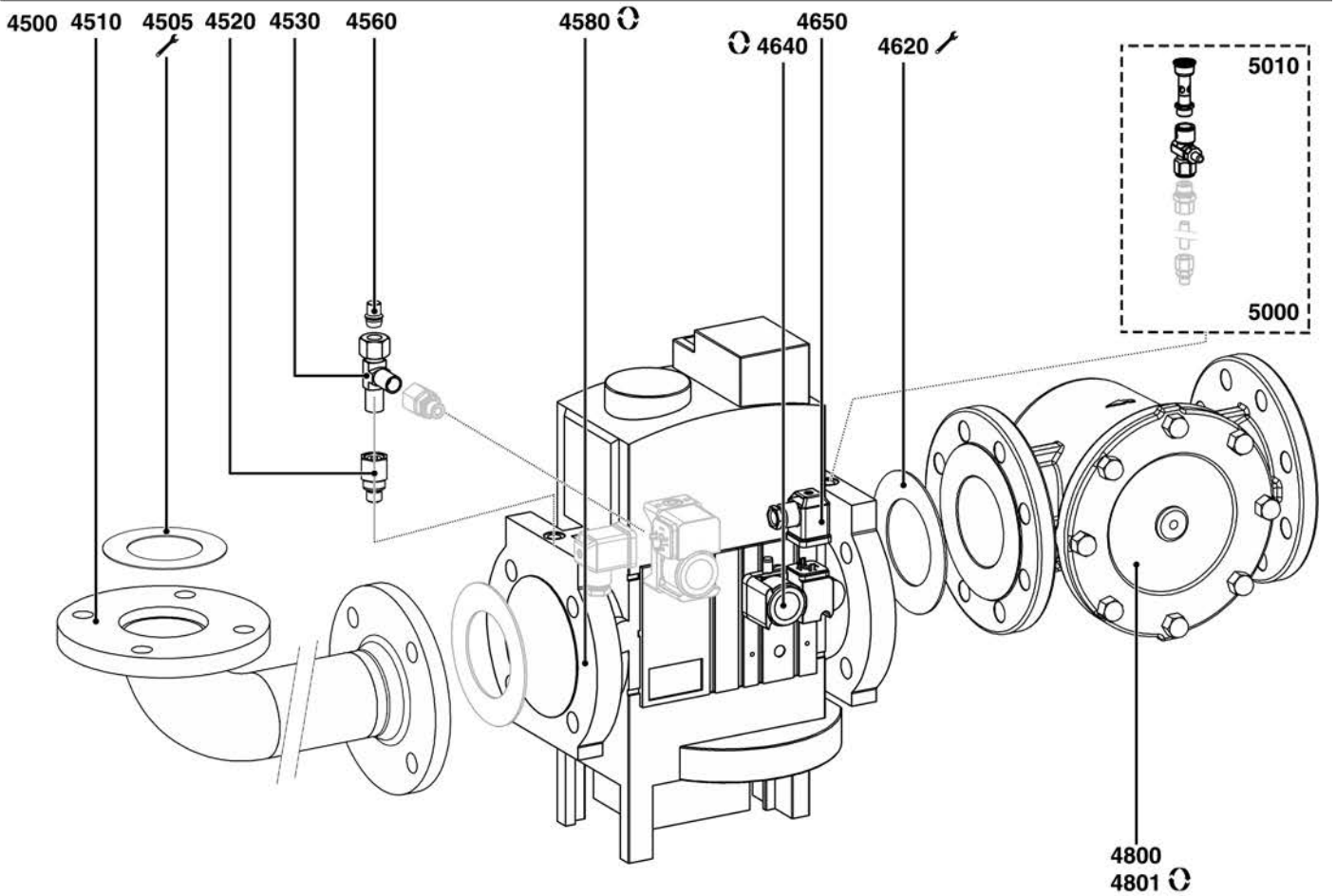
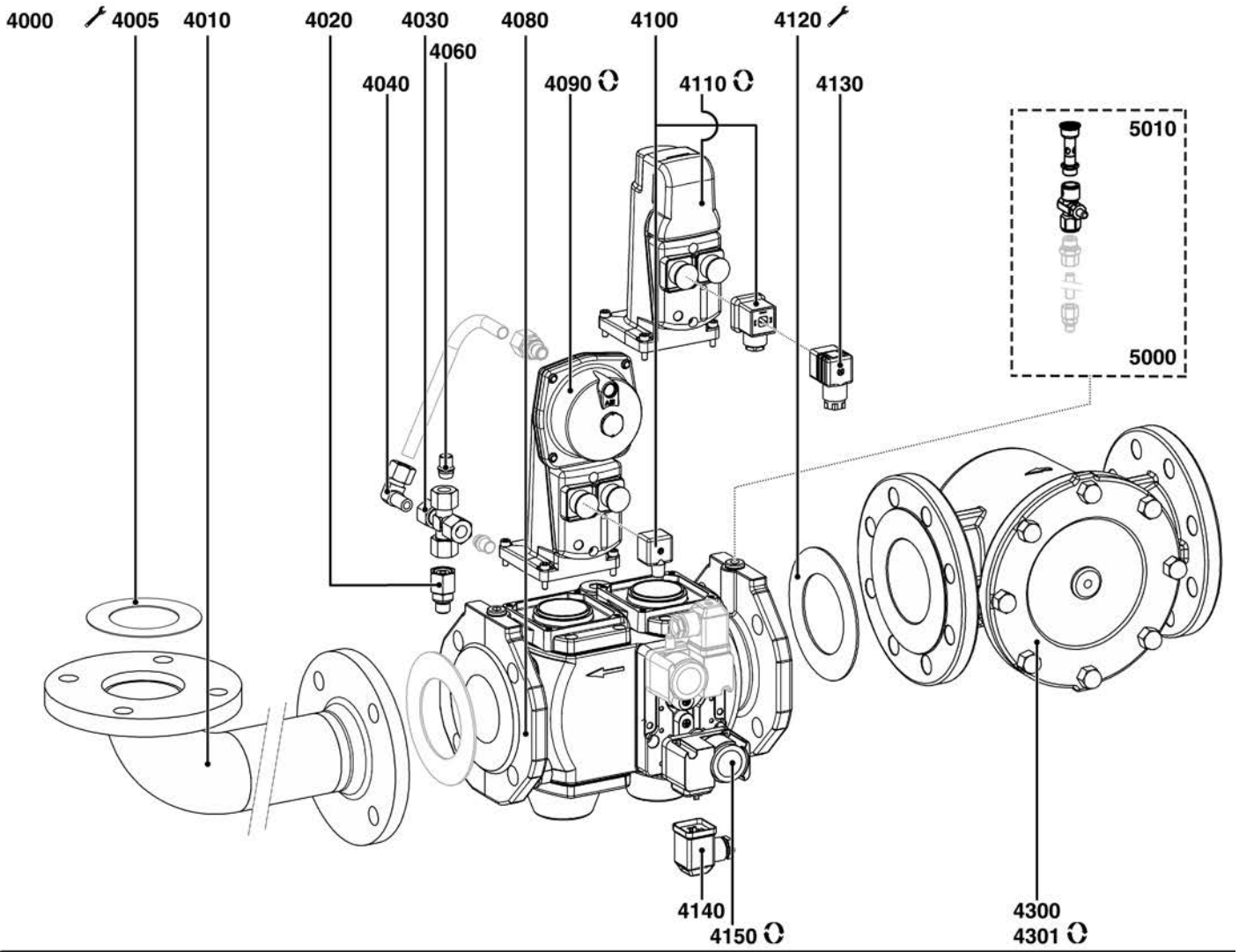
Dual-Fuel burner





☉⇒	Description	Manf. Pt. N	Type	<div style="display: flex; justify-content: space-between; font-size: small;"> EKEVO 6-2400 GL-E/B/T3 EKEVO 6-2900 GL-E/B/T3 EKEVO 7-3800 GL-E/B/T3 EKEVO 7-4800 GL-E/B/T3 GT-S451-1" 1/2 GT-S452-2" GT-D451-1" 1/4 GT-D452-1" 1/2 GT-S453-85 GT-S454-80 GT-S455-100 GT-D454-85 GT-D455-80 GT-D456-100 </div>																		From	to
				1	2	3	4	5	6	7	8	9	10	11	12	13	14	15	16	17	18		
2500	HYDRAULICS																						
2510	MOTOR 0,75KW 230/400V IE3 GMP	65311564		•	•																		
	MOTOR 1,1KW230/400V IE3 GMP	65311829				•																	
	MOTOR 1,5KW230/400V IE3 GMP IP55	65325517					•																
2520	OIL PRESS.SWITCH DSB 158 F931 0-25BAR	65312206		•	•	•	•																
2525	CONNECTOR HIRSCH GDMW3011 WITH SKIRT	65311615		•	•	•	•																
2526	GASKET GDM 3-21	65311616		•	•	•	•																
2550	ACTUATOR STE 4,5 Q3.51/6+CABLE L3000	65311650		•	•	•	•																
2555	SPACER HEX15X42 M6-M8	65311831		•	•	•	•																
2560	T-UNION P-TV 10 L	65313523		•	•	•	•																
2561	T-UNION P-ELVD 10 L	65312937		•	•	•	•																
2562	T-UNION P-TV18/18/10L	65312938		•	•	•	•																
2570	COUPLING D10/D8X38-90	65312935		•	•	•	•																
2580	PLATE ACTUATOR STE	65311412		•	•	•	•																
2600	ACTUATOR GR.HYD-BLOCK N6/7&EKEVO6/7E BT	65312934		•	•	•	•																
2610	OIL FILTER RP3/4 PN16	65311578		•	•	•	•																
2700	OIL PUMP HP UHE-A3-P-I-4-20	65311577		•	•																		
	OIL PUMP TA 4C 4010 7	65322994				•																	
	OIL PUMP TA 5C 30107	65311835					•																
2705	SOLEN. VALVE LUC 321F2523 P8 PG11 19W	13022666		•	•	•	•																
2710	SOLEN. VALVE LUC 121F2523 P8 PG11 19W	13022667		•	•	•	•																
2750	OIL HOSE DN20 M30-M30 L1500	13019342		•	•	•	•																
2800	CONTROL SHAFT 2.5 LEFT HAND.	65312299		•																			
	CONTROL SHAFT 3.0 LEFT HAND.	65312300			•																		
	CONTROL SHAFT 5.0 LEFT HAND.	65312302					•																
	CONTROL SHAFT 6.0 LEFT HAND.	65312303				•																	





		DE	FR	IT	X
		NL	ES		
1020	65312332	HAUBE 520X423X337/LUFTA-KASTEN EKEVO 6-7 KAP 520X423X337/LUCHTKAST EKEVO 6-7	CAPOT 520X423X337/BOITE AIR EKEVO 6-7 CUBIERTA 520X423X337/CAJA AIRE EKEVO 6-7	COFANO 520X423X337/CASSA ARIA EKEVO 6-7	1
1030	65312333	SCHALLISOLIERUNG/LUFTKASTEN 492X418X334 GELUIDSISOLATIE/LUCHTKAST 492X418X334	ISOLATION PHON./BOITE AIR 492X418X334 AISLAMIENTO ACUST./CAJA 492X418X334/N6-7	ISOLAZIONE FONICA/CASSA ARIA 492X418X334	1
1040	65311474	ANSAUGLUFTFÜHRUNG D369/249/234X132 LUCHTGELEIDING D369/249/234X132	RECYCLAGE AIR D369/249/234X132 RECICLAJE AIRE D369/249/234X132	CONVOGLIATORE ARIA D369/249/234X132	1
	65311490	ANSAUGLUFTFÜHRUNG D306/222/200X105 LUCHTGELEIDING D306/222/200X105	RECYCLAGE AIR D306/222/200X105 RECICLAJE AIRE D306/222/200X105	CONVOGLIATORE ARIA D306/222/200X105	1
1050	1180603227	SCHAUGLASS 55X21 KIJKGLASS 55X21	VOYANT DE FLAMME 55X21 VISORE DE LLAMA 55X21	VISORE DI FIAMMA 55X21	1
1060	1188052260	DECKEL D61/55/SCHAUGLASS DEKSEL D61/55/KIJKGLASS	COUVERCLE D61/55/VOYANT DE FLAMME TAPA D61/55/VISOR	COPERCHIO D61/55/VISORE	1
1070	1180559591	MUTTER M48X1,5 MOER M48X1,5	ECROU M48X1,5 TUERCA M48X1,5	DADO M48X1,5	1
1080	65311473	VENTILATORRAD D450/252X90-D38+ENTSCH.D58 VENTILATORWIEL D450/252X90 D38+PLATE D58	TURBINE D450/252X90 D38+PLAQUE D58/12 TURBINA D450/252X90 D38+PLACA D58/12	VENTOLA D450/252X90 D38+PIASTRA D58/12	1
	65311489	VENTILATORRAD D438/225X89-D28+ENTSCH.D58 VENTILATORWIEL D438/225X89 D28+PLATE D58	TURBINE D438/225X89 D28+PLAQUE D58/12 TURBINA D438/225X89 D28+PLACA D58/12	VENTOLA D438/225X89 D28+PIASTRA D58/12	1
	65311822	VENTILATORRAD D485/252X102-D38+ENTSC.D58 VENTILATORWIEL D485/252X102D38+PLATE D58	TURBINE D485/252X102 D38+PLAQUE D58/12 TURBINA D485/252X102 D38+PLACA D58/12	VENTOLA D485/252X102 D38+PIASTRA D58/12	1
1090	65311471	ZUENDTRAFO EBI 1X11 230V ONTSTEKINGSTRAFO EBI 1X11 230V	ALLUMEUR EBI 1X11 230V ENCENDEADOR EBI 1X11 230V	TRASFORMATORE ACCENSIONE EBI 1X11 230V	1
1091	65310925	ZUENDTRAFO EBI 2X7,5 230V ONTSTEKINGSTRAFO EBI 2X7,5 230V	ALLUMEUR EBI 2X7,5 230V ENCENDEADOR EBI 2X7,5 230V	TRASFORMATORE ACCENSIONE EBI 2X7,5 230V	1
1093	65313375	KLAMMER D22.5 ZU FOTOZELLE RAR 7/QRA 2 STUJGEBUEGL FOTOCEL D22.5 RAR 7/QRA 2	ETRIER CELLULE D22.5 POUR RAR 7/QRA 2 ESTRIBO CELULA D22.5 PARA RAR 7/QRA 2	STAFFA FOTOCELLULA D22.5 PER RAR7/QRA2	1
1094	65312311	FLANSCH FOTOZELLENHALTER D22.5 ALU HOUDER FOTOCEL UVZ/QRA/RAR D22.5 ALU	SUPPORT CELLULE UVZ/QRA/RAR D22.5 ALU SOPORTE CELULA UVZ/QRA/RAR D22.5 ALU	SUPPORTO FOTOCELL. UVZ/QRA/RAR D22.5 ALLU	1
1095	13012980	FOTOZELLE QRA 2 FLANSCH+COLLAR FOTOCEL QRA 2 FLENS+COLLAR	CELLULE QRA 2 BRIDE+COLLIER CELULA QRA 2 BRIDA+COLLAR	FOTOCELLULA QRA 2 FLANGIA+COLLAR	1
1100	65311472	SICHTSPIEGEL FÜR SCHAUGLAS SPIEGEL/KIJKGLAS	MIROIR/REGARD ESPEJO/MIRILLA	SPECCHIO/SPIONCINO	1
1110	65311595	DRUCKWAECHTER LGW 50 A2P 2,5-50MBAR DRUKSCHAKELAAR LGW 50 A2P 2,5-50MBAR	MANOSTAT AIR LGW 50 A2P 2,5-50MB PRESOSTATO AIRE LGW 50 A2P 2,5-50MB	PRESSOSTATO ARIA LGW 50 A2P 2,5-50MB	1
1120	65312321	GASKLAPPE DN80 D127 CPL+STELLANTRIEB STE GASKLEP DN80 D127 CPL.+REGELMOTOR STE	CLAPET GAZ DN80 D127 CPL+SERVOMOTEUR STE VALVULA GAS DN80 D127 CPL+SERVOMOTOR STE	VALVOLA FARFALLA DN80 D127+SERVOMOT. STE	1
1121	65312322	GASKLAPPE DN80 D127 CPL. GASKLEP DN80 D127 CPL.	CLAPET GAZ DN80 D127 CPL. VALVULA DE GAS DN80 D127 CPL.	VALVOLA FARFALLA DN80 D127 CPL.	1
1122	65312323	GASSTELLANTRIEB BG STE4.5 B037/6-R 0,8NM SERVOMOT. GAS KPL.STE4.5 B037/6-R 0.8 NM	SERVOMOT. GAZ CPL.STE4.5 B037/6-R 0,8NM SERVOMOT. GAS EQ. STE4.5 B037/6-R 0,8NM	SERVOMOT. GAS EQ. STE4.5 B037/6-R 0.8 NM	1
1123	65312458	KABELDURCHFUEHRUNG DIM.34X15/12 D.6,2 DRAADDOORVOER DIM.34X15/12 D.6,2	PASSE-FIL DIM.34X15/12 D.6,2 PASACABLE DIM.34X15/12 D.6,2	PASSA FILO DIM.34X15/12 D.6,2	1
1150	65311650	STELLANTRIEB STE 4,5 Q3.51/6+KABEL L3000 SERVOMOTOR STE 4,5 Q3.51/6+KABEL L3000	SERVOMOTEUR STE 4,5 Q3.51/6+CABLE L3000 SERVOMOTOR STE 4,5 Q3.51/6+CABLE L3000	SERVOMOTORE STE 4,5 Q3.51/6+CAVO L3000	1
1160	65300527	STELLANTR. STE4,5 B0.37/6-R M.KABEL L600 REGELMOTOR STE 4,5 B0.37/6-R +KABEL L600	SERVOMOTEUR STE4,5 B0.37/6-R +CABLE L600 SERVOMOTOR STE 4,5 B037/6 R+CABLE L600	SERVOMOTORE STE 4,5 B0.37/6-R +CAVO L600	1
1161	65312327	HAUBE 125X79X73/STELLANTRIEB STE 4,5 KAP 125X79X73/REGELMOTOR STE 4,5	CAPOT 125X79X73/SERVOMOTEUR STE 4,5 CUBIERTA 125X79X73/SERVOMOTOR STE 4,5	COFANO 125X79X73/SERVOMOTORE STE 4,5	1
1170	65312555	MOTOR 3,0KW 230/400V D28 IE3 SCHWARZ MOTOR 3,0KW 230/400V D28 IE3 ZWART	MOTEUR 3,0KW 230/400V D28 IE3 NOIR MOTOR 3,0KW 230/400V D28 IE3 NEGRO	MOTORE 3,0KW 230/400V D28 IE3 NERO	1
	65312556	MOTOR 4,0KW 400/690V D28 IE3 SCHWARZ MOTOR 4,0KW 400/690V D28 IE3 ZWART	MOTEUR 4,0KW 400/690V D28 IE3 NOIR MOTOR 4,0KW 400/690V D28 IE3 NEGRO	MOTORE 4,0KW 400/690V D28 IE3 NERO	1
	65312557	MOTOR 5,5KW 400/690V D38 IE3 ELV MOTOR 5,5KW 400/690V D38 IE3 ELV	MOTEUR 5,5KW 400/690V D38 IE3 ELV MOTOR 5,5KW 400/690V D38 IE3 ELV	MOTORE 5,5KW 400/690V D38 IE3 ELV	1
	65312558	MOTOR 7,5KW 400/690V D38 IE3 ELV SCHWARZ MOTOR 7,5KW 400/690V D38 IE3 ELV ZWART	MOTEUR 7,5KW 400/690V D38 IE3 ELV NOIR MOTOR 7,5KW 400/690V D38 IE3 ELV NEGRO	MOTORE 7,5KW 400/690V D38 IE3 ELV NERO	1
1200	65312328	LUFTKLAPPE BG COMPLETE LUCHTKLEP	VOLET D'AIR EQUIPE VÁLVULA DE AIRE EQUIPADA	SERRANDA DELL'ARIA EQUIPAGGIATA	1
1201	65312331	ANTRIEBHEBEL/LUFTKLAPPE AANDRIJFHEDEL/LUCHTKLEP	LEVIER ENTRAINEMENT/VOLET AIR PALANCA DE ACCIONAMIENTO/VÁLVULA AIRE	LEVA AZIONAMENTO/SERRANDA DELL'ARIA	1
1202	65312330	GELENKSTANGE D10X145 M6 LUFTKLAPPE DRIJFSTANG D10X145 M6 LUCHTKLEP	BIELLETTTE D10X145 M6 VOLET AIR BIELETA D10X145 M6 VALVULA AIRE	BIELLA D10X145 M6 SERRANDA ARIA	1
1203	65312329	WELLE / LUFTKLAPPE D34/25X100 FLAT L55 AS / LUCHTKLEP D34/25X100 FLAT L55	AXE / VOLET AIR D34/25X100 PLAT L55 EJE / VALVULA AIRE D34/25X100 FLAT L55	PERNO/SERRANDA ARIA D34/25X100 PIATO L55	1
1204	65312459	WELLE / LUFTKLAPPE D34/25X100 M.ZEIGER AS / LUCHTKLEP D34/25X100 MET WIJZER	AXE / VOLET AIR D34/25X100 AV.INDEX EJE / VALVULA AIRE D34/25X100 C. PUNTERO	PERNO/SERRANDA ARIA D34/25X100 C.INDICE	1
1510	65312340	DECKEL 374X621X331/SCHALTSCHRANK EKEVO DEKSEL 374X621X331/ELEKTRIS.KAST EKEVO	COUVERCLE 374X621X331/ARMARIO ELEC.EKEVO TAPA 374X621X331/ARMARIO ELECTRICO EKEVO	COPERCHIO 374X621X331/QUADRO ELETT.EKEVO	1
1512	65312338	BLINDDECKEL/REGLER 92X45 IP54 AFSLUITER/REGLAAR 92X45 IP54	OBTURATEUR REGULATEUR 92X45 IP54 CONJUNTO/REGULADOR 92X45 IP54	OTTURATORE/REGOLATORE 92X45 IP54	1
1520	65326869	ANZEIGE FUR FEUERUNGSAUTOMAT BT3XX DISPLAY VOOR BRANDERAUTOMAAT BT3XX	AFFICHEUR POUR COFFRET BT3XX PANTALLA PARA PROGRAMADOR BT3XX	DISPLAY PER APPARECCHIATURA BT3XX	1

		DE		FR		IT		
		NL		ES				
1525	65311364	DICHTUNG/ANZEIGE 152/140X80/70X2 PAKKING/DISPLAY 152/140X80/70X2		JOINT/AFFICHEUR 152/140X80/70X2 JUNTA/PANTALLA 152/140X80/70X2		GUARNIZIONE/DISPLAY 152/140X80/70X2		1
1530	65312454	FEUERUNGSAUTOMAT BT340 GL-E BRANDERAUTOMAAT BT340 GL-E		COFFRET BT340 GL-E PROGRAMADOR BT340 GL-E		APPARECCHIATURA BT340 GL-E		1
1540	65311790	LCM100 (LSB-M 667R0500-1) LCM100-MODULE (LSB-M 667R0500-1)		MODULE LCM100 (LSB-M 667R0500-1) MÓDULO LCM100 (LSB-M 667R0500-1)		MODULO LCM100 (LSB-M 667R0500-1)		1
1550	65311791	DFM300 (LSB-M 667R0600-1) DFM300-MODULE (LSB-M 667R0600-1)		MODULE DFM300 (LSB-M 667R0600-1) MÓDULO DFM300 (LSB-M 667R0600-1)		MODULO DFM300 (LSB-M 667R0600-1)		1
1555	65311789	ADAPTER BT300/DFM300 RAST5 ADAPTER BT300/DFM300 RAST5		ADAPTATEUR BT300/DFM300 RAST5 ADAPTADOR BT300/DFM300 RAST5		ADATTATORE BT300/DFM300 RAST5		1
1580	65311945	MOTORSCHUTZSCHALTER SCH 0,75KW GV2ME07 VERMOGENSCHAKEL.MOTOR SCH 0,75KW GV2ME07		DISJONCTEUR MOTEUR SCH 0,75KW GV2ME07 DISYUNTOR MOTOR SCH 0,75KW GV2ME07		DISJIUNTORE MOTORE SCH 0,75KW GV2ME07		1
	65311946	MOTORSCHUTZSCHALTER SCH1,1-1,5KW GV2ME08 VERMOGENSCHAKEL.MOTOR SCH 1,1-1,5KW GV2ME08		DISJONCTEUR MOTEUR SCH 1,1-1,5KW GV2ME08 DISYUNTOR MOTOR SCH 1,1-1,5KW GV2ME08		DISJIUNTORE MOTORE SCH 1,1-1,5KW GV2ME08		1
1581	64190721	MOTORSCHUTZSCHALTER SCH GV2ME10 VERMOGENSCHAKEL. MOTOR SCH GV2ME10		DISJONCTEUR MOTEUR SCH GV2ME10 DISYUNTOR MOTOR SCH GV2ME10		DISJIUNTORE MOTORE SCH GV2ME10		1
	65311776	MOTORSCHUTZSCHALTER SCH 7,5KW GV2ME20 VERMOGENSCHAKEL.MOTOR SCH 7,5KW GV2ME20		DISJONCTEUR MOTEUR SCH 7,5KW GV2ME20 DISYUNTOR MOTOR SCH 7,5KW GV2ME20		DISJIUNTORE MOTORE SCH 7,5KW GV2ME20		1
	65311794	MOTORSCHUTZSCHALTER SCH 3-4KW GV2ME14 VERMOGENSCHAKEL. MOTOR SCH 3-4KW GV2ME14		DISJONCTEUR MOTEUR SCH 3-4 KW GV2ME14 DISYUNTOR MOTOR SCH 3-4KW GV2ME14		DISJIUNTORE MOTORE SCH 3-4KW GV2ME14		1
	65312033	MOTORSCHUTZSCHALTER SCH 5,5KW GV2ME16 VERMOGENSCHAKEL.MOTOR SCH 5,5KW GV2ME16		DISJONCTEUR MOTEUR SCH 5,5KW GV2ME16 DISYUNTOR MOTOR SCH 5,5KW GV2ME16		DISJIUNTORE MOTORE SCH 5,5KW GV2ME16		1
1585	65311795	HILFSKONTAKT SCH GVA E11 HULPSCHAKELAAR SCH GVA E11		CONTACT AUXILLIAIRE SCH GVA E11 INTERRUPTOR AUXILIAR SCH GVA E11		CONTATTO AUSILIARIO SCH GVA E11		1
1595	65311793	SCHALTSCHUETZE SCH LC1-D09P7 3-4KW CONTACTOR SCH LC1-D09P7 3-4KW		CONTACTEUR SCH LC1-D09P7 3-4KW CONTACTOR SCH LC1-D09P7 3-4KW		CONTATTORE SCH LC1-D09P7 3-4KW		1
1596	65311793	SCHALTSCHUETZE SCH LC1-D09P7 3-4KW CONTACTOR SCH LC1-D09P7 3-4KW		CONTACTEUR SCH LC1-D09P7 3-4KW CONTACTOR SCH LC1-D09P7 3-4KW		CONTATTORE SCH LC1-D09P7 3-4KW		1
	65311947	SCHALTSCHUETZE SCH LC1-D18P7 7,5KW CONTACTOR SCH LC1-D18P7 7,5KW		CONTACTEUR SCH LC1-D18P7 7,5KW CONTACTOR SCH LC1-D18P7 7,5KW		CONTATTORE SCH LC1-D18P7 7,5KW		1
	65312032	SCHALTSCHUETZE SCH LC1-D12P7 5,5KW CONTACTOR SCH LC1-D12P7 5,5KW		CONTACTEUR SCH LC1-D12P7 5,5KW CONTACTOR SCH LC1-D12P7 5,5KW		CONTATTORE SCH LC1-D12P7 5,5KW		1
1600	65312334	KONTROLLLEUCHE 32X22,5X21 COME.0401S 8S CONTROLELAMIJE 32X22,5X21 COME.0401S 8S		VOYANT LUMINEUX 32X22,5X21 COME.0401S 8S TESTIGO 32X22,5X21 COMELUX 0401.S 8S		LAMPADIE SPIA 32X22,5X21 COMELUX 0401S 8S		1
1601	65312335	SCHALTER COM 2POS. ON-ON 0401.1.DEV T2C2 SCHAKELAAR COM 2POS. ON-ON 0401.1.DEV T2		INTERRUPTEUR 2POS. ON-ON 0401.1.DEV T2C2 INTERRUPTOR 2 POS. ON-ON 0401.1.DEV T2C2		INTERUTTORE 2 POS. ON-ON 0401.1.DEV T2C		1
1604	65312337	SCHALTER COM 2POS. MOMENTARY 0401.1 T2C2 SCHAKELAAR 2 POS. MOMENT.0401.1 T2C2		INTERRUPTEUR 2 POS. MOMENT. 0401.1 T2C2 INTERRUPTOR 2 POS. MOMENT. 0401.1 T2C2		INTERUTTORE 2 POS. MOMENT. 0401.1 T2C2		1
1610	65311451	KABELVERSCHRAUBUNG M16 PAKKINGBUS M16		PRESSE-ETOUPE M16 PRENSAESTOPAS M16		PREMISTOPPA M16		1
1611	65311758	KABELVERSCHRAUBUNG M20 PAKKINGBUS M20		PRESSE-ETOUPE M20 PRENSAESTOPAS M20		PREMISTOPPA M20		1
1612	65312852	KABELVERSCHRAUBUNG CLICK M25 PAKKINGBUS CLICK M25		PRESSE-ETOUPE CLICK M25 PRENSAESTOPAS CLICK M25		PREMISTOPPA CLICK M25		1
1699	65312244	KABEL ANSCHLUSS BT300/LCM100 667P0515 KABEL ANSCHLUSS BT300/LCM100 667P0515		CABLE LIAISON BT300/LCM100 667P0515 CABLE DE CONEXION BT300/LCM100 667P0515		CAVO COLLEGA BT300/LCM100 667P0515		1
1700	65311446	WAG BETAETIGUNGSWERKZEUG 2009-309 BEDIENINGSGEREEDSCHAP WAG 2009-309		OUTIL DE MANOEUVRE WAG 2009-309 HERRAMIENTA D.ACCIONAM. WAG 2009-309		DISPOSITIVO DI MANOVRA WAG 2009-309		1
2020	65311851	BRENNERROHR D263/310/265 L380 BRANDERBUIJS D263/310/265 L380		TUBE DE FLAMME D263/310/265 L380 TUBO DE LLAMA D263/310/265 L380		BOCCAGLIO D263/310/265 L380		1
	65311852	BRENNERROHR D263/310/265 L500 BRANDERBUIJS D263/310/265 L500		TUBE DE FLAMME D263/310/265 L500 TUBO DE LLAMA D263/310/265 L500		BOCCAGLIO D263/310/265 L500		1
	65311853	BRENNERROHR D263/310/265 L620 BRANDERBUIJS D263/310/265 L620		TUBE DE FLAMME D263/310/265 L620 TUBO DE LLAMA D263/310/265 L620		BOCCAGLIO D263/310/265 L620		1
	65312875	FLAMMENROHR D263/240/290/250 L500 EDELS. BRANDERBUIJS D263/240/290/250 L500 INOX		TUBE DE FLAMME D263/240/290/250 L500 INO TUBO DE LLAMA D263/240/290/250 L500 INOX		BOCCAGLIO D263/240/290/250 L500 INOSS.		1
	65312910	FLAMMENROHR D263/240/290/250 L380 EDELS. BRANDERBUIJS D263/240/290/250 L380 INOX		TUBE DE FLAMME D263/240/290/250 L380 INO TUBO DE LLAMA D263/240/290/250 L380 INOX		BOCCAGLIO D263/240/290/250 L380 INOSS.		1
	65312912	FLAMMENROHR D263/240/290/250 L620 EDEL. BRANDERBUIJS D263/240/290/250 L620 INOX		TUBE DE FLAMME D263/240/290/250 L620INOX TUBO DE LLAMA D263/240/290/250 L620 INOX		BOCCAGLIO D263/240/290/250 L620 INOX		1
	65312913	FLAMMENROHR D323.5/275/340/280 L425 BRANDERBUIJS D323.5/275/340/280 L425		TUBE DE FLAMME D323.5/275/340/280 L425 TUBO DE LLAMA D323.5/275/340/280 L425		BOCCAGLIO D323.5/275/340/280 L425		1
	65312914	FLAMMENROHR D323.5/275/340/280 L555 BRANDERBUIJS D323.5/275/340/280 L555		TUBE DE FLAMME D323.5/275/340/280 L555 TUBO DE LLAMA D323.5/275/340/280 L555		BOCCAGLIO D323.5/275/340/280 L555		1
	65312915	FLAMMENROHR D323.5/275/340/280 L685 BRANDERBUIJS D323.5/275/340/280 L685		TUBE DE FLAMME D323.5/275/340/280 L685 TUBO DE LLAMA D323.5/275/340/280 L685		BOCCAGLIO D323.5/275/340/280 L685		1
	65312916	FLAMMENROHR D324/370/310 L425 BRANDERBUIJS D324/370/310 L425		TUBE DE FLAMME D324/370/310 L425 TUBO DE LLAMA D324/370/310 L425		BOCCAGLIO D324/370/310 L425		1
	65312917	FLAMMENROHR D324/370/310 L555 BRANDERBUIJS D324/370/310 L555		TUBE DE FLAMME D324/370/310 L555 TUBO DE LLAMA D324/370/310 L555		BOCCAGLIO D324/370/310 L555		1
	65312918	FLAMMENROHR D324/370/310 L685 BRANDERBUIJS D324/370/310 L685		TUBE DE FLAMME D324/370/310 L685 TUBO DE LLAMA D324/370/310 L685		BOCCAGLIO D324/370/310 L685		1

		 	 	 	
2070	65313731	KABEL FZLSI 1X1,00Q-CU/SILIKON ONTSTEKINGSKAB.FZLSI 1X1,00Q-CU/SILICONE	CABLE ALLUMAGE FZLSI 1X1,00Q-CU/SILICONE CABLE ENCENDI. FZLSI 1X1,00Q-CU/SILICONA	CAVO ACCENSIO. FZLSI 1X1,00Q-CU/SILICONE	1
2071	65311374	RUNDSTECKER D6,4/ZUENDKABEL RONDJE MANN.CONNECT.D6.4/ONTSTEKINGSKAB.	CONNECTEUR ROND MALE D6,4/CABLE ALLUMAGE CONECT.MACHO REDOND.D6.4/CABLE ENCENDIDO	CONNETT.MASCH. ROTONDO D6.4/CAVO ACCENS.	1
2072	13013226	ENTSTOERMUFFE HE1 1KOHM D10X52.5 ONTSTOORST.ONTSTEKINGSKAB.1KOHM D10X52.5	RESISTANCE ANTI-PARASITE 1KOHM D10X52.5 RESIST.SUPPRES.INTERFEREN. 1KOHM D10X52.5	RESISTORE ANTIRADIODIST. 1KOHM D10X52.5	1
2110	65311860	STAUSCHEIBE D238/45X36,5 8SL 6DRIL. STUWPLAAT D238/45X36,5 8SL 6DRIL.	DEFLECTEUR D238/45X36,5 8SL 6DRIL. DEFLECTOR D238/45X36,5 8SL 6DRIL.	DIFFUSORE D238/45X36,5 8SL 6DRIL.	1
	65311861	STAUSCHEIBE D280/62 12SL 6DRIL. STUWPLAAT D280/62 12SL 6DRIL.	DEFLECTEUR D280/62 12SL 6DRIL. DEFLECTOR D280/62 12SL 6DRIL.	DIFFUSORE D280/62 12SL 6DRIL.	1
2125	65311454	O-RING D30X4 O-RING D30X4	O-RING D30X4 O-RING D30X4	O-RING D30X4	1
2130	65311862	GASDUESE D25/16 L40 5 BO.D3 45° EDELSTAH GAS VERSPR.D25/16 L40 5 BO.D3 45° INOX	DIFFUS.GAZ D25/16 L40 5 PERC.D3 45° INOX DIFUSOR GAS D25/16 L40 5 PERF.D3 45°INOX	INIET.GAS D25/16 L40 5 FORO D3 45°INOSS.	1
	65311863	GASDUESE D25/18 L40 5 BO.D3 45° EDELSTAH GAS VERSPR.D25/18 L40 5 BO.D3 45° INOX	DIFFUS.GAZ D25/18 L40 5 PERC.D3 45° INOX DIFUSOR GAS D25/18 L40 5 PERF.D3 45°INOX	INIET.GAS D25/18 L40 5 FORO D3 45°INOSS.	1
2190	65311469	ZUENDELEKTRODE D9,2X50 D3X86 50° L150 d4 ONTSTEKINGSPEN D9,2X50 D3X86 50° L150 d4	ELECTRODE ALL.D9,2X50 D3X86 50° L150 d4 ELECTROD.ENCEN.D9,2X50 D3X86 50° L150 d4	ELETTROD.ACCEN.D9,2X50 D3X86 50° L150 d4	1
2200	65310990	ZUENDELEKTRODE D9X50 D3X71 20° L150 D4 ONTSTEKINGSPEN D9X50 D3X71 20° L150 D4	ELECTRODE ALL.D9X50 D3X71 20° L150 D4 ELECTROD.ENCEN.D9X50 D3X71 20° L150 D4	ELETTROD.ACCEN.D9X50 D3X71 20° L150 D4	1
2220	65311555	HALTER FÜR ZÜNDELEKTRODEN (OEL) STEUN ONTSTEKINGSPEN (OLIE)	SUPPORT ELECTRODE ALLUMAGE (FIOUL) SOPORTE ELECTRODO ENCENDIDO (GASOLEO)	SUPPORTO ELETTRODO ACCENSIONE (GASOLIO)	1
2235	65311393	DUESE FLU 180 KG 50° W2 NOZZLE FLU 180 KG 50° W2	GICLEUR FLU 180 KG 50° W2 BOQUILLA FLU 180 KG 50° W2	UGELLO FLU 180 KG 50° W2	1
	65312605	DUESE FLU 250 KG 50° W2 NOZZLE FLU 250 KG 50° W2	GICLEUR FLU 250 KG 50° W2 BOQUILLA FLU 250 KG 50° W2	UGELLO FLU 250 KG 50° W2	1
	65323551	DUESE FLU 400 KG 50° W2 NOZZLE FLU 400 KG 50° W2	GICLEUR FLU 400 KG 50° W2 BOQUILLA FLU 400 KG 50° W2	UGELLO FLU 400 KG 50° W2	1
	65323552	DUESE FLU 450 KG 50° W2 NOZZLE FLU 450 KG 50° W2	GICLEUR FLU 450 KG 50° W2 BOQUILLA FLU 450 KG 50° W2	UGELLO FLU 450 KG 50° W2	1
2260	65311491	O-RING 6387D97,79X5,33 NBR O-RING 6387D97,79X5,33 NBR	O-RING 6387D97,79X5,33 NBR O-RING 6387D97,79X5,33 NBR	O-RING 6387D97,79X5,33 NBR	1
2360	65311864	FUEHRUNG D-STANGE SPROEIERLIJNE GELEIDEN	GUIDE LIGNE GICLEUR GUIA LÍNEA DE BOQUILLA	GUIDA LINEA UGELLO	1
2370	65321060	DICHTUNG/GASROHR D74/45X3 PAKKING/GASBUIS D74/45X3	JOINT/TUBE GAZ D74/45X3 JUNTA/TUBERIA GAS D74/45X3	GUARNIZIONE/TUBO GAS D74/45X3	1
2380	65311815	DÜSENSTANGE RDN 1D 7/8ZD30 L900 SPROEIERLIJNE RDN 1D 7/8ZD30 L900	LIGNE GICLEUR RDN 1D 7/8ZD30 L900 LÍNEA DE BOQUILLA RDN 1D 7/8ZD30 L900	LINEA UGELLO RDN 1D 7/8ZD30 L900	1
	65311866	DÜSENSTANGE L664 1D 7/8Z SPROEIERLIJNE L664 1D 7/8Z	LIGNE GICLEUR L664 1D 7/8Z LÍNEA DE BOQUILLA L664 1D 7/8Z	LINEA UGELLO L664 1D 7/8Z	1
	65311867	DÜSENSTANGE L580 1D 7/8Z SPROEIERLIJNE L580 1D 7/8Z	LIGNE GICLEUR L580 1D 7/8Z LÍNEA DE BOQUILLA L580 1D 7/8Z	LINEA UGELLO L580 1D 7/8Z	1
	65311868	DÜSENSTANGE L748 1D 7/8Z SPROEIERLIJNE L748 1D 7/8Z	LIGNE GICLEUR L748 1D 7/8Z LÍNEA DE BOQUILLA L748 1D 7/8Z	LINEA UGELLO L748 1D 7/8Z	1
	65311871	DÜSENSTANGE RDN 1D 7/8ZD30 L832 SPROEIERLIJNE RDN 1D 7/8ZD30 L832	LIGNE GICLEUR RDN 1D 7/8ZD30 L832 LÍNEA DE BOQUILLA RDN 1D 7/8ZD30 L832	LINEA UGELLO RDN 1D 7/8ZD30 L832	1
2490	65311873	ÖLSCHLAUCH EDELSTAHL DN8 L400 OLIESLANG INOX DN8 L400	FLEXIBLE INOX DN8 L400 LATIGUILLIO INOX DN8 L400	FLESSIBILE INOSS DN8 L400	1
2510	65311564	MOTOR 0,75KW 230/400V IE3 - KPL. MOTOR 0,75KW 230/400V IE3 GMP	MOTEUR 0,75KW 230/400V IE3 GMP MOTOR 0,75KW 230/400V IE3 GMP	MOTORE 0,75KW 230/400V IE3 GMP	1
	65311829	MOTOR 1,1KW 230/400V IE3 GMP MOTOR 1,1KW230/400V IE3 GMP	MOTEUR 1,1KW230/400V IE3 GMP MOTOR 1,1KW230/400V IE3 GMP	MOTORE 1,1KW230/400V IE3 GMP	1
	65325517	MOTOR 1,5KW230/400V IE3 GMP IP55 MOTOR 1,5KW230/400V IE3 GMP IP55	MOTEUR 1,5KW230/400V IE3 GMP IP55 MOTOR 1,5KW230/400V IE3 GMP IP55	MOTORE 1,5KW230/400V IE3 GMP IP55	1
2520	65312206	DRUCKWAECHTER DSB158 F931, 0-25BAR, IP65 OLIEDRUKSCHAKELAAR DSB 158 F931 0-25BAR	MANOSTAT FIOUL DSB 158 F931 0-25BAR PRESOSTATO GASOLEO DSB 158 F931 0-25BAR	PRESSOSTATO GASOLIO DSB 158 F931 0-25BAR	1
2525	65311615	STECKER HIRSCH GDMW3011 WITH SKIRT STEKKER HIRSCH GDMW3011 WITH SKIRT	PRISE HIRSCH GDMW3011 WITH SKIRT ENCHULE HIRSCH GDMW3011 WITH SKIRT	CONNETTORE HIRSCH GDMW3011 WITH SKIRT	1
2526	65311616	DICHTUNG GDM 3-21 PAKKING GDM 3-21	JOINT GDM 3-21 JUNTA GDM 3-21	GUARNIZIONE GDM 3-21	1
2550	65311650	STELLANTRIEB STE 4,5 Q3.51/6+KABEL L3000 SERVOMOTOR STE 4,5 Q3.51/6+KABEL L3000	SERVOMOTEUR STE 4,5 Q3.51/6+CABLE L3000 SERVOMOTOR STE 4,5 Q3.51/6+CABLE L3000	SERVOMOTORE STE 4,5 Q3.51/6+CAVO L3000	1
2555	65311831	DISTANZROHR HEX15X42 M6-M8 VULSTUK HEX15X42 M6-M8	ENTRETOISE HEX15X42 M6-M8 DISTANCIADOR HEX15X42 M6-M8	DISTANZIALE HEX15X42 M6-M8	1
2560	65313523	T-WINKELANSCHLUSS P-TV 10 L T-AANSLUITING P-TV 10 L	RACCORD EN T P-TV 10 L RACOR EN T P-TV 10 L	RACCORDO A T P-TV 10 L	1
2561	65312937	T-WINKELANSCHLUSS P-ELVD 10 L T-AANSLUITING P-ELVD 10 L	RACCORD EN T P-ELVD 10 L RACOR EN T P-ELVD 10 L	RACCORDO A T P-ELVD 10 L	1
2562	65312938	T-WINKELANSCHLUSS P-TV18/18/10L T-AANSLUITING P-TV18/18/10L	RACCORD EN T P-TV18/18/10L RACOR EN T P-TV18/18/10L	RACCORDO A T P-TV18/18/10L	1
2570	65312935	KUPPLUNG D10/D8X38-90 KOPPELING D10/D8X38-90	ACCOUPLLEMENT D10/D8X38-90 ACOPLAMIENTO D10/D8X38-90	GIUNTO D10/D8X38-90	1

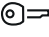

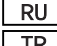
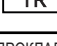

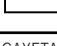

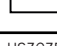

			DE	FR	IT	
			NL	ES		
2580	65311412	BEFESTIGUNGSPLATTE HYDR.-BL.-STELL. STE BEVESTIGINGSPLAAT VAN DE SERVOMOTOR STE	PLATINE SERVOMOTEUR STE PLACA DEL SERVOMOTOR STE	PIASTRA SERVOMOTORE STE	1	
2600	65312934	ANTRIEBS BG HYD-BLOCK N6/7&EKEVO6/7E BT HYDRAUL.BLOK AANDRIJF. N6/7&EKEVO6/7E BT	ENSEMBL.ENTR. BLOC HYD.N6/7&EKEVO6/7E BT CONJ.ACCION.UNID.HYDR. N6/7&EKEVO6/7E BT	GR.TRASMI.UNIT.IDRAUL. N6/7&EKEVO6/7E BT	1	
2610	65311578	OELFILTER RP3/4 PN16 OLIEFILTER RP3/4 PN16	FILTRE FIOUL RP3/4 PN16 FILTRO GASOLEO RP3/4 PN16	FILTRO GASOLIO RP3/4 PN16	1	
2700	65311577	OELPUMPE HP UHE-A3-P-1-4-20 POMP HP UHE-A3-P-1-4-20	POMPE FIOUL HP UHE-A3-P-1-4-20 BOMBA HP UHE-A3-P-1-4-20	POMPA HP UHE-A3-P-1-4-20	1	
	65311835	OELPUMPE TA 5C 30107 POMP TA 5C 30107	POMPE FIOUL TA 5C 30107 BOMBA TA 5C 30107	POMPA TA 5C 30107	1	
	65322994	OELPUMPE TA 4C 40107 POMP TA 4C 4010 7	POMPE FIOUL TA 4C 4010 7 BOMBA TA 4C 4010 7	POMPA TA 4C 4010 7	1	
2705	13022666	MAGNETVENTIL LUC 321F2523 P8 PG11 19W MAGNEETKLEP LUC 321F2523 P8 PG11 19W	ELECTROVANNE LUC 321F2523 P8 PG11 19W ELECTROVALVULA LUC 321F2523 P8 PG11 19W	ELETTROVALVOLA LUC 321F2523 P8 PG11 19W	1	
2710	13022667	MAGNETVENTIL LUC 121F2523 P8 PG11 19W MAGNEETKLEP LUC 121F2523 P8 PG11 19W	ELECTROVANNE LUC 121F2523 P8 PG11 19W ELECTROVALVULA LUC 121F2523 P8 PG11 19W	ELETTROVALVOLA LUC 121F2523 P8 PG11 19W	1	
2750	13019342	ÖLSCHLAUCH DN20 M30-M30 L1500 OLIESLANG DN20 M30-M30 L1500	FLEXIBLE DN20 M30-M30 L1500 LATIGUILLO DN20 M30-M30 L1500	FLESSIBILE DN20 M30-M30 L1500	1	
2800	65312299	REGELWELLE 2.5 LINKSVERS. REGELING AS 2.5 (CCW)	ARBRE DE REGULATION 2.5 (ROT. GAUCHE) ARBOL DE REGULACION 2.5 (ROT. IZQUIERDA)	ALBERO DI REGOLAZIONE 2.5 (ROT.SINISTRA)	1	
	65312300	REGELWELLE 3.0 LINKSVERS. REGELING AS 3.0 (CCW)	ARBRE DE REGULATION 3.0 (ROT. GAUCHE) ARBOL DE REGULACION 3.0 (ROT. IZQUIERDA)	ALBERO DI REGOLAZIONE 3.0 (ROT.SINISTRA)	1	
	65312302	REGELWELLE 5.0 LINKSVERS. REGELING AS 5.0 (CCW)	ARBRE DE REGULATION 5.0 (ROT. GAUCHE) ARBOL DE REGULACION 5.0 (ROT. IZQUIERDA)	ALBERO DI REGOLAZIONE 5.0 (ROT.SINISTRA)	1	
	65312303	REGELWELLE 6.0 LINKSVERS. REGELING AS 6.0 (CCW)	ARBRE DE REGULATION 6.0 (ROT. GAUCHE) ARBOL DE REGULACION 6.0 (ROT. IZQUIERDA)	ALBERO DI REGOLAZIONE 6.0 (ROT.SINISTRA)	1	
3005	65321049	DICHTUNG/GASSTRECKE D125/90X3 PAKKING/GASSTRAAT D125/90X3	JOINT/RAMPE GAZ D125/90X3 JUNTA/RAMPA DE GAS D125/90X3	GUARNIZIONE/RAMPA GAS D125/90X3	1	
3010	65311488	GASANSCHLUSSROHR DN65/RP2 L500 90° 2 G1/4 GASAANSLUITBUIJS DN65/RP2 L500 90° 2 G1/4	COLLECTEUR GAZ DN65/RP2 L500 90° 2 G1/4 COLECTOR DE GAS DN65/RP2 L500 90° 2 G1/4	COLLETTORE GAS DN65/RP2 L500 90° 2 G1/4	1	
	65311503	GASANSCHLUSSROHR DN65/RP1 1/2 90° 2G1/4 GASAANSLUITBUIJS DN65/RP1 1/2 90° 2 G1/4	COLLECTEUR GAZ DN65/RP1 1/2 90° 2 G1/4 COLECTOR GAS DN65/RP1 1/2 L500 90° 2G1/4	COLLETTORE GAS DN65/RP1 1/2 90° 2 G1/4	1	
3020	65311606	GERADE-EINSCHRAUBVERSCHR.P-GEV 8LR-WD-VI RECHTE AANSLUITING P-GEV 8LR-WD-VI	RACCORD DROIT P-GEV 8LR-WD-VI RACOR RECTO P-GEV 8LR-WD-VI	RACCORDO DESTRO P-GEV 8LR-WD-VI	1	
3030	65311604	EINSTELLB.W-VERSCHRAUBUNG P-EWV 8-L GEBOGEN AANSLUITING P-EWV 8-L	RACCORD COUDE P-EWV 8-L RACOR ACODADO P-EWV 8-L	RACCORDO A GOMITO P-EWV 8-L	1	
3040	65311579	MESSNIPPEL G1/4 D9 L27+DICHTUNG DRUKAANSLUITING G1/4 D9 L27+PAKKING	PRISE PRESSION G1/4 D9 L27+JOINT TOMA PRESSION G1/4 D9 L27+JUNTA	PRESA PRESSIONE G1/4 D9 L27+GUARNIZIONE	1	
3060	65311580	GASVENTIL VGD20 4011 RP1 1/2 GASKLEP VGD20 4011 RP1 1/2	VANNE GAZ VGD20 4011 RP1 1/2 VALVULA GAS VGD20 4011 RP1 1/2	VALVOLA GAS VGD20 4011 RP1 1/2	1	
	65311581	GASVENTIL VGD20 5011 RP2 GASKLEP VGD20 5011 RP2	VANNE GAZ VGD20 5011 RP2 VALVULA GAS VGD20 5011 RP2	VALVOLA GAS VGD20 5011 RP2	1	
3070	65107100	STELLANTRIEB SKP25.003E2 O. ENDSCHALTER REGELMOT. GAS SKP25.003E2 Z.EINDSCHALTE	SERVOMOT. GAZ SKP25.003E2 S.FIN COURSE SERVOMOTOR SKP25.003 E2 SIN FIN CARRERA	SERVOMOT. GAS SKP25.003E2 S.FINE CORSA	1	
3080	65311585	KABEL ANSCHLUSS AGA 62 STCK DIN L270 KABEL CONNECT AGA 62 STCK DIN L270	CABLE CONNECT. AGA 62 PRISE DIN L270 CABLE DE CONEXION AGA 62 TOMA DIN L270	CAVO COLLEGA AGA 62 PRESA DIN L270	1	
3090	1478836180	STELLANTRIEB SKP 15.000E2 O. ENDSCHALTER SERVOMOTOR SKP15.000E2 Z.EINDSCHAKELAAR	SERVOMOT.GAZ SKP15.000E2 SANS FIN COURSE SERVOMO. GAS SKP15.000E2 SIN FIN CARRERA	SERVOMOT.GAS SKP15.000E2 SENZ.FINE CORSA	1	
3110	65300871	FLANSCH AGF 10.50 RP2 MONTAGEFLENS AGF 10.50 RP2	BRIDE AGF 10.50 RP2 BRIDA AGF 10.50 RP2	FLANGIA AGF 10.50 RP2	1	
	65313107	FLANSCH AGF 10.40 RP1 1/2 MONTAGEFLENS AGF 10 40 RP1 1/2	BRIDE AGF 10.40 RP1 1/2 BRIDA AGF 10.40 RP1 1/2	FLANGIA AGF 10.40 RP1 1/2	1	
3120	13010091	GASDRUCKWACHTER GW 500 A5 100-500MB GASDRUKSCHAKELAAR GW 500 A5 30-500MB	MANOSTAT GAZ GW 500 A5 100-500MB PRESOSTATO GAS GW 500 A5 30-500MB	PRESSOSTATO GAS GW 500 A5 100-500MB	1	
	65311597	DRUCKWAECHTER GW 150 A6 5-150MB DIN GASDRUKSCHAKELAAR GW 150 A6 5-150MB DIN	MANOSTAT GAZ GW 150 A6 5-150MB DIN PRESOSTATO GAS GW 150 A6 5-150MB DIN	PRESSOSTATO GAS GW 150 A6 5-150MB DIN	1	
3130	65311586	LEITUNGSDOSE AGA 64/SKP ANTRIEB STEKKER SIEM AGA 64/SKP REGELMOTOR	PRISE SIEM AGA 64/SERVOMOTEUR SKP TOMA SIEM AGA 64/SKP SERVOMOTOR	CONNETTORE SIEM AGA 64/SERVOMOTORE SKP	1	
3140	65311615	STECKER HIRSCH GDMW3011 WITH SKIRT STEKKER HIRSCH GDMW3011 WITH SKIRT	PRISE HIRSCH GDMW3011 WITH SKIRT ENCHULE HIRSCH GDMW3011 WITH SKIRT	CONNETTORE HIRSCH GDMW3011 WITH SKIRT	1	
3300	65311458	GASFILTER GF80M-1212-A-1 RP1 1/2 1BAR GASFILTER GF80M-1212-A-1 RP1 1/2 1BAR	FILTRE GAZ GF80M-1212-A-1 RP1 1/2 1BAR FILTRO GAS GF80M-1212-A-1 RP1 1/2 1BAR	FILTRO GAS GF80M-1212-A-1 RP1 1/2 1BAR	1	
	65311459	GASFILTER GF80M-1616-A-1 RP2 1BAR GASFILTER GF80M-1616-A-1 RP2 1BAR	FILTRE GAZ GF80M-1616-A-1 RP2 1BAR FILTRO GAS GF80M-1616-A-1 RP2 1BAR	FILTRO GAS GF80M-1616-A-1 RP2 1BAR	1	
	65311460	GASFILTER GF65MF-2020-A-1 DN65 1BAR GASFILTER GF65MF-2020-A-1 DN65 1BAR	FILTRE GAZ GF65MF-2020-A-1 DN65 1BAR FILTRO GAS GF65MF-2020-A-1 DN65 1BAR	FILTRO GAS GF65MF-2020-A-1 DN65 1BAR	1	
	65311461	GASFILTER GF80MF-2424-A-1 DN80 1BAR GASFILTER GF80MF-2424-A-1 DN80 1BAR	FILTRE GAZ GF80MF-2424-A-1 DN80 1BAR FILTRO GAS GF80MF-2424-A-1 DN80 1BAR	FILTRO GAS GF80MF-2424-A-1 DN80 1BAR	1	
3301	65311361	FILTEREINSATZ RP 1 1/2+O-RING FILTERELEMENT RP 1 1/2+O-RING	ELEMENT FILTRANT RP 1 1/2+O-RING ELEMENTO FILTRANTE RP 1 1/2+O-RING	ELEMENTO FILTRANTE RP 1 1/2+O-RING	1	
	65311723	FILTEREINSATZ GF 65 MF FILTERELEMENT GF 65 MF	ELEMENT FILTRANT GF 65 MF ELEMENTO FILTRANTE GF 65 MF	ELEMENTO FILTRANTE GF 65 MF	1	

		DE NL	FR ES	IT	X
	65311888	FILTEREINSATZ GF 80 MF FILTERELEMENT GF 80 MF	ELEMENT FILTRANT GF 80 MF ELEMENTO FILTRANTE GF 80 MF	ELEMENTO FILTRANTE GF 80 MF	1
3505	65321049	DICHTUNG/GASSTRECKE D125/90X3 PAKKING/GASSTRAAT D125/90X3	JOINT/RAMPE GAZ D125/90X3 JUNTA/RAMPA DE GAS D125/90X3	GUARNIZIONE/RAMPA GAS D125/90X3	1
3510	65311836	GASANSCHLUSSROHR DN65/RP1 1/2 L500 90° GASAANSLUITBUIS DN65/RP1 1/2 L500 90°	COLLECTEUR GAZ DN65/RP1 1/2 L500 90° COLECTOR DE GAS DN65/RP1 1/2 L500 90°	COLLETTORE GAS DN65/RP1 1/2 L500 90°	1
	65311837	GASANSCHLUSSROHR DN65/RP2 L500 90° GASAANSLUITBUIS DN65/RP2 L500 90°	COLLECTEUR GAZ DN65/RP2 L500 90° COLECTOR DE GAS DN65/RP2 L500 90°	COLLETTORE GAS DN65/RP2 L500 90°	1
3580	65311838	GASVENTIL MBC-300-SE S82 5-80MBAR GASKLEP MBC300 SE S82 5-80 MBAR	VANNE GAZ MBC300 SE S82 5-80MBAR VALVULA GAS MBC300SE S82 5-80MBA	VALVOLA GAS MBC300SE S82 5-80MBA	1
	65311839	GASVENTIL MBC700 SE S82 RP1 1/4 5-80 MB GASKLEP MBC700 SE S82 RP1 1/4 5-80 MBAR	VANNE GAZ MBC700 SE S82 RP1 1/4 5-80MBAR VALVULA GAS MBC700SES82 RP1 1/4 5-80MBAR	VALVOLA GAS MBC700SES82 RP1 1/4 5-80MB	1
	65311840	GASVENTIL MBC1200 SE S82 RP2 5-80 MBAR GASKLEP MBC1200 SE S82 RP2 5-80 MBAR	VANNE GAZ MBC1200 SE S82 RP2 5-80 MBAR VALVULA GAS MBC1200 SE S82 RP2 5-80 MBAR	VALVOLA GAS MBC1200 SE S82 RP2 5-80 MBAR	1
3620	65311841	ANSCHLUSSFLANSCH MBC-300 RP1 1/2Z FLENS MBC300 RP1 1/2	BRIDE MBC300 RP1 1/2 BRIDA MBC300 RP1 1/2	FLANGIA MBC300 RP1 1/2	1
	65313021	FLANSCH ZU DMV-D R1 1/2Z O.MESSNIPPEL FLENS MBC700/1200 RP1 1/2	BRIDE MBC700/1200 RP1 1/2 BRIDA MBC700/1200 RP1 1/2	FLANGIA MBC700/1200 RP1 1/2	1
	65313022	FLANSCH ZU DMV-D R 2Z O.MESSNIPPEL MONTAGE FLENS MBC-7/1200 DMV512/520 2"	BRIDE MBC700/1200 RP2 BRIDA MBC700/1200 RP2	FLANGIA MBC700/1200 RP2	1
3640	13010091	GASDRUCKWACHTER GW 500 A5 100-500MB GASDRUKSCHAKELAAR GW 500 A5 30-500MB	MANOSTAT GAZ GW 500 A5 100-500MB PRESOSTATO GAS GW 500 A5 30-500MB	PRESSOSTATO GAS GW 500 A5 100-500MB	1
	65311598	DRUCKWACHTER GW 150 A5 5-150MB GASDRUKSCHAKELAAR GW 150 A5 5-150MB	MANOSTAT GAZ GW 150 A5 5-150MB PRESOSTATO GAS GW 150 A5 5-150MB	PRESSOSTATO GAS GW 150 A5 5-150MB	1
3650	65311615	STECKER HIRSCH GDMW3011 WITH SKIRT STEKKER HIRSCH GDMW3011 WITH SKIRT	PRISE HIRSCH GDMW3011 WITH SKIRT ENCHULE HIRSCH GDMW3011 WITH SKIRT	CONNETTORE HIRSCH GDMW3011 WITH SKIRT	1
3700	13022415	FILTEREINSATZ MBC 300 FILTERELEMENT MBC 300	ELEMENT FILTRANT MBC 300 ELEMENTO FILTRANTE MBC 300	ELEMENTO FILTRANTE MBC 300	1
	13022416	FILTEREINSATZ MBC 700 FILTERELEMENT MBC 700	ELEMENT FILTRANT MBC 700 ELEMENTO FILTRANTE MBC 700	ELEMENTO FILTRANTE MBC 700	1
	13022417	FILTEREINSATZ MBC 1200 FILTERELEMENT MBC 1200	ELEMENT FILTRANT MBC 1200 ELEMENTO FILTRANTE MBC 1200	ELEMENTO FILTRANTE MBC 1200	1
3800	65311458	GASFILTER GF80M-1212-A-1 RP1 1/2 1BAR GASFILTER GF80M-1212-A-1 RP1 1/2 1BAR	FILTRE GAZ GF80M-1212-A-1 RP1 1/2 1BAR FILTRO GAS GF80M-1212-A-1 RP1 1/2 1BAR	FILTRO GAS GF80M-1212-A-1 RP1 1/2 1BAR	1
	65311459	GASFILTER GF80M-1616-A-1 RP2 1BAR GASFILTER GF80M-1616-A-1 RP2 1BAR	FILTRE GAZ GF80M-1616-A-1 RP2 1BAR FILTRO GAS GF80M-1616-A-1 RP2 1BAR	FILTRO GAS GF80M-1616-A-1 RP2 1BAR	1
	65311460	GASFILTER GF65MF-2020-A-1 DN65 1BAR GASFILTER GF65MF-2020-A-1 DN65 1BAR	FILTRE GAZ GF65MF-2020-A-1 DN65 1BAR FILTRO GAS GF65MF-2020-A-1 DN65 1BAR	FILTRO GAS GF65MF-2020-A-1 DN65 1BAR	1
	65311461	GASFILTER GF80MF-2424-A-1 DN80 1BAR GASFILTER GF80MF-2424-A-1 DN80 1BAR	FILTRE GAZ GF80MF-2424-A-1 DN80 1BAR FILTRO GAS GF80MF-2424-A-1 DN80 1BAR	FILTRO GAS GF80MF-2424-A-1 DN80 1BAR	1
3801	65311361	FILTEREINSATZ RP 1 1/2+O-RING FILTERELEMENT RP 1 1/2+O-RING	ELEMENT FILTRANT RP 1 1/2+O-RING ELEMENTO FILTRANTE RP 1 1/2+O-RING	ELEMENTO FILTRANTE RP 1 1/2+O-RING	1
	65311723	FILTEREINSATZ GF 65 MF FILTERELEMENT GF 65 MF	ELEMENT FILTRANT GF 65 MF ELEMENTO FILTRANTE GF 65 MF	ELEMENTO FILTRANTE GF 65 MF	1
	65311888	FILTEREINSATZ GF 80 MF FILTERELEMENT GF 80 MF	ELEMENT FILTRANT GF 80 MF ELEMENTO FILTRANTE GF 80 MF	ELEMENTO FILTRANTE GF 80 MF	1
4005	65321049	DICHTUNG/GASSTRECKE D125/90X3 PAKKING/GASSTRAAT D125/90X3	JOINT/RAMPE GAZ D125/90X3 JUNTA/RAMPA DE GAS D125/90X3	GUARNIZIONE/RAMPA GAS D125/90X3	1
4010	65311494	GASANSCHLUSSROHR DN65/DN80 L500 90° GASAANSLUITBUIS DN65/DN80 L500 90°	COLLECTEUR GAZ DN65/DN80 L500 90° COLECTOR DE GAS DN65/DN80 L500 90°	COLLETTORE GAS DN65/DN80 L500 90°	1
	65311506	GASANSCHLUSSROHR DN65/DN65 L500 90° GASAANSLUITBUIS DN65/DN65 L500 90°	COLLECTEUR GAZ DN65/DN65 L500 90° COLECTOR DE GAS DN65/DN65 L500 90°	COLLETTORE GAS DN65/DN65 L500 90°	1
	65311508	GASANSCHLUSSROHR DN65/DN100 L502 90° GASAANSLUITBUIS DN65/DN100 L502 90°	COLLECTEUR GAZ DN65/DN100 L502 90° COLECTOR DE GAS DN65/DN100 L502 90°	COLLETTORE GAS DN65/DN100 L502 90°	1
	65311509	GASANSCHLUSSROHR DN65/DN125 L500 90° GASAANSLUITBUIS DN65/DN125 L500 90°	COLLECTEUR GAZ DN65/DN125 L500 90° COLECTOR DE GAS DN65/DN125 L500 90°	COLLETTORE GAS DN65/DN125 L500 90°	1
4020	65311601	GERADE-EINSCHRAUBSTUT.P-EGES 12L/R 1/4WD RECHTE AANSLUITING P-EGES 12L/R 1/4WD	RACCORD DROIT P-EGES 12L/R 1/4WD RACOR RECTO P-EGES 12L/R 1/4WD	RACCORDO DESTRO P-EGES 12L/R 1/4WD	1
4030	65311605	KREUZVERSCHR.P-KV12L AANSLUITING P-KV12L	RACCORD P-KV12L RACOR P-KV12L	RACCORDO P-KV12L	1
4040	65311603	EINSTELLBARE W-VERSCHR.P-EWS 12 L-SS GEBOGEN AANSLUITING P-EWS 12 L-SS	RACCORD COUDE P-EWS 12 L-SS RACOR ACODADO P-EWS 12 L-SS	RACCORDO A GOMITO P-EWS 12 L-SS	1
4060	65311607	STOPFEN D15/10X21 VSD 12L/S O.M.MB STOP D15/10X21 VSD 12L/S O.M.MB	BOUCHON D15/10X21 VSD 12L/S O.M.MB TAPÓN D15/10X21 VSD 12L/S O.M.MB	TAPPO D15/10X21 VSD 12L/S O.M.MB	1
4080	65311453	GAS-MV VGD 40.125 DN125 PN16 X 400 MM GASKLEP VGD40 125 DN125	VANNE GAZ VGD40 125 DN125 VALVULA GAS VGD40 125 DN125	VALVOLA GAS VGD40 125 DN125	1
	65311583	GAS-MV VGD 40.080 DN80 X 310MM GASKLEP VGD40 080 DN80	VANNE GAZ VGD40 080 DN80 VALVULA GAS VGD40 080 DN80	VALVOLA GAS VGD40 080 DN80	1
	65311590	GAS-MV VGD 40.100 DN100 X 350 MM GASKLEP VGD40 100, DN100X350MM	VANNE GAZ VGD40 100 DN100 VALVULA GAS VGD40 100 DN100	VALVOLA GAS VGD40 100 DN100	1
	65323661	GAS-MV VGD 40.065 GASKLEP VGD40 065 DN65	VANNE GAZ VGD40 065 DN65 VALVULA GAS VGD40 065 DN65	VALVOLA GAS VGD40 065 DN65	1

			DE	FR	IT	
			NL	ES		
4090	65107100	STELLANTRIEB SKP25.003E2 O. ENDSCHALTER REGELMOT. GAS SKP25.003E2 Z.EINDSCHALTE	SERVOMOT. GAZ SKP25.003E2 S.FIN COURSE SERVOMOTOR SKP25.003 E2 SIN FIN CARRERA	SERVOMOT. GAS SKP25.003E2 S.FINE CORSA	1	
4100	65311585	KABEL ANSCHLUSS AGA 62 STCK DIN L270 KABEL CONNECT AGA 62 STCK DIN L270	CABLE CONNECT. AGA 62 PRISE DIN L270 CABLE DE CONEXION AGA 62 TOMA DIN L270	CAVO COLLEGA AGA 62 PRESA DIN L270	1	
4110	1478836180	STELLANTRIEB SKP 15.000E2 O. ENDSCHALTER SERVOMOTOR SKP15.000E2 Z.EINDSCHAKELAAR	SERVOMOT.GAZ SKP15.000E2 SANS FIN COURSE SERVOMO. GAS SKP15.000E2 SIN FIN CARRERA	SERVOMOT.GAS SKP15.000E2 SENZ.FINE CORSA	1	
4120	65311342	DICHTUNG/GASSTRECKE D218/169X2 DN150 PAKKING/GASSTRAAT D218/169X2 DN150	JOINT/RAMPE GAZ D218/169X2 DN150 JUNTA/RAMPA DE GAS D218/169X2 DN150	GUARNIZIONE/RAMPA GAS D218/169X2 DN150	1	
	65311611	DICHTUNG/GASSTRECKE D127/77X2 DN65 PAKKING/GASSTRAAT D127/77X2 DN65	JOINT/RAMPE GAZ D127/77X2 DN65 JUNTA/RAMPA DE GAS D127/77X2 DN65	GUARNIZIONE/RAMPA GAS D127/77X2 DN65	1	
	65311612	DICHTUNG/GASSTRECKE D142/90X2 DN80 PAKKING/GASSTRAAT D142/90X2 DN80 PN16	JOINT/RAMPE GAZ D142/90X2 DN80 JUNTA/RAMPA DE GAS D142/90X2 DN80	GUARNIZIONE/RAMPA GAS D142/90X2 DN80	1	
	65311613	DICHTUNG/GASSTRECKE D162/115X2 DN100 PAKKING/GASSTRAAT D162/115X2 DN100	JOINT/RAMPE GAZ D162/115X2 DN100 JUNTA/RAMPA DE GAS D162/115X2 DN100	GUARNIZIONE/RAMPA GAS D162/115X2 DN100	1	
	65311614	DICHTUNG/GASSTRECKE D192/141X2 DN125 PAKKING/GASSTRAAT D192/141X2 DN125	JOINT/RAMPE GAZ D192/141X2 DN125 JUNTA/RAMPA DE GAS D192/141X2 DN125	GUARNIZIONE/RAMPA GAS D192/141X2 DN125	1	
4130	65311586	LEITUNGSDOSE AGA 64/SKP ANTRIEB STEKKER SIEM AGA 64/SKP REGELMOTOR	PRISE SIEM AGA 64/SERVOMOTEUR SKP TOMA SIEM AGA 64/SKP SERVOMOTOR	CONNETTORE SIEM AGA 64/SERVOMOTORE SKP	1	
4140	65311615	STECKER HIRSCH GDMW3011 WITH SKIRT STEKKER HIRSCH GDMW3011 WITH SKIRT	PRISE HIRSCH GDMW3011 WITH SKIRT ENCHULE HIRSCH GDMW3011 WITH SKIRT	CONNETTORE HIRSCH GDMW3011 WITH SKIRT	1	
4150	13010091	GASDRUCKWACHTER GW 500 A5 100-500MB GASDRUKSCHAKELAAR GW 500 A5 30-500MB	MANOSTAT GAZ GW 500 A5 100-500MB PRESOSTATO GAS GW 500 A5 30-500MB	PRESSOSTATO GAS GW 500 A5 100-500MB	1	
	65311597	DRUCKWAECHTER GW 150 A6 5-150MB DIN GASDRUKSCHAKELAAR GW 150 A6 5-150MB DIN	MANOSTAT GAZ GW 150 A6 5-150MB DIN PRESOSTATO GAS GW 150 A6 5-150MB DIN	PRESSOSTATO GAS GW 150 A6 5-150MB DIN	1	
4300	65311460	GASFILTER GF65MF-2020-A-1 DN65 1BAR GASFILTER GF65MF-2020-A-1 DN65 1BAR	FILTRE GAZ GF65MF-2020-A-1 DN65 1BAR FILTRO GAS GF65MF-2020-A-1 DN65 1BAR	FILTRO GAS GF65MF-2020-A-1 DN65 1BAR	1	
	65311461	GASFILTER GF80MF-2424-A-1 DN80 1BAR GASFILTER GF80MF-2424-A-1 DN80 1BAR	FILTRE GAZ GF80MF-2424-A-1 DN80 1BAR FILTRO GAS GF80MF-2424-A-1 DN80 1BAR	FILTRO GAS GF80MF-2424-A-1 DN80 1BAR	1	
	65311462	GASFILTER GF100MF-3232-A-1 DN100 1BAR GASFILTER GF100MF-3232-A-1 DN100 1BAR	FILTRE GAZ GF100MF-3232-A-1 DN100 1BAR FILTRO GAS GF100MF-3232-A-1 DN100 1BAR	FILTRO GAS GF100MF-3232-A-1 DN100 1BAR	1	
	65311463	GASFILTER GF125MF-4040-A-1 DN125 1BAR GASFILTER GF125MF-4040-A-1 DN125 1BAR	FILTRE GAZ GF125MF-4040-A-1 DN125 1BAR FILTRO GAS GF125MF-4040-A-1 DN125 1BAR	FILTRO GAS GF125MF-4040-A-1 DN125 1BAR	1	
	65311892	GASFILTER GF150MF-4848-A-1 DN150 1BAR GASFILTER GF150MF-4848-A-1 DN150 1BAR	FILTRE GAZ GF150MF-4848-A-1 DN150 1BAR FILTRO GAS GF150MF-4848-A-1 DN150 1BAR	FILTRO GAS GF150MF-4848-A-1 DN150 1BAR	1	
4301	65311623	FILTEREINSATZ GF 150 MF FILTERELEMENT GF 150 MF	ELEMENT FILTRANT GF 150 MF ELEMENTO FILTRANTE GF 150 MF	ELEMENTO FILTRANTE GF 150 MF	1	
	65311723	FILTEREINSATZ GF 65 MF FILTERELEMENT GF 65 MF	ELEMENT FILTRANT GF 65 MF ELEMENTO FILTRANTE GF 65 MF	ELEMENTO FILTRANTE GF 65 MF	1	
	65311888	FILTEREINSATZ GF 80 MF FILTERELEMENT GF 80 MF	ELEMENT FILTRANT GF 80 MF ELEMENTO FILTRANTE GF 80 MF	ELEMENTO FILTRANTE GF 80 MF	1	
	65311889	FILTEREINSATZ GF 100 MF FILTERELEMENT GF 100 MF	ELEMENT FILTRANT GF 100 MF ELEMENTO FILTRANTE GF 100 MF	ELEMENTO FILTRANTE GF 100 MF	1	
	65311890	FILTEREINSATZ GF 125 MF FILTERELEMENT GF 125 MF	ELEMENT FILTRANT GF 125 MF ELEMENTO FILTRANTE GF 125 MF	ELEMENTO FILTRANTE GF 125 MF	1	
4505	65321049	DICHTUNG/GASSTRECKE D125/90X3 PAKKING/GASSTRAAT D125/90X3	JOINT/RAMPE GAZ D125/90X3 JUNTA/RAMPA DE GAS D125/90X3	GUARNIZIONE/RAMPA GAS D125/90X3	1	
4510	65311494	GASANSCHLUSSROHR DN65/DN80 L500 90° GASAANSLUITBUIJS DN65/DN80 L500 90°	COLLECTEUR GAZ DN65/DN80 L500 90° COLECTOR DE GAS DN65/DN80 L500 90°	COLLETORE GAS DN65/DN80 L500 90°	1	
	65311506	GASANSCHLUSSROHR DN65/DN65 L500 90° GASAANSLUITBUIJS DN65/DN65 L500 90°	COLLECTEUR GAZ DN65/DN65 L500 90° COLECTOR DE GAS DN65/DN65 L500 90°	COLLETORE GAS DN65/DN65 L500 90°	1	
	65311508	GASANSCHLUSSROHR DN65/DN100 L502 90° GASAANSLUITBUIJS DN65/DN100 L502 90°	COLLECTEUR GAZ DN65/DN100 L502 90° COLECTOR DE GAS DN65/DN100 L502 90°	COLLETORE GAS DN65/DN100 L502 90°	1	
4520	65311601	GERADE-EINSCHRAUBSTUT.P-EGES 12L/R 1/4WD RECHTE AANSLUITING P-EGES 12L/R 1/4WD	RACCORD DROIT P-EGES 12L/R 1/4WD RACOR RECTO P-EGES 12L/R 1/4WD	RACCORDO DESTRO P-EGES 12L/R 1/4WD	1	
4530	65311344	T-VERSCHRAUBUNG P-TV 12 L T-STUK P-TV 12 L	RACCORD EN T P-TV 12 L RACOR EN T P-TV 12 L	RACCORDO A T P-TV 12 L	1	
4560	65311607	STOPFEN D15/10X21 VSD 12L/S O.M.MB STOP D15/10X21 VSD 12L/S O.M.MB	BOUCHON D15/10X21 VSD 12L/S O.M.MB TAPÓN D15/10X21 VSD 12L/S O.M.MB	TAPPO D15/10X21 VSD 12L/S O.M.MB	1	
4580	65311844	GASVENTIL MBC-1900-SE DN65 40-80MBAR GASKLEP MBC1900 SE DN65 40-80MBAR	VANNE GAZ MBC1900 SE DN65 40-80MBAR VALVULA GAS MBC1900SE DN65 40-80MBAR	VALVOLA GAS MBC1900 SE DN65 40-80MBAR	1	
	65311845	GASVENTIL MBC-3100-SE DN80 40-80MBAR GASKLEP MBC3100 SE DN80 40-80 MBAR	VANNE GAZ MBC3100 SE DN80 40-80 MBAR VALVULA GAS MBC3100 SE DN80 40-80 MBAR	VALVOLA GAS MBC3100 SE DN80 40-80 MBAR	1	
	65311846	GASVENTIL MBC-5000-SE DN100 40-80MBAR GASKLEP MBC5000 SE DN100 40-80 MBAR	VANNE GAZ MBC5000 SE DN100 40-80 MBAR VALVULA GAS MBC5000 SE DN100 40-80 MBAR	VALVOLA GAS MBC5000 SE DN100 40-80 MBAR	1	
4620	65311342	DICHTUNG/GASSTRECKE D218/169X2 DN150 PAKKING/GASSTRAAT D218/169X2 DN150	JOINT/RAMPE GAZ D218/169X2 DN150 JUNTA/RAMPA DE GAS D218/169X2 DN150	GUARNIZIONE/RAMPA GAS D218/169X2 DN150	1	
	65311611	DICHTUNG/GASSTRECKE D127/77X2 DN65 PAKKING/GASSTRAAT D127/77X2 DN65	JOINT/RAMPE GAZ D127/77X2 DN65 JUNTA/RAMPA DE GAS D127/77X2 DN65	GUARNIZIONE/RAMPA GAS D127/77X2 DN65	1	
	65311612	DICHTUNG/GASSTRECKE D142/90X2 DN80 PAKKING/GASSTRAAT D142/90X2 DN80 PN16	JOINT/RAMPE GAZ D142/90X2 DN80 JUNTA/RAMPA DE GAS D142/90X2 DN80	GUARNIZIONE/RAMPA GAS D142/90X2 DN80	1	
	65311613	DICHTUNG/GASSTRECKE D162/115X2 DN100 PAKKING/GASSTRAAT D162/115X2 DN100	JOINT/RAMPE GAZ D162/115X2 DN100 JUNTA/RAMPA DE GAS D162/115X2 DN100	GUARNIZIONE/RAMPA GAS D162/115X2 DN100	1	

		DE NL	FR ES	IT	
	65311614	DICHTUNG/GASSTRECKE D192/141X2 DN125 PAKKING/GASSTRAAT D192/141X2 DN125	JOINT/RAMPE GAZ D192/141X2 DN125 JUNTA/RAMPA DE GAS D192/141X2 DN125	GUARNIZIONE/RAMPA GAS D192/141X2 DN125	1
4640	13010091	GASDRUCKWACHTER GW 500 A5 100-500MB GASDRUKSCHAKELAAR GW 500 A5 30-500MB	MANOSTAT GAZ GW 500 A5 100-500MB PRESOSTATO GAS GW 500 A5 30-500MB	PRESSOSTATO GAS GW 500 A5 100-500MB	1
	65311597	DRUCKWAECHTER GW 150 A6 5-150MB DIN GASDRUKSCHAKELAAR GW 150 A6 5-150MB DIN	MANOSTAT GAZ GW 150 A6 5-150MB DIN PRESOSTATO GAS GW 150 A6 5-150MB DIN	PRESSOSTATO GAS GW 150 A6 5-150MB DIN	1
4650	65311615	STECKER HIRSCH GDMW3011 WITH SKIRT STEKKER HIRSCH GDMW3011 WITH SKIRT	PRISE HIRSCH GDMW3011 WITH SKIRT ENCHULE HIRSCH GDMW3011 WITH SKIRT	CONNETTORE HIRSCH GDMW3011 WITH SKIRT	1
4800	65311460	GASFILTER GF65MF-2020-A-1 DN65 1BAR GASFILTER GF65MF-2020-A-1 DN65 1BAR	FILTRE GAZ GF65MF-2020-A-1 DN65 1BAR FILTRO GAS GF65MF-2020-A-1 DN65 1BAR	FILTRO GAS GF65MF-2020-A-1 DN65 1BAR	1
	65311461	GASFILTER GF80MF-2424-A-1 DN80 1BAR GASFILTER GF80MF-2424-A-1 DN80 1BAR	FILTRE GAZ GF80MF-2424-A-1 DN80 1BAR FILTRO GAS GF80MF-2424-A-1 DN80 1BAR	FILTRO GAS GF80MF-2424-A-1 DN80 1BAR	1
	65311462	GASFILTER GF100MF-3232-A-1 DN100 1BAR GASFILTER GF100MF-3232-A-1 DN100 1BAR	FILTRE GAZ GF100MF-3232-A-1 DN100 1BAR FILTRO GAS GF100MF-3232-A-1 DN100 1BAR	FILTRO GAS GF100MF-3232-A-1 DN100 1BAR	1
	65311463	GASFILTER GF125MF-4040-A-1 DN125 1BAR GASFILTER GF125MF-4040-A-1 DN125 1BAR	FILTRE GAZ GF125MF-4040-A-1 DN125 1BAR FILTRO GAS GF125MF-4040-A-1 DN125 1BAR	FILTRO GAS GF125MF-4040-A-1 DN125 1BAR	1
	65311892	GASFILTER GF150MF-4848-A-1 DN150 1BAR GASFILTER GF150MF-4848-A-1 DN150 1BAR	FILTRE GAZ GF150MF-4848-A-1 DN150 1BAR FILTRO GAS GF150MF-4848-A-1 DN150 1BAR	FILTRO GAS GF150MF-4848-A-1 DN150 1BAR	1
4801	65311623	FILTEREINSATZ GF 150 MF FILTERELEMENT GF 150 MF	ELEMENT FILTRANT GF 150 MF ELEMENTO FILTRANTE GF 150 MF	ELEMENTO FILTRANTE GF 150 MF	1
	65311723	FILTEREINSATZ GF 65 MF FILTERELEMENT GF 65 MF	ELEMENT FILTRANT GF 65 MF ELEMENTO FILTRANTE GF 65 MF	ELEMENTO FILTRANTE GF 65 MF	1
	65311888	FILTEREINSATZ GF 80 MF FILTERELEMENT GF 80 MF	ELEMENT FILTRANT GF 80 MF ELEMENTO FILTRANTE GF 80 MF	ELEMENTO FILTRANTE GF 80 MF	1
	65311889	FILTEREINSATZ GF 100 MF FILTERELEMENT GF 100 MF	ELEMENT FILTRANT GF 100 MF ELEMENTO FILTRANTE GF 100 MF	ELEMENTO FILTRANTE GF 100 MF	1
	65311890	FILTEREINSATZ GF 125 MF FILTERELEMENT GF 125 MF	ELEMENT FILTRANT GF 125 MF ELEMENTO FILTRANTE GF 125 MF	ELEMENTO FILTRANTE GF 125 MF	1
5002	65312447	FEUERUNGSAUT. BT340 BASISEINSTELL. BRANDERAUT. BT340 BASIS AFSTELLING	COFFRET BT340 REGLAGE DE BASE PROGRAMADOR BT340 CONFIGUR. BÁSICA	APPARECCH. BT340 REGOL. BASE	1
	65312450	FEUERUNGSAUT. BT340 SPEZIAL EINSTELL. BRANDERAUT. BT340 SPECIAL. AFSTELLING	COFFRET BT340 REGLAGE SPECIFIQUE PROGRAMADOR BT340 CONFIG. ESPECÍFICA	APPARECCH. BT340 REGOL. SPEZIAL.	1
	65312455	FEUERUNGSAUTOM. BT340 GL-EF3+FQ.UM BRANDERAUT. BT340 GL-EF3+FQ.OMV.	COFFRET BT340 GL-EF3+REG.FRQ. PROGRAMAD.BT340 GL-EF3+CONV.FREQ.	APPARECCHIAT.BT340 GL-EF3+REG.FQ	1
5010	65311362	PRUEFBRENNER M.DRUCKKNOPFHAHN PB2 PROEFBRANDER MET DRUKKNOP PB2	BRULEUR ESSAI AVEC B. POUSSOIR PB2 QUEMADOR DE PRUEBA CON PULSADOR PB2	BRUCIATORE DI PROVA CON PULSANTE PB2	1
5020	65311918	VSM100 (LSB-M 667R0200-1) VSM100-MODULE (LSB-M 667R0200-1)	MODULE VSM100 (LSB-M 667R0200-1) MÓDULO VSM100 (LSB-M 667R0200-1)	MODULO VSM100 (LSB-M 667R0200-1)	1
5025	65312275	KONSOLE LAM F152 659G0501 CONSOLE LAM F152 659G0501	CONSOLE LAM F152 659G0501 CONSOLA LAM F152 659G0501	CONSOLLE LAM F152 659G0501	1
5035	65312550	IND.SENSOR NAMUR NI5-G12-Y1+KABEL 5 METE SENSOR NAMUR NI5-G12-Y1+KABEL 5 METER	CAPTEUR NAMUR NI5-G12-Y1+CABLE 5 METRE SENSOR NAMUR NI5-G12-Y1+CABLE 5 METRO	SENSORE NAMUR NI5-G12-Y1+CAVO 5 METRI	1
5042	65311940	RELAIS FIN 38.61 8.240.5060 KLL 1W FZ RELAIS FIN 38.61 8.240.5060 KLL 1W FZ	RELAIS FIN 38.61 8.240.5060 KLL 1W FZ RELE FIN 38.61 8.240.5060 KLL 1W FZ	RELE FIN 38.61 8.240.5060 KLL 1W FZ	1
5300	65114033	REGLER RWF 55.50A9 REGELAAR RWF 55.50A9	REGULATEUR RWF 55.50A9 REGULADOR RWF 55.50A9	REGOLATORE RWF 55.50A9	1
5500	65312274	FLAMMENFUEHLER FFS08-UV1 659D31 - 5M FOTOCEL FFS08-UV1 659D31 - 5M W/O	CELLULE FFS08-UV1 659D31 - 5M W/O CELULA FFS08-UV1 659D31 - 5M W/O	FOTOCELLULA FFS 08—UV1 659D31 - 5M W/O	1

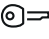

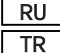

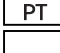


		<table border="1"><tr><td>RU</td></tr><tr><td>TR</td></tr></table>	RU	TR	<table border="1"><tr><td>PT</td></tr><tr><td></td></tr></table>	PT		<table border="1"><tr><td>PL</td></tr><tr><td></td></tr></table>	PL		
RU											
TR											
PT											
PL											
1020	65312332	КОЖУХ 520X423X337/ВОЗДУ. КАМЕРА EKEVO 6-7 KAPAĞI 520X423X337/HAVA KUTUSU EKEVO 6-7	COBERTURA 520X423X337/CAIXA AR EKEVO 6-7	OSŁONA 520X423X337/KOMORA POW. EKEVO 6-7	1						
1030	65312333	ЗВУКОИЗОЛЯЦИЯ/ВОЗ. КАМЕРА 492X418X334/N6-7 SES IZOLASYONU/HAVA KUT. 492X418X334/N6-7	ISOLAMENTO ACUST./CAIXA AR 492X418X334	IZOLACJA AKUST./AIR BOX 492X418X334/N6-7	1						
1040	65311474	ЗАСЛОНКА РЕЦИР. ВОЗ. D369/249/234X132 HAVA GERI DÖNÜŞÜMÜ D369/249/234X132	RECICLAGEM AR D369/249/234X132	RECYRKULACJA POW. D369/249/234X132	1						
	65311490	ЗАСЛОНКА РЕЦИР. ВОЗ. D306/222/200X105 HAVA GERI DÖNÜŞÜMÜ D306/222/200X105	RECICLAGEM AR D306/222/200X105	RECYRKULACJA POW. D306/222/200X105	1						
1050	1180603227	СМОТРОВОЕ ОКНО 55X21 ROGAR CAMI 55X21	VIGIA 55X21	SZKŁO PODGLĄDU 55X21	1						
1060	1188052260	КРЫШКА D61/55/ГЛАЗКА ДЛЯ КОНТРОЛЯ KARAK D61/55/GÖZETLEME CAMI	TAMPA D61/55/VIGIA	POKRYWA D61/55/SZKŁO PODGLĄDU	1						
1070	1180559591	ГАЙКА M48X1,5 SOMUN M48X1,5	PORCA M48X1,5	KRĘTKA M48X1,5	1						
1080	65311473	РАБОЧЕЕ КОЛЕСО D450/252X90 D38+ПЛИТА D58 TURBIN D450/252X90 D38+PLAKA D58/12	TURBINA D450/252X90 D38+PRATO D58/12	WIMIK D450/252X90 D38+PLYTA D58/12	1						
	65311489	РАБОЧЕЕ КОЛЕСО D438/225X89 D28+ПЛИТА D58 TURBIN D438/225X89 D28+PLAKA D58/12	TURBINA D438/225X89 D28+PRATO D58/12	WIMIK D438/225X89 D28+PLYTA D58/12	1						
	65311822	РАБОЧЕЕ КОЛЕСО D485/252X102D38+ПЛИТА D58 TURBIN D485/252X102 D38+PLAKA D58/12	TURBINA D485/252X102 D38+PRATO D58/12	WIMIK D485/252X102 D38+PLYTA D58/12	1						
1090	65311471	ТРАНСФОРМАТОР РОЗЖИГА EBI 1X11 230V ATEŞLEME TRAFO. EBI 1X11 230V	TRANSFO IGNIÇÃO EBI 1X11 230V	TRANSFO ZAPŁONOWY EBI 1X11 230V	1						
1091	65310925	ТРАНСФО РОЗЖИГА EBI 2X7,5 230V ATEŞLEME TRAFO. EBI 2X7,5 230V	TRANSFO IGNIÇÃO EBI 2X7,5 230V	TRANSFO ZAPŁONOWY EBI 2X7,5 230V	1						
1093	65313375	СТРЕМЯ ФОТОРЕЗИСТОР D22.5 RAR 7/QRA 2 ÜZENGI HÜCRE D22.5 İÇİN RAR 7/QRA 2	ESTRIBO CELULA D22.5 PARA RAR 7/QRA 2	STRZEMIĘ D22.5 FOTOKOMÓRKA RAR 7/QRA 2	1						
1094	65312311	ДЕРЖАТЕЛЬ ФОТОРЕЗИС. UVZ/QRA/RAR D22.5 ALU DESTEĞİ HÜCRE UVZ/QRA/RAR D22.5 ALU	SUPORTE CELULA UVZ/QRA/RAR D22.5 ALU	WSPORNIK FOTOKOM. UVZ/QRA/RAR D22.5 ALU	1						
1095	13012980	ФОТОРЕЗИСТОР QRA 2 ФЛАНЕЦ+COLLAR TURUNCU HÜCRE 2 FLANŞ + BİLEZİK	CELULA QRA 2 FLANGE+COLLAR	KOMÓRKA QRA 2 FLANGE+COLLAR	1						
1100	65311472	ЗЕРКАЛО/ГЛАЗОК ДЛЯ КОНТРОЛЯ ПЛАМЕНИ AYNA/GÖZETLEME CAMI	ESPELHO/VIGIA	LUSTRO/WZIERNIK	1						
1110	65311595	РЕЛЕ ДАВ. ВОЗДУХА LGW 50 A2P 2,5-50MB HAVA BASINÇ ŞALT. LGW 50 A2P 2,5-50MB	PRESSOSTATO AR LGW 50 A2P 2,5-50MB	CZUJNIK CIŚ. POW. LGW 50 A2P 2,5-50MB	1						
1120	65312321	ГАЗОВЫЙ КЛАПАН DN80 D127+СЕРВОДВИГАТ. STE GAZ KLAPESİ DN80 D127 CPL+SERVOMOTOR STE	VALVULA DE GAS DN80 D127+SERVOMOTOR STE	ZAWÓR GAZU DN80 D127 CPL.+SERWOMOTOR STE	1						
1121	65312322	ГАЗОВЫЙ КЛАПАН DN80 D127 CPL. GAZ KLAPESİ DN80 D127 CPL.	VALVULA DE GAS DN80 D127 CPL.	ZAWÓR GAZU DN80 D127 CPL.	1						
1122	65312323	ГАЗОВЫЙ СЕРВОДВИГАТЕЛЯ STE4.5 B037/6-R KOMPLE GAZ SERVOMOT. STE4.5 B037/6-R	ATUADOR GAS COMPL. STE4.5 B037/6-R 0,8NM	SERVOMOT. GAZU EQ. STE4.5 B037/6-R 0,8NM	1						
1123	65312458	МУФТА ПРОКЛАДКИ ПРОВ DIM.34X15/12 D.6,2 KABLO KANALI DIM.34X15/12 D.6,2	PASSA-CABOS DIM.34X15/12 D.6,2	PRZELOTKA PRZEWODU DIM.34X15/12 D6,2	1						
1150	65311650	СЕРВОДВИГАТЕ STE4,5 Q3.51/6+КАБЕЛЬ L3000 SERVOMOTOR STE 4,5 Q3.51/6+KABLOSU L3000	SERVOMOTOR STE 4,5 Q3.51/6+CABO L3000	SERVOMOTOR STE 4,5 Q3.51/6+PRZEWÓD L3000	1						
1160	65300527	СЕРВОДВИГАТ. STE 4,5 B0.37/6-R +КАБЕ. L600 SERVOMOTOR STE 4,5 B0.37/6-R KABLO L600	SERVOMOTOR STE 4,5 B0.37/6-R +CABO L600	SERVOMOTOR STE 4,5 B0.37/6-R +KABEL L600	1						
1161	65312327	КОЖУХ 125X79X73/СЕРВОДВИГАТЕЛЬ STE 4,5 KAPAĞI 125X79X73/SERVOMOTOR STE 4,5	COBERTURA 125X79X73/SERVOMOTOR STE 4,5	OSŁONA 125X79X73/SERVOMOTOR STE 4,5	1						
1170	65312555	ЭЛЕКТРОДВИ. 3,0KW 230/400V D28 IE3 ЧЕРН. MOTORU 3,0KW 230/400V D28 IE3 SIYAH	MOTOR 3,0KW 230/400V D28 IE3 PRETO	SILNIK 3,0KW 230/400V D28 IE3 CZARNY	1						
	65312556	ЭЛЕКТРОДВИ. 4,0KW 400/690V D28 IE3 ЧЕРН. MOTORU 4,0KW 400/690V D28 IE3 SIYAH	MOTOR 4,0KW 400/690V D28 IE3 PRETO	SILNIK 4,0KW 400/690V D28 IE3 CZARNY	1						
	65312557	ЭЛЕКТРОДВИ. 5,5KW 400/690V D38 IE3 ELV MOTORU 5,5KW 400/690V D38 IE3 ELV	MOTOR 5,5KW 400/690V D38 IE3 ELV	SILNIK 5,5KW 400/690V D38 IE3 ELV	1						
	65312558	ЭЛЕКТРОДВИ. 7,5KW 400/690V D38 IE3 ЧЕРН. MOTORU 7,5KW 400/690V D38 IE3 SIYAH	MOTOR 7,5KW 400/690V D38 IE3 ELV PRETO	SILNIK 7,5KW 400/690V D38 IE3 ELV CZARNY	1						
1200	65312328	ВОЗДУШНАЯ ЗАСЛОНКА В СБОРЕ DONANIMLI HAVA KLAPESİ	CONJUNTO ALETA DE AR	PRZEPUSTNICA POWIETRZA Z OSPRZĘTEM	1						
1201	65312331	ПРИВОДНОЙ РЫЧАГ/ВОЗДУШНАЯ ЗАСЛОНКА SÜRÜCÜ KOLU/HAVA KLAPESİ	ALAVANCA ACIONAMENTO ALETA DE AR	DŹWIGNIA NAPĘDU/PRZEPUSTNICA POWIE.	1						
1202	65312330	СТЕРЖЕНЬ D10X145 M6 ВОЗДУШНАЯ ЗАСЛОНКА BAĞLANTI D10X145 M6 HAVA KLAPESİ	BIELA D10X145 M6 FLAP DE AR	POŁĄCZENIE D10X145 M6 PRZEPUSTNICA POWI.	1						
1203	65312329	ОСЬ/ВОЗДУШНАЯ ЗАСЛ. D34/25X100 FLAT L55 AKSI / HAVA KLAPESİ D34/25X100 FLAT L55	HASTE / FLAP DE AR D34/25X100 FLAT L55	OŚ/PRZEPUSTNICA POW. D34/25X100 FLAT L55	1						
1204	65312459	ОСЬ/ВОЗДУШНАЯ ЗАСЛ. D34/25X100 C. УКАЗАТ. AKSI / HAVA KLAPESİ D34/25X100 I.İŞARET.	HASTE / FLAP DE AR D34/25X100 C.PONTEIRO	OŚ/PRZEPUSTNICA POW.D34/25X100 Z WSKAŹN.	1						
1510	65312340	КРЫШКА 374X621X331/ELECTRIC PANEL EKEVO KARAK 374X621X331/ELECTRIC PANEL EKEVO	TAMPA 374X621X331/ARMARIO ELETRICO EKEVO	POKRYWA 374X621X331/ELECTRIC PANEL EKEVO	1						
1512	65312338	ЗАГЛУШКА/РЕГУЛЯТОР 92X45 IP54 OBTURATOR/REGULATOR 92X45 IP54	TAMPA CEGA/CONTROLADOR 92X45 IP54	ZASŁEPKA/REGULATOR 92X45 IP54	1						
1520	65326869	ДИСПЛЕЙ БЛОКА УПРАВЛЕНИЯ ВТ3ХХ EKРАН KUTU VТ3ХХ	VISOR UNIDADE DE CONTROLE ВТ3ХХ	WYŚWIETLACZ MODUŁ ВТ3ХХ	1						

		 	 	 	
1525	65311364	ПРОКЛАДКА/ДИСПЛЕЙ 152/140X80/70X2 CONTAS/IEKRAN 152/140X80/70X2	GAXETAMISOR 152/140X80/70X2	USZCZELKA/WYŚWIETLACZ 152/140X80/70X2	1
1530	65312454	БЛОК УПРАВЛЕНИЯ BT340 GL-E KUTU BT340 GL-E	PROGRAMADOR BT340 GL-E	MODUŁ BT340 GL-E	1
1540	65311790	МОДУЛЬ LCM100 (LSB-M 667R0500-1) MODÚLU LCM100 (LSB-M 667R0500-1)	MÓDULO LCM100 (LSB-M 667R0500-1)	MODUL LCM100 (LSB-M 667R0500-1)	1
1550	65311791	МОДУЛЬ DFM300 (LSB-M 667R0600-1) MODÚLU DFM300 (LSB-M 667R0600-1)	MÓDULO DFM300 (LSB-M 667R0600-1)	MODUL DFM300 (LSB-M 667R0600-1)	1
1555	65311789	АДАПТЕР BT300/DFM300 RAST5 ADAPTÖR BT300/DFM300 RAST5	ADAPTADOR BT300/DFM300 RAST5	ADAPTER BT300/DFM300 RAST5	1
1580	65311945	РАЗЪЕДИНИТ. ЭЛЕКТРОДВИ. SCH 0,75KW GV2ME07 MOTOR DEVRE KESİCİ SCH 0,75KW GV2ME07	DISJUNTOR MOTOR SCH 0,75KW GV2ME07	WYŁĄCZNIKI SILNIKSCH 0,75KW GV2ME07	1
	65311946	РАЗЪЕДИНИТ. ЭЛЕКТРОД. SCH 1,1-1,5KW GV2ME08 MOTOR DEVRE KESİCİ SCH 1,1-1,5KW GV2ME08	DISJUNTOR MOTOR SCH 1,1-1,5KW GV2ME08	WYŁĄCZNIKI SILNIKSCH 1,1-1,5KW GV2ME08	1
1581	64190721	РАЗЪЕДИНИТ. ЭЛЕКТРОДВИ. SCH GV2ME10 DEVRE KESİCİ MOTOR SCH GV2ME10	DISJUNTOR MOTOR SCH GV2ME10	WYŁĄCZNIKI SILNIK SCH GV2ME10	1
	65311776	РАЗЪЕДИНИТ. ЭЛЕКТРОДВИ. SCH 7,5KW GV2ME20 MOTOR DEVRE KESİCİ SCH 7,5KW GV2ME20	DISJUNTOR MOTOR SCH 7,5KW GV2ME20	WYŁĄCZNIKI SILNIKSCH 7,5KW GV2ME20	1
	65311794	РАЗЪЕДИНИТ. ЭЛЕКТРОДВИ. SCH 3-4KW GV2ME14 DEVRE KESİCİ MOTOR SCH 3-4KW GV2ME14	DISJUNTOR MOTOR SCH 3-4KW GV2ME14	WYŁĄCZNIKI SILNIK SCH 3-4KW GV2ME14	1
	65312033	РАЗЪЕДИНИТ. ЭЛЕКТРОДВИ. SCH 5,5KW GV2ME16 MOTOR DEVRE KESİCİ SCH 5,5KW GV2ME16	DISJUNTOR MOTOR SCH 5,5KW GV2ME16	WYŁĄCZNIKI SILNIKSCH 5,5KW GV2ME16	1
1585	65311795	ВСПОМОГАТЕЛЬНЫЙ ПЕРЕКЛЮЧАТЕЛЬ SCH GVA E11 YARDIMCI KONTAK SCH GVA E11	INTERRUPTOR AUXILIAR SCH GVA E11	PRZEŁĄCZNIK POMOCNICZY SCH GVA E11	1
1595	65311793	КОНТАКТОР SCH LC1-D09P7 3-4KW KONTAKTÖR SCH LC1-D09P7 3-4KW	CONTACTOR SCH LC1-D09P7 3-4KW	STYCZNIK SCH LC1-D09P7 3-4KW	1
1596	65311793	КОНТАКТОР SCH LC1-D09P7 3-4KW KONTAKTÖR SCH LC1-D09P7 3-4KW	CONTACTOR SCH LC1-D09P7 3-4KW	STYCZNIK SCH LC1-D09P7 3-4KW	1
	65311947	КОНТАКТОР SCH LC1-D18P7 7,5KW KONTAKTÖR SCH LC1-D18P7 7,5KW	CONTACTOR SCH LC1-D18P7 7,5KW	STYCZNIK SCH LC1-D18P7 7,5KW	1
	65312032	КОНТАКТОР SCH LC1-D12P7 5,5KW KONTAKTÖR SCH LC1-D12P7 5,5KW	CONTACTOR SCH LC1-D12P7 5,5KW	STYCZNIK SCH LC1-D12P7 5,5KW	1
1600	65312334	СИГНАЛЬНАЯ ЛАМПА 32X22,5X21 COM.0401S 8S GÖSTERGE İŞİĞİ 32X22,5X21 COME.0401.S 8S	LUZ INDICAD.32X22,5X21 COMELUX 0401.S 8S	LAMPKA KONTROL.32X22,5X21 COMEL.0401S 8S	1
1601	65312335	ПЕРЕКЛЮЧАТЕЛЬ 2 POS. ON-ON 0401.1.DEV T2 ANAHTARI COM 2 POS. ON-ON 0401.1.DEV T2	INTERRUPTOR 2 POS. ON-ON 0401.1.DEV T2C2	PRZEŁĄCZNIK 2 POS. ON-ON 0401.1.DEV T2C2	1
1604	65312337	ПЕРЕКЛЮЧАТЕЛЬ COM 2 POS. MOMENT. 0401.1 ANAHTARI COM 2 POS.MOMENTARY 0401.1 T2C2	INTERRUPTOR 2 POS. MOMENTARY 0401.1 T2C2	PRZEŁĄCZNIK COM 2 POS. MOMENT. 0401.1 T2	1
1610	65311451	САЛБНИК M16 KABLO RAKORU M16	PRENSAESTOPAS M16	DŁAWNICA M16	1
1611	65311758	САЛБНИК M20 KABLO RAKORU M20	PRENSAESTOPAS M20	DŁAWNICA M20	1
1612	65312852	САЛБНИК CLICK M25 KABLO RAKORU CLICK M25	PRENSAESTOPAS CLICK M25	DŁAWNICA CLICK M25	1
1699	65312244	СОЕДИНИТЕЛЬ.КАБЕЛЬ BT300/LCM100 667P0515 BAĞLANTI KABLOSU BT300/LCM100 667P0515	CABO DE CONEXÃO BT300/LCM100 667P0515	POŁĄCZENIOW. KABEL BT300/LCM100 667P0515	1
1700	65311446	ИНСТРУМЕНТЫ WAG 2009-309 İŞLETİM ARAC WAG 2009-309	FERRAMENTA WAG 2009-309	NARZĘD. D.PRZEŁĄCZANIA WAG 2009-309	1
2020	65311851	СОПЛО ГОРЕЛКИ D263/310/265 L380 BRÜLÖR BORUSU D263/310/265 L380	TUBO DO QUEIMADOR D263/310/265 L380	RURA PALNIKA D263/310/265 L380	1
	65311852	СОПЛО ГОРЕЛКИ D263/310/265 L500 BRÜLÖR BORUSU D263/310/265 L500	TUBO DO QUEIMADOR D263/310/265 L500	RURA PALNIKA D263/310/265 L500	1
	65311853	СОПЛО ГОРЕЛКИ D263/310/265 L620 BRÜLÖR BORUSU D263/310/265 L620	TUBO DO QUEIMADOR D263/310/265 L620	RURA PALNIKA D263/310/265 L620	1
	65312875	СОПЛО ГОРЕЛКИ D263/240/290/250 L500 INOX BRÜLÖR BORUSU D263/240/290/250 L500 INOX	TUBO QUEIMADOR D263/240/290/250 L500 INO	RURA PALNIKA D263/240/290/250 L500 INOX	1
	65312910	СОПЛО ГОРЕЛКИ D263/240/290/250 L380 INOX BRÜLÖR BORUSU D263/240/290/250 L380 INOX	TUBO QUEIMADOR D263/240/290/250 L380 INO	RURA PALNIKA D263/240/290/250 L380 INOX	1
	65312912	СОПЛО ГОРЕЛКИ D263/240/290/250 L620 INOX BRÜLÖR BORUSU D263/240/290/250 L620 INOX	TUBO QUEIMADOR D263/240/290/250 L620INOX	RURA PALNIKA D263/240/290/250 L620 INOX	1
	65312913	СОПЛО ГОРЕЛКИ D323.5/275/340/280 L425 BRÜLÖR BORUSU D323.5/275/340/280 L425	TUBO D.QUEIMADOR D323.5/275/340/280 L425	RURA PALNIKA D323.5/275/340/280 L425	1
	65312914	СОПЛО ГОРЕЛКИ D323.5/275/340/280 L555 BRÜLÖR BORUSU D323.5/275/340/280 L555	TUBO D.QUEIMADOR D323.5/275/340/280 L555	RURA PALNIKA D323.5/275/340/280 L555	1
	65312915	СОПЛО ГОРЕЛКИ D323.5/275/340/280 L685 BRÜLÖR BORUSU D323.5/275/340/280 L685	TUBO D.QUEIMADOR D323.5/275/340/280 L685	RURA PALNIKA D323.5/275/340/280 L685	1
	65312916	СОПЛО ГОРЕЛКИ D324/370/310 L425 BRÜLÖR BORUSU D324/370/310 L425	TUBO D.QUEIMADOR D324/370/310 L425	RURA PALNIKA D324/370/310 L425	1
	65312917	СОПЛО ГОРЕЛКИ D324/370/310 L555 BRÜLÖR BORUSU D324/370/310 L555	TUBO D.QUEIMADOR D324/370/310 L555	RURA PALNIKA D324/370/310 L555	1
	65312918	СОПЛО ГОРЕЛКИ D324/370/310 L685 BRÜLÖR BORUSU D324/370/310 L685	TUBO D.QUEIMADOR D324/370/310 L685	RURA PALNIKA D324/370/310 L685	1

		<table border="1"><tr><td>RU</td></tr><tr><td>TR</td></tr></table>	RU	TR	<table border="1"><tr><td>PT</td></tr><tr><td></td></tr></table>	PT		<table border="1"><tr><td>PL</td></tr><tr><td></td></tr></table>	PL		
RU											
TR											
PT											
PL											
2070	65313731	КАБЕЛЬ РОЗЖИГА FZLSI 1X1,00Q-CU/СИЛИКОН. ATEŞLEME KABLO. FZLSI 1X1,00Q-CU/SILIKON	CABO IGNIZACAO FZLSI 1X1,00Q-CU/SILICONE	PRZEWÓD ZAPŁON. FZLSI 1X1,00Q-CU/SILIKON	1						
2071	65311374	КРУГЛЫЙ СОЕДИНИТЕЛЬ D6.4/КАБЕЛЬ РОЗЖИГА YUVARL.ERKEK KONNEKT.D6.4/ATEŞLEM.KABLO.	CONNECT.MASC.REDONDO D6.4/CABO IGNIZACAO	OKRĄGLE ZŁĄCZE MĘSKIE D6.4/PRZEWÓD.ZAPŁO.	1						
2072	13013226	РЕЗИСТОР ПОДАВЛЕНИЕ ПОМЕХ 1КОHM D10X52.5 REZISTANS PARAZIT GIDERME 1KOHM D10X52.5	RESIST.SUPRESSÃO INTERFER.1KOHM D10X52.5	REZYSTOR TŁUMIENIE ZAKŁÓC.1KOHM D10X52.5	1						
2110	65311860	ДЕФЛЕКТОР D238/45X36,5 8SL 6DRIL. DEFLEKTOR D238/45X36,5 8SL 6DRIL.	DEFLECTOR D238/45X36,5 8SL 6DRIL.	DEFLEKTOR D238/45X36,5 8SL 6DRIL.	1						
	65311861	ДЕФЛЕКТОР D280/62 12SL 6DRIL. DEFLEKTOR D280/62 12SL 6DRIL.	DEFLECTOR D280/62 12SL 6DRIL.	DEFLEKTOR D280/62 12SL 6DRIL.	1						
2125	65311454	О-КОЛЬЦО D30X4 O-RING D30X4	O-RING D30X4	O-RING D30X4	1						
2130	65311862	ДИФУЗОР D25/16 L40 5 DRILL.D3 45° INOX GAZ DIFUZ.D25/16 L40 5 DRILL.D3 45° INOX	DIFUSOR GAS D25/16 L40 5 PERF.D3 45°INOX	DYSZA GAZU D25/16 L40 5 DRILL.D3 45°INOX	1						
	65311863	ДИФУЗОР D25/18 L40 5 DRILL.D3 45° INOX GAZ DIFUZ.D25/18 L40 5 DRILL.D3 45° INOX	DIFUSOR GAS D25/18 L40 5 PERF.D3 45°INOX	DYSZA GAZU D25/18 L40 5 DRILL.D3 45°INOX	1						
2190	65311469	ЭЛЕКТРОД ЗАЖИГ.D9,2X50 D3X86 50° L150 d4 ATEŞLEYİ.ELEKT.D9,2X50 D3X86 50° L150 d4	ELETROD.ENCEND.D9,2X50 D3X86 50° L150 d4	ELEKTRODA ALU.D9,2X50 D3X86 50° L150 d4	1						
2200	65310990	ЭЛЕКТРОД ЗАЖИГ.D9X50 D3X71 20° L150 D4 ATEŞLEYİ.ELEKT.D9X50 D3X71 20° L150 D4	ELETROD.ENCEND.D9X50 D3X71 20° L150 D4	ELEKTRODA ALU.D9X50 D3X71 20° L150 D4	1						
2220	65311555	ДЕРЖАТЕЛЬ ЭЛЕКТРОД ЗАЖИГАНИЯ(ДИЗЕЛЬНОГО) DESTEĞİ ATEŞLEYİCİ ELEKTROD (YAKIT)	SUPORTE ELETRODO ENCENDIDO (FUEL)	WSPORNIK ELEKTRODA ALU. (OLEJU)	1						
2235	65311393	ФОРСУНКА FLU 180 KG 50° W2 PÜSK. MEMESİ FLU 180 KG 50° W2	BOQUILLA FLU 180 KG 50° W2	DYSZA FLU 180 KG 50° W2	1						
	65312605	ФОРСУНКА FLU 250 KG 50° W2 PÜSK. MEMESİ FLU 250 KG 50° W2	BOQUILLA FLU 250 KG 50° W2	DYSZA FLU 250 KG 50° W2	1						
	65323551	ФОРСУНКА FLU 400 KG 50° W2 PÜSK. MEMESİ FLU 400 KG 50° W2	BOQUILLA FLU 400 KG 50° W2	DYSZA FLU 400 KG 50° W2	1						
	65323552	ФОРСУНКА FLU 450 KG 50° W2 PÜSK. MEMESİ FLU 450 KG 50° W2	BOQUILLA FLU 450 KG 50° W2	DYSZA FLU 450 KG 50° W2	1						
2260	65311491	О-КОЛЬЦО 6387D97,79X5,33 NBR O-RING 6387D97,79X5,33 NBR	O-RING 6387D97,79X5,33 NBR	O-RING 6387D97,79X5,33 NBR	1						
2360	65311864	РУКОВОДСТВО ЛИНИЯ ФОРСУНКИ KILAVUZ PÜSKÜRTME MEMESİ HATTI	GUIA LÍNEA DE BOQUILLA	PRZEWODNIK UKŁAD DYSZY	1						
2370	65321060	ПРОКЛАДКА/ТРУБКА ГАЗОВЫЕ D74/45X3 CONTASI/TUPLU GAZ D74/45X3	GAXETA/TUBO GAS D74/45X3	USZCZELKA/BORUSU GAZOWY D74/45X3	1						
2380	65311815	ЛИНИЯ ФОРСУНКИ RDN 1D 7/8ZD30 L900 PÜSKÜRTME MEM.HATTI RDN 1D 7/8ZD30 L900	LÍNEA DE BOQUILLA RDN 1D 7/8ZD30 L900	UKŁAD DYSZY RDN 1D 7/8ZD30 L900	1						
	65311866	ЛИНИЯ ФОРСУНКИ L664 1D 7/8Z PÜSKÜRTME MEM.HATTI L664 1D 7/8Z	LÍNEA DE BOQUILLA L664 1D 7/8Z	UKŁAD DYSZY L664 1D 7/8Z	1						
	65311867	ЛИНИЯ ФОРСУНКИ L580 1D 7/8Z PÜSKÜRTME MEM.HATTI L580 1D 7/8Z	LÍNEA DE BOQUILLA L580 1D 7/8Z	UKŁAD DYSZY L580 1D 7/8Z	1						
	65311868	ЛИНИЯ ФОРСУНКИ L748 1D 7/8Z PÜSKÜRTME MEM.HATTI L748 1D 7/8Z	LÍNEA DE BOQUILLA L748 1D 7/8Z	UKŁAD DYSZY L748 1D 7/8Z	1						
	65311871	ЛИНИЯ ФОРСУНКИ RDN 1D 7/8ZD30 L832 PÜSKÜRTME MEM.HATTI RDN 1D 7/8ZD30 L832	LÍNEA DE BOQUILLA RDN 1D 7/8ZD30 L832	UKŁAD DYSZY RDN 1D 7/8ZD30 L832	1						
2490	65311873	ШЛАНГ INOX DN8 L400 ESNEK INOX DN8 L400	FLEXIVEL INOX DN8 L400	PRZEWÓD GIĘTKI INOX DN8 L400	1						
2510	65311564	ЭЛЕКТРОДВИГАТЕЛЬ 0,75KW 230/400V IE3 GMP MOTORU 0,75KW 230/400V IE3 GMP	MOTOR 0,75KW 230/400V IE3 GMP	SILNIK 0,75KW 230/400V IE3 GMP	1						
	65311829	ЭЛЕКТРОДВИГАТЕЛЬ 1,1KW230/400V IE3 GMP MOTORU 1,1KW230/400V IE3 GMP	MOTOR 1,1KW230/400V IE3 GMP	SILNIK 1,1KW230/400V IE3 GMP	1						
	65325517	ЭЛЕКТРОДВИГАТЕЛЬ 1,5KW230/400V IE3 GMP MOTORU 1,5KW230/400V IE3 GMP IP55	MOTOR 1,5KW230/400V IE3 GMP IP55	SILNIK 1,5KW230/400V IE3 GMP IP55	1						
2520	65312206	РЕЛЕ ДАВЛЕНИЯ МАСЛА DSB 158 F931 3-25BAR YAKIT BASINÇ ŞALT. DSB 158 F931 0-25BAR	PRESSOSTATO FUEL DSB 158 F931 0-25BAR	CZUJNIK CIŚ.OLEJU OP.DSB158 F931 0-25BAR	1						
2525	65311615	РАЗЪЕМ HIRSCH GDMW3011 WITH SKIRT PRIZ HIRSCH GDMW3011 WITH SKIRT	TOMADA HIRSCH GDMW3011 WITH SKIRT	GNAZDO HIRSCH GDMW3011 WITH SKIRT	1						
2526	65311616	ПРОКЛАДКА GDM 3-21 CONTASI GDM 3-21	GAXETA GDM 3-21	USZCZELKA GDM 3-21	1						
2550	65311650	СЕРВОДВИГАТЕЛЬ STE 4,5 Q3.51/6+КАБЕЛЬ L3000 SERVOMOTOR STE 4,5 Q3.51/6+KABLOSU L3000	SERVOMOTOR STE 4,5 Q3.51/6+CABO L3000	SERWOMOTOR STE 4,5 Q3.51/6+PRZEWÓD L3000	1						
2555	65311831	ПРОКЛАДЧОНОЕ HEX15X42 M6-M8 PASPAYI HEX15X42 M6-M8	ESPAÇADOR HEX15X42 M6-M8	ROZPÓRKA HEX15X42 M6-M8	1						
2560	65313523	Т-ШТУЦЕР P-TV 10 L T-RAKOR P-TV 10 L	UNIÃO EM T P-TV 10 L	T-ZŁĄCZE P-TV 10 L	1						
2561	65312937	Т-ШТУЦЕР P-ELVD 10 L T-RAKOR P-ELVD 10 L	UNIÃO EM T P-ELVD 10 L	T-ZŁĄCZE P-ELVD 10 L	1						
2562	65312938	Т-ШТУЦЕР P-TV18/18/10L T-RAKOR P-TV18/18/10L	UNIÃO EM T P-TV18/18/10L	T-ZŁĄCZE P-TV18/18/10L	1						
2570	65312935	СЦЕПЛЕНИЕ D10/D8X38-90 KAPLİN D10/D8X38-90	ACOPLAMENTO D10/D8X38-90	ŁĄCZNIK D10/D8X38-90	1						

		 	 	 	
2580	65311412	ПЛАСТИНА СЕРВОДВИГАТЕЛЬ STE SERVOMOTOR STE PLAKA	PRATO DO SERVOMOTOR STE	PLYTA SERWOMOTOR STE	1
2600	65312934	МОНТ.ВОЖДЕ.ГИДРАВ.БЛОК N6/7&EKEVO6/7E BT HIDROL.ÜNİT.DÜZE.SÜRME N6/7&EKEVO6/7E BT	MONT.CONDUÇ.UNID.HIDR. N6/7&EKEVO6/7E BT	MONT.SZKOL.AGREG.HYDR. N6/7&EKEVO6/7E BT	1
2610	65311578	ФИЛЬТР ТОПЛИВА RP3/4 PN16 YAKIT FİLTRESİ RP3/4 PN16	FILTRO FUEL RP3/4 PN16	FILTR OLEJU RP3/4 PN16	1
2700	65311577	НАСОС HP UHE-A3-P-I-4-20 POMPA HP UHE-A3-P-I-4-20	BOMBA HP UHE-A3-P-I-4-20	POMPA HP UHE-A3-P-I-4-20	1
	65311835	НАСОС ТА 5C 30107 POMPA TA 5C 30107	BOMBA TA 5C 30107	POMPA TA 5C 30107	1
	65322994	НАСОС ТА 4C 4010 7 POMPA TA 4C 4010 7	BOMBA TA 4C 4010 7	POMPA TA 4C 4010 7	1
2705	13022666	ЭЛЕКТРОКЛАПАН LUC 321F2523 P8 PG11 19W ELECTROVANA LUC 321F2523 P8 PG11 19W	ELECTROVALVULA LUC 321F2523 P8 PG11 19W	ELEKTROZAWOR LUC 321F2523 P8 PG11 19W	1
2710	13022667	ЭЛЕКТРОКЛАПАН LUC 121F2523 P8 PG11 19W ELECTROVANA LUC 121F2523 P8 PG11 19W	ELECTROVALVULA LUC 121F2523 P8 PG11 19W	ELEKTROZAWOR LUC 121F2523 P8 PG11 19W	1
2750	13019342	ШЛАНГ DN20 M30-M30 L1500 ESNEK DN20 M30-M30 L1500	FLEXIVEL DN20 M30-M30 L1500	PRZEWÓD GIĘTKI DN20 M30-M30 L1500	1
2800	65312299	РЕГУЛЯТОР (ЛЕВ.) 2.5 (CCW) AĞAÇ DÜZENLEMESİ 2.5 (CCW)	VEIO DE REGULAÇÃO 2.5 (CCW)	DRZEWO REGULACJA 2.5 (CCW)	1
	65312300	РЕГУЛЯТОР (ЛЕВ.) 3.0 (CCW) AĞAÇ DÜZENLEMESİ 3.0 (CCW)	VEIO DE REGULAÇÃO 3.0 (CCW)	DRZEWO REGULACJA 3.0 (CCW)	1
	65312302	РЕГУЛЯТОР (ЛЕВ.) 5.0 (CCW) AĞAÇ DÜZENLEMESİ 5.0 (CCW)	VEIO DE REGULAÇÃO 5.0 (CCW)	DRZEWO REGULACJA 5.0 (CCW)	1
	65312303	РЕГУЛЯТОР (ЛЕВ.) 6.0 (CCW) AĞAÇ DÜZENLEMESİ 6.0 (CCW)	VEIO DE REGULAÇÃO 6.0 (CCW)	DRZEWO REGULACJA 6.0 (CCW)	1
3005	65321049	ПРОКЛАДКА/ГАЗОВАЯ РАМПА D125/90X3 CONTASI/GAZ RAMPASI D125/90X3	GAXETA/RAMPA DE GAS D125/90X3	USZCZELKA/RAMPA GAZOWA D125/90X3	1
3010	65311488	КОЛЛЕКТОР В СБОРЕ DN65/RP2 90° 2 G1/4 GAZ KOLEKTOR DN65/RP2 L500 90° 2 G1/4	COLETOR DE GAS DN65/RP2 L500 90° 2 G1/4	KOLEKTOR GAZOW.DN65/RP2 L500 90° 2 G1/4	1
	65311503	КОЛЛЕКТОР В СБОРЕ DN65/RP1 1/2 90° 2G1/4 GAZ KOLEKTOR DN65/RP1 1/2 L500 90° 2G1/4	COLETOR GAS DN65/RP1 1/2 L500 90° 2G1/4	KOLEKTOR GAZOW.DN65/RP1 1/2 90° 2 G1/4	1
3020	65311606	ПРЯМОЙ ШТУЦЕР P-GEV 8LR-WD-VI SAĞ RAKOR P-GEV 8LR-WD-VI	UNIÃO DIREITA P-GEV 8LR-WD-VI	ZŁĄCZE PRAWO P-GEV 8LR-WD-VI	1
3030	65311604	УГЛОВОЙ ШТУЦЕР P-EWV 8-L DIRSEKLI RAKOR P-EWV 8-L	UNIÃO COTOVELO P-EWV 8-L	ZŁĄCZKA TYPU KOLANKO P-EWV 8-L	1
3040	65311579	РОЗЕТКА ДАВЛЕНИЕ G1/4 D9 L27+ПРОКЛАДКА PRIZ BASINCI G1/4 D9 L27+CONTASI	TOMADA PRESSÃO G1/4 D9 L27+GAXETA	WTYCZKA CIŚNIENIE G1/4 D9 L27+USZCZELKA	1
3060	65311580	ГАЗОВЫЙ КЛАПАН VGD20 4011 RP1 1/2 GAZ VANASI VGD20 4011 RP1 1/2	VALVULA GAS VGD20 4011 RP1 1/2	ZAWÓR GAZOWY VGD20 4011 RP1 1/2	1
	65311581	ГАЗОВЫЙ КЛАПАН VGD20 5011 RP2 GAZ VANASI VGD20 5011 RP2	VALVULA GAS VGD20 5011 RP2	ZAWÓR GAZOWY VGD20 5011 RP2	1
3070	65107100	СЕРВОДВИГАТЕЛЬ SKP25.003 E2 БЕЗ КОНЦЕВЫ SERVOMOTOR SKP 25.003 E2 LIMIT ANAHTAR	SERVOMOT. GÁS SKP25.003 E2 SEM FIM CURSO	SERWOSILNIK SKP25.003E2 BEZ WYŁĄCZNIKI	1
3080	65311585	СОЕДИНИТЕЛЬ.КАБЕЛЬ AGA 62 PLUG DIN L270 BAĞLANTI KABLOSU AGA 62 PLUG DIN L270	CABO DE CONEXÃO AGA 62 TOMADA DIN L270	POŁĄCZENIOW. KABEL AGA 62 PLUG DIN L270	1
3090	1478836180	СЕРВОДВИГАТЕЛЬ SKP15.000E2 БЕЗ КОНЦЕВЫ SERVOMOTOR SKP15.000E2 LIMIT ANAHTAR	SERVOMOTOR GAS SKP15.000E2 SEM FIM CURSA	SERWOSILNIK SKP15.000E2 BEZ WYŁĄCZNIKI	1
3110	65300871	ФЛАНЕЦ AGF 10.50 RP2 FLANŞI AGF 10.50 RP2	FLANGE AGF 10.50 RP2	KOŁNIERZ AGF 10.50 RP2	1
	65313107	ФЛАНЕЦ AGF 10.40 RP1 1/2 FLANŞI AGF10 RP1 1/2	FLANGE AGF 10.40 RP1 1/2	KOŁNIERZ AGF 10.40 RP1 1/2	1
3120	13010091	РЕЛЕ ДАВЛЕНИЯ ГАЗА GW 500 A5 30-500MB GAZ BASINÇ ŞALT. GW 500 A5 100-500MB	PRESSOSTATO GAS GW 500 A5 30-500MB	CZUJNIK CIŚ. GAZU GW 500 A5 100-500MB	1
	65311597	РЕЛЕ ДАВЛЕНИЯ ГАЗА GW 150 A6 10-150MB DI GAZ BASINÇ ŞALT. GW 150 A6 10-150MB DIN	PRESSOSTATO GÁS GW 150 A6 5-150MB DIN	CZUJNIK CIŚ. GAZU GW 150 A6 5-150MB DIN	1
3130	65311586	РОЗЕТКА SIEM AGA 64/SKP СЕРВОДВИГАТЕЛЬ PRIZ SIEM AGA 64/SKP SERVOMOTOR	TOMADA SIEM AGA 64/SKP SERVOMOTOR	WTYCZKA SIEM AGA 64/SKP SERVOMOTOR	1
3140	65311615	РАЗЪЕМ HIRSCH GDMW3011 WITH SKIRT PRIZ HIRSCH GDMW3011 WITH SKIRT	TOMADA HIRSCH GDMW3011 WITH SKIRT	GNIAZDO HIRSCH GDMW3011 WITH SKIRT	1
3300	65311458	ГАЗОВ.ФИЛЬТР GF80M-1212-A-1 RP1 1/2 1BAR GAZ FILTR. GF80M-1212-A-1 RP1 1/2 1BAR	FILTRO GÁS GF80M-1212-A-1 RP1 1/2 1BAR	FILTR GAZU GF80M-1212-A-1 RP1 1/2 1BAR	1
	65311459	ГАЗОВЫЙ ФИЛЬТР GF80M-1616-A-1 RP2 1BAR GAZ FILTR. GF80M-1616-A-1 RP2 1BAR	FILTRO GÁS GF80M-1616-A-1 RP2 1BAR	FILTR GAZU GF80M-1616-A-1 RP2 1BAR	1
	65311460	ГАЗОВЫЙ ФИЛЬТР GF65MF-2020-A-1 DN65 1BAR GAZ FILTR. GF65MF-2020-A-1 DN65 1BAR	FILTRO GÁS GF65MF-2020-A-1 DN65 1BAR	FILTR GAZU GF65MF-2020-A-1 DN65 1BAR	1
	65311461	ГАЗОВЫЙ ФИЛЬТР GF80MF-2424-A-1 DN80 1BAR GAZ FILTR. GF80MF-2424-A-1 DN80 1BAR	FILTRO GÁS GF80MF-2424-A-1 DN80 1BAR	FILTR GAZU GF80MF-2424-A-1 DN80 1BAR	1
3301	65311361	ФИЛЬТРУЮЩИЙ ЭЛЕМЕНТ RP 1 1/2+O-RING FILTRE ELEMANI RP 1 1/2+O-RING	ELEMENTO FILTRANTE RP 1 1/2+O-RING	WKŁAD FILTRA RP 1 1/2+O-RING	1
	65311723	ФИЛЬТРУЮЩИЙ ЭЛЕМЕНТ GF 65 MF FILTRE ELEMANI GF 65 MF	ELEMENTO FILTRANTE GF 65 MF	WKŁAD FILTRA GF 65 MF	1

	☞	XXXXXXXX	RU	PT	PL	X
			TR			
			ФИЛЬТРУЮЩИЙ ЭЛЕМЕНТ GF 80 MF FILTRE ELEMANI GF 80 MF	ELEMENTO FILTRANTE GF 80 MF	WKŁAD FILTRA GF 80 MF	1
3505			ПРОКЛАДКА/ГАЗОВАЯ РАМПА D125/90X3 CONTASI/GAZ RAMPASI D125/90X3	GAXETA/RAMPA DE GAS D125/90X3	USZCZELKA/RAMPA GAZOWA D125/90X3	1
3510			КОЛЛЕКТОР В СБОРЕ DN65/RP1 1/2 L500 90° GAZ KOLEKTOR DN65/RP1 1/2 L500 90°	COLETOR DE GAS DN65/RP1 1/2 L500 90°	KOLEKTOR GAZOW.DN65/RP1 1/2 L500 90°	1
			КОЛЛЕКТОР В СБОРЕ DN65/RP2 L500 90° GAZ KOLEKTOR DN65/RP2 L500 90°	COLETOR DE GAS DN65/RP2 L500 90°	KOLEKTOR GAZOW.DN65/RP2 L500 90°	1
3580			ГАЗОВЫЙ КЛ. MBC300SES82 5-80MBAR GAZ VANA. MBC300 SE S82 5-80MB	VÁLVULA GÁS MBC300 SE S82 5-80MB	ZAWÓR GAZ. MBC300SES82 5-80MB	1
			ГАЗОВЫЙ КЛАПАН MBC700SES82RP1 1/4 5-80MB GAZ VANA. MBC700SES82 RP1 1/4 5-80MBAR	VÁLVULA GÁS MBC700SE S82 RP1 1/4 5-80MB	ZAWÓR GAZ. MBC700SES82RP1 1/4 5-80MBAR	1
			ГАЗОВЫЙ КЛАПАН MBC1200 SE S82 RP2 5-80MB GAZ VANASI MBC1200 SE S82 RP2 5-80 MBAR	VALVULA GAS MBC1200 SE S82 RP2 5-80 MBAR	ZAWÓR GAZOWY MBC1200 SE S82 RP2 5-80 MB	1
3620			ФЛАНЕЦ MBC300 RP1 1/2 FLANŞI MBC300 RP1 1/2	FLANGE MBC300 RP1 1/2	KOŁNIERZ MBC300 RP1 1/2	1
			ФЛАНЕЦ MBC700/1200 RP1 1/2 FLANŞI MBC700/1200 RP1 1/2	FLANGE MBC700/1200 RP1 1/2	KOŁNIERZ MBC700/1200 RP1 1/2	1
			ФЛАНЕЦ MBC700/1200 RP2 FLANŞI MBC700/1200 RP2	FLANGE MBC700/1200 RP2	KOŁNIERZ MBC700/1200 RP2	1
3640			РЕЛЕ ДАВЛЕНИЯ ГАЗА GW 500 A5 30-500MB GAZ BASINÇ ŞALT. GW 500 A5 100-500MB	PRESSOSTATO GAS GW 500 A5 30-500MB	CZUJNIK CIŚ. GAZU GW 500 A5 100-500MB	1
			РЕЛЕ ДАВЛЕНИЯ ГАЗА GW 150 A5 30-150MB GAZ BASINÇ ŞALT. GW 150 A5 5-150MB	PRESSOSTATO GAS GW 150 A5 5-150MB	CZUJNIK CIŚ. GAZU GW 150 A5 5-150MB	1
3650			РАЗЪЕМ HIRSCH GDMW3011 WITH SKIRT PRIZ HIRSCH GDMW3011 WITH SKIRT	TOMADA HIRSCH GDMW3011 WITH SKIRT	GNIAZDO HIRSCH GDMW3011 WITH SKIRT	1
3700			ФИЛЬТРУЮЩИЙ ЭЛЕМЕНТ MBC 300 FILTRE ELEMANI MBC 300	ELEMENTO FILTRANTE MBC 300	WKŁAD FILTRA MBC 300	1
			ФИЛЬТРУЮЩИЙ ЭЛЕМЕНТ MBC 700 FILTRE ELEMANI MBC 700	ELEMENTO FILTRANTE MBC 700	WKŁAD FILTRA MBC 700	1
			ФИЛЬТРУЮЩИЙ ЭЛЕМЕНТ MBC 1200 FILTRE ELEMANI MBC 1200	ELEMENTO FILTRANTE MBC 1200	WKŁAD FILTRA MBC 1200	1
3800			ГАЗОВЫЙ ФИЛЬТР GF80M-1212-A-1 RP1 1/2 1BAR GAZ FILTR. GF80M-1212-A-1 RP1 1/2 1BAR	FILTRO GÁS GF80M-1212-A-1 RP1 1/2 1BAR	FILTR GAZU GF80M-1212-A-1 RP1 1/2 1BAR	1
			ГАЗОВЫЙ ФИЛЬТР GF80M-1616-A-1 RP2 1BAR GAZ FILTR. GF80M-1616-A-1 RP2 1BAR	FILTRO GÁS GF80M-1616-A-1 RP2 1BAR	FILTR GAZU GF80M-1616-A-1 RP2 1BAR	1
			ГАЗОВЫЙ ФИЛЬТР GF65MF-2020-A-1 DN65 1BAR GAZ FILTR. GF65MF-2020-A-1 DN65 1BAR	FILTRO GÁS GF65MF-2020-A-1 DN65 1BAR	FILTR GAZU GF65MF-2020-A-1 DN65 1BAR	1
			ГАЗОВЫЙ ФИЛЬТР GF80MF-2424-A-1 DN80 1BAR GAZ FILTR. GF80MF-2424-A-1 DN80 1BAR	FILTRO GÁS GF80MF-2424-A-1 DN80 1BAR	FILTR GAZU GF80MF-2424-A-1 DN80 1BAR	1
3801			ФИЛЬТРУЮЩИЙ ЭЛЕМЕНТ RP 1 1/2+O-RING FILTRE ELEMANI RP 1 1/2+O-RING	ELEMENTO FILTRANTE RP 1 1/2+O-RING	WKŁAD FILTRA RP 1 1/2+O-RING	1
			ФИЛЬТРУЮЩИЙ ЭЛЕМЕНТ GF 65 MF FILTRE ELEMANI GF 65 MF	ELEMENTO FILTRANTE GF 65 MF	WKŁAD FILTRA GF 65 MF	1
			ФИЛЬТРУЮЩИЙ ЭЛЕМЕНТ GF 80 MF FILTRE ELEMANI GF 80 MF	ELEMENTO FILTRANTE GF 80 MF	WKŁAD FILTRA GF 80 MF	1
4005			ПРОКЛАДКА/ГАЗОВАЯ РАМПА D125/90X3 CONTASI/GAZ RAMPASI D125/90X3	GAXETA/RAMPA DE GAS D125/90X3	USZCZELKA/RAMPA GAZOWA D125/90X3	1
4010			КОЛЛЕКТОР В СБОРЕ DN65/DN80 L500 90° GAZ KOLEKTOR DN65/DN80 L500 90°	COLETOR DE GAS DN65/DN80 L500 90°	KOLEKTOR GAZOW.DN65/DN80 L500 90°	1
			КОЛЛЕКТОР В СБОРЕ DN65/DN65 L500 90° GAZ KOLEKTOR DN65/DN65 L500 90°	COLETOR DE GAS DN65/DN65 L500 90°	KOLEKTOR GAZOW.DN65/DN65 L500 90°	1
			КОЛЛЕКТОР В СБОРЕ DN65/DN100 L502 90° GAZ KOLEKTOR DN65/DN100 L502 90°	COLETOR DE GAS DN65/DN100 L502 90°	KOLEKTOR GAZOW.DN65/DN100 L502 90°	1
			КОЛЛЕКТОР В СБОРЕ DN65/DN125 L500 90° GAZ KOLEKTOR DN65/DN125 L500 90°	COLETOR DE GAS DN65/DN125 L500 90°	KOLEKTOR GAZOW.DN65/DN125 L500 90°	1
4020			ПРЯМОЙ ШТУЦЕР P-EGES 12L/R 1/4WD SAĞ RAKOR P-EGES 12L/R 1/4WD	CONEXÃO DIREITA P-EGES 12L/R 1/4WD	ZŁĄCZE PRAWO P-EGES 12L/R 1/4WD	1
4030			ШТУЦЕР P-KV12L RAKOR P-KV12L	CONEXÃO P-KV12L	ZŁĄCZE P-KV12L	1
4040			УГЛОВОЙ ШТУЦЕР P-EWS 12 L-SS DIRSEKLI RAKOR P-EWS 12 L-SS	UNIÃO COTOVELO P-EWS 12 L-SS	ZŁĄCZKA TYPU KOLANKO P-EWS 12 L-SS	1
4060			КРЫШКА D15/10X21 VSD 12L/S O.M.MB TAPA D15/10X21 VSD 12L/S O.M.MB	TAMPA D15/10X21 VSD 12L/S O.M.MB	NAKRĘTKA D15/10X21 VSD 12L/S O.M.MB	1
4080			ГАЗОВЫЙ КЛАПАН VGD40 125 DN125 GAZ VANASI VGD40 125 DN125	VALVULA GAS VGD40 125 DN125	ZAWÓR GAZOWY VGD40 125 DN125	1
			ГАЗОВЫЙ КЛАПАН VGD40 080 DN80 GAZ VANASI VGD40 080 DN80	VALVULA GAS VGD40 080 DN80	ZAWÓR GAZOWY VGD40 080 DN80	1
			ГАЗОВЫЙ КЛАПАН VGD40 100 DN100 GAZ VANASI VGD40 100 DN100	VALVULA GAS VGD40 100 DN100	ZAWÓR GAZOWY VGD40 100 DN100	1
			ГАЗОВЫЙ КЛАПАН VGD40 065 DN65 GAZ VANASI VGD40 065 DN65	VÁLVULA GÁS VGD40 065 DN65	ZAWÓR GAZOWY VGD40 065 DN65	1

		 			
4090	65107100	СЕРВОДВИГАТЕЛЬ SKP25.003 E2 БЕЗ КОНЦЕВЫ SERVOMOTOR SKP 25.003 E2 LIMIT ANAHTAR	SERVOMOT. GÁS SKP25.003 E2 SEM FIM CURSO	SERWOSILNIK SKP25.003E2 BEZ WYŁĄCZNIKI	1
4100	65311585	СОЕДИНИТЕЛЬ.КАБЕЛЬ AGA 62 PLUG DIN L270 BAĞLANTI KABLOSU AGA 62 PLUG DIN L270	CABO DE CONEXÃO AGA 62 TOMADA DIN L270	POŁĄCZENIOW. KABEL AGA 62 PLUG DIN L270	1
4110	1478836180	СЕРВОДВИГАТЕЛЬ SKP15.000E2 БЕЗ КОНЦЕВЫ SERVOMOTOR SKP15.000E2 LIMIT ANAHTAR	SERVOMOTOR GAS SKP15.000E2 SEM FIM CURSA	SERWOSILNIK SKP15.000E2 BEZ WYŁĄCZNIKI	1
4120	65311342	ПРОКЛАДКА/ГАЗОВАЯ РАМПА D218/169X2 DN150 CONTASI/GAZ RAMPASI D218/169X2 DN150	GAXETA/RAMPA DE GAS D218/169X2 DN150	USZCZELKA/RAMPA GAZOWA D218/169X2 DN150	1
	65311611	ПРОКЛАДКА/ГАЗОВАЯ РАМПА D127/77X2 DN65 CONTASI/GAZ RAMPASI D127/77X2 DN65	GAXETA/RAMPA DE GAS D127/77X2 DN65	USZCZELKA/RAMPA GAZOWA D127/77X2 DN65	1
	65311612	ПРОКЛАДКА/ГАЗОВАЯ РАМПА D142/90X2 DN80 CONTASI/GAZ RAMPASI D142/90X2 DN80	GAXETA/RAMPA DE GAS D142/90X2 DN80	USZCZELKA/RAMPA GAZOWA D142/90X2 DN80	1
	65311613	ПРОКЛАДКА/ГАЗОВАЯ РАМПА D162/115X2 DN100 CONTASI/GAZ RAMPASI D162/115X2 DN100	GAXETA/RAMPA DE GAS D162/115X2 DN100	USZCZELKA/RAMPA GAZOWA D162/115X2 DN100	1
	65311614	ПРОКЛАДКА/ГАЗОВАЯ РАМПА D192/141X2 DN125 CONTASI/GAZ RAMPASI D192/141X2 DN125	GAXETA/RAMPA DE GAS D192/141X2 DN125	USZCZELKA/RAMPA GAZOWA D192/141X2 DN125	1
4130	65311586	РОЗЕТКА SIEM AGA 64/SKP СЕРВОДВИГАТЕЛЬ PRIZ SIEM AGA 64/SKP SERVOMOTOR	TOMADA SIEM AGA 64/SKP SERVOMOTOR	WTYCZKA SIEM AGA 64/SKP SERWOMOTOR	1
4140	65311615	РАЗЪЕМ HIRSCH GDMW3011 WITH SKIRT PRIZ HIRSCH GDMW3011 WITH SKIRT	TOMADA HIRSCH GDMW3011 WITH SKIRT	GNIAZDO HIRSCH GDMW3011 WITH SKIRT	1
4150	13010091	РЕЛЕ ДАВЛЕНИЯ ГАЗА GW 500 A5 30-500MB GAZ BASINÇ ŞALT. GW 500 A5 100-500MB	PRESSOSTATO GAS GW 500 A5 30-500MB	CZUJNIK CIŚ. GAZU GW 500 A5 100-500MB	1
	65311597	РЕЛЕ ДАВЛЕНИЯ ГАЗА GW 150 A6 10-150MB DI GAZ BASINÇ ŞALT. GW 150 A6 10-150MB DIN	PRESSOSTATO GÁS GW 150 A6 5-150MB DIN	CZUJNIK CIŚ. GAZU GW 150 A6 5-150MB DIN	1
4300	65311460	ГАЗОВЫЙ ФИЛЬТР GF65MF-2020-A-1 DN65 1BAR GAZ FILTR. GF65MF-2020-A-1 DN65 1BAR	FILTRO GÁS GF65MF-2020-A-1 DN65 1BAR	FILTR GAZU GF65MF-2020-A-1 DN65 1BAR	1
	65311461	ГАЗОВЫЙ ФИЛЬТР GF80MF-2424-A-1 DN80 1BAR GAZ FILTR. GF80MF-2424-A-1 DN80 1BAR	FILTRO GÁS GF80MF-2424-A-1 DN80 1BAR	FILTR GAZU GF80MF-2424-A-1 DN80 1BAR	1
	65311462	ГАЗОВЫЙ ФИЛЬТР GF100MF-3232-A-1 DN100 1B GAZ FILTR. GF100MF-3232-A-1 DN100 1BAR	FILTRO GÁS GF100MF-3232-A-1 DN100 1BAR	FILTR GAZU GF100MF-3232-A-1 DN100 1BAR	1
	65311463	ГАЗОВЫЙ ФИЛЬТР GF125MF-4040-A-1 DN125 1B GAZ FILTR. GF125MF-4040-A-1 DN125 1BAR	FILTRO GÁS GF125MF-4040-A-1 DN125 1BAR	FILTR GAZU GF125MF-4040-A-1 DN125 1BAR	1
	65311892	ГАЗОВЫЙ ФИЛЬТР GF150MF-4848-A-1 DN150 1B GAZ FILTR. GF150MF-4848-A-1 DN150 1BAR	FILTRO GÁS GF150MF-4848-A-1 DN150 1BAR	FILTR GAZU GF150MF-4848-A-1 DN150 1BAR	1
4301	65311623	ФИЛЬТРУЮЩИЙ ЭЛЕМЕНТ GF 150 MF FILTRE ELEMANI GF 150 MF	ELEMENTO FILTRANTE GF 150 MF	WKŁAD FILTRA GF 150 MF	1
	65311723	ФИЛЬТРУЮЩИЙ ЭЛЕМЕНТ GF 65 MF FILTRE ELEMANI GF 65 MF	ELEMENTO FILTRANTE GF 65 MF	WKŁAD FILTRA GF 65 MF	1
	65311888	ФИЛЬТРУЮЩИЙ ЭЛЕМЕНТ GF 80 MF FILTRE ELEMANI GF 80 MF	ELEMENTO FILTRANTE GF 80 MF	WKŁAD FILTRA GF 80 MF	1
	65311889	ФИЛЬТРУЮЩИЙ ЭЛЕМЕНТ GF 100 MF FILTRE ELEMANI GF 100 MF	ELEMENTO FILTRANTE GF 100 MF	WKŁAD FILTRA GF 100 MF	1
	65311890	ФИЛЬТРУЮЩИЙ ЭЛЕМЕНТ GF 125 MF FILTRE ELEMANI GF 125 MF	ELEMENTO FILTRANTE GF 125 MF	WKŁAD FILTRA GF 125 MF	1
4505	65321049	ПРОКЛАДКА/ГАЗОВАЯ РАМПА D125/90X3 CONTASI/GAZ RAMPASI D125/90X3	GAXETA/RAMPA DE GAS D125/90X3	USZCZELKA/RAMPA GAZOWA D125/90X3	1
4510	65311494	КОЛЛЕКТОР В СБОРЕ DN65/DN80 L500 90° GAZ KOLEKTOR DN65/DN80 L500 90°	COLETOR DE GAS DN65/DN80 L500 90°	KOLEKTOR GAZOW.DN65/DN80 L500 90°	1
	65311506	КОЛЛЕКТОР В СБОРЕ DN65/DN65 L500 90° GAZ KOLEKTOR DN65/DN65 L500 90°	COLETOR DE GAS DN65/DN65 L500 90°	KOLEKTOR GAZOW.DN65/DN65 L500 90°	1
	65311508	КОЛЛЕКТОР В СБОРЕ DN65/DN100 L502 90° GAZ KOLEKTOR DN65/DN100 L502 90°	COLETOR DE GAS DN65/DN100 L502 90°	KOLEKTOR GAZOW.DN65/DN100 L502 90°	1
4520	65311601	ПРЯМОЙ ШТУЦЕР P-EGES 12/LR 1/4WD SAĞ RAKOR P-EGES 12/LR 1/4WD	CONEXÃO DIREITA P-EGES 12/LR 1/4WD	ZŁĄCZE PRAWO P-EGES 12/LR 1/4WD	1
4530	65311344	T-ШТУЦЕР P-TV 12 L T-RAKOR P-TV 12 L	CONEXÃO EM T P-TV 12 L	T-ZŁĄCZKA P-TV 12 L	1
4560	65311607	КРЫШКА D15/10X21 VSD 12/L S.O.M.MB TAPA D15/10X21 VSD 12/L S.O.M.MB	TAMPA D15/10X21 VSD 12/L S.O.M.MB	NAKRĘTKA D15/10X21 VSD 12/L S.O.M.MB	1
4580	65311844	ГАЗОВЫЙ КЛАПАН MBC1900SE DN65 40-80MBAR GAZ VANASI MBC1900SE DN65 40-80 MBAR	VÁLVULA GÁS MBC1900SE DN65 40-80MBAR	ZAWÓR GAZ. MBC1900SE DN65 40-80 MBAR	1
	65311845	ГАЗОВЫЙ КЛАПАН MBC3100SE DN80 40-80MBAR GAZ VANASI MBC3100SE DN80 40-80 MBAR	VÁLVULA GÁS MBC3100 SE DN80 40-80 MBAR	ZAWÓR GAZ. MBC3100SE DN80 40-80 MBAR	1
	65311846	ГАЗОВЫЙ КЛАПАН MBC5000SE DN100 40-80MB GAZ VANASI MBC5000 SE DN100 40-80 MB	VÁLVULA GÁS MBC5000 SE DN100 40-80 MBAR	ZAWÓR GAZ.MBC5000SE DN100 40-80MBAR	1
4620	65311342	ПРОКЛАДКА/ГАЗОВАЯ РАМПА D218/169X2 DN150 CONTASI/GAZ RAMPASI D218/169X2 DN150	GAXETA/RAMPA DE GAS D218/169X2 DN150	USZCZELKA/RAMPA GAZOWA D218/169X2 DN150	1
	65311611	ПРОКЛАДКА/ГАЗОВАЯ РАМПА D127/77X2 DN65 CONTASI/GAZ RAMPASI D127/77X2 DN65	GAXETA/RAMPA DE GAS D127/77X2 DN65	USZCZELKA/RAMPA GAZOWA D127/77X2 DN65	1
	65311612	ПРОКЛАДКА/ГАЗОВАЯ РАМПА D142/90X2 DN80 CONTASI/GAZ RAMPASI D142/90X2 DN80	GAXETA/RAMPA DE GAS D142/90X2 DN80	USZCZELKA/RAMPA GAZOWA D142/90X2 DN80	1
	65311613	ПРОКЛАДКА/ГАЗОВАЯ РАМПА D162/115X2 DN100 CONTASI/GAZ RAMPASI D162/115X2 DN100	GAXETA/RAMPA DE GAS D162/115X2 DN100	USZCZELKA/RAMPA GAZOWA D162/115X2 DN100	1



ADDRESSES

<https://www.elco-burners.com>

www.elco.net



LIST OF THE ABBREVIATIONS

-  : Maintenance parts / Pièces d'entretien / Materiali di consumo /
: Piezas de mantenimiento / Hilfsmaterial / Onderhoudsonderdelen
-  : Wearing parts / Pièces d'usure / Parti di usura
: Piezas de desgaste / Verschleissteile / Slijtageonderdelen
- * : Item not stocked, manufactured to order / Article non stocké, fabrication à la demande /
: Articolo non a magazzino, produzione all'ordine / Artículo no almacenado, fabricación previa solicitud /
: Keine Lagerware, wird bei Bedarf bestellt, Artikel niet op voorraad, fabricage op bestelling

IDENTIFICATION PLATE

SERIAL NUMBER

7 Characters : 00001 / K A

Sequential number ————|———|———|———|———|———|———|

Trimester of manufacture : from A to D
Year of manufacture : —————> K → 2003
L → 2004
M → 2005
etc ...

8 Characters : 00001 / L 09

Sequential number ————|———|———|———|———|———|———|

Month of manufacture
Year of manufacture : —————> K → 2003
L → 2004
M → 2005
etc ...

11 Characters : 2007 1370 P 07

Year of manufacture ————|———|———|———|———|———|———|

Month of manufacture
Year of manufacture : P → 2007
R → 2008
S → 2009
T → 2010
U → 2011
W → 2012
X → 2013
Y → 2014
Z → 2015

18 Characters : 070115 000000000001

Sequential number
Manufacturing day (07) / Month (01) / Year (15)

The indications mentioned on the prices, commercial or technical literature and the scheme are written for your guidance and are available at a given time. The CONSTRUCTOR retains the power to modify the presentation, the form, the size, the conception or the material of the products.