



# SPARE PARTS EXPLODED VIEW

## DUAL-FUEL BURNERS

Model

### **CB-EKEVO6/7 GL-EF3**

R8220165-01 - 18/08/2016

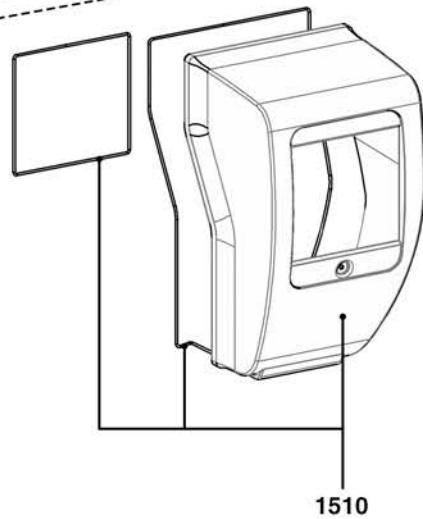
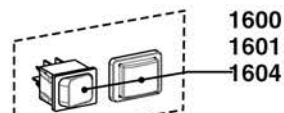
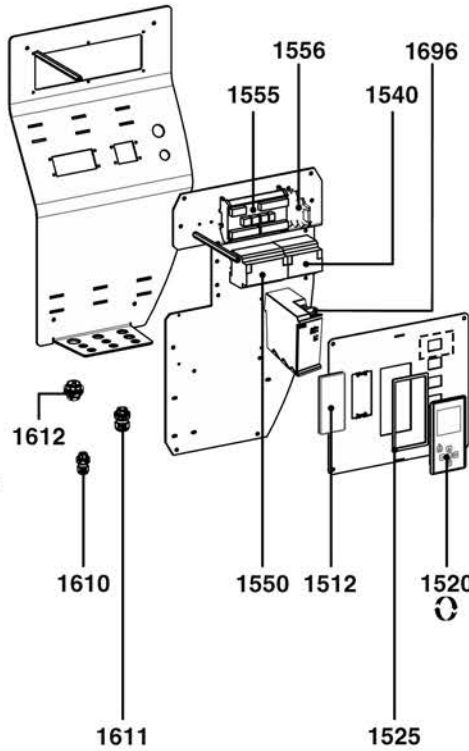
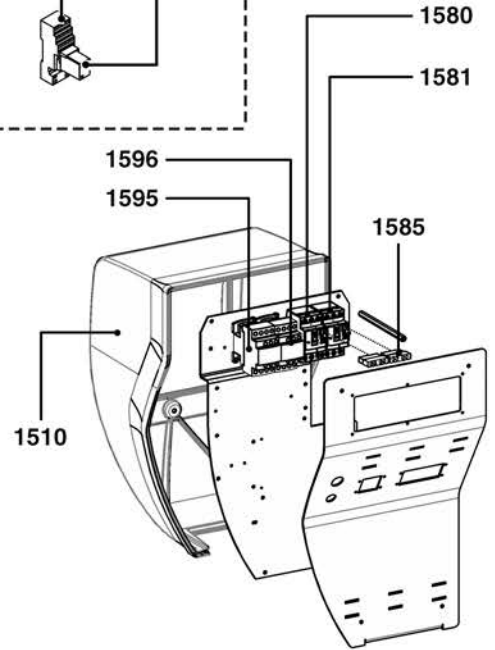
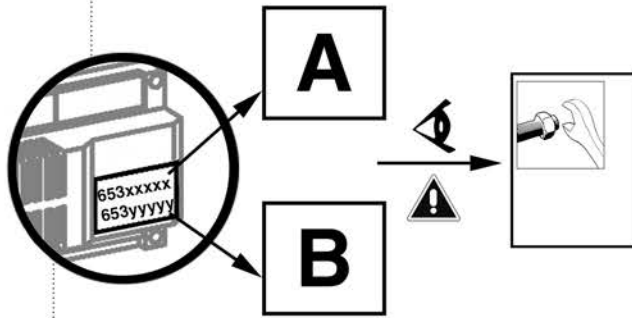
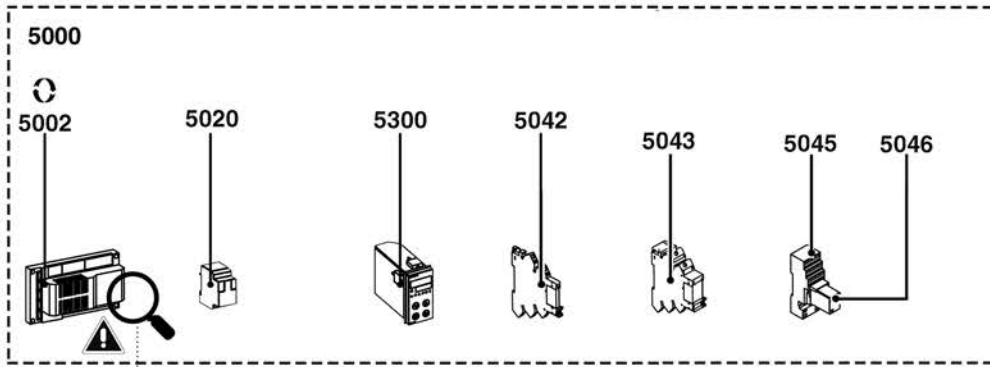
1	3754521	EKEVO 6.2400 GL-EF3/BT3/KN	01-2016	-
1	3754525	EKEVO 6.2400 GL-EF3/BT3/KM	01-2016	-
1	3754529	EKEVO 6.2400 GL-EF3/BT3/KL	01-2016	-
2	3754522	EKEVO 6.2900 GL-EF3/BT3/KN	01-2016	-
2	3754526	EKEVO 6.2900 GL-EF3/BT3/KM	01-2016	-
2	3754530	EKEVO 6.2900 GL-EF3/BT3/KL	01-2016	-
3	3754523	EKEVO 7.3600 GL-EF3/BT3/KN	01-2016	-
3	3754527	EKEVO 7.3600 GL-EF3/BT3/KM	01-2016	-
3	3754531	EKEVO 7.3600 GL-EF3/BT3/KL	01-2016	-
4	3754524	EKEVO 7.4500 GL-EF3/BT3/KN	01-2016	-
4	3754528	EKEVO 7.4500 GL-EF3/BT3/KM	01-2016	-
4	3754532	EKEVO 7.4500 GL-EF3/BT3/KL	01-2016	-
5	3750525	GT-s451-1"1/2	01-2014	-
6	3750526	GT-s452-2"	01-2014	-
7	3750509	GT-d451-1"1/4	01-2014	-
8	3750510	GT-d452-1"1/2	01-2014	-
9	3750511	GT-d453-2"	01-2014	-
10	3750527	GT-s453-65	01-2014	-
11	3750528	GT-s454-80	01-2014	-
12	3750529	GT-s455-100	01-2014	-
13	3750530	GT-s456-125	01-2014	-
14	3750512	GT-d454-65	01-2014	-
15	3750513	GT-d455-80	01-2014	-
16	3750514	GT-d456-100	01-2014	-

Col	Reference	Model type	Begin	End
-----	-----------	------------	-------	-----



☉⇒	Description	Manf. Pt. N	Type	<div style="display: flex; justify-content: space-between; font-size: 8px;"> <span>EKEVO 6-2400 GL-EF3/BT3</span> <span>EKEVO 6-2900 GL-EF3/BT3</span> <span>EKEVO 7-3800 GL-EF3/BT3</span> <span>EKEVO 7-4500 GL-EF3/BT3</span> <span>GT-9451-11/12</span> <span>GT-9452-2"</span> <span>GT-9451-11/4</span> <span>GT-9453-2"</span> <span>GT-9453-65</span> <span>GT-9454-80</span> <span>GT-9455-100</span> <span>GT-9456-125</span> <span>GT-9457-85</span> <span>GT-9458-80</span> <span>GT-9459-100</span> </div>																		From	to
				1	2	3	4	5	6	7	8	9	10	11	12	13	14	15	16	17	18		
	<b>1000 BURNER BODY</b>																						
1020	AIR BOX COVER	65312332		•	•	•	•																
1030	SOUND INSULATION/AIR BOX	65312333		•	•	•	•																
1040	AIR GUIDING PIECE	65311474					•	•															
	AIR GUIDING PIECE	65311490		•	•																		
1050	COLORLESS SIGHT GLASS D55X21	1180603227		•	•	•	•																
1060	SIGHT GLASS COVER D55X61	1188052260		•	•	•	•																
1070	NUT/SIGHT GLASS M48X1,5 SW60	1180559591		•	•	•	•																
1080	FAN WHEEL D438/225X89 D28+PLATE D58/12	65311489		•	•																		
	FAN WHEEL D485/252X102 D38+PLATE D58/12	65311822					•	•															
1090	IGNITION TRANSFORMER EBI 1X11 230V	65311471		•	•	•	•																
1091	IGNITION TRANSFORMER EBI 2X7,5 230V	65310925		•	•	•	•																
1094	HOLDER FOR FLAME DETECTOR FFS06/FFS08	65312242		•	•	•	•																
1095	PHOTOCELL FFS 08-T (IR) L5000	65312487		•	•	•	•																
1100	MIRROR/SIGHT GLASS	65311472		•	•	•	•																
1110	AIR PRESS.SWITCH LGW 50 A2P 2,5-50MB	65311595		•	•	•	•																
1120	GAS FLAP+ACTUATOR ASSEMBLY	65312321		•	•	•	•																
1121	GAS FLAP ASSEMBLY	65312322		•	•	•	•																
1122	GAS ACTUAT. ASSB. STE4.5 B037/6-R 0,8NM	65312323		•	•	•	•																
1123	GROMMET DIM.34X15/12 D.6,2	65312458		•	•	•	•																
1150	ACTUATOR STE4,5 Q3.51/6 3NM R (BT3XX)	65311650		•	•	•	•																
1160	ACTUATOR STE 4,5 B037/6 R	65300980		•	•	•	•																
1161	ACTUATOR COVER	65312327		•	•	•	•																
1170	MOTOR 3,0KW 230/400V D28 IE2 BLACK	65312555		•																			
	MOTOR 4,0KW 400/690V D28 IE2 BLACK	65312556			•																		
	MOTOR 7,5KW 400/690V D38 IE3 BLACK	65312558				•	•																
1200	AIR FLAP ASSEMBLY	65312328		•	•	•	•																
1201	AIR FLAP DRIVING LEVER	65312331		•	•	•	•																
1202	CARDAN ROD D10X145 M6 AIR FLAP	65312330		•	•	•	•																
1203	SPINDLE / AIR FLAP D34/25X100 FLAT L55	65312329		•	•	•	•																
1204	SPINDLE / AIR FLAP D34/25X100 W.POINTER	65312459		•	•	•	•																
	<b>5000 ACCESSORY</b>																						
5035	EXTERNAL SENSOR NAMUR NI5-G12-Y1	65312550		•	•	•	•																
5060	CABLE GLAND M20X1,5 SKINTOP MS-SC-M(EMC)	65313884	FC EXT	•																			
	CABLE GLAND M25X1,5 SKINTOP MS-SC-M(EMC)	65313885	FC EXT		•	•	•																



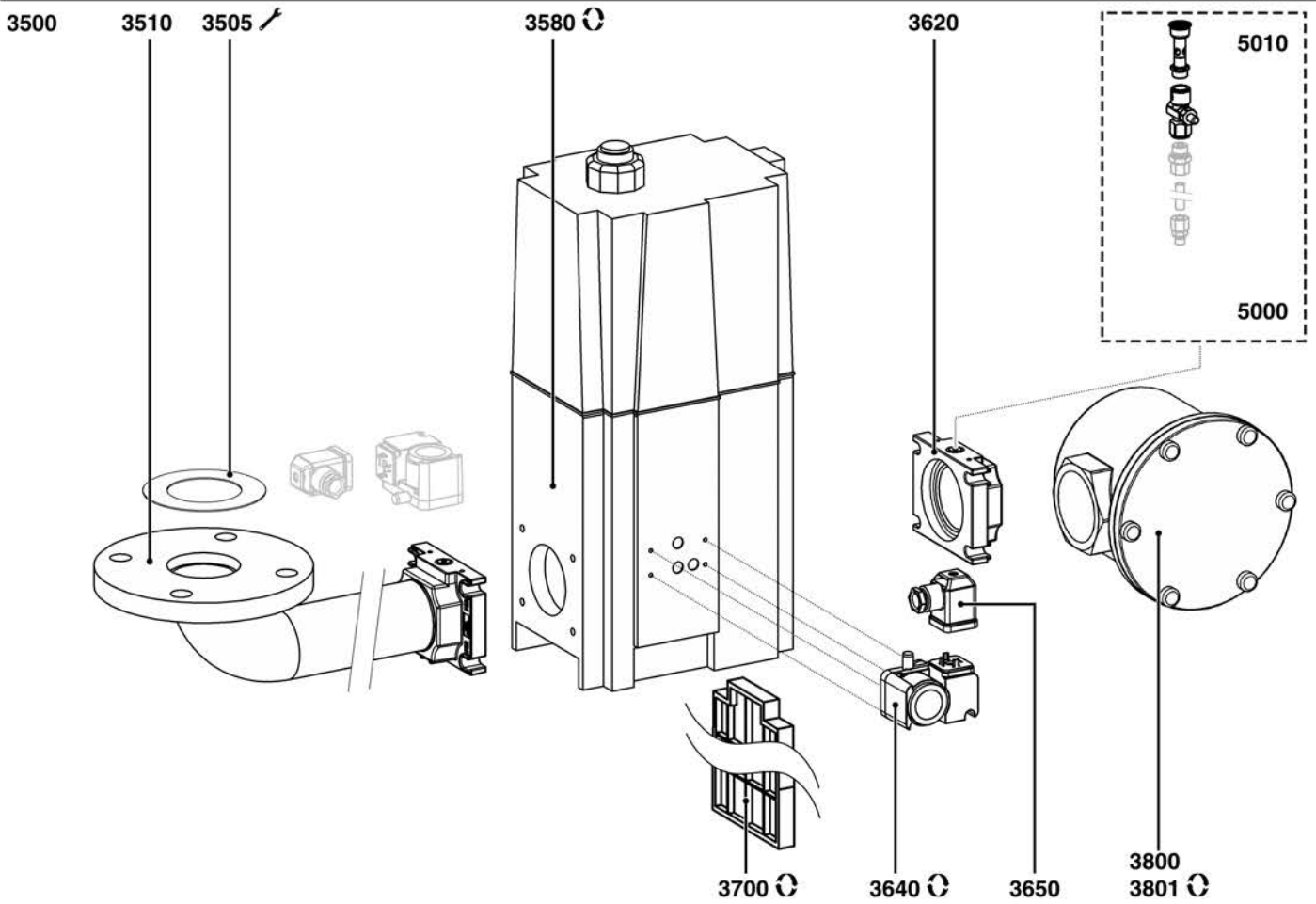
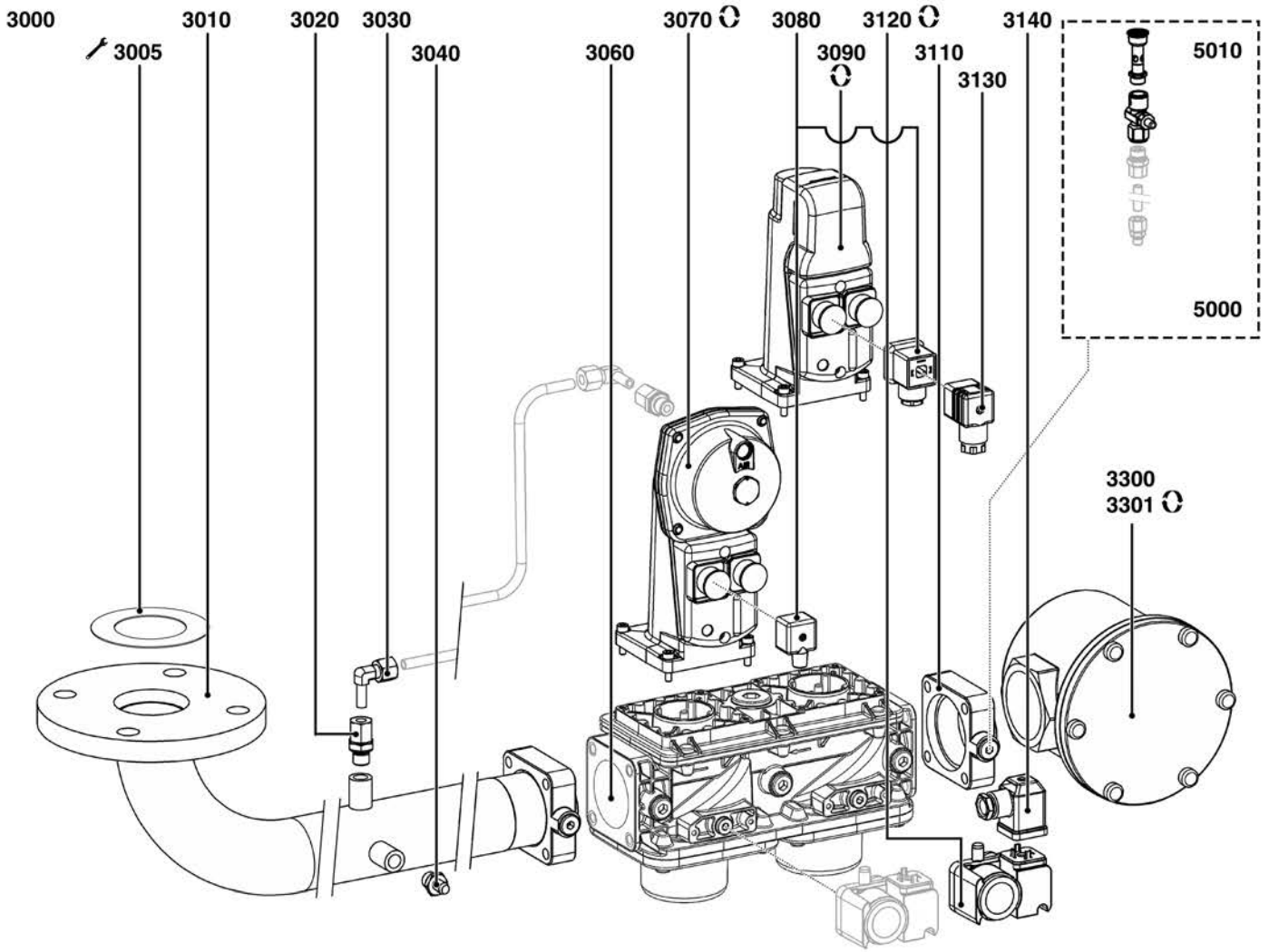




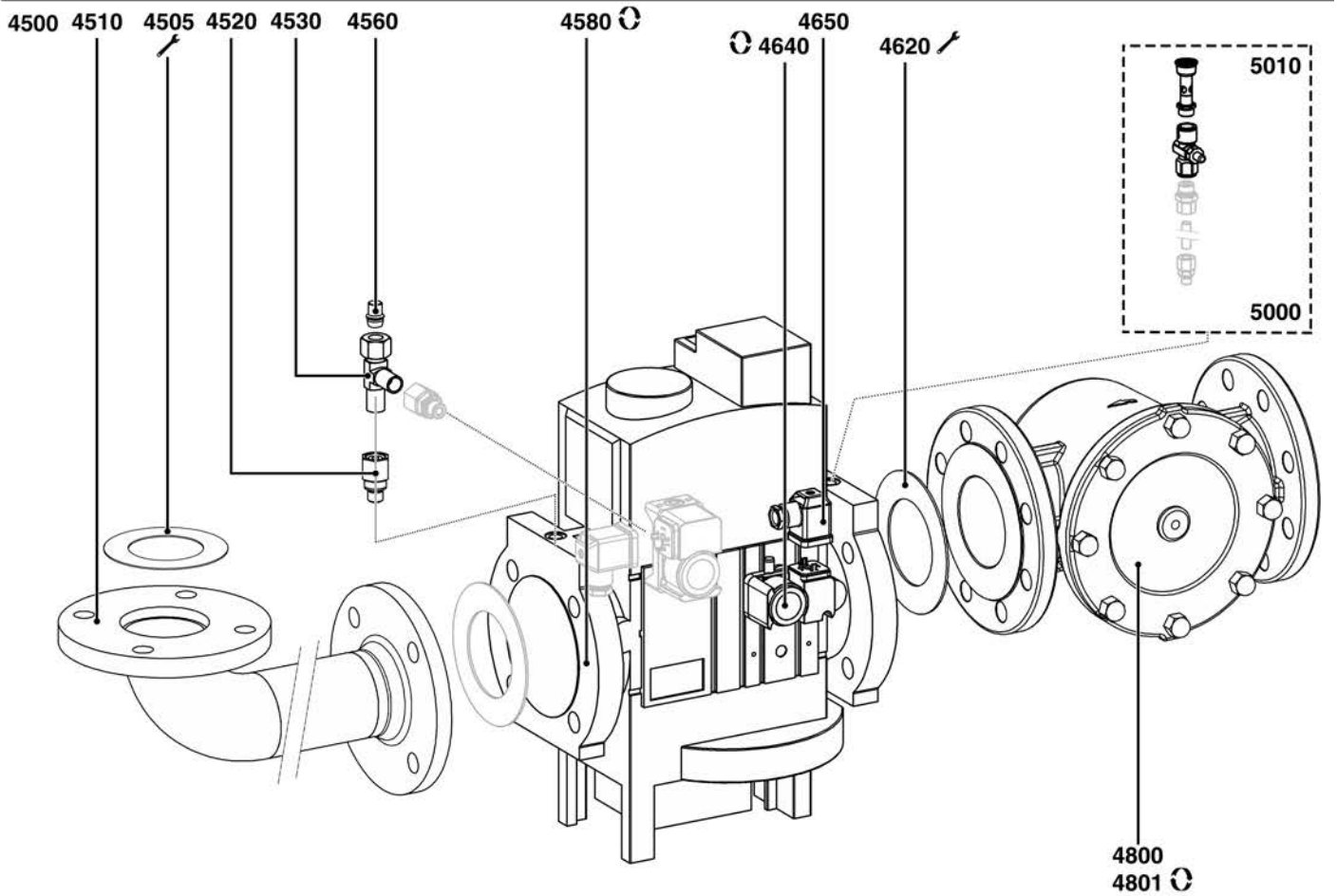
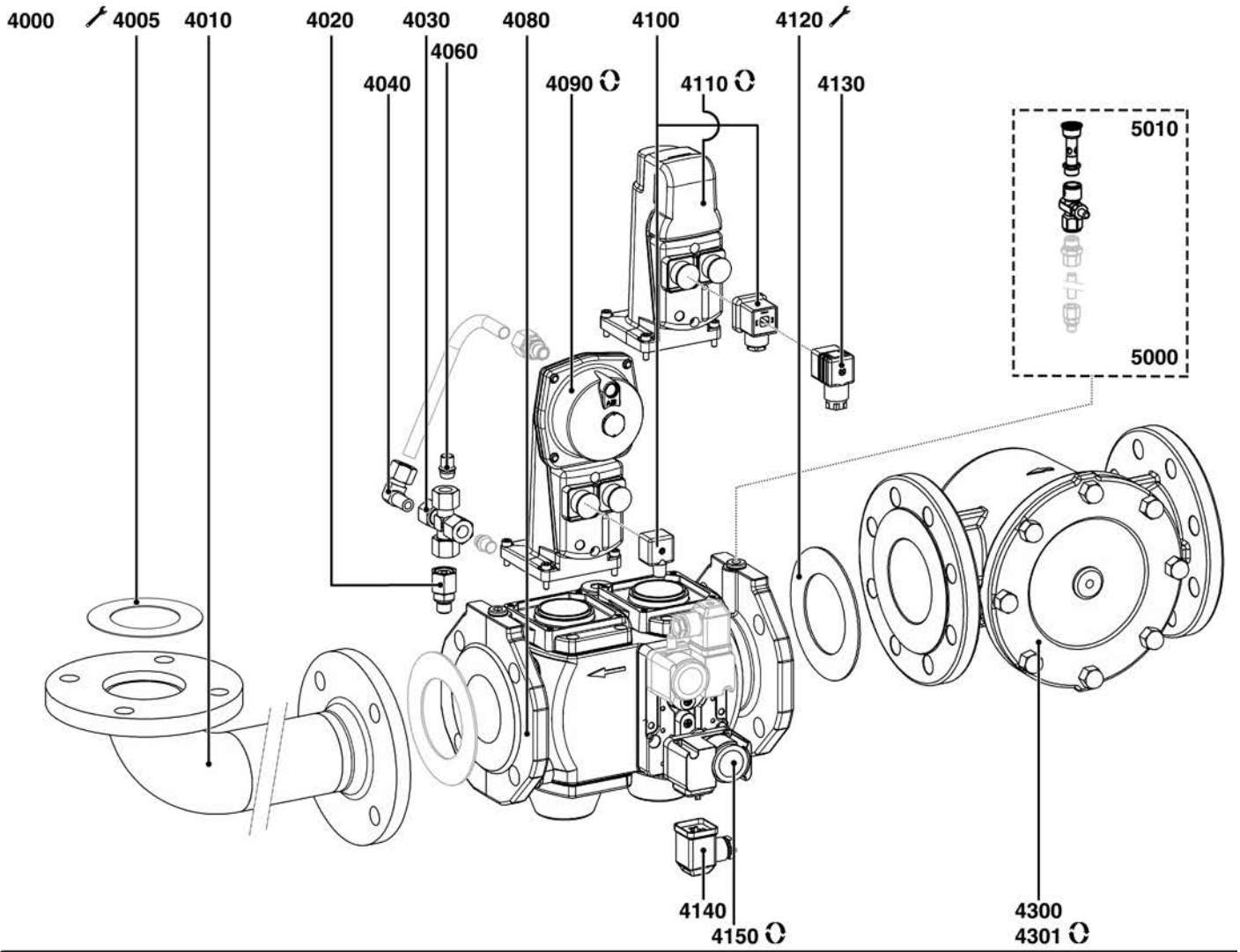




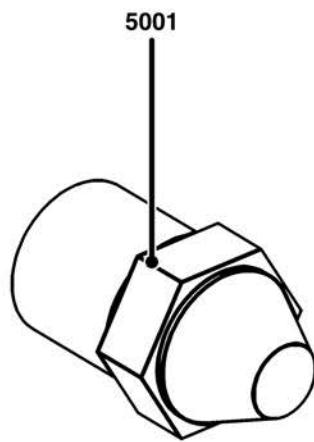
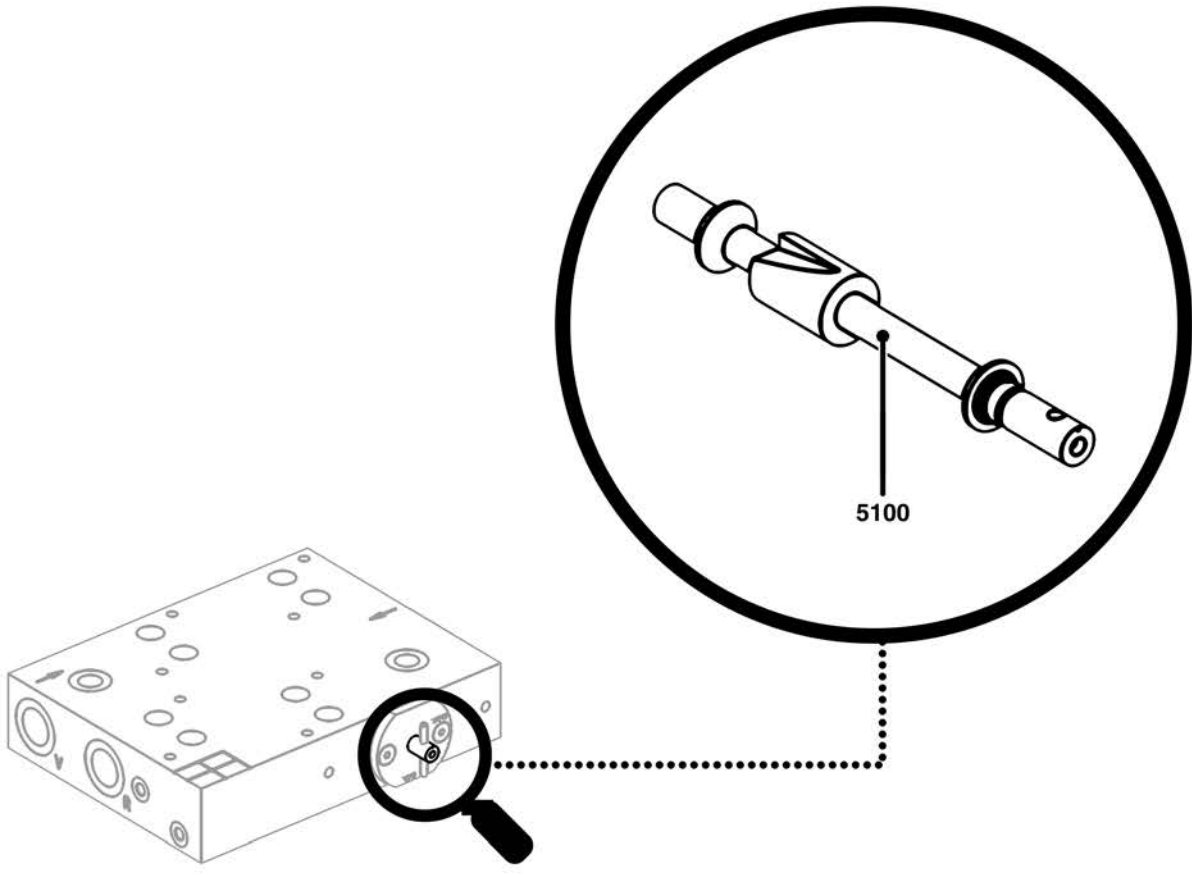




☉⇒	Description	Manf. Pt. N	Type	<div style="display: flex; justify-content: space-between; font-size: small;"> <span>EKEVO 6-2400 GL-EF3/BT3</span> <span>EKEVO 6-2900 GL-EF3/BT3</span> <span>EKEVO 7-3800 GL-EF3/BT3</span> <span>EKEVO 7-4500 GL-EF3/BT3</span> <span>GT-9451-11/2</span> <span>GT-9452-2"</span> <span>GT-9451-11/4</span> <span>GT-9452-11/2</span> <span>GT-9453-65</span> <span>GT-9454-80</span> <span>GT-9455-100</span> <span>GT-9456-125</span> <span>GT-9457-85</span> <span>GT-9458-80</span> <span>GT-9459-100</span> </div>																		From	to
				1	2	3	4	5	6	7	8	9	10	11	12	13	14	15	16	17	18		
<b>3000</b>	<b>GAS TRAIN</b>																						
3005	GASKET/GASTRAIN D125/90X3	65321049						●	●														
3010	COLLECTOR DN65-R1 1/2Z 2G1/4 PN16	65311503						●															
	COLLECTOR DN65-R2Z 2G1/4 PN16	65311488							●														
3020	STRAIGHT UNION P-GEV 8LR-WD-VI	65311606						●	●														
3030	ANGLED UNION P-EWV 8-L	65311604						●	●														
3040	PRESSURE TAP R1/4Z+GASKET	65311579						●	●														
3060	GAS VALVE VGD20 4011 RP1"1/2	65311580						●															
	GAS VALVE VGD20 5011 RP2"	65311581							●														
3070	GAS ACTUATOR SKP25.003E2 W.O.END SWITCH	65107100						●	●														
3080	CABLE CONNECT AGA 62 PLUG DIN L270	65311585						●	●														
3090	GAS ACTUATOR SKP15.000E2 W/O END SWITCH	1478836180						●	●														
3110	FLANGE AGF10 RP1 1/2	65313107						●															
	FLANGE AGF10.50 RP2	65311377							●														
3120	GAS PRESS.SWITCH GW 150 A6 10-150MB DIN	65311597	30-150mb					●	●														
	GAS PRESS.SWITCH GW 500 A5 100-500MB	13010091	30-500mb					●	●														
3130	FEMALE CONNECTOR AGA64	65311586						●	●														
3140	CONNECTOR GDMW 30-11 DF	65311615						●	●														
3300	GAS FILTER GF65MF-2020-A-1 DN65 1BAR	65311460						●	●														
	GAS FILTER GF80M-1212-A-1 RP1 1/2 1BAR	65311458						●															
	GAS FILTER GF80M-1616-A-1 RP2 1BAR	65311459						●	●														
	GAS FILTER GF80MF-2424-A-1 DN80 1BAR	65311461						●	●														
3301	STRAINER ELEMENT GF 80M	65311361						●	●														
	STRAINER ELEMENT GF65MF	65311723						●	●														
	STRAINER ELEMENT GF80MF	65311888						●	●														
<b>3500</b>	<b>GAS TRAIN</b>																						
3505	GASKET/GASTRAIN D125/90X3	65321049							●	●	●												
3510	COLLECTOR DN65-R1 1/2Z PN16	65311836						●	●														
	COLLECTOR DN65-R2Z PN16	65311837							●		●												
3580	GAS VALVE MBC1200 SE S82 RP2" 5-80 MB	65311840									●												
	GAS VALVE MBC300 SE S82 5-80MB	65311838							●														
	GAS VALVE MBC700SE S82 RP1"1/4 5-80MB	65311839								●													
3620	FLANGE MBC300 RP1 1/2	65311841							●														
	FLANGE MBC700/1200 RP1 1/2	65313021								●													
	FLANGE MBC700/1200 RP2	65313022									●												
3640	GAS PRESS.SWITCH GW 150 A5 30-150MB	65311598	OPTION					●	●	●													
	GAS PRESS.SWITCH GW 500 A5 100-500MB	13010091	30-500mb					●	●	●													
3650	CONNECTOR GDMW 30-11 DF	65311615						●	●	●													
3700	SCREEN FILTER/GAS VALVE MBC1200	13022417								●													
	SCREEN FILTER/GAS VALVE MBC300	13022415							●														
	SCREEN FILTER/GAS VALVE MBC700	13022416								●													
3800	GAS FILTER GF65MF-2020-A-1 DN65 1BAR	65311460						●	●	●													
	GAS FILTER GF80M-1212-A-1 RP1 1/2 1BAR	65311458						●	●														
	GAS FILTER GF80M-1616-A-1 RP2 1BAR	65311459						●	●	●													
	GAS FILTER GF80MF-2424-A-1 DN80 1BAR	65311461						●	●	●													
3801	STRAINER ELEMENT GF 80M	65311361						●	●	●													
	STRAINER ELEMENT GF65MF	65311723						●	●	●													
	STRAINER ELEMENT GF80MF	65311888						●	●	●													
<b>5000</b>	<b>ACCESSORY</b>																						
5010	TRIAL BURNER WITH PUSH-BUTTON PB2	65311362						●	●	●	●	●											














		DE NL	FR ES	IT	X
1020	65312332	HAUBE LUFTANSAUGKASTEN KAP/LUCHTKAST	CAPOT/BOITE A AIR CUBIERTA/CAJA DE AIRE	COPERCHIO/SCATOLA DELL'ARIA	1
1030	65312333	DÄMMSTOFFFORMTEIL GELUIDSSISOLATIE/LUCHTKAST	ISOLATION PHONIQUE/BOITE A AIR AISLAMIENTO/CAJA DE AIRE	ISOLAMENTO FONICO/SCATOLA DELL'ARIA	1
1040	65311474	ANSAUGTRICHTER LUCHTGELEIDER	GUIDE AIR CANALIZACIÓN AIRE	GUIDA ARIA	1
	65311490	ANSAUGTRICHTER LUCHTGELEIDER	GUIDE AIR CANALIZACIÓN AIRE	GUIDA ARIA	1
1050	1180603227	SCHAUGLAS F.MONOBL.KLAR D55X21 KLEURLOOS KIJKGLAS D55X21	VERRE DE REGARD D55x21 CLAIR MIRILLA INCOLORA D55X21	SPIONCINO INCOLORE D55X21	1
1060	1188052260	SCHAUGLASDECKEL Z.MONOBL.55X61 DEKSEL/KIJKGLAS D55X61	CACHE REGARD D55X61 TAPA/MIRILLA D55X61	COPERCHIO/SPIONCINO D55X61	1
1070	1180559591	MUTTER SCHAUGLAS M48X1,5 SW60 MOER/KIJKGLAS M48X1,5 SW60	ECROU REGARD M48X1,5 SW60 TUERCA/MIRILLA M48X1,5 SW60	DADO/SPIONCINO M48X1,5 SW60	1
1080	65311489	VENTILATORRAD D438/225X89-D28+ENTSCH.D58 VENTILATORWIEL D438/225X89 D28+PLATE D58	TURBINE D438/225X89 D28+PLAQUE D58/12 TURBINA D438/225X89 D28+PLACA D58/12	VENTOLA D438/225X89 D28+PIASTRA D58/12	1
	65311822	VENTILATORRAD D485/252X102-D38+ENTSC.D58 VENTILATORWIEL D485/252X102D38+PLATE D58	TURBINE D485/252X102 D38+PLAQUE D58/12 TURBINA D485/252X102 D38+PLACA D58/12	VENTOLA D485/252X102 D38+PIASTRA D58/12	1
1090	65311471	ZUENDTRAFI EBI 1X11 230V ONTSTEKINGSTRAFO EBI 1X11 230V	ALLUMEUR EBI 1X11 230V ENCENDEDOR EBI 1X11 230V	TRASFORMATORE ACCENSIONE EBI 1X11 230V	1
1091	65310925	ZUENDTRAFI EBI 2X7,5 230V ONTSTEKINGSTRAFO EBI 2X7,5 230V	ALLUMEUR EBI 2X7,5 230V ENCENDEDOR EBI 2X7,5 230V	TRASFORMATORE ACCENSIONE EBI 2X7,5 230V	1
1094	65312242	HALTER F. FLAMMENFUEHLER FFS06 STEUN FOTOCEL FFS06/FFS08	SUPPORT POUR CELLULE FFS06/FFS08 SOPORTE CELULA FFS06/FFS08	SUPPORTO FOTOCELLULA FFS06/FFS08	1
1095	65312487	FOTOZELLE FFS 08-T (IR) L5000 FOTOCEL FFS 08-T (IR) L5000	CELLULE FFS 08-T (IR) L5000 FOTOCELULA FFS 08-T (IR) L5000	FOTOCELLULA FFS 08-T (IR) L5000	1
1100	65311472	SICHTSPIEGEL FÜR SCHAUGLAS SPIEGEL/KIJKGLAS	MIROIR/REGARD ESPEJO/MIRILLA	SPECCHIO/SPIONCINO	1
1110	65311595	DRUCKWAECHTER LGW 50 A2P 2,5-50MBAR LUCHTDRUKSCHAKELAAR LGW 50 A2P 2,5-50MB	MANOSTAT AIR LGW 50 A2P 2,5-50MB PRESOSTATO AIRE LGW 50 A2P 2,5-50MB	PRESSOSTATO ARIA LGW 50 A2P 2,5-50MB	1
1120	65312321	GASKLAPPE+SCHRITTMOTOR BG GASKLEP+SERVOMOTOR EQ.	CLAPET GAZ+SERVOMOTEUR EQ. VALVULA DEL GAS+SERVOMOTOR EQ.	VALVOLA DEL GAS+SERVOMOTORE COMPL.	1
1121	65312322	GASKLAPPE BG GASKLEP EQ.	CLAPET GAZ EQ. VALVULA DEL GAS EQ.	VALVOLA GAS COMPL.	1
1122	65312323	GASSTELLANTRIEB BG STE4.5 B037/6-R 0,8NM SERVOMOT. GAS KPL.STE4.5 B037/6-R 0,8 NM	SERVOMOT. GAZ CPL.STE4.5 B037/6-R 0,8NM SERVOMOT. GAS EQ. STE4.5 B037/6-R 0,8NM	SERVOMOT. GAS EQ. STE4.5 B037/6-R 0,8 NM	1
1123	65312458	KABELDURCHFUEHRUNG DIM.34X15/12 D.6,2 DRAADDOORVOER DIM.34X15/12 D.6,2	PASSE-FIL DIM.34X15/12 D.6,2 PASACABLE DIM.34X15/12 D.6,2	PASSA FILO DIM.34X15/12 D.6,2	1
1150	65311650	STELLANTRIEB STE4,5 Q3.51/6 3NM R(BT3XX) SERVOMOTOR STE4,5 Q3.51/6 3NM R (BT3XX)	SERVOMOTEUR STE4,5 Q3.51/6 3NM R (BT3XX) SERVOMOTOR STE4,5 Q3.51/6 3NM R (BT3XX)	SERVOMOTORE STE4,5 Q3.51/6 3NM R (BT3XX)	1
1160	65300980	STELLANTRIEB STE 4,5 B037/6 R SERVOMOTOR STE 4,5 B037/6 R	SERVOMOTEUR STE 4,5 B037/6 R SERVOMOTOR STE 4,5 B037/6 R	SERVOMOTORE STE 4,5 B037/6 R	1
1161	65312327	HAUBE F. SCHRITTMOTOR KAP SERVOMOTOR	CAPOT SERVOMOTEUR CUBIERTA SERVOMOTOR	COPERCHIO SERVOMOTORE	1
1170	65312555	MOTOR 3,0KW 230/400V D28 IE2 SCHWARZ MOTOR 3,0KW 230/400V D28 IE2 ZWART	MOTEUR 3,0KW 230/400V D28 IE2 NOIR MOTOR 3,0KW 230/400V D28 IE2 NEGRO	MOTORE 3,0KW 230/400V D28 IE2 NERO	1
	65312556	MOTOR 4,0KW 400/690V D28 IE2 SCHWARZ MOTOR 4,0KW 400/690V D28 IE2 ZWART	MOTEUR 4,0KW 400/690V D28 IE2 NOIR MOTOR 4,0KW 400/690V D28 IE2 NEGRO	MOTORE 4,0KW 400/690V D28 IE2 NERO	1
	65312558	MOTOR 7,5KW 400/690V D38 IE3 SCHWARZ MOTOR 7,5KW 400/690V D38 IE3 ZWART	MOTEUR 7,5KW 400/690V D38 IE3 NOIR MOTOR 7,5KW 400/690V D38 IE3 NEGRO	MOTORE 7,5KW 400/690V D38 IE3 NERO	1
1200	65312328	LUFTKLAPPE BG COMPLETE LUCHTKLEP	VOLET D'AIR EQUIPE VÁLVULA DE AIRE EQUIPADA	SERRANDA DELL'ARIA EQUIPAGGIATA	1
1201	65312331	ANTRIEBHEBEL/LUFTKLAPPE AANDRIJHENDEL/LUCHTKLEP	LEVIER ENTRAINEMENT/VOLET AIR PALANCA DE ACCIONAMIENTO/VÁLVULA AIRE	LEVA AZIONAMENTO/SERRANDA DELL'ARIA	1
1202	65312330	GELENKSTANGE D10X145 M6 LUFTKLAPPE DRIJFSTANG D10X145 M6 LUCHTKLEP	BIELLETTA D10X145 M6 VOLET AIR BIELETA D10X145 M6 VALVULA AIRE	BIELLA D10X145 M6 SERRANDA ARIA	1
1203	65312329	WELLE / LUFTKLAPPE D34/25X100 FLAT L55 AS / LUCHTKLEP D34/25X100 FLAT L55	AXE / VOLET AIR D34/25X100 PLAT L55 EJE / VALVULA AIRE D34/25X100 FLAT L55	PERNO/SERRANDA ARIA D34/25X100 PIATO L55	1
1204	65312459	WELLE / LUFTKLAPPE D34/25X100 M.ZEIGER AS / LUCHTKLEP D34/25X100 W.POINTER	AXE / VOLET AIR D34/25X100 AV.INDEX EJE / VALVULA AIRE D34/25X100 W.POINTER	PERNO/SERRANDA ARIA D34/25X100 C.INDICE	1
1510	65312340	BRENNERSCHRANKHAUBE KAP ELEKTRISCHE KAST	CAPOT ARMOIE ELEC. CUBIERTA ARMARIO ELÉCTRICO	COPERCHIO ARMADIO ELETTRICO	1
1512	65312338	BLINDDECKEL/REGLER 92X45 IP54 AFSLUITER/REGELAAR 92X45 IP54	OBTURATEUR REGULATEUR 92X45 IP54 CONJUNTO/REGULADOR 92X45 IP54	OTTURATORE/REGOLATORE 92X45 IP54	1
1520	65326712	ANZEIGE FÜR FEUERUNGSAUTOMAT BT3XX DISPLAY VOOR BRANDERAUTOMAAT BT3XX	AFFICHEUR POUR COFFRET BT3XX PANTALLA PARA PROGRAMADOR BT3XX	DISPLAY PER APPARECCHIATURA BT3XX	1
1525	65311364	DICHTUNG/EINZEIGE 152/140X80/70X2 PAKKING/DISPLAY 152/140X80/70X2	JOINT/AFFICHEUR 152/140X80/70X2 JUNTA/PANTALLA 152/140X80/70X2	GUARNIZIONE/DISPLAY 152/140X80/70X2	1
1530	65312447	FEUERUNGSAUT. BT340 BASISEINSTELL. BRANDERAUT. BT340 BASIS AFSTELLING	COFFRET BT340 REGLAGE DE BASE PROGRAMADOR BT340 CONFIGUR. BÁSICA	APPARECCH. BT340 REGOL. BASE	1
1540	65311790	LCM100 (LSB-M 667R0500-1) LCM100-MODULE (LSB-M 667R0500-1)	MODULE LCM100 (LSB-M 667R0500-1) MÓDULO LCM100 (LSB-M 667R0500-1)	MODULO LCM100 (LSB-M 667R0500-1)	1


☰	XXXXXXXX	DE	FR	IT	X
		NL	ES		
1550	65311791	DFM300 (LSB-M 667R0600-1) DFM300-MODULE (LSB-M 667R0600-1)	MODULE DFM300 (LSB-M 667R0600-1) MÓDULO DFM300 (LSB-M 667R0600-1)	MODULO DFM300 (LSB-M 667R0600-1)	1
1555	65311789	ADAPTER BT300/DFM300 RAST5 ADAPTER BT300/DFM300 RAST5	ADAPTATEUR BT300/DFM300 RAST5 ADAPTADOR BT300/DFM300 RAST5	ADATTATORE BT300/DFM300 RAST5	1
1556	65311792	RELAIS FIN 38.61.8.240.0060 KLL-1W FZ RELAIS FIN 38.61.8.240.0060 KLL-1W FZ	RELAIS FIN 38.61.8.240.0060 KLL-1W FZ RELE FIN 38.61.8.240.0060 KLL-1W FZ	RELE FIN 38.61.8.240.0060 KLL- 1W FZ	1
1580	65311945	MOTORSCHUTZSCHALTER 0.75KW GV2ME07 VERMOGENSCHAKEL. MOTOR 0,75KW GV2ME07	DISJONCTEUR MOTEUR 0,75kW GV2ME07 INTERRUPTOR MOTOR 0,75KW GV2ME07	INTERRUTTORE MOTORE 0,75kW GV2ME07	1
	65311946	MOTORSCHUTZSCHALTER 1.1-1.5KW GV2ME08 VERMOGENSCHAKEL. MOTOR 1,1-1,5KW GV2ME08	DISJONCTEUR MOTEUR 1,1-1,5KW GV2ME08 INTERRUPTOR MOTOR 1,1-1,5KW GV2ME08	INTERRUTTORE MOTORE 1,1-1,5KW GV2ME08	1
1581	65311776	MOTORSCHUTZSCHALTER 7,5kW GV2ME20 VERMOGENSCHAKEL. MOTOR 7,5 kW GV2ME20	DISJONCTEUR MOTEUR 7,5 kW GV2ME20 INTERRUPTOR MOTOR 7,5 kW GV2ME20	INTERRUTTORE MOTORE 7,5 kW GV2ME20	1
	65311794	MOTORSCHUTZSCHALTER 3-4KW GV2ME14 VERMOGENSCHAKEL. MOTOR 3-4KW GV2ME14	DISJONCTEUR MOTEUR 3-4KW GV2ME14 INTERRUPTOR MOTOR 3-4KW GV2ME14	INTERRUTTORE MOTORE 3-4KW GV2ME14	1
1585	65311795	HILFSSCHALTER GVAE11 HULPSCHAKELAAR GVAE11	CONTACT AUXILIAIRE GVAE11 INTERRUPTOR AUXILIAR GVAE11	INTERRUTTORE AUSILIARIO GVAE11	1
1595	65311793	MOTORSCHUETZ SCH D 3-4KW LC1D09P7 CONTACT MOTOR SCH D 3-4kW LC1D09P7	CONTACTEUR MOTEUR SCH D 3-4kW LC1D09P7 CONTACTOR DE MOTOR SCH D 3-4kW LC1D09P7	CONTATTORE MOTORE SCH D 3-4kW LC1D09P7	1
1596	65311793	MOTORSCHUETZ SCH D 3-4KW LC1D09P7 CONTACT MOTOR SCH D 3-4kW LC1D09P7	CONTACTEUR MOTEUR SCH D 3-4kW LC1D09P7 CONTACTOR DE MOTOR SCH D 3-4kW LC1D09P7	CONTATTORE MOTORE SCH D 3-4kW LC1D09P7	1
	65311947	MOTORSCHUETZ SCH D 3-7,5KW LC1D18P7 CONTACT MOTOR SCH D 3-7,5KW LC1D18P7	CONTACTEUR MOTEUR SCH D 3-7,5KW LC1D18P7 CONTACTOR MOTOR SCH D 3-7,5KW LC1D18P7	CONTATTORE MOTORE SCH D 3-7,5KW LC1D18P7	1
1600	65312334	BRENNERSCHRANK KONTROLLEUCHE CONTROLELAMPJE ELEKTRISCHE KAST	VOYANT ARMOIRE ELECTRIQUE TESTIGO ARMARIO ELÉCTRICO	SPIA ARMADIO ELETTRICO	1
1601	65313828	3-STELL. DRUCKSCHALTER MOMENTANE SCHAKELAAR 3 POS.	INTERRUPTEUR 3 POS. INSTANTANE INTERRUPTOR DE ACCIÓN INSTANTÁN. 3 POS.	INTERRUTTORE 3 POS. INSTANTANEA	1
1604	65312335	2-STELL. KIPPSCHALTER SCHAKELAAR 2 POS.	INTERRUPTEUR 2 POS. INTERRUPTOR 2 POS.	INTERRUTTORE 2 POS.	1
1610	65311451	KABELVERSCHRAUBUNG M16 PAKKINGBUS M16	PRESSE-ETOUPE M16 PRENSAESTOPAS M16	PREMISTOPPA M16	1
1611	65311758	KABELVERSCHRAUBUNG M20 PAKKINGBUS M20	PRESSE-ETOUPE M20 PRENSAESTOPAS M20	PREMISTOPPA M20	1
1612	65312852	KABELVERSCHRAUBUNG CLICK M25 PAKKINGBUS CLICK M25	PRESSE-ETOUPE CLICK M25 PRENSAESTOPAS CLICK M25	PREMISTOPPA CLICK M25	1
1696	65312275	KONSOLE LAM F152 659G0501 CONSOLE LAM F152 659G0501	CONSOLE LAM F152 659G0501 CONSOLA LAM F152 659G0501	CONSOLLE LAM F152 659G0501	1
1699	65312244	KABEL ANSCHLUSS BT300/LCM100 667P0515 KABEL ANSCHLUSS BT300/LCM100 667P0515	CABLE LIAISON BT300/LCM100 667P0515 CABLE CONNECT. BT300/LCM100 667P0515	CAVO COLLEGA BT300/LCM100 667P0515	1
1700	65311446	WAG BETAETIGUNGSWERKZEUG 2009-309 BEDIENINGSGEREEDSCHAP WAG 2009-309	OUTIL DE MANOEUVRE WAG 2009-309 HERRAMIENTA D.ACCIONAM. WAG 2009-309	DISPOSITIVO DI MANOVRA WAG 2009-309	1
2020	65312955	BRENNERROHR D262.5/227/180 L450 F3 BRANDERBUIS D262.5/227/180 L450 F3	TUBE DE FLAMME D262.5/227/180 L450 F3 TUBO DE LLAMA D262.5/227/180 L450 F3	BOCCAGLIO D262.5/227/180 L450 F3	1
	65312956	BRENNERROHR D262.5/220/171 L450 F3 BRANDERBUIS D262.5/220/171 L450 F3	TUBE DE FLAMME D262.5/220/171 L450 F3 TUBO DE LLAMA D262.5/220/171 L450 F3	BOCCAGLIO D262.5/220/171 L450 F3	1
	65312957	BRENNERROHR D323.5/240/191 L470 F3 BRANDERBUIS D323.5/240/191 L470 F3	TUBE DE FLAMME D323.5/240/191 L470 F3 TUBO DE LLAMA D323.5/240/191 L470 F3	BOCCAGLIO D323.5/240/191 L470 F3	1
	65312958	BRENNERROHR D323.5/268/215 L470 F3 BRANDERBUIS D323.5/268/215 L470 F3	TUBE DE FLAMME D323.5/268/215 L470 F3 TUBO DE LLAMA D323.5/268/215 L470 F3	BOCCAGLIO D323.5/268/215 L470 F3	1
	65312959	BRENNERROHR D262.5/227/180 L570 F3 BRANDERBUIS D262.5/227/180 L570 F3	TUBE DE FLAMME D262.5/227/180 L570 F3 TUBO DE LLAMA D262.5/227/180 L570 F3	BOCCAGLIO D262.5/227/180 L570 F3	1
	65312960	BRENNERROHR D262.5/220/171 L570 F3 BRANDERBUIS D262.5/220/171 L570 F3	TUBE DE FLAMME D262.5/220/171 L570 F3 TUBO DE LLAMA D262.5/220/171 L570 F3	BOCCAGLIO D262.5/220/171 L570 F3	1
	65312961	BRENNERROHR D323.5/240/191 L600 F3 BRANDERBUIS D323.5/240/191 L600 F3	TUBE DE FLAMME D323.5/240/191 L600 F3 TUBO DE LLAMA D323.5/240/191 L600 F3	BOCCAGLIO D323.5/240/191 L600 F3	1
	65312962	BRENNERROHR D323.5/268/215 L600 F3 BRANDERBUIS D323.5/268/215 L600 F3	TUBE DE FLAMME D323.5/268/215 L600 F3 TUBO DE LLAMA D323.5/268/215 L600 F3	BOCCAGLIO D323.5/268/215 L600 F3	1
	65312963	BRENNERROHR D262.5/227/180 L690 F3 BRANDERBUIS D262.5/227/180 L690 F3	TUBE DE FLAMME D262.5/227/180 L690 F3 TUBO DE LLAMA D262.5/227/180 L690 F3	BOCCAGLIO D262.5/227/180 L690 F3	1
	65312964	BRENNERROHR D262.5/220/171 L690 F3 BRANDERBUIS D262.5/220/171 L690 F3	TUBE DE FLAMME D262.5/220/171 L690 F3 TUBO DE LLAMA D262.5/220/171 L690 F3	BOCCAGLIO D262.5/220/171 L690 F3	1
	65312965	BRENNERROHR D323.5/240/191 L730 F3 BRANDERBUIS D323.5/240/191 L730 F3	TUBE DE FLAMME D323.5/240/191 L730 F3 TUBO DE LLAMA D323.5/240/191 L730 F3	BOCCAGLIO D323.5/240/191 L730 F3	1
	65312966	BRENNERROHR D323.5/268/215 L730 F3 BRANDERBUIS D323.5/268/215 L730 F3	TUBE DE FLAMME D323.5/268/215 L730 F3 TUBO DE LLAMA D323.5/268/215 L730 F3	BOCCAGLIO D323.5/268/215 L730 F3	1
2110	65311455	DRALLKOERPER D190/170/84X235 10SL WERVELKRANS D190/170/84X235 10SL	TURBULATEUR D190/170/84X235 10SL TURBULENCIADOR D190/170/84X235 10SL	TURBULATORE D190/170/84X235 10SL	1
	65311464	DRALLKOERPER D210/190/101X300 10SL WERVELKRANS D210/190/101X300 10SL	TURBULATEUR D210/190/101X300 10SL TURBULENCIADOR D210/190/101X300 10SL	TURBULATORE D210/190/101X300 10SL	1
	65311543	DRALLKOERPER D240/214/101X325 10SL WERVELKRANS D240/214/101X325 10SL	TURBULATEUR D240/214/101X325 10SL TURBULENCIADOR D240/214/101X325 10SL	TURBULATORE D240/214/101X325 10SL	1
	65311804	DRALLKOERPER D160/130/81X185 10SL WERVELKRANS D160/130/81X185 10SL	TURBULATEUR D160/130/81X185 10SL TURBULENCIADOR D160/130/81X185 10SL	TURBULATORE D160/130/81X185 10SL	1

					
2120	1450621478	DUESE DZ1000 450KG 60° M14 1-5 SPROEIER DZ1000 450KG 60° M14 1-5	GICLEUR DZ1000 450KG 60° M14 1-5 BOQUILLA DZ1000 450KG 60° M14 1-5	UGELLO DZ1000 450KG 60° M14 1-5	1
	65311376	DUESE DZ1000 375KG 60° M14 1-5 SPROEIER DZ1000 375KG 60° M14 1-5	GICLEUR DZ1000 375KG 60° M14 1-5 BOQUILLA DZ1000 375KG 60° M14 1-5	UGELLO DZ1000 375KG 60° M14 1-5	1
	65312444	DUESE FLU 160KG 45° W1 SPROEIER FLU 160KG 45° W1	GICLEUR FLU 160KG 45° W1 BOQUILLA FLU 160KG 45° W1	UGELLO FLU 160KG 45° W1	1
	65312814	DUESE FLU 250KG 50° W1 SPROEIER FLU 250KG 50° W1	GICLEUR FLU 250KG 50° W1 BOQUILLA FLU 250KG 50° W1	UGELLO FLU 250KG 50° W1	1
2130	65311456	GASDUESE D18/16X70 135° GAS NOZZLE D18/16X70 135°	DIFFUSEUR GAZ D18/16X70 135° DIFUSOR GAS D18/16X70 135°	INIETTORE GAS D18/16X70 135°	1
	65311465	GASDUESE D25/17X82 140° GAS NOZZLE D25/17X82 140°	DIFFUSEUR GAZ D25/17X82 140° DIFUSOR GAS D25/17X82 140°	INIETTORE GAS D25/17X82 140°	1
	65311467	GASDUESE D25/20X95 135° GAS NOZZLE D25/20X95 135°	DIFFUSEUR GAZ D25/20X95 135° DIFUSOR GAS D25/20X95 135°	INIETTORE GAS D25/20X95 135°	1
	65311805	GASDUESE D18/13X57 135° GAS NOZZLE D18/13X57 135°	DIFFUSEUR GAZ D18/13X57 135° DIFUSOR GAS D18/13X57 135°	INIETTORE GAS D18/13X57 135°	1
2140	65311466	STABILISIERUNGSDUESE D20/16 GELEIDER GAS VERSPREIDER D20/16	INJECTEUR STABILISATEUR GAZ D20/16 DIFUSOR ESTABILIZADOR DE GAS D20/16	DIFFUSORE STABILIZZATORE GAS D20/16	1
	65311468	STABILISIERUNGSDUESE D20/17 GELEIDER GAS VERSPREIDER D20/17	INJECTEUR STABILISATEUR GAZ D20/17 DIFUSOR ESTABILIZADOR DE GAS D20/17	DIFFUSORE STABILIZZATORE GAS D20/17	1
	65311470	STABILISIERUNGSDUESE D18/15 GELEIDER GAS VERSPREIDER D18/15	INJECTEUR STABILISATEUR GAZ D18/15 DIFUSOR ESTABILIZADOR DE GAS D18/15	DIFFUSORE STABILIZZATORE GAS D18/15	1
	65311806	STABILISIERUNGSDUESE D18/15 - D15/12 GELEIDER GAS VERSPREIDER D18/15 - D15/12	INJECTEUR STABILISAT.GAZ D18/15 - D15/12 DIFUSOR ESTABILIZAD. GAS D18/15 - D15/12	DIFFUSORE STABILIZZA.GAS D18/15 - D15/12	1
2190	65311874	ZUENDELEKTRODE D9X50 D3X91 130° L150 D4 ONTSTEKINGSPEN D9X50 D3X91 130° L150 D4	ELECTRODE ALLUM.D9X50 D3X91 130° L150 D4 ELECTRODO ENCEN.D9X50 D3X91 130° L150 D4	ELETTR.ACCENSIO.D9X50 D3X91 130° L150 D4	1
	65311910	ZUENDELEKTRODE D9X50 D3X50 130° L150 D4 ONTSTEKINGSPEN D9X50 D3X50 130° L150 D4	ELECTRODE ALLUM.D9X50 D3X50 130° L150 D4 ELECTRODO ENCEN.D9X50 D3X50 130° L150 D4	ELETTR.ACCENSIO.D9X50 D3X50 130° L150 D4	1
	65311911	ZUENDELEKTRODE D9X50 D3X67 130° L150 D4 ONTSTEKINGSPEN D9X50 D3X67 130° L150 D4	ELECTRODE ALLUM.D9X50 D3X67 130° L150 D4 ELECTRODO ENCEN.D9X50 D3X67 130° L150 D4	ELETTR.ACCENSIO.D9X50 D3X67 130° L150 D4	1
2200	65312214	ZÜNDKABEL L250 AP ONTSTEKINGSKABEL L250 AP	CABLE ALLUMAGE L250 AP CABLE ENCENDIDO L250 AP	CAVO ACCENSIONE L250 AP	1
2201	65310724	ZÜNDKABEL D4/SAT 72750 ONTSTEKINGSKABEL D4/SAT 72750	CABLE ALLUMAGE D4/SAT 72750 CABLE ENCENDIDO D4/SAT 72750	CAVO ACCENSIONE D4/SAT 72750	1
2230	65311875	ZUENDELEKTRODE D9X50 D3X35 90+60°L150D4 ONTSTEKINGSPEN D9X50 D3X35 90+60°L150D4	ELECTRODE ALLUM.D9X50 D3X35 90+60°L150D4 ELECTRODO ENCEN.D9X50 D3X35 90+60°L150D4	ELETTR.ACCENSIO.D9X50 D3X35 90+60°L150D4	1
2240	65311354	DECKBLECH FÜR DRALLKÖRPER D85/144 LUCHT DISTRIBUTOR/WERVELKRANS D85/144	REPARTITEUR AIR/TURBULATEUR D85/144 DISTRIBUIDOR DE AIRE/TURBULENC. D85/144	RIPARTITORE ARIA/TURBULATORE D85/144	1
	65311457	DECKBLECH FÜR DRALLKÖRPER D85/126 LUCHT DISTRIBUTOR/WERVELKRANS D85/126	REPARTITEUR AIR/TURBULATEUR D85/126 DISTRIBUIDOR DE AIRE/TURBULENC. D85/126	RIPARTITORE ARIA/TURBULATORE D85/126	1
2250	65311496	O-RING 199D117,48X5,33 NBR O-RING 199D117,48X5,33 NBR	O-RING 199D117,48X5,33 NBR O-RING 199D117,48X5,33 NBR	O-RING 199D117,48X5,33 NBR	1
	65311807	O-RING 217D142,88X5,33 NBR O-RING 217D142,88X5,33 NBR	O-RING 217D142,88X5,33 NBR O-RING 217D142,88X5,33 NBR	O-RING 217D142,88X5,33 NBR	1
2260	65311491	O-RING 6387D97,79X5,33 NBR O-RING 6387D97,79X5,33 NBR	O-RING 6387D97,79X5,33 NBR O-RING 6387D97,79X5,33 NBR	O-RING 6387D97,79X5,33 NBR	1
2300	65311492	ADAPTERPLATTE FÜR GASKOPF ADAPTERPLAAT/GAS VERSTUIVEREENHEID	PLAQUE ADAPTATION/TETE GAZ PLACA DE ADAPTACIÓN/DIFUSOR DE GAS	PIASTRA DI ADATTAMENTO/TESTA GAS	1
	65311510	ADAPTERPLATTE FÜR GASKOPF ADAPTERPLAAT/GAS VERSTUIVEREENHEID	PLAQUE ADAPTATION/TETE GAZ PLACA DE ADAPTACIÓN/DIFUSOR DE GAS	PIASTRA DI ADATTAMENTO/TESTA GAS	1
2350	65311808	SCHUBSTANGE GLEITKOPF KN REGELSTANG GLIJDENDE HOOFD KN	TIGE DE REGLAGE COULISSAGE TETE KN VARILLA DE AJUSTE CABEZA MÓVIL KN	ASTA DI REGOLAZIONE SCIVOLO TESTA KN	1
	65311809	SCHUBSTANGE GLEITKOPF KM REGELSTANG GLIJDENDE HOOFD KM	TIGE DE REGLAGE COULISSAGE TETE KM VARILLA DE AJUSTE CABEZA MÓVIL KM	ASTA DI REGOLAZIONE SCIVOLO TESTA KM	1
	65311810	SCHUBSTANGE GLEITKOPF KL REGELSTANG GLIJDENDE HOOFD KL	TIGE DE REGLAGE COULISSAGE TETE KL VARILLA DE AJUSTE CABEZA MÓVIL KL	ASTA DI REGOLAZIONE SCIVOLO TESTA KL	1
	65313835	SCHUBSTANGE GLEITKOPF KN REGELSTANG GLIJDENDE HOOFD KN	TIGE DE REGLAGE COULISSAGE TETE KN VARILLA DE AJUSTE CABEZA MÓVIL KN	ASTA DI REGOLAZIONE SCIVOLO TESTA KN	1
	65313837	SCHUBSTANGE GLEITKOPF KM REGELSTANG GLIJDENDE HOOFD KM	TIGE DE REGLAGE COULISSAGE TETE KM VARILLA DE AJUSTE CABEZA MÓVIL KM	ASTA DI REGOLAZIONE SCIVOLO TESTA KM	1
	65313838	SCHUBSTANGE GLEITKOPF KL REGELSTANG GLIJDENDE HOOFD KL	TIGE DE REGLAGE COULISSAGE TETE KL VARILLA DE AJUSTE CABEZA MÓVIL KL	ASTA DI REGOLAZIONE SCIVOLO TESTA KL	1
2360	65311811	DICHTKAPPE GASROHR RING	BAGUE ANILLO	ANELLO	1
	65311812	DICHTKAPPE GASROHR RING	BAGUE ANILLO	ANELLO	1
2370	65311813	SCHIEBEBUCHSE VERSTELLANZEIGER INSTELLING GIDS	GUIDE DE REGLAGE GUÍA DE CONFIGURACIÓN	GUIDA DI REGLAGGIO	1
2380	65310280	D-STANGE RDG1250 L860 SPROEIERLIJNE RDG1250 L860	LIGNE GICLEUR RDG1250 L860 LÍNEA DE BOQUILLA RDG1250 L860	LINEA UGELLO RDG1250 L860	1
	65311815	D-STANGE 1D 7/8Z L900 SPROEIERLIJNE 1D 7/8Z L900	LIGNE GICLEUR 1D 7/8Z L900 LÍNEA DE BOQUILLA 1D 7/8Z L900	LINEA UGELLO 1D 7/8Z L900	1

		DE		FR		IT		
		NL		ES				
	65311816	D-STANGE 1D 7/8Z L1000 SPROEIERLIJNE 1D 7/8Z L1000	LIGNE GICLEUR 1D 7/8Z L1000 LÍNEA DE BOQUILLA 1D 7/8Z L1000	LINEA UGELLO 1D 7/8Z L1000	1			
	65311817	D-STANGE RDG1250 L760 SPROEIERLIJNE RDG1250 L760	LIGNE GICLEUR RDG1250 L760 LÍNEA DE BOQUILLA RDG1250 L760	LINEA UGELLO RDG1250 L760	1			
	65311818	D-STANGE RDG1250 L960 SPROEIERLIJNE RDG1250 L960	LIGNE GICLEUR RDG1250 L960 LÍNEA DE BOQUILLA RDG1250 L960	LINEA UGELLO RDG1250 L960	1			
	65311868	D-STANGE 1D 7/8Z L748 SPROEIERLIJNE 1D 7/8Z L748	LIGNE GICLEUR 1D 7/8Z L748 LÍNEA DE BOQUILLA 1D 7/8Z L748	LINEA UGELLO 1D 7/8Z L748	1			
2385	65311982	WINKELGELENKSTANGE CS10X110 KOPPELING CS10X110	TRINGLERIE CS10X110 TIRANTE CS10X110	COLLEGAMENTO CS10X110	1			
2390	65311819	DISTANZBOLZEN SW 13X30 M6 AFSTANDHOUDER SW 13X30 M6	ENTRETOISE SW 13X30 M6 DISTANCIADOR SW 13X30 M6	DISTANZIATORE SW 13X30 M6	1			
	65311983	DISTANZBOLZEN SW 13X50 M6 AFSTANDHOUDER SW 13X50 M6	ENTRETOISE SW 13X50 M6 DISTANCIADOR SW 13X50 M6	DISTANZIATORE SW 13X50 M6	1			
2400	65313836	ÜBERTRAGUNGSHABEL L128 OVERDRACHT HENDEL L128	LEVIER DE TRANSMISSION L128 PALANCA DE TRANSMISIÓN L128	TRASMISSIONE LEVA L128	1			
2450	65311833	STELLANTRIEB STM 40 Q15.51/8 2NR REGELMOTOR STM 40 Q15.51/8 2NR	SERVOMOTEUR STM 40 Q15.51/8 2NR SERVOMOTOR STM 40 Q15.51/8 2NR	SERVOMOTORE STM 40 Q15.51/8 2NR	1			
2490	65311873	OELSCHLAUCH EDELST.F.EL.S 30BAR L400 OLIESLANG ROESTVRIJ .F.EL.S 30BAR L400	FLEXIBLE INOX. FUEL EL,S 30BAR L400 LATIGUILLO INOXID. F.EL,S 30BAR L400	FLESSIBILE INOSSID. F.EL,S 30BAR L400	1			
2491	65311878	OELSCHLAUCH EDELST.F.EL.S 30BAR L600 OLIESLANG ROESTVRIJ .F.EL.S 30BAR L600	FLEXIBLE INOX. FUEL EL,S 30BAR L600 LATIGUILLO INOXID. F.EL,S 30BAR L600	FLESSIBILE INOSSID. F.EL,S 30BAR L600	1			
2510	65311564	MOTOR 0,75KW 230/400V IE2 - KPL. MOTOR 0,75KW 230/400V GMP	MOTEUR 0,75KW 230/400V GMP MOTOR 0,75KW 230/400V GMP	MOTORE 0,75KW 230/400V GMP	1			
	65311829	MOTOR 1,1KW 230/400V GMP MOTOR 1,1KW230/400V GMP	MOTEUR 1,1KW230/400V GMP MOTOR 1,1KW230/400V GMP	MOTORE 1,1KW230/400V GMP	1			
	65325517	MOTOR 1,5KW230/400V IE2 GMP IP55 MOTOR 1,5KW230/400V IE2 GMP IP55	MOTEUR 1,5KW230/400V IE2 GMP IP55 MOTOR 1,5KW230/400V IE2 GMP IP55	MOTORE 1,5KW230/400V IE2 GMP IP55	1			
2520	65312206	DRUCKWAECHTER DSB158 F931, 3-25BAR, IP65 OLIEDRUKSCHAKELAAR DSB 158 F931 3-25BAR	MANOSTAT FIOUL DSB 158 F931 3-25BAR PRESOSTATO GASOLEO DSB 158 F931 3-25BAR	PRESSOSTATO GASOLIO DSB 158 F931 3-25BAR	1			
2525	65311615	GERAETESTECKDOSE GDMW 30-11 DF STEKKER GDMW 30-11 DF	PRISE GDMW 30-11 DF TOMA GDMW 30-11 DF	PRESA GDMW 30-11 DF	1			
2526	65311616	DICHTUNG GDM 3-21 PAKKING GDM 3-21	JOINT GDM 3-21 JUNTA GDM 3-21	GUARNIZIONE GDM 3-21	1			
2550	65311650	STELLANTRIEB STE4,5 Q3.51/6 3NM R(BT3XX) SERVOMOTOR STE4,5 Q3.51/6 3NM R (BT3XX)	SERVOMOTEUR STE4,5 Q3.51/6 3NM R (BT3XX) SERVOMOTOR STE4,5 Q3.51/6 3NM R (BT3XX)	SERVOMOTORE STE4,5 Q3.51/6 3NM R (BT3XX)	1			
2555	65311831	DISTANZBOLZEN M6/M8X42 SW15 AFSTANDHOUDER M6 /M8 X 42 SW15	ENTRETOISE M6/M8X42 SW15 DISTANCIADOR M6/M8X42 SW15	DISTANZIATORE M6/M8X42 SW15	1			
2560	65313523	T-WINKELANSCHLUSS P-TV 10 L T-AANSLUITING P-TV 10 L	RACCOR EN T P-TV 10 L RACOR EN T P-TV 10 L	RACCORDO A T P-TV 10 L	1			
2561	65312937	T-WINKELANSCHLUSS P-ELVD 10 L T-AANSLUITING P-ELVD 10 L	RACCOR EN T P-ELVD 10 L RACOR EN T P-ELVD 10 L	RACCORDO A T P-ELVD 10 L	1			
2562	65312938	T-WINKELANSCHLUSS P-TV18/18/10L T-AANSLUITING P-TV18/18/10L	RACCOR EN T P-TV18/18/10L RACOR EN T P-TV18/18/10L	RACCORDO A T P-TV18/18/10L	1			
2570	65312935	KUPPLUNG D10/D8X38-90 KOPPELING D10/D8X38-90	ACCOUPEMENT D10/D8X38-90 ACOPLAMIENTO D10/D8X38-90	GIUNTO D10/D8X38-90	1			
2580	65311412	BEFESTIGUNGSPLATTE HYDR.-BL.-STELL. STE BEVESTIGINGSPLAAT VAN DE SERVOMOTOR STE	PLATINE SERVOMOTEUR STE PLACA DEL SERVOMOTOR STE	PIASTRA SERVOMOTORE STE	1			
2600	65312934	ANTRIEBS BG HYD-BLOCK N6/7&EKEVO6/7E BT HYDRAUL.BLOK AANDRIJF. N6/7&EKEVO6/7E BT	ENSEMBL.ENTR. BLOC HYD.N6/7&EKEVO6/7E BT CONJ.ACCION.UNID.HYDR. N6/7&EKEVO6/7E BT	GR.TRASMI.UNIT.IDRAUL. N6/7&EKEVO6/7E BT	1			
2610	65311578	T-WINKELANSCHL.R3/4Z (SCHMUTZFAENG.) OVE T-AANSLUITING R3/4Z (FILTER) OVE	RACCOR EN T R3/4Z (FILTRE) OVE RACOR EN T R3/4Z (FILTRO) OVE	RACCORDO A T R3/4Z (FILTRO) OVE	1			
2700	65311577	OELPUMPE TA 3C 40107 POMP TA 3C 40107	POMPE FIOUL TA 3C 40107 BOMBA TA 3C 40107	POMPA TA 3C 40107	1			
	65311834	OELPUMPE TA 4C 4010 5 POMP TA 4C 4010 7	POMPE FIOUL TA 4C 4010 7 BOMBA TA 4C 4010 7	POMPA TA 4C 4010 7	1			
	65311835	OELPUMPE TA 5C 30107 POMP TA 5C 30107	POMPE FIOUL TA 5C 30107 BOMBA TA 5C 30107	POMPA TA 5C 30107	1			
2705	13022666	MAGNETVENTIL LUC 321F2523 P8 PG11 19W MAGNEETKLEP LUC 321F2523 P8 PG11 19W	ELECTROVANNE LUC 321F2523 P8 PG11 19W ELECTROVALVULA LUC 321F2523 P8 PG11 19W	ELETTROVALVOLA LUC 321F2523 P8 PG11 19W	1			
2710	13022667	MAGNETVENTIL LUC 121F2523 P8 PG11 19W MAGNEETKLEP LUC 121F2523 P8 PG11 19W	ELECTROVANNE LUC 121F2523 P8 PG11 19W ELECTROVALVULA LUC 121F2523 P8 PG11 19W	ELETTROVALVOLA LUC 121F2523 P8 PG11 19W	1			
2750	13019342	OELSCHLAUCH M30X1,5 DN20 L=1500 OLIESLANG M30X1,5 DN20 L=1500	FLEXIBLE M30X1,5 DN20 L=1500 LATIGUILLO M30X1,5 DN20 L=1500	FLESSIBILE M30X1,5 DN20 L=1500	1			
2800	65312299	REGELWELLE 2.5 LINKSVERS. REGELING AS 2.5 (CCW)	ARBRE DE REGULATION 2.5 (ROT. GAUCHE) ARBOL DE REGULACION 2.5 (ROT. IZQUIERDA)	ALBERO DI REGOLAZIONE 2.5 (ROT.SINISTRA)	1			
	65312300	REGELWELLE 3.0 LINKSVERS. REGELING AS 3.0 (CCW)	ARBRE DE REGULATION 3.0 (ROT. GAUCHE) ARBOL DE REGULACION 3.0 (ROT. IZQUIERDA)	ALBERO DI REGOLAZIONE 3.0 (ROT.SINISTRA)	1			
	65312302	REGELWELLE 5.0 LINKSVERS. REGELING AS 5.0 (CCW)	ARBRE DE REGULATION 5.0 (ROT. GAUCHE) ARBOL DE REGULACION 5.0 (ROT. IZQUIERDA)	ALBERO DI REGOLAZIONE 5.0 (ROT.SINISTRA)	1			
	65312303	REGELWELLE 6.0 LINKSVERS. REGELING AS 6.0 (CCW)	ARBRE DE REGULATION 6.0 (ROT. GAUCHE) ARBOL DE REGULACION 6.0 (ROT. IZQUIERDA)	ALBERO DI REGOLAZIONE 6.0 (ROT.SINISTRA)	1			

		DE	FR	IT	
		NL	ES		
3005	65321049	DICHTUNG/GASSTRECKE D125/90X3 PAKKING/GASTRAIN D125/90X3	JOINT/RAMPE GAZ D125/90X3 JUNTA/GASTRAIN D125/90X3	GUARNIZIONE/RAMPA GAS D125/90X3	1
3010	65311488	GASANSCHLUSSST. DN65-R2Z 2G1/4 PN16 GASAANSLUITBUIJS DN65-R2Z 2G1/4 PN16	COLLECTEUR DN65-R2Z 2G1/4 PN16 COLECTOR DN65-R2Z 2G1/4 PN16	COLLETTORE DN65-R2Z 2G1/4 PN16	1
	65311503	GASANSCHLUSSST. DN65-R1 1/2Z 2G1/4 PN16 GASAANSLUITBUIJS DN65-R1 1/2Z 2G1/4 PN16	COLLECTEUR DN65-R1 1/2Z 2G1/4 PN16 COLECTOR DN65-R1 1/2Z 2G1/4 PN16	COLLETTORE DN65-R1 1/2Z 2G1/4 PN16	1
3020	65311606	GERADE-EINSCHRAUBVERSCHR.P-GEV 8LR-WD-VI RECHTE AANSLUITING P-GEV 8LR-WD-VI	RACCORD DROIT P-GEV 8LR-WD-VI RACOR RECTO P-GEV 8LR-WD-VI	RACCORDO DESTRO P-GEV 8LR-WD-VI	1
3030	65311604	EINSTELLB.W-VERSCHRAUBUNG P-EWV 8-L GEBOGEN AANSLUITING P-EWV 8-L	RACCORD COUDE P-EWV 8-L RACOR ACODADO P-EWV 8-L	RACCORDO A GOMITO P-EWV 8-L	1
3040	65311579	MESSNIPPEL R1/4Z M.DICHTUNG MEETNIPPEL R1/4Z+AFDICHTING	PRISE DE PRESSION R1/4Z+JOINT TOMA DE PRESIÓN R1/4Z+JUNTA	PRESA DI PRESSIONE R1/4Z+GUARNIZIONE	1
3060	65311580	GAS-MV VGD 20.4011 R1 1/2Z X 265 MM GASKLEP VGD20 4011 RP1"1/2	VANNE GAZ VGD20 4011 RP1"1/2 VALVULA GAS VGD20 4011 RP1"1/2	VALVOLA GAS VGD20 4011 RP1"1/2	1
	65311581	GAS-MV VGD 20.5011 R2Z X 265 MM GASKLEP VGD20 5011 RP2"	VANNE GAZ VGD20 5011 RP2" VALVULA GAS VGD20 5011 RP2"	VALVOLA GAS VGD20 5011 RP2"	1
3070	65107100	STELLANTRIEB SKP25.003E2 O. ENDSCHALTER REGELMOT. GAS SKP25.003E2 Z.EINDSCHALTE	SERVOMOT. GAZ SKP25.003E2 S.FIN COURSE SERVOMOTOR SKP25.003 E2 SIN FIN CARRERA	SERVOMOT. GAS SKP25.003E2 S.FINE CORSA	1
3080	65311585	KABEL ANSCHLUSS AGA 62 STCK DIN L270 KABEL CONNECT AGA 62 STCK DIN L270	CABLE CONNECT AGA 62 PRISE DIN L270 CABLE CONNECT AGA 62 TOMA DIN L270	CAVO COLLEGA AGA 62 PRESA DIN L270	1
3090	1478836180	STELLANTRIEB SKP 15.000E2 O. ENDSCHALTER REGELMOTOR GAS SKP15.000E2 Z.EINDSCHALTE	SERVOMOT.GAZ SKP15.000E2 SANS FIN COURSE SERVOMO. GAS SKP15.000E2 SIN FIN CARRERA	SERVOMOT.GAS SKP15.000E2 SENZ.FINE CORSA	1
3110	65311377	FLANSCH AGF10.50 RP2 FLENS AGF10.50 RP2	BRIDE AGF10.50 RP2 BRIDA AGF10.50 RP2	FLANGIA AGF10.50 RP2	1
	65313107	FLANSCH AGF10 RP1 1/2 MONTAGEFLENS AGF 10 40 RP1 1/2"	BRIDE AGF10 RP1 1/2 BRIDA AGF10 RP1 1/2	FLANGIA AGF10 RP1 1/2	1
3120	13010091	GASDRUCKWACHTER GW 500 A5 100-500MB GASDRUKSCHAKELAAR GW 500 A5 100-500MB	MANOSTAT GAZ GW 500 A5 100-500MB PRESOSTATO GAS GW 500 A5 100-500MB	PRESSOSTATO GAS GW 500 A5 100-500MB	1
	65311597	DRUCKWACHTER GW 150 A6 M. STECKERANSCHL GASDRUKSCHAKELAAR GW 150 A6 10-150MB DIN	MANOSTAT GAZ GW 150 A6 10-150MB DIN PRESOSTATO GAS GW 150 A6 10-150MB DIN	PRESSOSTATO GAS GW 150 A6 10-150MB DIN	1
3130	65311586	LEITUNGSDOSE VENTILANTRIEB AGA64 STEKKER VROUWELIJK AGA64	PRISE FEMELLE AGA64 TOMA HEMBRA AGA64	PRESA FEMMINA AGA64	1
3140	65311615	GERAETESTECKDOSE GDMW 30-11 DF STEKKER GDMW 30-11 DF	PRISE GDMW 30-11 DF TOMA GDMW 30-11 DF	PRESA GDMW 30-11 DF	1
3300	65311458	GASFILTER GF80M-1212-A-1 RP1 1/2 1BAR GASFILTER GF80M-1212-A-1 RP1 1/2 1BAR	FILTRE GAZ GF80M-1212-A-1 RP1 1/2 1BAR FILTRO GAS GF80M-1212-A-1 RP1 1/2 1BAR	FILTRO GAS GF80M-1212-A-1 RP1 1/2 1BAR	1
	65311459	GASFILTER GF80M-1616-A-1 RP2 1BAR GASFILTER GF80M-1616-A-1 RP2 1BAR	FILTRE GAZ GF80M-1616-A-1 RP2 1BAR FILTRO GAS GF80M-1616-A-1 RP2 1BAR	FILTRO GAS GF80M-1616-A-1 RP2 1BAR	1
	65311460	GASFILTER GF65MF-2020-A-1 DN65 1BAR GASFILTER GF65MF-2020-A-1 DN65 1BAR	FILTRE GAZ GF65MF-2020-A-1 DN65 1BAR FILTRO GAS GF65MF-2020-A-1 DN65 1BAR	FILTRO GAS GF65MF-2020-A-1 DN65 1BAR	1
	65311461	GASFILTER GF80MF-2424-A-1 DN80 1BAR GASFILTER GF80MF-2424-A-1 DN80 1BAR	FILTRE GAZ GF80MF-2424-A-1 DN80 1BAR FILTRO GAS GF80MF-2424-A-1 DN80 1BAR	FILTRO GAS GF80MF-2424-A-1 DN80 1BAR	1
3301	65311361	ERSATZTEILSET F.GASFILTER GF 80M FILTERELEMENT GF 80M	ELEMENT FILTRANT GF 80M ELEMENTO FILTRANTE GF 80M	ELEMENTO FILTRANTE GF 80M	1
	65311723	ERSATZTEILSET F.GASFILTER GF 65MF FILTERELEMENT GF65MF	ELEMENT FILTRANT GF65MF ELEMENTO FILTRANTE GF65MF	ELEMENTO FILTRANTE GF65MF	1
	65311888	ERSATZTEILSET F.GASFILTER GF 80MF FILTERELEMENT GF80MF	ELEMENT FILTRANT GF80MF ELEMENTO FILTRANTE GF80MF	ELEMENTO FILTRANTE GF80MF	1
3505	65321049	DICHTUNG/GASSTRECKE D125/90X3 PAKKING/GASTRAIN D125/90X3	JOINT/RAMPE GAZ D125/90X3 JUNTA/GASTRAIN D125/90X3	GUARNIZIONE/RAMPA GAS D125/90X3	1
3510	65311836	GASANSCHLUSSSTUECK DN65 RP1 1/2Z PN16 GASAANSLUITBUIJS DN65-R1 1/2Z PN16	COLLECTEUR DN65-R1 1/2Z PN16 COLECTOR DN65-R1 1/2Z PN16	COLLETTORE DN65-R1 1/2Z PN16	1
	65311837	GASANSCHLUSSSTUECK DN65 RP2Z PN16 GASAANSLUITBUIJS DN65-R2Z PN16	COLLECTEUR DN65-R2Z PN16 COLECTOR DN65-R2Z PN16	COLLETTORE DN65-R2Z PN16	1
3580	65311838	GASVENTIL MBC-300-SE S82 5-80MBAR GASKLEP MBC300 SE S82 5-80 MBAR	VANNE GAZ MBC300 SE S82 5-80MBAR VALVULA GAS MBC300SE S82 5-80MBA	VALVOLA GAS MBC300SE S82 5-80MBA	1
	65311839	GAS-DOPPEL-MV MBC-700-SE S82 5-80 MBAR GASKLEP MBC700 SE S82 RP1"1/4 5-80 MBAR	VANNE GAZ MBC700 SE S82 RP1"1/4 5-80MBA VALVULA GAS MBC700SES82 RP1"1/4 5-80MBA	VALVOLA GAS MBC700SES82 RP1"1/4 5-80MBA	1
	65311840	GASVENTIL MBC-1200-SE S82 RP2Z 5-80MBAR GASKLEP MBC1200 SE S82 RP2" 5-80 MBAR	VANNE GAZ MBC1200 SE S82 RP2" 5-80 MBAR VALVULA GAS MBC1200 SE S82 RP2" 5-80MBA	VALVOLA GAS MBC1200 SE S82 RP2" 5-80MBA	1
3620	65311841	ANSCHLUSSFLANSCH MBC-300 RP1 1/2Z FLENS MBC300 RP1 1/2	BRIDE MBC300 RP1 1/2 BRIDA MBC300 RP1 1/2	FLANGIA MBC300 RP1 1/2	1
	65313021	FLANSCH ZU DMV-D R1 1/2Z O.MESSNIPPEL FLENS MBC700/1200 RP1 1/2	BRIDE MBC700/1200 RP1 1/2 BRIDA MBC700/1200 RP1 1/2	FLANGIA MBC700/1200 RP1 1/2	1
	65313022	FLANSCH ZU DMV-D R 2Z O.MESSNIPPEL FLENS MBC700/1200 RP2	BRIDE MBC700/1200 RP2 BRIDA MBC700/1200 RP2	FLANGIA MBC700/1200 RP2	1
3640	13010091	GASDRUCKWACHTER GW 500 A5 100-500MB GASDRUKSCHAKELAAR GW 500 A5 100-500MB	MANOSTAT GAZ GW 500 A5 100-500MB PRESOSTATO GAS GW 500 A5 100-500MB	PRESSOSTATO GAS GW 500 A5 100-500MB	1
	65311598	DRUCKWACHTER GW 150 A5 M. STECKERANSCHL GASDRUKSCHAKELAAR GW 150 A5 30-150MB	MANOSTAT GAZ GW 150 A5 30-150MB PRESOSTATO GAS GW 150 A5 30-150MB	PRESSOSTATO GAS GW 150 A5 30-150MB	1
3650	65311615	GERAETESTECKDOSE GDMW 30-11 DF STEKKER GDMW 30-11 DF	PRISE GDMW 30-11 DF TOMA GDMW 30-11 DF	PRESA GDMW 30-11 DF	1

		DE	FR	IT	X
		NL	ES		
3700	13022415	FILTEREINSATZ F. GASVENTIL MBC300 ZEEFFILTER/GASKLEP MBC300	FILTRE TAMIS/VANNE GAZ MBC300 FILTRO DE TAMIZ/VÁLVULA DE GAS MBC300	SET FILTRI/VALVOLA GAS MBC300	1
	13022416	FILTEREINSATZ F.GASVENT.MBC-700 ZEEFFILTER/GASKLEP MBC700	FILTRE TAMIS/VANNE GAZ MBC700 FILTRO DE TAMIZ/VÁLVULA DE GAS MBC700	SET FILTRI/VALVOLA GAS MBC700	1
	13022417	FILTEREINSATZ F.GASVENT.MBC-1200 ZEEFFILTER/GASKLEP MBC1200	FILTRE TAMIS/VANNE GAZ MBC1200 FILTRO DE TAMIZ/VÁLVULA DE GAS MBC1200	SET FILTRI/VALVOLA GAS MBC1200	1
3800	65311458	GASFILTER GF80M-1212-A-1 RP1 1/2 1BAR GASFILTER GF80M-1212-A-1 RP1 1/2 1BAR	FILTRE GAZ GF80M-1212-A-1 RP1 1/2 1BAR FILTRO GAS GF80M-1212-A-1 RP1 1/2 1BAR	FILTRO GAS GF80M-1212-A-1 RP1 1/2 1BAR	1
	65311459	GASFILTER GF80M-1616-A-1 RP2 1BAR GASFILTER GF80M-1616-A-1 RP2 1BAR	FILTRE GAZ GF80M-1616-A-1 RP2 1BAR FILTRO GAS GF80M-1616-A-1 RP2 1BAR	FILTRO GAS GF80M-1616-A-1 RP2 1BAR	1
	65311460	GASFILTER GF65MF-2020-A-1 DN65 1BAR GASFILTER GF65MF-2020-A-1 DN65 1BAR	FILTRE GAZ GF65MF-2020-A-1 DN65 1BAR FILTRO GAS GF65MF-2020-A-1 DN65 1BAR	FILTRO GAS GF65MF-2020-A-1 DN65 1BAR	1
	65311461	GASFILTER GF80MF-2424-A-1 DN80 1BAR GASFILTER GF80MF-2424-A-1 DN80 1BAR	FILTRE GAZ GF80MF-2424-A-1 DN80 1BAR FILTRO GAS GF80MF-2424-A-1 DN80 1BAR	FILTRO GAS GF80MF-2424-A-1 DN80 1BAR	1
3801	65311361	ERSATZTEILSET F.GASFILTER GF 80M FILTERELEMENT GF 80M	ELEMENT FILTRANT GF 80M ELEMENTO FILTRANTE GF 80M	ELEMENTO FILTRANTE GF 80M	1
	65311723	ERSATZTEILSET F.GASFILTER GF 65MF FILTERELEMENT GF65MF	ELEMENT FILTRANT GF65MF ELEMENTO FILTRANTE GF65MF	ELEMENTO FILTRANTE GF65MF	1
	65311888	ERSATZTEILSET F.GASFILTER GF 80MF FILTERELEMENT GF80MF	ELEMENT FILTRANT GF80MF ELEMENTO FILTRANTE GF80MF	ELEMENTO FILTRANTE GF80MF	1
4005	65321049	DICHTUNG/GASSTRECKE D125/90X3 PAKKING/GASTRAIN D125/90X3	JOINT/RAMPE GAZ D125/90X3 JUNTA/GASTRAIN D125/90X3	GUARNIZIONE/RAMPA GAS D125/90X3	1
4010	65311494	GASANSCHLUSSST. DN65-DN80 PN16 GASAANSLUITBUIS DN65-DN80 PN16	COLLECTEUR DN65-DN80 PN16 COLECTOR DN65-DN80 PN16	COLLETORE DN65-DN80 PN16	1
	65311506	GASANSCHLUSSST. DN65-DN65 PN16 GASAANSLUITBUIS DN65-DN65 PN16	COLLECTEUR DN65-DN65 PN16 COLECTOR DN65-DN65 PN16	COLLETORE DN65-DN65 PN16	1
	65311508	GASANSCHLUSSST. DN65-DN100 PN16 GASAANSLUITBUIS DN65-DN100 PN16	COLLECTEUR DN65-DN100 PN16 COLECTOR DN65-DN100 PN16	COLLETORE DN65-DN100 PN16	1
	65311509	GASANSCHLUSSST. DN65-DN125 PN16 GASAANSLUITBUIS DN65-DN125 PN16	COLLECTEUR DN65-DN125 PN16 COLECTOR DN65-DN125 PN16	COLLETORE DN65-DN125 PN16	1
4020	65311601	GERADE-EINSCHRAUBSTUT.P-EGES 12L/R 1/4WD RECHTE AANSLUITING P-EGES 12L/R 1/4WD	RACCORD DROIT P-EGES 12L/R 1/4WD RACOR RECTO P-EGES 12L/R 1/4WD	RACCORDO DESTRO P-EGES 12L/R 1/4WD	1
4030	65311605	KREUZVERSCHR.P-KV12L AANSLUITING P-KV12L	RACCORD P-KV12L RACOR P-KV12L	RACCORDO P-KV12L	1
4040	65311603	EINSTELLBARE W-VERSCHR.P-EWS 12 L-SS GEBOGEN AANSLUITING P-EWS 12 L-SS	RACCORD COUDE P-EWS 12 L-SS RACOR ACODADO P-EWS 12 L-SS	RACCORDO A GOMITO P-EWS 12 L-SS	1
4060	65311607	VERSCHLUSSTOPFEN VSD 12L/S O.M.MB. STOP VSD 12L/S O.M.MB.	BOUCHON VSD 12L/S O.M.MB. TAPÓN VSD 12L/S O.M.MB.	TAPPO VSD 12L/S O.M.MB.	1
4080	65311453	GAS-MV VGD 40.125 DN125 PN16 X 400 MM GASKLEP VGD40 125 DN125	VANNE GAZ VGD40 125 DN125 VALVULA GAS VGD40 125 DN125	VALVOLA GAS VGD40 125 DN125	1
	65311583	GAS-MV VGD 40.080 DN80 X 310MM GASKLEP VGD40 080 DN80	VANNE GAZ VGD40 080 DN80 VALVULA GAS VGD40 080 DN80	VALVOLA GAS VGD40 080 DN80	1
	65311590	GAS-MV VGD 40.100 DN100 X 350 MM GASKLEP VGD40 100 DN100	VANNE GAZ VGD40 100 DN100 VALVULA GAS VGD40 100 DN100	VALVOLA GAS VGD40 100 DN100	1
	65323661	GAS-MV VGD 40.065 GASKLEP VGD40 065 DN65	VANNE GAZ VGD40 065 DN65 VÁLVULA GAS VGD40 065 DN65	VALVOLA GAS VGD40 065 DN65	1
4090	65107100	STELLANTRIEB SKP25.003E2 O. ENDSCHALTER REGELMOT. GAS SKP25.003E2 Z.EINDSCHALTE	SERVOMOT. GAZ SKP25.003E2 S.FIN COURSE SERVOMOTOR SKP25.003 E2 SIN FIN CARRERA	SERVOMOT. GAS SKP25.003E2 S.FINE CORSA	1
4100	65311585	KABEL ANSCHLUSS AGA 62 STCK DIN L270 KABEL CONNECT AGA 62 STCK DIN L270	CABLE CONNECT AGA 62 PRISE DIN L270 CABLE CONNECT AGA 62 TOMA DIN L270	CAVO COLLEGA AGA 62 PRESA DIN L270	1
4110	1478836180	STELLANTRIEB SKP 15.000E2 O. ENDSCHALTER REGELMOTOR GAS SKP15.000E2 Z.EINDSCHALTE	SERVOMOT.GAZ SKP15.000E2 SANS FIN COURSE SERVOMO. GAS SKP15.000E2 SIN FIN CARRERA	SERVOMOT.GAS SKP15.000E2 SENZ.FINE CORSA	1
4120	65311342	DICHTUNG/GASSTRECKE D218/169X2 DN150 PAKKING/GASTRAIN D218/169X2 DN150	JOINT/RAMPE GAZ D218/169X2 DN150 JUNTA/GASTRAIN D218/169X2 DN150	GUARNIZIONE/RAMPA GAS D218/169X2 DN150	1
	65311611	DICHTUNG/GASSTRECKE D127/77X2 DN65 PAKKING/GASTRAIN D127/77X2 DN65	JOINT/RAMPE GAZ D127/77X2 DN65 JUNTA/GASTRAIN D127/77X2 DN65	GUARNIZIONE/RAMPA GAS D127/77X2 DN65	1
	65311612	DICHTUNG/GASSTRECKE D142/90X2 DN80 PAKKING/GASTRAIN D142/90X2 DN80	JOINT/RAMPE GAZ D142/90X2 DN80 JUNTA/GASTRAIN D142/90X2 DN80	GUARNIZIONE/RAMPA GAS D142/90X2 DN80	1
	65311613	DICHTUNG/GASSTRECKE D162/115X2 DN100 PAKKING/GASTRAIN D162/115X2 DN100	JOINT/RAMPE GAZ D162/115X2 DN100 JUNTA/GASTRAIN D162/115X2 DN100	GUARNIZIONE/RAMPA GAS D162/115X2 DN100	1
	65311614	DICHTUNG/GASSTRECKE D192/141X2 DN125 PAKKING/GASTRAIN D192/141X2 DN125	JOINT/RAMPE GAZ D192/141X2 DN125 JUNTA/GASTRAIN D192/141X2 DN125	GUARNIZIONE/RAMPA GAS D192/141X2 DN125	1
4130	65311586	LEITUNGSDOSE VENTILANTRIEB AGA64 STEKKER VROUWELIJK AGA64	PRISE FEMELLE AGA64 TOMA HEMBRA AGA64	PRESA FEMMINA AGA64	1
4140	65311615	GERAETESTECKDOSE GDMW 30-11 DF STEKKER GDMW 30-11 DF	PRISE GDMW 30-11 DF TOMA GDMW 30-11 DF	PRESA GDMW 30-11 DF	1
4150	13010091	GASDRUCKWACHTER GW 500 A5 100-500MB GASDRUKSCHAKELAAR GW 500 A5 100-500MB	MANOSTAT GAZ GW 500 A5 100-500MB PRESOSTATO GAS GW 500 A5 100-500MB	PRESSOSTATO GAS GW 500 A5 100-500MB	1
	65311597	DRUCKWACHTER GW 150 A6 M. STECKERANSCHL GASDRUKSCHAKELAAR GW 150 A6 10-150MB DIN	MANOSTAT GAZ GW 150 A6 10-150MB DIN PRESOSTATO GAS GW 150 A6 10-150MB DIN	PRESSOSTATO GAS GW 150 A6 10-150MB DIN	1
4300	65311460	GASFILTER GF65MF-2020-A-1 DN65 1BAR GASFILTER GF65MF-2020-A-1 DN65 1BAR	FILTRE GAZ GF65MF-2020-A-1 DN65 1BAR FILTRO GAS GF65MF-2020-A-1 DN65 1BAR	FILTRO GAS GF65MF-2020-A-1 DN65 1BAR	1

		DE		FR		IT		
		NL		ES				
	65311461	GASFILTER GF80MF-2424-A-1 DN80 1BAR GASFILTER GF80MF-2424-A-1 DN80 1BAR	FILTRE GAZ GF80MF-2424-A-1 DN80 1BAR FILTRO GAS GF80MF-2424-A-1 DN80 1BAR	FILTRO GAS GF80MF-2424-A-1 DN80 1BAR	1			
	65311462	GASFILTER GF100MF-3232-A-1 DN100 1BAR GASFILTER GF100MF-3232-A-1 DN100 1BAR	FILTRE GAZ GF100MF-3232-A-1 DN100 1BAR FILTRO GAS GF100MF-3232-A-1 DN100 1BAR	FILTRO GAS GF100MF-3232-A-1 DN100 1BAR	1			
	65311463	GASFILTER GF125MF-4040-A-1 DN125 1BAR GASFILTER GF125MF-4040-A-1 DN125 1BAR	FILTRE GAZ GF125MF-4040-A-1 DN125 1BAR FILTRO GAS GF125MF-4040-A-1 DN125 1BAR	FILTRO GAS GF125MF-4040-A-1 DN125 1BAR	1			
	65311892	GASFILTER GF150MF-4848-A-1 DN150 1BAR GASFILTER GF150MF-4848-A-1 DN150 1BAR	FILTRE GAZ GF150MF-4848-A-1 DN150 1BAR FILTRO GAS GF150MF-4848-A-1 DN150 1BAR	FILTRO GAS GF150MF-4848-A-1 DN150 1BAR	1			
4301	65311623	ERSATZTEILSET F.GASFILTER GF150MF FILTERELEMENT GF150MF	ELEMENT FILTRANT GF150MF ELEMENTO FILTRANTE GF150MF	ELEMENTO FILTRANTE GF150MF	1			
	65311723	ERSATZTEILSET F.GASFILTER GF 65MF FILTERELEMENT GF65MF	ELEMENT FILTRANT GF65MF ELEMENTO FILTRANTE GF65MF	ELEMENTO FILTRANTE GF65MF	1			
	65311888	ERSATZTEILSET F.GASFILTER GF 80MF FILTERELEMENT GF80MF	ELEMENT FILTRANT GF80MF ELEMENTO FILTRANTE GF80MF	ELEMENTO FILTRANTE GF80MF	1			
	65311889	ERSATZTEILSET F.GASFILTER GF100MF FILTERELEMENT GF100MF	ELEMENT FILTRANT GF100MF ELEMENTO FILTRANTE GF100MF	ELEMENTO FILTRANTE GF100MF	1			
	65311890	ERSATZTEILSET F.GASFILTER GF125MF FILTERELEMENT GF125MF	ELEMENT FILTRANT GF125MF ELEMENTO FILTRANTE GF125MF	ELEMENTO FILTRANTE GF125MF	1			
4505	65321049	DICHTUNG/GASSTRECKE D125/90X3 PAKKING/GASTRAIN D125/90X3	JOINT/RAMPE GAZ D125/90X3 JUNTA/GASTRAIN D125/90X3	GUARNIZIONE/RAMPA GAS D125/90X3	1			
4510	65311494	GASANSCHLUSSST. DN65-DN80 PN16 GASAANSLUITBUIS DN65-DN80 PN16	COLLECTEUR DN65-DN80 PN16 COLECTOR DN65-DN80 PN16	COLLETTORE DN65-DN80 PN16	1			
	65311506	GASANSCHLUSSST. DN65-DN65 PN16 GASAANSLUITBUIS DN65-DN65 PN16	COLLECTEUR DN65-DN65 PN16 COLECTOR DN65-DN65 PN16	COLLETTORE DN65-DN65 PN16	1			
	65311508	GASANSCHLUSSST. DN65-DN100 PN16 GASAANSLUITBUIS DN65-DN100 PN16	COLLECTEUR DN65-DN100 PN16 COLECTOR DN65-DN100 PN16	COLLETTORE DN65-DN100 PN16	1			
4520	65311601	GERADE-EINSCHRAUBSTUT.P-EGES 12L/R 1/4WD RECHTE AANSLUITING P-EGES 12L/R 1/4WD	RACCORD DROIT P-EGES 12L/R 1/4WD RACOR RECTO P-EGES 12L/R 1/4WD	RACCORDO DESTRO P-EGES 12L/R 1/4WD	1			
4530	65311344	T-VERSCHRAUBUNG P-TV 12 L T-STUK P-TV 12 L	RACCORD EN T P-TV 12 L RACOR EN T P-TV 12 L	RACCORDO A T P-TV 12 L	1			
4560	65311607	VERSCHLUSSTOPFEN VSD 12L/S O.M.MB. STOP VSD 12L/S O.M.MB.	BOUCHON VSD 12L/S O.M.MB. TAPON VSD 12L/S O.M.MB.	TAPPO VSD 12L/S O.M.MB.	1			
4580	65311844	GASVENTIL MBC-1900-SE DN65 40-80MBAR GASKLEP MBC1900 SE DN65 40-80MBAR	VANNE GAZ MBC1900 SE DN65 40-80MBAR VALVULA GAS MBC1900SE DN65 40-80MBAR	VALVOLA GAS MBC1900 SE DN65 40-80MBAR	1			
	65311845	GASVENTIL MBC-3100-SE DN80 40-80MBAR GASKLEP MBC3100 SE DN80 40-80 MBAR	VANNE GAZ MBC3100 SE DN80 40-80 MBAR VALVULA GAS MBC3100 SE DN80 40-80 MBAR	VALVOLA GAS MBC3100 SE DN80 40-80 MBAR	1			
	65311846	GASVENTIL MBC-5000-SE DN100 40-80MBAR GASKLEP MBC5000 SE DN100 40-80 MBAR	VANNE GAZ MBC5000 SE DN100 40-80 MBAR VALVULA GAS MBC5000 SE DN100 40-80 MBAR	VALVOLA GAS MBC5000 SE DN100 40-80 MBAR	1			
4620	65311342	DICHTUNG/GASSTRECKE D218/169X2 DN150 PAKKING/GASTRAIN D218/169X2 DN150	JOINT/RAMPE GAZ D218/169X2 DN150 JUNTA/GASTRAIN D218/169X2 DN150	GUARNIZIONE/RAMPA GAS D218/169X2 DN150	1			
	65311611	DICHTUNG/GASSTRECKE D127/77X2 DN65 PAKKING/GASTRAIN D127/77X2 DN65	JOINT/RAMPE GAZ D127/77X2 DN65 JUNTA/GASTRAIN D127/77X2 DN65	GUARNIZIONE/RAMPA GAS D127/77X2 DN65	1			
	65311612	DICHTUNG/GASSTRECKE D142/90X2 DN80 PAKKING/GASTRAIN D142/90X2 DN80	JOINT/RAMPE GAZ D142/90X2 DN80 JUNTA/GASTRAIN D142/90X2 DN80	GUARNIZIONE/RAMPA GAS D142/90X2 DN80	1			
	65311613	DICHTUNG/GASSTRECKE D162/115X2 DN100 PAKKING/GASTRAIN D162/115X2 DN100	JOINT/RAMPE GAZ D162/115X2 DN100 JUNTA/GASTRAIN D162/115X2 DN100	GUARNIZIONE/RAMPA GAS D162/115X2 DN100	1			
	65311614	DICHTUNG/GASSTRECKE D192/141X2 DN125 PAKKING/GASTRAIN D192/141X2 DN125	JOINT/RAMPE GAZ D192/141X2 DN125 JUNTA/GASTRAIN D192/141X2 DN125	GUARNIZIONE/RAMPA GAS D192/141X2 DN125	1			
4640	13010091	GASDRUCKWACHTER GW 500 A5 100-500MB GASDRUKSCHAKELAAR GW 500 A5 100-500MB	MANOSTAT GAZ GW 500 A5 100-500MB PRESOSTATO GAS GW 500 A5 100-500MB	PRESSOSTATO GAS GW 500 A5 100-500MB	1			
	65311597	DRUCKWACHTER GW 150 A6 M. STECKERANSCHL. GASDRUKSCHAKELAAR GW 150 A6 10-150MB DIN	MANOSTAT GAZ GW 150 A6 10-150MB DIN PRESOSTATO GAS GW 150 A6 10-150MB DIN	PRESSOSTATO GAS GW 150 A6 10-150MB DIN	1			
4650	65311615	GERAETESTECKDOSE GDMW 30-11 DF STEKKER GDMW 30-11 DF	PRISE GDMW 30-11 DF TOMA GDMW 30-11 DF	PRESA GDMW 30-11 DF	1			
4800	65311460	GASFILTER GF65MF-2020-A-1 DN65 1BAR GASFILTER GF65MF-2020-A-1 DN65 1BAR	FILTRE GAZ GF65MF-2020-A-1 DN65 1BAR FILTRO GAS GF65MF-2020-A-1 DN65 1BAR	FILTRO GAS GF65MF-2020-A-1 DN65 1BAR	1			
	65311461	GASFILTER GF80MF-2424-A-1 DN80 1BAR GASFILTER GF80MF-2424-A-1 DN80 1BAR	FILTRE GAZ GF80MF-2424-A-1 DN80 1BAR FILTRO GAS GF80MF-2424-A-1 DN80 1BAR	FILTRO GAS GF80MF-2424-A-1 DN80 1BAR	1			
	65311462	GASFILTER GF100MF-3232-A-1 DN100 1BAR GASFILTER GF100MF-3232-A-1 DN100 1BAR	FILTRE GAZ GF100MF-3232-A-1 DN100 1BAR FILTRO GAS GF100MF-3232-A-1 DN100 1BAR	FILTRO GAS GF100MF-3232-A-1 DN100 1BAR	1			
	65311463	GASFILTER GF125MF-4040-A-1 DN125 1BAR GASFILTER GF125MF-4040-A-1 DN125 1BAR	FILTRE GAZ GF125MF-4040-A-1 DN125 1BAR FILTRO GAS GF125MF-4040-A-1 DN125 1BAR	FILTRO GAS GF125MF-4040-A-1 DN125 1BAR	1			
	65311892	GASFILTER GF150MF-4848-A-1 DN150 1BAR GASFILTER GF150MF-4848-A-1 DN150 1BAR	FILTRE GAZ GF150MF-4848-A-1 DN150 1BAR FILTRO GAS GF150MF-4848-A-1 DN150 1BAR	FILTRO GAS GF150MF-4848-A-1 DN150 1BAR	1			
4801	65311623	ERSATZTEILSET F.GASFILTER GF150MF FILTERELEMENT GF150MF	ELEMENT FILTRANT GF150MF ELEMENTO FILTRANTE GF150MF	ELEMENTO FILTRANTE GF150MF	1			
	65311723	ERSATZTEILSET F.GASFILTER GF 65MF FILTERELEMENT GF65MF	ELEMENT FILTRANT GF65MF ELEMENTO FILTRANTE GF65MF	ELEMENTO FILTRANTE GF65MF	1			
	65311888	ERSATZTEILSET F.GASFILTER GF 80MF FILTERELEMENT GF80MF	ELEMENT FILTRANT GF80MF ELEMENTO FILTRANTE GF80MF	ELEMENTO FILTRANTE GF80MF	1			
	65311889	ERSATZTEILSET F.GASFILTER GF100MF FILTERELEMENT GF100MF	ELEMENT FILTRANT GF100MF ELEMENTO FILTRANTE GF100MF	ELEMENTO FILTRANTE GF100MF	1			

		DE	FR	IT	
		NL	ES		
5001	65311890	ERSATZTEILSET F.GASFILTER GF125MF FILTERELEMENT GF125MF	ELEMENT FILTRANT GF125MF ELEMENTO FILTRANTE GF125MF	ELEMENTO FILTRANTE GF125MF	1
	13017896	DUESE DZ1000 240KG 60° M14 1-5 SPROEIER DZ1000 240KG 60° M14 1-5	GICLEUR DZ1000 240KG 60° M14 1-5 BOQUILLA DZ1000 240KG 60° M14 1-5	UGELLO DZ1000 240KG 60° M14 1-5	1
	13020640	DUESE DZ1000 350KG 60° M14 1-5 SPROEIER DZ1000 350KG 60° M14 1-5	GICLEUR DZ1000 350KG 60° M14 1-5 BOQUILLA DZ1000 350KG 60° M14 1-5	UGELLO DZ1000 350KG 60° M14 1-5	1
	13020641	DUESE DZ1000 400KG 60° M14 1-5 SPROEIER DZ1000 400KG 60° M14 1-5	GICLEUR DZ1000 400KG 60° M14 1-5 BOQUILLA DZ1000 400KG 60° M14 1-5	UGELLO DZ1000 400KG 60° M14 1-5	1
	14024344	DUESE FLU 140KG 45° W1 SPROEIER FLU 140KG 45° W1	GICLEUR FLU 140KG 45° W1 BOQUILLA FLU 140KG 45° W1	UGELLO FLU 140KG 45° W1	1
	1450621478	DUESE DZ1000 450KG 60° M14 1-5 SPROEIER DZ1000 450KG 60° M14 1-5	GICLEUR DZ1000 450KG 60° M14 1-5 BOQUILLA DZ1000 450KG 60° M14 1-5	UGELLO DZ1000 450KG 60° M14 1-5	1
	1458419183	DUESE DZ1000 260KG 45° M14 1-5 SPROEIER DZ1000 260KG 45° M14 1-5	GICLEUR DZ1000 260KG 45° M14 1-5 BOQUILLA DZ1000 260KG 45° M14 1-5	UGELLO DZ1000 260KG 45° M14 1-5	1
	1458419218	DUESE DZ1000 325KG 45° M14 1-5 SPROEIER DZ1000 325KG 45° M14 1-5	GICLEUR DZ1000 325KG 45° M14 1-5 BOQUILLA DZ1000 325KG 45° M14 1-5	UGELLO DZ1000 325KG 45° M14 1-5	1
	1458419230	DUESE DZ1000 375KG 45° M14 1-5 SPROEIER DZ1000 375KG 45° M14 1-5	GICLEUR DZ1000 375KG 45° M14 1-5 BOQUILLA DZ1000 375KG 45° M14 1-5	UGELLO DZ1000 375KG 45° M14 1-5	1
	3333112566	DUESE FLU 100KG 50° W1 SPROEIER FLU 100KG 50° W1	GICLEUR FLU 100KG 50° W1 BOQUILLA FLU 100KG 50° W1	UGELLO FLU 100KG 50° W1	1
	65310356	DUESE DZ1000 280KG 60° M14 1-5 SPROEIER DZ1000 280KG 60° M14 1-5	GICLEUR DZ1000 280KG 60° M14 1-5 BOQUILLA DZ1000 280KG 60° M14 1-5	UGELLO DZ1000 280KG 60° M14 1-5	1
	65310357	DUESE DZ1000 300KG 60° M14 1-5 SPROEIER DZ1000 300KG 60° M14 1-5	GICLEUR DZ1000 300KG 60° M14 1-5 BOQUILLA DZ1000 300KG 60° M14 1-5	UGELLO DZ1000 300KG 60° M14 1-5	1
	65311376	DUESE DZ1000 375KG 60° M14 1-5 SPROEIER DZ1000 375KG 60° M14 1-5	GICLEUR DZ1000 375KG 60° M14 1-5 BOQUILLA DZ1000 375KG 60° M14 1-5	UGELLO DZ1000 375KG 60° M14 1-5	1
	65311876	DUESE FLU 200KG 50° W1 SPROEIER FLU 200KG 50° W1	GICLEUR FLU 200KG 50° W1 BOQUILLA FLU 200KG 50° W1	UGELLO FLU 200KG 50° W1	1
	65312071	DUESE FLU 200KG 45° W1 SPROEIER FLU 200KG 45° W1	GICLEUR FLU 200KG 45° W1 BOQUILLA FLU 200KG 45° W1	UGELLO FLU 200KG 45° W1	1
	65312075	DUESE DZ1000 300KG 45° M14 1-5 SPROEIER DZ1000 300KG 45° M14 1-5	GICLEUR DZ1000 300KG 45° M14 1-5 BOQUILLA DZ1000 300KG 45° M14 1-5	UGELLO DZ1000 300KG 45° M14 1-5	1
	65312165	DUESE DZ1000 350KG 45° M14 1-5 SPROEIER DZ1000 350KG 45° M14 1-5	GICLEUR DZ1000 350KG 45° M14 1-5 BOQUILLA DZ1000 350KG 45° M14 1-5	UGELLO DZ1000 350KG 45° M14 1-5	1
	65312267	DUESE FLU 140KG 50° W1 SPROEIER FLU 140KG 50° W1	GICLEUR FLU 140KG 50° W1 BOQUILLA FLU 140KG 50° W1	UGELLO FLU 140KG 50° W1	1
	65312431	DUESE FLU 112KG 50° W1 SPROEIER FLU 112KG 50° W1	GICLEUR FLU 112KG 50° W1 BOQUILLA FLU 112KG 50° W1	UGELLO FLU 112KG 50° W1	1
65312444	DUESE FLU 160KG 45° W1 SPROEIER FLU 160KG 45° W1	GICLEUR FLU 160KG 45° W1 BOQUILLA FLU 160KG 45° W1	UGELLO FLU 160KG 45° W1	1	
65312670	DUESE FLU 160KG 50° W1 SPROEIER FLU 160KG 50° W1	GICLEUR FLU 160KG 50° W1 BOQUILLA FLU 160KG 50° W1	UGELLO FLU 160KG 50° W1	1	
65312814	DUESE FLU 250KG 50° W1 SPROEIER FLU 250KG 50° W1	GICLEUR FLU 250KG 50° W1 BOQUILLA FLU 250KG 50° W1	UGELLO FLU 250KG 50° W1	1	
65312954	DUESE FLU 100KG 45° W1 SPROEIER FLU 100KG 45° W1	GICLEUR FLU 100KG 45° W1 BOQUILLA FLU 100KG 45° W1	UGELLO FLU 100KG 45° W1	1	
65312970	DUESE FLU 112KG 45° W1 SPROEIER FLU 112KG 45° W1	GICLEUR FLU 112KG 45° W1 BOQUILLA FLU 112KG 45° W1	UGELLO FLU 112KG 45° W1	1	
65312971	DUESE FLU 225KG 45° W1 SPROEIER FLU 225KG 45° W1	GICLEUR FLU 225KG 45° W1 BOQUILLA FLU 225KG 45° W1	UGELLO FLU 225KG 45° W1	1	
65312972	DUESE FLU 250KG 45° W1 SPROEIER FLU 250KG 45° W1	GICLEUR FLU 250KG 45° W1 BOQUILLA FLU 250KG 45° W1	UGELLO FLU 250KG 45° W1	1	
65313144	DUESE DZ1000 325KG 60° M14 1-5 SPROEIER DZ1000 325KG 60° M14 1-5	GICLEUR DZ1000 325KG 60° M14 1-5 BOQUILLA DZ1000 325KG 60° M14 1-5	UGELLO DZ1000 325KG 60° M14 1-5	1	
65313160	DUESE DZ1000 240KG 45° M14 1-5 SPROEIER DZ1000 240KG 45° M14 1-5	GICLEUR DZ1000 240KG 45° M14 1-5 BOQUILLA DZ1000 240KG 45° M14 1-5	UGELLO DZ1000 240KG 45° M14 1-5	1	
65313161	DUESE DZ1000 280KG 45° M14 1-5 SPROEIER DZ1000 280KG 45° M14 1-5	GICLEUR DZ1000 280KG 45° M14 1-5 BOQUILLA DZ1000 280KG 45° M14 1-5	UGELLO DZ1000 280KG 45° M14 1-5	1	
65313162	DUESE DZ1000 400KG 45° M14 1-5 SPROEIER DZ1000 400KG 45° M14 1-5	GICLEUR DZ1000 400KG 45° M14 1-5 BOQUILLA DZ1000 400KG 45° M14 1-5	UGELLO DZ1000 400KG 45° M14 1-5	1	
65313163	DUESE DZ1000 450KG 45° M14 1-5 SPROEIER DZ1000 450KG 45° M14 1-5	GICLEUR DZ1000 450KG 45° M14 1-5 BOQUILLA DZ1000 450KG 45° M14 1-5	UGELLO DZ1000 450KG 45° M14 1-5	1	
65313565	DUESE FLU 225KG 50° W1 SPROEIER FLU 225KG 50° W1	GICLEUR FLU 225KG 50° W1 BOQUILLA FLU 225KG 50° W1	UGELLO FLU 225KG 50° W1	1	
65324932	DUESE DZ1000 260KG 60° M14 1-5 SPROEIER DZ1000 260KG 60° M14 1-5	GICLEUR DZ1000 260KG 60° M14 1-5 BOQUILLA DZ1000 260KG 60° M14 1-5	UGELLO DZ1000 260KG 60° M14 1-5	1	
5002	65312450	FEUERUNGSAUT. BT340 SPEZIAL. EINSTELL. BRANDERAUT. BT340 SPECIAL. AFSTELLING	COFFRET BT340 REGLAGE SPECIFIQUE PROGRAMADOR BT340 CONFIG. ESPECIFICA	APPARECCH. BT340 REGOL. SPEZIAL.	1
	65312455	FEUERUNGSAUTOM. BT340 GL-EF3(FQ.UM) BRANDERAUT. BT340 GL-EF3(FQ.OMV.)	COFFRET BT340 GL-EF3 (+REG.FRQ.) PROGRAMAD.BT340 GL-EF3(+CONV.FREQ.)	APPARECCHIAT.BT340 GL-EF3(+REG.FQ)	1
5010	65311362	PRUEFBRENNER M.DRUCKKNOPFHAHN PB2 PROEFBRANDER MET DRUKKNOP PB2	BRULEUR ESSAI AVEC B. POUSSOIR PB2 QUEMADOR DE PRUEBA CON PULSADOR PB2	BRUCIATORE DI PROVA CON PULSANTE PB2	1



		 			
1020	65312332	ЧЕХОЛ/ВОЗДУШНЫЙ БЛОК KAPAĞI/HAVA KUTUSU	TAMPA CAIXA DE AR	POKRYWA/OBUDOWA UKŁADU POWIETRZA	1
1030	65312333	ЗВУКОИЗОЛЯЦИЯ/ВОЗДУШНЫЙ БЛОК İZOLASYONU/HAVA KUTUSU	ISOLAMENTO SONORO/CAIXA DE AR	İZOLACJA/OBUDOWA UKŁADU POWIETRZA	1
1040	65311474	ВОЗДУШНЫЙ КОЖУХ HAVA KILAVUZU	GUIA AR	PRZEWODNIK POWIETRZA	1
	65311490	ВОЗДУШНЫЙ КОЖУХ HAVA KILAVUZU	GUIA AR	PRZEWODNIK POWIETRZA	1
1050	1180603227	БЕСЦВЕТ. ГЛАЗОК ДЛЯ КОНТРОЛЯ ПЛАМЕНИ RENKSİZ GÖZETLEME CAMI D55X21	VIGIA INCOLOR D55X21	WZIERNIK BEZBARWNA D55X21	1
1060	1188052260	ГЛАЗОК ДЛЯ КОНТРОЛЯ ПЛАМЕНИ КОРОБ KARAK/GÖZETLEME CAMI D55X61	TAMPA VIGIA D55X61	POKRYWA/WZIERNIK D55X61	1
1070	1180559591	ГАЙКА/ГЛАЗОК ДЛЯ КОНТРОЛЯ ПЛАМЕНИ SOMUN/GÖZETLEME CAMI M48X1,5 SW60	PARAFUSO VIGIA M48X1,5 SW60	NAKRĘTKA/WZIERNIK M48X1,5 SW60	1
1080	65311489	РАБОЧЕЕ КОЛЕСО D438/225X89 D28+ПЛИТА D58 TÜRBİN D438/225X89 D28+PLAKA D58/12	TURBINA D438/225X89 D28+PRATO D58/12	WIMIK D438/225X89 D28+PŁYTA D58/12	1
	65311822	РАБОЧЕЕ КОЛЕСО D485/252X102D38+ПЛИТА D58 TÜRBİN D485/252X102 D38+PLAKA D58/12	TURBINA D485/252X102 D38+PRATO D58/12	WIMIK D485/252X102 D38+PŁYTA D58/12	1
1090	65311471	ТРАНСФОРМАТОР РОЗЖИГА ЕБИ 1X11 230 ATEŞLEME TRAFO. EBI 1X11 230V	TRANSFO IGNIÇÃO EBI 1X11 230V	TRANSFO ZAPŁONOWY EBI 1X11 230V	1
1091	65310925	ТРАНСФО РОЗЖИГА ЕБИ 2X7,5 230V ATEŞLEME TRAFO. EBI 2X7,5 230V	TRANSFO IGNIÇÃO EBI 2X7,5 230V	TRANSFO ZAPŁONOWY EBI 2X7,5 230V	1
1094	65312242	ДЕРЖАТЕЛЬ ФОТОРЕЗИСТОР FFS06/FFS08 DESTEĞİ HÜCRE FFS06/FFS08	SUPORE CELULA FFS06/FFS08	WSPORNIK FOTOKOMÓRKA FFS06/FFS08	1
1095	65312487	ФОТОЭЛЕМЕНТ FFS 08-T (IR) L5000 FOTOSEL FFS 08-T (IR) L5000	FOTOCELULA FFS 08-T (IR) L5000	FOTOKOMÓRKA FFS 08-T (IR) L5000	1
1100	65311472	ЗЕРКАЛО/ГЛАЗОК ДЛЯ КОНТРОЛЯ ПЛАМЕНИ AYNA/GÖZETLEME CAMI	ESPELHO/VIGIA	LUSTRO/WZIERNIK	1
1110	65311595	РЕЛЕ ДАВ. ВОЗДУХА LGW 50 A2P 2,5-50MB HAVA BASINÇ ŞALT. LGW 50 A2P 2,5-50MB	PRESSOSTATO AR LGW 50 A2P 2,5-50MB	CZUJNIK CIŚ. POW. LGW 50 A2P 2,5-50MB	1
1120	65312321	ГАЗОВЫЙ КЛАПАН+СЕРВОДВИГАТЕЛЬ В СБОРЕ GAZ KLAPESI+KOMPLETE SERVO MOTOR	VÁLVULA DE GÁS + ATUADOR COMPLETO	ZAWÓR GAZU+SERWOMOTOR KOMPLETNY	1
1121	65312322	ГАЗОВЫЙ КЛАПАН В СБОРЕ KOMPLETE GAZ KLAPESI	VÁLVULA DE GÁS COMPLETA	ZAWÓR GAZU KOMPLETNY	1
1122	65312323	ГАЗОВЫЙ СЕРВОДВИГАТЕЛЬ STE4.5 B037/6-R KOMPLETE GAZ SERVOMOT. STE4.5 B037/6-R	ATUADOR GÁS COMPL. STE4.5 B037/6-R 0,8NM	SERVOMOT. GAZU EQ.STE4.5 B037/6-R 0,8NM	1
1123	65312458	МУФТА ПРОКЛАДКИ ПРОВ DIM.34X15/12 D.6,2 KABLO KANALI DIM.34X15/12 D.6,2	PASSA-CABOS DIM.34X15/12 D.6,2	PRZELOTKA PRZEWODU DIM.34X15/12 D6,2	1
1150	65311650	СЕРВОДВИГАТЕ. STE4,5 Q3.51/6 3NM R (BT3XX) SERVOMOTOR STE4,5 Q3.51/6 3NM R (BT3XX)	SERVOMOTOR STE4,5 Q3.51/6 3NM R (BT3XX)	SERVOMOTOR STE4,5 Q3.51/6 3NM R (BT3XX)	1
1160	65300980	СЕРВОДВИГАТЕЛЬ STE 4,5 B037/6 R SERVOMOTOR STE 4,5 B037/6 R	ATUADOR STE 4,5 B037/6 R	SERVOMOTOR STE 4,5 B037/6 R	1
1161	65312327	ЧЕХОЛ СЕРВОДВИГАТЕЛЬ SERVOMOTOR KAPAĞI	TAMPA DO ATUADOR	POKRYWA SERWOMOTOR	1
1170	65312555	ЭЛЕКТРОДВИ. 3,0KW 230/400V D28 IE2 ЧЕРН. MOTORU 3,0KW 230/400V D28 IE2 SIYAH	MOTOR 3,0KW 230/400V D28 IE2 PRETO	SILNIK 3,0KW 230/400V D28 IE2 CZARNY	1
	65312556	ЭЛЕКТРОДВИ. 4,0KW 400/690V D28 IE2 ЧЕРН. MOTORU 4,0KW 400/690V D28 IE2 SIYAH	MOTOR 4,0KW 400/690V D28 IE2 PRETO	SILNIK 4,0KW 400/690V D28 IE2 CZARNY	1
	65312558	ЭЛЕКТРОДВИ. 7,5KW 400/690V D38 IE3 ЧЕРН. MOTORU 7,5KW 400/690V D38 IE3 SIYAH	MOTOR 7,5KW 400/690V D38 IE3 PRETO	SILNIK 7,5KW 400/690V D38 IE3 CZARNY	1
1200	65312328	ВОЗДУШНАЯ ЗАСЛОНКА В СБОРЕ DONANIMLI HAVA KLAPESI	CONJUNTO ALETA DE AR	PRZEPUSTNICA POWIETRZA Z OSPRZĘTEM	1
1201	65312331	ПРИВОДНОЙ РЫЧАГ/ВОЗДУШНАЯ ЗАСЛОНКА SÜRÜCÜ KOLU/HAVA KLAPESI	ALAVANCA ACIONAMENTO ALETA DE AR	DŹWIGNIA NAPĘDU/PRZEPUSTNICA POWIE.	1
1202	65312330	СТЕРЖЕНЬ D10X145 M6 ВОЗДУШНАЯ ЗАСЛОНКА BAĞLANTI D10X145 M6 HAVA KLAPESI	BIELA D10X145 M6 FLAP DE AR	POŁĄCZENIE D10X145 M6 PRZEPUSTNICA POWI.	1
1203	65312329	ОСЬ/ВОЗДУШНАЯ ЗАСЛ. D34/25X100 FLAT L55 AKSI / HAVA KLAPESI D34/25X100 FLAT L55	HASTE / FLAP DE AR D34/25X100 FLAT L55	OŚ/PRZEPUSTNICA POW. D34/25X100 FLAT L55	1
1204	65312459	ОСЬ/ВОЗДУШНАЯ ЗАСЛ. D34/25X100 W.POINTER AKSI / HAVA KLAPESI D34/25X100 W.POINTER	HASTE / FLAP DE AR D34/25X100 W.POINTER	OŚ/PRZEPUSTNICA POW.D34/25X100 W.POINTER	1
1510	65312340	ЧЕХОЛ ЭЛЕКТРОННОГО ЩИТА ELEKTRİK MUHAFAZA KAPAĞI	TAMPA DO ARMÁRIO ELÉTRICO	POKRYWA URZĄDZEŃ ELEKTRYCZNYCH	1
1512	65312338	ЗАГЛУШКА/РЕГУЛЯТОР 92X45 IP54 OBTÜRATOER/REGÜLATÖR 92X45 IP54	TAMPA CEGA/CONTROLADOR 92X45 IP54	ZASŁEPKA/REGULATOR 92X45 IP54	1
1520	65326712	ДИСПЛЕЙ БЛОКА УПРАВЛЕНИЯ BT3XX EKRAN KUTU BT3XX	VISOR UNIDADE DE CONTROLE BT3XX	WYŚWIETLACZ MODUŁ BT3XX	1
1525	65311364	ПРОКЛАДКА/DISPLAY 152/140X80/70X2 CONTASI/DISPLAY 152/140X80/70X2	GAXETA/DISPLAY 152/140X80/70X2	USZCZELKA/DISPLAY 152/140X80/70X2	1
1530	65312447	БЛОК УПРАВЛЕНИЯ BT340 ОСН.НАСТР-КИ KUTU BT340 TEMEL AYARI	PROGRAMADOR BT340 CONFIGUR. BÁSICA	MODUŁ BT340 USTAWIENIE PODSTAWOWE	1
1540	65311790	МОДУЛЬ LCM100 (LSB-M 667R0500-1) MODÜLÜ LCM100 (LSB-M 667R0500-1)	MÓDULO LCM100 (LSB-M 667R0500-1)	MODUL LCM100 (LSB-M 667R0500-1)	1

					
1550	65311791	МОДУЛЬ DFM300 (LSB-M 667R0600-1) MODÜLÜ DFM300 (LSB-M 667R0600-1)	MÓDULO DFM300 (LSB-M 667R0600-1)	MODUL DFM300 (LSB-M 667R0600-1)	1
1555	65311789	АДАПТЕР BT300/DFM300 RAST5 ADAPTÖR BT300/DFM300 RAST5	ADAPTADOR BT300/DFM300 RAST5	ADAPTER BT300/DFM300 RAST5	1
1556	65311792	РЕЛЕ FIN 38.61.8.240.0060 KLL-1W FZ RÖLE FIN 38.61.8.240.0060 KLL-1W FZ	RELE FIN 38.61.8.240.0060 KLL-1W FZ	PRZEKAŹN. FIN 38.61.8.240.0060 KLL-1W FZ	1
1580	65311945	РАЗЪЕДИНИТ. ЭЛЕКТРОДВИГА. 0,75KW GV2ME07 DEVRE KESİCİ MOTOR 0,75KW GV2ME07	DISJUNTOR MOTOR 0,75KW GV2ME07	WYŁĄCZNIKI SILNIK 0,75KW GV2ME07	1
	65311946	РАЗЪЕДИНИТ. ЭЛЕКТРОДВИГА. 1,1-1,5KW GV2 DEVRE KESİCİ MOTOR 1,1-1,5KW GV2ME08	DISJUNTOR MOTOR 1,1-1,5KW GV2ME08	WYŁĄCZNIKI SILNIK 1,1-1,5KW GV2ME08	1
1581	65311776	РАЗЪЕДИНИТ. ЭЛЕКТРОДВИГА. 7,5 kW GV2ME20 DEVRE KESİCİ MOTOR 7,5 kW GV2ME20	DISJUNTOR MOTOR 7,5 kW GV2ME20	WYŁĄCZNIKI SILNIK 7,5 kW GV2ME20	1
	65311794	РАЗЪЕДИНИТ. ЭЛЕКТРОДВИГА. 3-4KW GV2ME14 DEVRE KESİCİ MOTOR 3-4KW GV2ME14	DISJUNTOR MOTOR 3-4KW GV2ME14	WYŁĄCZNIKI SILNIK 3-4KW GV2ME14	1
1585	65311795	ВСПОМОГАТЕЛЬНЫЙ ПЕРЕКЛЮЧАТЕЛЬ GVAE11 YARDIMCI ANAHTARI GVAE11	INTERRUPTOR AUXILIAR GVAE11	PRZEŁĄCZNIK POMOCNICZY GVAE11	1
1595	65311793	ВЫКЛЮЧ. ЭЛЕКТРОДВ. SCH D 3-4kW LC1D09P7 KONTAKTOER MOTOR SCH D 3-4kW LC1D09P7	CONTATOR MOTOR SCH D 3-4kW LC1D09P7	STYCZNIK SILNIK SCH D 3-4kW LC1D09P7	1
1596	65311793	ВЫКЛЮЧ. ЭЛЕКТРОДВ. SCH D 3-4kW LC1D09P7 KONTAKTOER MOTOR SCH D 3-4kW LC1D09P7	CONTATOR MOTOR SCH D 3-4kW LC1D09P7	STYCZNIK SILNIK SCH D 3-4kW LC1D09P7	1
	65311947	ВЫКЛЮЧ. ЭЛЕКТРОДВ. SCH D3-7,5KW LC1D18P7 KONTAKTOER MOT. SCH D 3-7,5KW LC1D18P7	CONTATOR MOTOR SCH D 3-7,5KW LC1D18P7	STYCZNIK SILNIK SCH D 3-7,5KW LC1D18P7	1
1600	65312334	СИГНАЛЬНАЯ ЛАМПА ЭЛЕКТРОННОГО ЩИТА İKAZ İŞİĞİ ELEKTRİK MUHAFAZA	LUZ INDICADORA DO ARMÁRIO ELÉTRICO	LAMPKA KONTROLNA URZĄDZEŃ ELEKTRY.	1
1601	65313828	ПЕРЕКЛЮЧАТЕЛЬ 3 ПОЗ. МОМЕНТ. СНИМОК ANAHTARI ÜÇ POZİSYONLU ANINDA	INTERRUPTOR MOMENTÂNEO 3 POS.	PRZEŁĄCZNIK 3 POZ. MIGAWKA	1
1604	65312335	ПЕРЕКЛЮЧАТЕЛЬ 2 ПОЗ. ANAHTARI İKİ POZİSYONLU	INTERRUPTOR 2 POS.	PRZEŁĄCZNIK 2 POZ.	1
1610	65311451	САЛБНИК M16 KABLO RAKORU M16	PRENSAESTOPAS M16	DŁAWNICA M16	1
1611	65311758	САЛБНИК M20 KABLO RAKORU M20	PRENSAESTOPAS M20	DŁAWNICA M20	1
1612	65312852	САЛБНИК CLICK M25 KABLO RAKORU CLICK M25	PRENSAESTOPAS CLICK M25	DŁAWNICA CLICK M25	1
1696	65312275	КОНСОЛЬ LAM F152 659G0501 KONSOL LAM F152 659G0501	CONSOLE LAM F152 659G0501	KONSOLA LAM F152 659G0501	1
1699	65312244	КАБЕЛЬ CONNECT. BT300/LCM100 667P0515 KABLOSU CONNECT. BT300/LCM100 667P0515	CABO CONNECT. BT300/LCM100 667P0515	PRZEWÓD CONNECT. BT300/LCM100 667P0515	1
1700	65311446	ИНСТРУМЕНТЫ WAG 2009-309 İŞLETİM ARAC WAG 2009-309	FERRAMENTA WAG 2009-309	NARZĘD. D.PRZEŁĄCZANIA WAG 2009-309	1
2020	65312955	СОПЛО ГОРЕЛКИ D262.5/227/180 L450 F3 BRÜLÖR BORUSU D262.5/227/180 L450 F3	TUBO D.QUEIMADOR D262.5/227/180 L450 F3	RURA PALNIKA D262.5/227/180 L450 F3	1
	65312956	СОПЛО ГОРЕЛКИ D262.5/220/171 L450 F3 BRÜLÖR BORUSU D262.5/220/171 L450 F3	TUBO D.QUEIMADOR D262.5/220/171 L450 F3	RURA PALNIKA D262.5/220/171 L450 F3	1
	65312957	СОПЛО ГОРЕЛКИ D323.5/240/191 L470 F3 BRÜLÖR BORUSU D323.5/240/191 L470 F3	TUBO D.QUEIMADOR D323.5/240/191 L470 F3	RURA PALNIKA D323.5/240/191 L470 F3	1
	65312958	СОПЛО ГОРЕЛКИ D323.5/268/215 L470 F3 BRÜLÖR BORUSU D323.5/268/215 L470 F3	TUBO D.QUEIMADOR D323.5/268/215 L470 F3	RURA PALNIKA D323.5/268/215 L470 F3	1
	65312959	СОПЛО ГОРЕЛКИ D262.5/227/180 L570 F3 BRÜLÖR BORUSU D262.5/227/180 L570 F3	TUBO D.QUEIMADOR D262.5/227/180 L570 F3	RURA PALNIKA D262.5/227/180 L570 F3	1
	65312960	СОПЛО ГОРЕЛКИ D262.5/220/171 L570 F3 BRÜLÖR BORUSU D262.5/220/171 L570 F3	TUBO D.QUEIMADOR D262.5/220/171 L570 F3	RURA PALNIKA D262.5/220/171 L570 F3	1
	65312961	СОПЛО ГОРЕЛКИ D323.5/240/191 L600 F3 BRÜLÖR BORUSU D323.5/240/191 L600 F3	TUBO D.QUEIMADOR D323.5/240/191 L600 F3	RURA PALNIKA D323.5/240/191 L600 F3	1
	65312962	СОПЛО ГОРЕЛКИ D323.5/268/215 L600 F3 BRÜLÖR BORUSU D323.5/268/215 L600 F3	TUBO D.QUEIMADOR D323.5/268/215 L600 F3	RURA PALNIKA D323.5/268/215 L600 F3	1
	65312963	СОПЛО ГОРЕЛКИ D262.5/227/180 L690 F3 BRÜLÖR BORUSU D262.5/227/180 L690 F3	TUBO D.QUEIMADOR D262.5/227/180 L690 F3	RURA PALNIKA D262.5/227/180 L690 F3	1
	65312964	СОПЛО ГОРЕЛКИ D262.5/220/171 L690 F3 BRÜLÖR BORUSU D262.5/220/171 L690 F3	TUBO D.QUEIMADOR D262.5/220/171 L690 F3	RURA PALNIKA D262.5/220/171 L690 F3	1
	65312965	СОПЛО ГОРЕЛКИ D323.5/240/191 L730 F3 BRÜLÖR BORUSU D323.5/240/191 L730 F3	TUBO D.QUEIMADOR D323.5/240/191 L730 F3	RURA PALNIKA D323.5/240/191 L600 F3	1
	65312966	СОПЛО ГОРЕЛКИ D323.5/268/215 L730 F3 BRÜLÖR BORUSU D323.5/268/215 L730 F3	TUBO D.QUEIMADOR D323.5/268/215 L730 F3	RURA PALNIKA D323.5/268/215 L730 F3	1
2110	65311455	ЗАВИХРИТЕЛЬ D190/170/84X235 10SL DOENER GOEVDE D190/170/84X235 10SL	TURBILHONADOR D190/170/84X235 10SL	ZAWIROWYWACZ D190/170/84X235 10SL	1
	65311464	ЗАВИХРИТЕЛЬ D210/190/101X300 10SL DOENER GOEVDE D210/190/101X300 10SL	TURBILHONADOR D210/190/101X300 10SL	ZAWIROWYWACZ D210/190/101X300 10SL	1
	65311543	ЗАВИХРИТЕЛЬ D240/214/101X325 10SL DOENER GOEVDE D240/214/101X325 10SL	TURBILHONADOR D240/214/101X325 10SL	ZAWIROWYWACZ D240/214/101X325 10SL	1
	65311804	ЗАВИХРИТЕЛЬ D160/130/81X185 10SL DOENER GOEVDE D160/130/81X185 10SL	TURBILHONADOR D160/130/81X185 10SL	ZAWIROWYWACZ D160/130/81X185 10SL	1

		RU TR	PT	PL	X
2120	1450621478	ФОРСУНКА DZ1000 450KG 60° M14 1-5 PÜSK. MEMESI DZ1000 450KG 60° M14 1-5	BOQUILLA DZ1000 450KG 60° M14 1-5	DYSZA DZ1000 450KG 60° M14 1-5	1
	65311376	ФОРСУНКА DZ1000 375KG 60° M14 1-5 PÜSK. MEMESI DZ1000 375KG 60° M14 1-5	BOQUILLA DZ1000 375KG 60° M14 1-5	DYSZA DZ1000 375KG 60° M14 1-5	1
	65312444	ФОРСУНКА FLU 160KG 45° W1 PÜSK. MEMESI FLU 160KG 45° W1	BOQUILLA FLU 160KG 45° W1	DYSZA FLU 160KG 45° W1	1
	65312814	ФОРСУНКА FLU 250KG 50° W1 PÜSK. MEMESI FLU 250KG 50° W1	BOQUILLA FLU 250KG 50° W1	DYSZA FLU 250KG 50° W1	1
2130	65311456	ГАЗОВЫЕ ДИФФУЗОРЫ D18/16X70 135° GAZ DIFÜZÖRLER D18/16X70 135°	DIFUSOR GAS D18/16X70 135°	DYSZ GAZU D18/16X70 135°	1
	65311465	ГАЗОВЫЕ ДИФФУЗОРЫ D25/17X82 140° GAZ DIFÜZÖRLER D25/17X82 140°	DIFUSOR GAS D25/17X82 140°	DYSZ GAZU D25/17X82 140°	1
	65311467	ГАЗОВЫЕ ДИФФУЗОРЫ D25/20X95 135° GAZ DIFÜZÖRLER D25/20X95 135°	DIFUSOR GAS D25/20X95 135°	DYSZ GAZU D25/20X95 135°	1
	65311805	ГАЗОВЫЕ ДИФФУЗОРЫ D18/13X57 135° GAZ DIFÜZÖRLER D18/13X57 135°	DIFUSOR GAS D18/13X57 135°	DYSZ GAZU D18/13X57 135°	1
2140	65311466	СТАБИЛИЗАТОР ГАЗОВЫЕ ДИФФУЗОРЫ D20/16 DENGELEYİCİ GAZ DIFÜZOERÜ D20/16	ESTABILIZADOR BOCAL DE GAS D20/16	STABILIZATOR DYSZA GAZU D20/16	1
	65311468	СТАБИЛИЗАТОР ГАЗОВЫЕ ДИФФУЗОРЫ D20/17 DENGELEYİCİ GAZ DIFÜZOERÜ D20/17	ESTABILIZADOR BOCAL DE GAS D20/17	STABILIZATOR DYSZA GAZU D20/17	1
	65311470	СТАБИЛИЗАТОР ГАЗОВЫЕ ДИФФУЗОРЫ D18/15 DENGELEYİCİ GAZ DIFÜZOERÜ D18/15	ESTABILIZADOR BOCAL DE GAS D18/15	STABILIZATOR DYSZA GAZU D18/15	1
	65311806	СТАБИЛИЗ. ГАЗОВЫЕ ДИФФУ. D18/15 - D15/12 DENGELEYİ. GAZ DIFÜZOERÜ D18/15 - D15/12	ESTABILIZADOR BOCAL GAS D18/15 - D15/12	STABILIZATOR DYSZA GAZU D18/15 - D15/12	1
2190	65311874	ЭЛЕКТРОД ЗАЖИГА. D9X50 D3X91 130° L150 D4 ATEŞLEYİCİ ELEKT. D9X50 D3X91 130° L150D4	ELETRODO ENCEND. D9X50 D3X91 130° L150 D4	ELEKTRODA ALU. D9X50 D3X91 130° L150 D4	1
	65311910	ЭЛЕКТРОД ЗАЖИГА. D9X50 D3X50 130° L150 D4 ATEŞLEYİCİ ELEKT. D9X50 D3X50 130° L150D4	ELETRODO ENCEND. D9X50 D3X50 130° L150 D4	ELEKTRODA ALU. D9X50 D3X50 130° L150 D4	1
	65311911	ЭЛЕКТРОД ЗАЖИГА. D9X50 D3X67 130° L150 D4 ATEŞLEYİCİ ELEKT. D9X50 D3X67 130° L150D4	ELETRODO ENCEND. D9X50 D3X67 130° L150 D4	ELEKTRODA ALU. D9X50 D3X67 130° L150 D4	1
2200	65312214	КАБЕЛЬ РОЗЖИГА L250 AP ATEŞLEME KABLOSU L250 AP	CABO ENCENDIDO L250 AP	PRZEWÓD ALU. L250 AP	1
2201	65310724	КАБЕЛЬ РОЗЖИГА D4/SAT 72750 ATEŞLEME KABLOSU D4/SAT 72750	CABO ENCENDIDO D4/SAT 72750	PRZEWÓD ALU. D4/SAT 72750	1
2230	65311875	ЭЛЕКТРОД ЗАЖИГА. D9X50 D3X35 90+60° L150D4 ATEŞLEYİCİ ELEKT. D9X50 D3X35 90+60° L150D4	ELETRODO ENCEND. D9X50 D3X35 90+60° L150D4	ELEKTRODA ALU. D9X50 D3X35 90+60° L150D4	1
2240	65311354	РАСПРЕДЕЛИТЕЛЬ ВОЗД./ЗАВИХРИТЕЛЬ D85/144 HAVA DISTRİBÜTÖRÜ/DOENER GOEVDE D85/144	GERADOR TURBULÊNCIA D85/144	ROZDZIELACZ POWIETRZA/ZAWIROWY. D85/144	1
	65311457	РАСПРЕДЕЛИТЕЛЬ ВОЗД./ЗАВИХРИТЕЛЬ D85/126 HAVA DISTRİBÜTÖRÜ/DOENER GOEVDE D85/126	GERADOR TURBULÊNCIA D85/126	ROZDZIELACZ POWIETRZA/ZAWIROWY. D85/126	1
2250	65311496	O-RING 199D117,48X5,33 NBR O-RING 199D117,48X5,33 NBR	O-RING 199D117,48X5,33 NBR	O-RING 199D117,48X5,33 NBR	1
	65311807	O-RING 217D142,88X5,33 NBR O-RING 217D142,88X5,33 NBR	O-RING 217D142,88X5,33 NBR	O-RING 217D142,88X5,33 NBR	1
2260	65311491	O-RING 6387D97,79X5,33 NBR O-RING 6387D97,79X5,33 NBR	O-RING 6387D97,79X5,33 NBR	O-RING 6387D97,79X5,33 NBR	1
2300	65311492	ПЛАСТИНА КРЕПЕЖНАЯ ПЛАСТИНА ГАЗОВОГО ДИФ ADAPTÖR PLAKASI/GAZ DIFÜZOERÜ	PLACA ADAPTADORA/DIFUSOR DE GÁS	PŁYTA ADAPTERA/DYSZY GAZU	1
	65311510	ПЛАСТИНА КРЕПЕЖНАЯ ПЛАСТИНА ГАЗОВОГО ДИФ ADAPTÖR PLAKASI/GAZ DIFÜZOERÜ	PLACA ADAPTADORA/DIFUSOR DE GÁS	PŁYTA ADAPTERA/DYSZY GAZU	1
2350	65311808	РЕГУЛИРУ. СТЕРЖЕНЬ СКОЛЬЗЯЩАЯ ГОЛОВКА KN AYAR ÇUBUĞU SÜRGÜLÜ BAŞ KN	VARETA DE AJUSTE DESLIZAMENTO CABEÇA KN	PRĘT STERUJĄCY GŁOWICA PRZESUWNYCH KN	1
	65311809	РЕГУЛИРУ. СТЕРЖЕНЬ СКОЛЬЗЯЩАЯ ГОЛОВКА KM AYAR ÇUBUĞU SÜRGÜLÜ BAŞ KM	VARETA DE AJUSTE DESLIZAMENTO CABEÇA KM	PRĘT STERUJĄCY GŁOWICA PRZESUWNYCH KM	1
	65311810	РЕГУЛИРУ. СТЕРЖЕНЬ СКОЛЬЗЯЩАЯ ГОЛОВКА KL AYAR ÇUBUĞU SÜRGÜLÜ BAŞ KL	VARETA DE AJUSTE DESLIZAMENTO CABEÇA KL	PRĘT STERUJĄCY GŁOWICA PRZESUWNYCH KL	1
	65313835	РЕГУЛИРУ. СТЕРЖЕНЬ СКОЛЬЗЯЩАЯ ГОЛОВКА KN AYAR ÇUBUĞU SÜRGÜLÜ BAŞ KN	VARETA DE AJUSTE DESLIZAMENTO CABEÇA KN	PRĘT STERUJĄCY GŁOWICA PRZESUWNYCH KN	1
	65313837	РЕГУЛИРУ. СТЕРЖЕНЬ СКОЛЬЗЯЩАЯ ГОЛОВКА KM AYAR ÇUBUĞU SÜRGÜLÜ BAŞ KM	VARETA DE AJUSTE DESLIZAMENTO CABEÇA KM	PRĘT STERUJĄCY GŁOWICA PRZESUWNYCH KM	1
	65313838	РЕГУЛИРУ. СТЕРЖЕНЬ СКОЛЬЗЯЩАЯ ГОЛОВКА KL AYAR ÇUBUĞU SÜRGÜLÜ BAŞ KL	VARETA DE AJUSTE DESLIZAMENTO CABEÇA KL	PRĘT STERUJĄCY GŁOWICA PRZESUWNYCH KL	1
2360	65311811	КОЛЬЦО HALKA	ANEL	PIERŚCIEŃ	1
	65311812	КОЛЬЦО HALKA	ANEL	PIERŚCIEŃ	1
2370	65311813	РУКОВОДСТВО УСТАНОВКИ AYAR KILAVUZU	GUIA DE CONFIGURAÇÃO	PODRĘCZNIK USTAWIENIE	1
2380	65310280	ЛИНИЯ ФОРСУНКИ RDG1250 L860 PÜSKÜRTME MEMESI HATTI RDG1250 L860	LÍNEA DE BOQUILLA RDG1250 L860	UKŁAD DYSZY RDG1250 L860	1
	65311815	ЛИНИЯ ФОРСУНКИ 1D 7/8Z L900 PÜSKÜRTME MEMESI HATTI 1D 7/8Z L900	LÍNEA DE BOQUILLA 1D 7/8Z L900	UKŁAD DYSZY 1D 7/8Z L900	1

						
		<b>RU</b> <b>TR</b>	<b>PT</b>	<b>PL</b>		
	65311816	ЛИНИЯ ФОРСУНКИ 1D 7/8Z L1000 PÜSKÜRTME MEMESİ HATTI 1D 7/8Z L1000	LÍNEA DE BOQUILLA 1D 7/8Z L1000	UKŁAD DYSZY 1D 7/8Z L1000		1
	65311817	ЛИНИЯ ФОРСУНКИ RDG1250 L760 PÜSKÜRTME MEMESİ HATTI RDG1250 L760	LÍNEA DE BOQUILLA RDG1250 L760	UKŁAD DYSZY RDG1250 L760		1
	65311818	ЛИНИЯ ФОРСУНКИ RDG1250 L960 PÜSKÜRTME MEMESİ HATTI RDG1250 L960	LÍNEA DE BOQUILLA RDG1250 L960	UKŁAD DYSZY RDG1250 L960		1
	65311868	ЛИНИЯ ФОРСУНКИ 1D 7/8Z L748 PÜSKÜRTME MEMESİ HATTI 1D 7/8Z L748	LÍNEA DE BOQUILLA 1D 7/8Z L748	UKŁAD DYSZY 1D 7/8Z L748		1
2385	65311982	СВЯЗЬ CS10X110 BAĞLANTI CS10X110	LIGAÇÃO CS10X110	SPRZĘGU CS10X110		1
2390	65311819	ПРОКЛАДОЧНОЕ КОЛЬЦО SW 13X30 M6 PASPAYI SW 13X30 M6	ESPAÇADOR SW 13X30 M6	ROZPÓRKA SW 13X30 M6		1
	65311983	ПРОКЛАДОЧНОЕ КОЛЬЦО SW 13X50 M6 PASPAYI SW 13X50 M6	ESPAÇADOR SW 13X50 M6	ROZPÓRKA SW 13X50 M6		1
2400	65313836	РЫЧАЖНОЙ ПЕРЕДАЧИ L128 İLETİM KOLU L128	ALAVANCA DE TRANSMISSÃO L128	DŹWIGNIĄ PRZENOSZENIA L128		1
2450	65311833	СЕРВОДВИГАТЕЛЬ STM 40 Q15.51/8 2NR SERVOMOTOR STM 40 Q15.51/8 2NR	SERVOMOTOR STM 40 Q15.51/8 2NR	SERWOMOTOR STM 40 Q15.51/8 2NR		1
2490	65311873	ШЛАНГ НЕРЖАВЕЮЩИЙ.F.EL,S 30BAR L400 ESNEK EDELST.F.EL,S 30BAR L400	FLEXIVEL INOXIDAVEL .F.EL,S 30BAR L400	PRZEWÓD GIĘTKI NIERDZE.F.EL,S 30BAR L400		1
2491	65311878	ШЛАНГ НЕРЖАВЕЮЩИЙ.F.EL,S 30BAR L600 ESNEK EDELST.F.EL,S 30BAR L600	FLEXIVEL INOXIDAVEL .F.EL,S 30BAR L600	PRZEWÓD GIĘTKI NIERDZE.F.EL,S 30BAR L600		1
2510	65311564	ЭЛЕКТРОДВИГАТЕЛЬ 0,75KW 230/400V GMP MOTORU 0,75KW 230/400V GMP	MOTOR 0,75KW 230/400V GMP	SILNIK 0,75KW 230/400V GMP		1
	65311829	ЭЛЕКТРОДВИГАТЕЛЬ 1,1KW230/400V GMP MOTORU 1,1KW230/400V GMP	MOTOR 1,1KW230/400V GMP	SILNIK 1,1KW230/400V GMP		1
	65325517	ЭЛЕКТРОДВИГАТЕЛЬ 1,5KW230/400V IE2 GMP MOTORU 1,5KW230/400V IE2 GMP IP55	MOTOR 1,5KW230/400V IE2 GMP IP55	SILNIK 1,5KW230/400V IE2 GMP IP55		1
2520	65312206	РЕЛЕ ДАВ. ВОЗДУХА DSB 158 F931 3-25BAR YAKIT BASINÇ ŞALT. DSB 158 F931 3-25BAR	PRESSOSTATO FUEL DSB 158 F931 3-25BAR	CZUJNIK CIŚ.OLEJU OP.DSB158 F931 3-25BAR		1
2525	65311615	РАЗЪЕМ GDMW 30-11 DF PRIZ GDMW 30-11 DF	TOMADA GDMW 30-11 DF	GNIAZDO GDMW 30-11 DF		1
2526	65311616	ПРОКЛАДКА GDM 3-21 CONTASI GDM 3-21	GAXETA GDM 3-21	USZCZELKA GDM 3-21		1
2550	65311650	СЕРВОДВИГАТЕ. STE4,5 Q3.51/6 3NM R (BT3XX) SERVOMOTOR STE4,5 Q3.51/6 3NM R (BT3XX)	SERVOMOTOR STE4,5 Q3.51/6 3NM R (BT3XX)	SERWOMOTOR STE4,5 Q3.51/6 3NM R (BT3XX)		1
2555	65311831	ПРОКЛАДОЧНОЕ КОЛЬЦО M6/M8X42 SW15 PASPAYI M6/M8X42 SW15	ESPAÇADOR M6/M8X42 SW15	ROZPÓRKA M6/M8X42 SW15		1
2560	65313523	Т-ШТУЦЕР P-TV 10 L T-RAKOR P-TV 10 L	UNIÃO EM T P-TV 10 L	T-ZŁĄCZE P-TV 10 L		1
2561	65312937	Т-ШТУЦЕР P-ELVD 10 L T-RAKOR P-ELVD 10 L	UNIÃO EM T P-ELVD 10 L	T-ZŁĄCZE P-ELVD 10 L		1
2562	65312938	Т-ШТУЦЕР P-TV18/18/10L T-RAKOR P-TV18/18/10L	UNIÃO EM T P-TV18/18/10L	T-ZŁĄCZE P-TV18/18/10L		1
2570	65312935	СЦЕПЛЕНИЕ D10/D8X38-90 KAPLIN D10/D8X38-90	ACOPLAMENTO D10/D8X38-90	ŁĄCZNIK D10/D8X38-90		1
2580	65311412	ПЛАСТИНА СЕРВОДВИГАТЕЛЬ STE SERVOMOTOR STE PLAKA	PRATO DO SERVOMOTOR STE	PŁYTA SERWOMOTOR STE		1
2600	65312934	МОНТ.ВОЖДЕ.ГИДРАВ.БЛОК N6/7&EKEVO6/7E BT HIDROL.ÜNİT.DÜZE.SÜRME N6/7&EKEVO6/7E BT	MONT.CONDUÇ.UNID.HIDR. N6/7&EKEVO6/7E BT	MONT.SZKOL.AGREG.HYDR. N6/7&EKEVO6/7E BT		1
2610	65311578	Т-ШТУЦЕР R3/4Z (ФИЛЬТР) OVE T-RAKOR R3/4Z (FILTRE) OVE	UNIÃO EM T R3/4Z (FILTRO) OVE	T-ZŁĄCZE R3/4Z (FILTR) OVE		1
2700	65311577	НАСОС ТА 3С 40107 POMPA TA 3C 40107	BOMBA TA 3C 40107	POMPA TA 3C 40107		1
	65311834	НАСОС ТА 4С 4010 7 POMPA TA 4C 4010 7	BOMBA TA 4C 4010 7	POMPA TA 4C 4010 7		1
	65311835	НАСОС ТА 5С 30107 POMPA TA 5C 30107	BOMBA TA 5C 30107	POMPA TA 5C 30107		1
2705	13022666	ЭЛЕКТРОКЛАПАН LUC 321F2523 P8 PG11 19W ELECTROVANA LUC 321F2523 P8 PG11 19W	ELECTROVALVULA LUC 321F2523 P8 PG11 19W	ELEKTROZAWOR LUC 321F2523 P8 PG11 19W		1
2710	13022667	ЭЛЕКТРОКЛАПАН LUC 121F2523 P8 PG11 19W ELECTROVANA LUC 121F2523 P8 PG11 19W	ELECTROVALVULA LUC 121F2523 P8 PG11 19W	ELEKTROZAWOR LUC 121F2523 P8 PG11 19W		1
2750	13019342	ШЛАНГ M30X1,5 DN20 L=1500 ESNEK M30X1,5 DN20 L=1500	FLEXIVEL M30X1,5 DN20 L=1500	PRZEWÓD GIĘTKI M30X1,5 DN20 L=1500		1
2800	65312299	РЕГУЛЯТОРА ДЕРЕВО 2.5 (CCW) AĞAÇ DÜZENLEMESİ 2.5 (CCW)	VEIO DE REGULAÇÃO 2.5 (CCW)	DRZEWO REGULACJA 2.5 (CCW)		1
	65312300	РЕГУЛЯТОРА ДЕРЕВО 3.0 (CCW) AĞAÇ DÜZENLEMESİ 3.0 (CCW)	VEIO DE REGULAÇÃO 3.0 (CCW)	DRZEWO REGULACJA 3.0 (CCW)		1
	65312302	РЕГУЛЯТОРА ДЕРЕВО 5.0 (CCW) AĞAÇ DÜZENLEMESİ 5.0 (CCW)	VEIO DE REGULAÇÃO 5.0 (CCW)	DRZEWO REGULACJA 5.0 (CCW)		1
	65312303	РЕГУЛЯТОРА ДЕРЕВО 6.0 (CCW) AĞAÇ DÜZENLEMESİ 6.0 (CCW)	VEIO DE REGULAÇÃO 6.0 (CCW)	DRZEWO REGULACJA 6.0 (CCW)		1

		<table border="1"><tr><td><b>RU</b></td></tr><tr><td><b>TR</b></td></tr></table>	<b>RU</b>	<b>TR</b>	<table border="1"><tr><td><b>PT</b></td></tr><tr><td></td></tr></table>	<b>PT</b>		<table border="1"><tr><td><b>PL</b></td></tr><tr><td></td></tr></table>	<b>PL</b>		
<b>RU</b>											
<b>TR</b>											
<b>PT</b>											
<b>PL</b>											
3005	65321049	ПРОКЛАДКА/GASTRAIN D125/90X3 CONTASI/GASTRAIN D125/90X3	GAXETA/GASTRAIN D125/90X3	USZCZELKA/GASTRAIN D125/90X3	1						
3010	65311488	КОЛЛЕКТОР DN65-R2Z 2G1/4 PN16 MANIFOLD DN65-R2Z 2G1/4 PN16	COLETOR DN65-R2Z 2G1/4 PN16	KOLEKTOR DN65-R2Z 2G1/4 PN16	1						
	65311503	КОЛЛЕКТОР DN65-R1 1/2Z 2G1/4 PN16 MANIFOLD DN65-R1 1/2Z 2G1/4 PN16	COLETOR DN65-R1 1/2Z 2G1/4 PN16	KOLEKTOR DN65-R1 1/2Z 2G1/4 PN16	1						
3020	65311606	ПРЯМОЙ ШТУЦЕР P-GEV 8LR-WD-VI SAĞ RAKOR P-GEV 8LR-WD-VI	UNIÃO DIREITA P-GEV 8LR-WD-VI	ZŁĄCZE PRAWO P-GEV 8LR-WD-VI	1						
3030	65311604	УГЛОВОЙ ШТУЦЕР P-EWV 8-L DIRSEKLI RAKOR P-EWV 8-L	UNIÃO COTOVELO P-EWV 8-L	ZŁĄCZKA TYPU KOLANKO P-EWV 8-L	1						
3040	65311579	ШТУЦЕР ОТБОРА ДАВЛЕНИЯ R1/4Z+УПЛОТ. BASINÇ GIRIŞI R1/4Z+CONTA	TOMADA DE PRESSÃO R1/4Z+JUNTA	GNIAZ. POMIARU CIŚNIEN. R1/4Z+USZCZEL	1						
3060	65311580	ГАЗОВЫЙ КЛАПАН VGD20 4011 RP1"1/2 GAZ VANASI VGD20 4011 RP1"1/2	VALVULA GAS VGD20 4011 RP1"1/2	ZAWÓR GAZOWY VGD20 4011 RP1"1/2	1						
	65311581	ГАЗОВЫЙ КЛАПАН VGD20 5011 RP2" GAZ VANASI VGD20 5011 RP2"	VALVULA GAS VGD20 5011 RP2"	ZAWÓR GAZOWY VGD20 5011 RP2"	1						
3070	65107100	СЕРВОДВИГАТЕЛЬ SKP25.003 E2 БЕЗ КОНЦЕВЫ SERVOMOTOR SKP 25.003 E2 LIMIT ANAHTAR	SERVOMOT. GÁS SKP25.003 E2 SEM FIM CURSO	SERWOSILNIK SKP25.003E2 BEZ WYŁĄCZNIKI	1						
3080	65311585	КАБЕЛЬ CONNECT AGA 62 PLUG DIN L270 KABLOSU CONNECT AGA 62 PLUG DIN L270	CABO CONNECT AGA 62 TOMADA DIN L270	PRZEWÓD CONNECT AGA 62 PLUG DIN L270	1						
3090	1478836180	СЕРВОДВИГАТЕЛЬ SKP15.000E2 БЕЗ КОНЦЕВЫ SERVOMOTOR SKP15.000E2 LIMIT ANAHTAR	SERVOMOTOR GAS SKP15.000E2 SEM FIM CURSA	SERWOSILNIK SKP15.000E2 BEZ WYŁĄCZNIKI	1						
3110	65311377	ФЛАНЕЦ AGF10.50 RP2 FLANŞI AGF10.50 RP2	FLANGE AGF10.50 RP2	KOŁNIERZ AGF10.50 RP2	1						
	65313107	ФЛАНЕЦ AGF10 RP1 1/2 FLANŞI AGF10 RP1 1/2	FLANGE AGF10 RP1 1/2	KOŁNIERZ AGF10 RP1 1/2	1						
3120	13010091	РЕЛЕ ДАВ. ВОЗДУХА GW 500 A5 100-500MB GAZ BASINÇ ŞALT. GW 500 A5 100-500MB	PRESSOSTATO GAS GW 500 A5 100-500MB	CZUJNIK CIŚ. GAZU GW 500 A5 100-500MB	1						
	65311597	РЕЛЕ ДАВ. ГАЗА GW 150 A6 10-150MB DIN GAZ BASINÇ ŞALT. GW 150 A6 10-150MB DIN	PRESSOSTATO GÁS GW 150 A6 10-150MB DIN	CZUJNIK CIŚ. GAZU GW 150 A6 10-150MB DIN	1						
3130	65311586	ГНЕЗДОВОЙ РАЗЪЕМ AGA64 DİŞİ PRIZ AGA64	TOMADA FÊMEA AGA64	GNIAZDO AGA64	1						
3140	65311615	РАЗЪЕМ GDMW 30-11 DF PRIZ GDMW 30-11 DF	TOMADA GDMW 30-11 DF	GNIAZDO GDMW 30-11 DF	1						
3300	65311458	ГАЗОВ. ФИЛЬТР GF80M-1212-A-1 RP1 1/2 1BAR GAZ FILTR. GF80M-1212-A-1 RP1 1/2 1BAR	FILTRO GÁS GF80M-1212-A-1 RP1 1/2 1BAR	FILTR GAZU GF80M-1212-A-1 RP1 1/2 1BAR	1						
	65311459	ГАЗОВЫЙ ФИЛЬТР GF80M-1616-A-1 RP2 1BAR GAZ FILTR. GF80M-1616-A-1 RP2 1BAR	FILTRO GÁS GF80M-1616-A-1 RP2 1BAR	FILTR GAZU GF80M-1616-A-1 RP2 1BAR	1						
	65311460	ГАЗОВЫЙ ФИЛЬТР GF65MF-2020-A-1 DN65 1BAR GAZ FILTR. GF65MF-2020-A-1 DN65 1BAR	FILTRO GÁS GF65MF-2020-A-1 DN65 1BAR	FILTR GAZU GF65MF-2020-A-1 DN65 1BAR	1						
	65311461	ГАЗОВЫЙ ФИЛЬТР GF80MF-2424-A-1 DN80 1BAR GAZ FILTR. GF80MF-2424-A-1 DN80 1BAR	FILTRO GÁS GF80MF-2424-A-1 DN80 1BAR	FILTR GAZU GF80MF-2424-A-1 DN80 1BAR	1						
3301	65311361	ФИЛЬТРУЮЩИЙ ЭЛЕМЕНТ GF 80M FILTRE ELEMANI GF 80M	ELEMENTO FILTRANTE GF 80M	WKŁAD FILTRA GF 80M	1						
	65311723	ФИЛЬТРУЮЩИЙ ЭЛЕМЕНТ GF65MF FILTRE ELEMANI GF65MF	ELEMENTO FILTRANTE GF65MF	WKŁAD FILTRA GF65MF	1						
	65311888	ФИЛЬТРУЮЩИЙ ЭЛЕМЕНТ GF80MF FILTRE ELEMANI GF80MF	ELEMENTO FILTRANTE GF80MF	WKŁAD FILTRA GF80MF	1						
3505	65321049	ПРОКЛАДКА/GASTRAIN D125/90X3 CONTASI/GASTRAIN D125/90X3	GAXETA/GASTRAIN D125/90X3	USZCZELKA/GASTRAIN D125/90X3	1						
3510	65311836	КОЛЛЕКТОР DN65-R1 1/2Z PN16 MANIFOLD DN65-R1 1/2Z PN16	COLETOR DN65-R1 1/2Z PN16	KOLEKTOR DN65-R1 1/2Z PN16	1						
	65311837	КОЛЛЕКТОР DN65-R2Z PN16 MANIFOLD DN65-R2Z PN16	COLETOR DN65-R2Z PN16	KOLEKTOR DN65-R2Z PN16	1						
3580	65311838	ГАЗОВЫЙ КЛ. MBC300SES82 5-80MBAR GAZ VANA. MBC300 SE S82 5-80MB	VÁLVULA GÁS MBC300 SE S82 5-80MB	ZAWÓR GAZ. MBC300SES82 5-80MB	1						
	65311839	ГАЗОВЫЙ КЛАПАН MBC700SES82RP1"1/4 5-80MB GAZ VANA. MBC700SES82 RP1"1/4 5-80MB	VÁLVULA GÁS MBC700SE S82 RP1"1/4 5-80MB	ZAWÓR GAZ. MBC700SES82RP1"1/4 5-80MB	1						
	65311840	ГАЗОВЫЙ КЛАПАН MBC1200SES82RP2" 5-80MB GAZ VANA. MBC1200 SE S82 RP2" 5-80MB	VÁLVULA GÁS MBC1200 SE S82 RP2" 5-80MBA	ZAWÓR GAZ. MBC1200SES82 RP2" 5-80MB	1						
3620	65311841	ФЛАНЕЦ MBC300 RP1 1/2 FLANŞI MBC300 RP1 1/2	FLANGE MBC300 RP1 1/2	KOŁNIERZ MBC300 RP1 1/2	1						
	65313021	ФЛАНЕЦ MBC700/1200 RP1 1/2 FLANŞI MBC700/1200 RP1 1/2	FLANGE MBC700/1200 RP1 1/2	KOŁNIERZ MBC700/1200 RP1 1/2	1						
	65313022	ФЛАНЕЦ MBC700/1200 RP2 FLANŞI MBC700/1200 RP2	FLANGE MBC700/1200 RP2	KOŁNIERZ MBC700/1200 RP2	1						
3640	13010091	РЕЛЕ ДАВ. ВОЗДУХА GW 500 A5 100-500MB GAZ BASINÇ ŞALT. GW 500 A5 100-500MB	PRESSOSTATO GAS GW 500 A5 100-500MB	CZUJNIK CIŚ. GAZU GW 500 A5 100-500MB	1						
	65311598	РЕЛЕ ДАВ. ВОЗДУХА GW 150 A5 30-150MB GAZ BASINÇ ŞALT. GW 150 A5 30-150MB	PRESSOSTATO GAS GW 150 A5 30-150MB	CZUJNIK CIŚ. GAZU GW 150 A5 30-150MB	1						
3650	65311615	РАЗЪЕМ GDMW 30-11 DF PRIZ GDMW 30-11 DF	TOMADA GDMW 30-11 DF	GNIAZDO GDMW 30-11 DF	1						

					
3700	13022415	СЕТЧАТЫЙ ФИЛЬТР/ГАЗОВЫЙ КЛАПАН MBC300 FILTRE SÜZGECİ/GAZ VANASI MBC300	ELEMENTO FILTRANTE/VÁLVULA DE GÁS MBC300	FILTR SITOWY/ZAWÓR GAZOWY MBC300	1
	13022416	СЕТЧАТЫЙ ФИЛЬТР/ГАЗОВЫЙ КЛАПАН MBC700 FILTRE SÜZGECİ/GAZ VANASI MBC700	ELEMENTO FILTRANTE/VÁLVULA DE GÁS MBC700	FILTR SITOWY/ZAWÓR GAZOWY MBC700	1
	13022417	СЕТЧАТЫЙ ФИЛЬТР/ГАЗОВЫЙ КЛАП. MBC1200 FILTRE SÜZGECİ/GAZ VANASI MBC1200	ELEMENTO FILTRANTE/VÁLVULA GÁS MBC1200	FILTR SITOWY/ZAWÓR GAZOWY MBC1200	1
3800	65311458	ГАЗОВ. ФИЛЬТР GF80M-1212-A-1 RP1 1/2 1BAR GAZ FILTR. GF80M-1212-A-1 RP1 1/2 1BAR	FILTRO GÁS GF80M-1212-A-1 RP1 1/2 1BAR	FILTR GAZU GF80M-1212-A-1 RP1 1/2 1BAR	1
	65311459	ГАЗОВЫЙ ФИЛЬТР GF80M-1616-A-1 RP2 1BAR GAZ FILTR. GF80M-1616-A-1 RP2 1BAR	FILTRO GÁS GF80M-1616-A-1 RP2 1BAR	FILTR GAZU GF80M-1616-A-1 RP2 1BAR	1
	65311460	ГАЗОВЫЙ ФИЛЬТР GF65MF-2020-A-1 DN65 1BAR GAZ FILTR. GF65MF-2020-A-1 DN65 1BAR	FILTRO GÁS GF65MF-2020-A-1 DN65 1BAR	FILTR GAZU GF65MF-2020-A-1 DN65 1BAR	1
	65311461	ГАЗОВЫЙ ФИЛЬТР GF80MF-2424-A-1 DN80 1BAR GAZ FILTR. GF80MF-2424-A-1 DN80 1BAR	FILTRO GÁS GF80MF-2424-A-1 DN80 1BAR	FILTR GAZU GF80MF-2424-A-1 DN80 1BAR	1
3801	65311361	ФИЛЬТРУЮЩИЙ ЭЛЕМЕНТ GF 80M FILTRE ELEMANI GF 80M	ELEMENTO FILTRANTE GF 80M	WKŁAD FILTRA GF 80M	1
	65311723	ФИЛЬТРУЮЩИЙ ЭЛЕМЕНТ GF65MF FILTRE ELEMANI GF65MF	ELEMENTO FILTRANTE GF65MF	WKŁAD FILTRA GF65MF	1
	65311888	ФИЛЬТРУЮЩИЙ ЭЛЕМЕНТ GF80MF FILTRE ELEMANI GF80MF	ELEMENTO FILTRANTE GF80MF	WKŁAD FILTRA GF80MF	1
4005	65321049	ПРОКЛАДКА/GASTRAIN D125/90X3 CONTASI/GASTRAIN D125/90X3	GAXETA/GASTRAIN D125/90X3	USZCZELKA/GASTRAIN D125/90X3	1
4010	65311494	КОЛЛЕКТОР DN65-DN80 PN16 MANIFOLD DN65-DN80 PN16	COLETOR DN65-DN80 PN16	KOLEKTOR KDN65-DN80 PN16	1
	65311506	КОЛЛЕКТОР DN65-DN65 PN16 MANIFOLD DN65-DN65 PN16	COLETOR DN65-DN65 PN16	KOLEKTOR DN65-DN65 PN16	1
	65311508	КОЛЛЕКТОР DN65-DN100 PN16 MANIFOLD DN65-DN100 PN16	COLETOR DN65-DN100 PN16	KOLEKTOR DN65-DN100 PN16	1
	65311509	КОЛЛЕКТОР DN65-DN125 PN16 MANIFOLD DN65-DN125 PN16	COLETOR DN65-DN125 PN16	KOLEKTOR DN65-DN125 PN16	1
4020	65311601	ПРЯМОЙ ШТУЦЕР P-EGES 12L/R 1/4WD SAĞ RAKOR P-EGES 12L/R 1/4WD	CONEXÃO DIREITA P-EGES 12L/R 1/4WD	ZŁĄCZE PRAWIE P-EGES 12L/R 1/4WD	1
4030	65311605	ШТУЦЕР P-KV12L RAKOR P-KV12L	CONEXÃO P-KV12L	ZŁĄCZE P-KV12L	1
4040	65311603	УГЛОВОЙ ШТУЦЕР P-EWS 12 L-SS DIRSEKLI RAKOR P-EWS 12 L-SS	UNIÃO COTOVELO P-EWS 12 L-SS	ZŁĄCZKA TYPU KOLANKO P-EWS 12 L-SS	1
4060	65311607	КРЫШКА VSD 12L/S O.M.MB. TAPA VSD 12L/S O.M.MB.	TAMPA VSD 12L/S O.M.MB.	NAKRĘTKA VSD 12L/S O.M.MB.	1
4080	65311453	ГАЗОВЫЙ КЛАПАН VGD40 125 DN125 GAZ VANASI VGD40 125 DN125	VALVULA GAS VGD40 125 DN125	ZAWÓR GAZOWY VGD40 125 DN125	1
	65311583	ГАЗОВЫЙ КЛАПАН VGD40 080 DN80 GAZ VANASI VGD40 080 DN80	VALVULA GAS VGD40 080 DN80	ZAWÓR GAZOWY VGD40 080 DN80	1
	65311590	ГАЗОВЫЙ КЛАПАН VGD40 100 DN100 GAZ VANASI VGD40 100 DN100	VALVULA GAS VGD40 100 DN100	ZAWÓR GAZOWY VGD40 100 DN100	1
	65323661	ГАЗОВЫЙ КЛАПАН VGD40 065 DN65 GAZ VANASI VGD40 065 DN65	VÁLVULA GÁS VGD40 065 DN65	ZAWÓR GAZOWY VGD40 065 DN65	1
4090	65107100	СЕРВОДВИГАТЕЛЬ SKP25.003 E2 БЕЗ КОНЦЕВЫ SERVOMOTOR SKP 25.003 E2 LIMIT ANAHTAR	SERVOMOT. GÁS SKP25.003 E2 SEM FIM CURSO	SERWOSILNIK SKP25.003E2 BEZ WYŁĄCZNIKI	1
4100	65311585	КАБЕЛЬ CONNECT AGA 62 PLUG DIN L270 KABLOSU CONNECT AGA 62 PLUG DIN L270	CABO CONNECT AGA 62 TOMADA DIN L270	PRZEWÓD CONNECT AGA 62 PLUG DIN L270	1
4110	1478836180	СЕРВОДВИГАТЕЛЬ SKP15.000E2 БЕЗ КОНЦЕВЫ SERVOMOTOR SKP15.000E2 LIMIT ANAHTAR	SERVOMOTOR GAS SKP15.000E2 SEM FIM CURSA	SERWOSILNIK SKP15.000E2 BEZ WYŁĄCZNIKI	1
4120	65311342	ПРОКЛАДКА/GASTRAIN D218/169X2 DN150 CONTASI/GASTRAIN D218/169X2 DN150	GAXETA/GASTRAIN D218/169X2 DN150	USZCZELKA/GASTRAIN D218/169X2 DN150	1
	65311611	ПРОКЛАДКА/GASTRAIN D127/77X2 DN65 CONTASI/GASTRAIN D127/77X2 DN65	GAXETA/GASTRAIN D127/77X2 DN65	USZCZELKA/GASTRAIN D127/77X2 DN65	1
	65311612	ПРОКЛАДКА/GASTRAIN D142/90X2 DN80 CONTASI/GASTRAIN D142/90X2 DN80	GAXETA/GASTRAIN D142/90X2 DN80	USZCZELKA/GASTRAIN D142/90X2 DN80	1
	65311613	ПРОКЛАДКА/GASTRAIN D162/115X2 DN100 CONTASI/GASTRAIN D162/115X2 DN100	GAXETA/GASTRAIN D162/115X2 DN100	USZCZELKA/GASTRAIN D162/115X2 DN100	1
	65311614	ПРОКЛАДКА/GASTRAIN D192/141X2 DN125 CONTASI/GASTRAIN D192/141X2 DN125	GAXETA/GASTRAIN D192/141X2 DN125	USZCZELKA/GASTRAIN D192/141X2 DN125	1
4130	65311586	ГНЕЗДОВОЙ РАЗЪЕМ AGA64 DIŞI PRIZ AGA64	TOMADA FÉMEA AGA64	GNIAZDO AGA64	1
4140	65311615	РАЗЪЕМ GDMW 30-11 DF PRIZ GDMW 30-11 DF	TOMADA GDMW 30-11 DF	GNIAZDO GDMW 30-11 DF	1
4150	13010091	РЕЛЕ ДАВ. ВОЗДУХА GW 500 A5 100-500MB GAZ BASINÇ ŞALT. GW 500 A5 100-500MB	PRESSOSTATO GAS GW 500 A5 100-500MB	CZUJNIK CIŚ. GAZU GW 500 A5 100-500MB	1
	65311597	РЕЛЕ ДАВ. ГАЗА GW 150 A6 10-150MB DIN GAZ BASINÇ ŞALT. GW 150 A6 10-150MB DIN	PRESSOSTATO GÁS GW 150 A6 10-150MB DIN	CZUJNIK CIŚ. GAZU GW 150 A6 10-150MB DIN	1
4300	65311460	ГАЗОВЫЙ ФИЛЬТР GF65MF-2020-A-1 DN65 1BAR GAZ FILTR. GF65MF-2020-A-1 DN65 1BAR	FILTRO GÁS GF65MF-2020-A-1 DN65 1BAR	FILTR GAZU GF65MF-2020-A-1 DN65 1BAR	1

		RU		PT		PL		
		TR						
	65311461	ГАЗОВЫЙ ФИЛЬТР GF80MF-2424-A-1 DN80 1BAR GAZ FILTR. GF80MF-2424-A-1 DN80 1BAR	FILTRO GÁS GF80MF-2424-A-1 DN80 1BAR	FILTR GAZU GF80MF-2424-A-1 DN80 1BAR	1			
	65311462	ГАЗОВЫЙ ФИЛЬТР GF100MF-3232-A-1 DN100 1B GAZ FILTR. GF100MF-3232-A-1 DN100 1BAR	FILTRO GÁS GF100MF-3232-A-1 DN100 1BAR	FILTR GAZU GF100MF-3232-A-1 DN100 1BAR	1			
	65311463	ГАЗОВЫЙ ФИЛЬТР GF125MF-4040-A-1 DN125 1B GAZ FILTR. GF125MF-4040-A-1 DN125 1BAR	FILTRO GÁS GF125MF-4040-A-1 DN125 1BAR	FILTR GAZU GF125MF-4040-A-1 DN125 1BAR	1			
	65311892	ГАЗОВЫЙ ФИЛЬТР GF150MF-4848-A-1 DN150 1B GAZ FILTR. GF150MF-4848-A-1 DN150 1BAR	FILTRO GÁS GF150MF-4848-A-1 DN150 1BAR	FILTR GAZU GF150MF-4848-A-1 DN150 1BAR	1			
4301	65311623	ФИЛЬТРУЮЩИЙ ЭЛЕМЕНТ GF150MF FILTRE ELEMANI GF150MF	ELEMENTO FILTRANTE GF150MF	WKŁAD FILTRA GF150MF	1			
	65311723	ФИЛЬТРУЮЩИЙ ЭЛЕМЕНТ GF65MF FILTRE ELEMANI GF65MF	ELEMENTO FILTRANTE GF65MF	WKŁAD FILTRA GF65MF	1			
	65311888	ФИЛЬТРУЮЩИЙ ЭЛЕМЕНТ GF80MF FILTRE ELEMANI GF80MF	ELEMENTO FILTRANTE GF80MF	WKŁAD FILTRA GF80MF	1			
	65311889	ФИЛЬТРУЮЩИЙ ЭЛЕМЕНТ GF100MF FILTRE ELEMANI GF100MF	ELEMENTO FILTRANTE GF100MF	WKŁAD FILTRA GF100MF	1			
	65311890	ФИЛЬТРУЮЩИЙ ЭЛЕМЕНТ GF125MF FILTRE ELEMANI GF125MF	ELEMENTO FILTRANTE GF125MF	WKŁAD FILTRA GF125MF	1			
4505	65321049	ПРОКЛАДКА/GASTRAIN D125/90X3 CONTASI/GASTRAIN D125/90X3	GAXETA/GASTRAIN D125/90X3	USZCZELKA/GASTRAIN D125/90X3	1			
4510	65311494	КОЛЛЕКТОР DN65-DN80 PN16 MANIFOLD DN65-DN80 PN16	COLETOR DN65-DN80 PN16	KOLEKTOR KDN65-DN80 PN16	1			
	65311506	КОЛЛЕКТОР DN65-DN65 PN16 MANIFOLD DN65-DN65 PN16	COLETOR DN65-DN65 PN16	KOLEKTOR DN65-DN65 PN16	1			
	65311508	КОЛЛЕКТОР DN65-DN100 PN16 MANIFOLD DN65-DN100 PN16	COLETOR DN65-DN100 PN16	KOLEKTOR DN65-DN100 PN16	1			
4520	65311601	ПРЯМОЙ ШТУЦЕР P-EGES 12L/R 1/4WD SAĞ RAKOR P-EGES 12L/R 1/4WD	CONEXÃO DIREITA P-EGES 12L/R 1/4WD	ZŁĄCZE PRAWO P-EGES 12L/R 1/4WD	1			
4530	65311344	Т-ШТУЦЕР P-TV 12 L T-RAKOR P-TV 12 L	CONEXÃO EM T P-TV 12 L	T-ZŁĄCZKA P-TV 12 L	1			
4560	65311607	КРЫШКА VSD 12L/S O.M.MB. TAPA VSD 12L/S O.M.MB.	TAMPA VSD 12L/S O.M.MB.	NAKRĘTKA VSD 12L/S O.M.MB.	1			
4580	65311844	ГАЗОВЫЙ КЛАПАН MBC1900SEDN65 40-80MBAR GAZ VANASI MBC1900SE DN65 40-80 MBAR	VÁLVULA GÁS MBC1900SE DN65 40-80MBAR	ZAWÓR GAZ. MBC1900SE DN65 40-80 MBAR	1			
	65311845	ГАЗОВЫЙ КЛАПАН MBC3100SE DN80 40-80MBAR GAZ VANASI MBC3100SE DN80 40-80 MBAR	VÁLVULA GÁS MBC3100 SE DN80 40-80 MBAR	ZAWÓR GAZ. MBC3100SE DN80 40-80 MBAR	1			
	65311846	ГАЗОВЫЙ КЛАПАН MBC5000SE DN100 40-80MB GAZ VANASI MBC5000 SE DN100 40-80 MB	VÁLVULA GÁS MBC5000 SE DN100 40-80 MBAR	ZAWÓR GAZ.MBC5000SE DN100 40-80MBAR	1			
4620	65311342	ПРОКЛАДКА/GASTRAIN D218/169X2 DN150 CONTASI/GASTRAIN D218/169X2 DN150	GAXETA/GASTRAIN D218/169X2 DN150	USZCZELKA/GASTRAIN D218/169X2 DN150	1			
	65311611	ПРОКЛАДКА/GASTRAIN D127/77X2 DN65 CONTASI/GASTRAIN D127/77X2 DN65	GAXETA/GASTRAIN D127/77X2 DN65	USZCZELKA/GASTRAIN D127/77X2 DN65	1			
	65311612	ПРОКЛАДКА/GASTRAIN D142/90X2 DN80 CONTASI/GASTRAIN D142/90X2 DN80	GAXETA/GASTRAIN D142/90X2 DN80	USZCZELKA/GASTRAIN D142/90X2 DN80	1			
	65311613	ПРОКЛАДКА/GASTRAIN D162/115X2 DN100 CONTASI/GASTRAIN D162/115X2 DN100	GAXETA/GASTRAIN D162/115X2 DN100	USZCZELKA/GASTRAIN D162/115X2 DN100	1			
	65311614	ПРОКЛАДКА/GASTRAIN D192/141X2 DN125 CONTASI/GASTRAIN D192/141X2 DN125	GAXETA/GASTRAIN D192/141X2 DN125	USZCZELKA/GASTRAIN D192/141X2 DN125	1			
4640	13010091	РЕЛЕ ДАВ. ВОЗДУХА GW 500 A5 100-500MB GAZ BASINÇ ŞALT. GW 500 A5 100-500MB	PRESSOSTATO GAS GW 500 A5 100-500MB	CZUJNIK CIŚ. GAZU GW 500 A5 100-500MB	1			
	65311597	РЕЛЕ ДАВ. ГАЗА GW 150 A6 10-150MB DIN GAZ BASINÇ ŞALT. GW 150 A6 10-150MB DIN	PRESSOSTATO GÁS GW 150 A6 10-150MB DIN	CZUJNIK CIŚ. GAZU GW 150 A6 10-150MB DIN	1			
4650	65311615	РАЗЪЕМ GDMW 30-11 DF PRIZ GDMW 30-11 DF	TOMADA GDMW 30-11 DF	GNIAZDO GDMW 30-11 DF	1			
4800	65311460	ГАЗОВЫЙ ФИЛЬТР GF65MF-2020-A-1 DN65 1BAR GAZ FILTR. GF65MF-2020-A-1 DN65 1BAR	FILTRO GÁS GF65MF-2020-A-1 DN65 1BAR	FILTR GAZU GF65MF-2020-A-1 DN65 1BAR	1			
	65311461	ГАЗОВЫЙ ФИЛЬТР GF80MF-2424-A-1 DN80 1BAR GAZ FILTR. GF80MF-2424-A-1 DN80 1BAR	FILTRO GÁS GF80MF-2424-A-1 DN80 1BAR	FILTR GAZU GF80MF-2424-A-1 DN80 1BAR	1			
	65311462	ГАЗОВЫЙ ФИЛЬТР GF100MF-3232-A-1 DN100 1B GAZ FILTR. GF100MF-3232-A-1 DN100 1BAR	FILTRO GÁS GF100MF-3232-A-1 DN100 1BAR	FILTR GAZU GF100MF-3232-A-1 DN100 1BAR	1			
	65311463	ГАЗОВЫЙ ФИЛЬТР GF125MF-4040-A-1 DN125 1B GAZ FILTR. GF125MF-4040-A-1 DN125 1BAR	FILTRO GÁS GF125MF-4040-A-1 DN125 1BAR	FILTR GAZU GF125MF-4040-A-1 DN125 1BAR	1			
	65311892	ГАЗОВЫЙ ФИЛЬТР GF150MF-4848-A-1 DN150 1B GAZ FILTR. GF150MF-4848-A-1 DN150 1BAR	FILTRO GÁS GF150MF-4848-A-1 DN150 1BAR	FILTR GAZU GF150MF-4848-A-1 DN150 1BAR	1			
4801	65311623	ФИЛЬТРУЮЩИЙ ЭЛЕМЕНТ GF150MF FILTRE ELEMANI GF150MF	ELEMENTO FILTRANTE GF150MF	WKŁAD FILTRA GF150MF	1			
	65311723	ФИЛЬТРУЮЩИЙ ЭЛЕМЕНТ GF65MF FILTRE ELEMANI GF65MF	ELEMENTO FILTRANTE GF65MF	WKŁAD FILTRA GF65MF	1			
	65311888	ФИЛЬТРУЮЩИЙ ЭЛЕМЕНТ GF80MF FILTRE ELEMANI GF80MF	ELEMENTO FILTRANTE GF80MF	WKŁAD FILTRA GF80MF	1			
	65311889	ФИЛЬТРУЮЩИЙ ЭЛЕМЕНТ GF100MF FILTRE ELEMANI GF100MF	ELEMENTO FILTRANTE GF100MF	WKŁAD FILTRA GF100MF	1			

						
	65311890	ФИЛЬТРУЮЩИЙ ЭЛЕМЕНТ GF125MF FILTRE ELEMANI GF125MF	ELEMENTO FILTRANTE GF125MF	WKLAD FILTRA GF125MF	1	
5001	13017896	ФОРСУНКА DZ1000 240KG 60° M14 1-5 PÜSK. MEMESI DZ1000 240KG 60° M14 1-5	BOQUILLA DZ1000 240KG 60° M14 1-5	DYSZA DZ1000 240KG 60° M14 1-5	1	
	13020640	ФОРСУНКА DZ1000 350KG 60° M14 1-5 PÜSK. MEMESI DZ1000 350KG 60° M14 1-5	BOQUILLA DZ1000 350KG 60° M14 1-5	DYSZA DZ1000 350KG 60° M14 1-5	1	
	13020641	ФОРСУНКА DZ1000 400KG 60° M14 1-5 PÜSK. MEMESI DZ1000 400KG 60° M14 1-5	BOQUILLA DZ1000 400KG 60° M14 1-5	DYSZA DZ1000 400KG 60° M14 1-5	1	
	14024344	ФОРСУНКА FLU 140KG 45° W1 PÜSK. MEMESI FLU 140KG 45° W1	BOQUILLA FLU 140KG 45° W1	DYSZA FLU 140KG 45° W1	1	
	1450621478	ФОРСУНКА DZ1000 450KG 60° M14 1-5 PÜSK. MEMESI DZ1000 450KG 60° M14 1-5	BOQUILLA DZ1000 450KG 60° M14 1-5	DYSZA DZ1000 450KG 60° M14 1-5	1	
	1458419183	ФОРСУНКА DZ1000 260KG 45° M14 1-5 PÜSK. MEMESI DZ1000 260KG 45° M14 1-5	BOQUILLA DZ1000 260KG 45° M14 1-5	DYSZA DZ1000 260KG 45° M14 1-5	1	
	1458419218	ФОРСУНКА DZ1000 325KG 45° M14 1-5 PÜSK. MEMESI DZ1000 325KG 45° M14 1-5	BOQUILLA DZ1000 325KG 45° M14 1-5	DYSZA DZ1000 325KG 45° M14 1-5	1	
	1458419230	ФОРСУНКА DZ1000 375KG 45° M14 1-5 PÜSK. MEMESI DZ1000 375KG 45° M14 1-5	BOQUILLA DZ1000 375KG 45° M14 1-5	DYSZA DZ1000 375KG 45° M14 1-5	1	
	3333112566	ФОРСУНКА FLU 100KG 50° W1 PÜSK. MEMESI FLU 100KG 50° W1	BOQUILLA FLU 100KG 50° W1	DYSZA FLU 100KG 50° W1	1	
	65310356	ФОРСУНКА DZ1000 280KG 60° M14 1-5 PÜSK. MEMESI DZ1000 280KG 60° M14 1-5	BOQUILLA DZ1000 280KG 60° M14 1-5	DYSZA DZ1000 280KG 60° M14 1-5	1	
	65310357	ФОРСУНКА DZ1000 300KG 60° M14 1-5 PÜSK. MEMESI DZ1000 300KG 60° M14 1-5	BOQUILLA DZ1000 300KG 60° M14 1-5	DYSZA DZ1000 300KG 60° M14 1-5	1	
	65311376	ФОРСУНКА DZ1000 375KG 60° M14 1-5 PÜSK. MEMESI DZ1000 375KG 60° M14 1-5	BOQUILLA DZ1000 375KG 60° M14 1-5	DYSZA DZ1000 375KG 60° M14 1-5	1	
	65311876	ФОРСУНКА FLU 200KG 50° W1 PÜSK. MEMESI FLU 200KG 50° W1	BOQUILLA FLU 200KG 50° W1	DYSZA FLU 200KG 50° W1	1	
	65312071	ФОРСУНКА FLU 200KG 45° W1 PÜSK. MEMESI FLU 200KG 45° W1	BOQUILLA FLU 200KG 45° W1	DYSZA FLU 200KG 45° W1	1	
	65312075	ФОРСУНКА DZ1000 300KG 45° M14 1-5 PÜSK. MEMESI DZ1000 300KG 45° M14 1-5	BOQUILLA DZ1000 300KG 45° M14 1-5	DYSZA DZ1000 300KG 45° M14 1-5	1	
	65312165	ФОРСУНКА DZ1000 350KG 45° M14 1-5 PÜSK. MEMESI DZ1000 350KG 45° M14 1-5	BOQUILLA DZ1000 350KG 45° M14 1-5	DYSZA DZ1000 350KG 45° M14 1-5	1	
	65312267	ФОРСУНКА FLU 140KG 50° W1 PÜSK. MEMESI FLU 140KG 50° W1	BOQUILLA FLU 140KG 50° W1	DYSZA FLU 140KG 50° W1	1	
	65312431	ФОРСУНКА FLU 112KG 50° W1 PÜSK. MEMESI FLU 112KG 50° W1	BOQUILLA FLU 112KG 50° W1	DYSZA FLU 112KG 50° W1	1	
	65312444	ФОРСУНКА FLU 160KG 45° W1 PÜSK. MEMESI FLU 160KG 45° W1	BOQUILLA FLU 160KG 45° W1	DYSZA FLU 160KG 45° W1	1	
	65312670	ФОРСУНКА FLU 160KG 50° W1 PÜSK. MEMESI FLU 160KG 50° W1	BOQUILLA FLU 160KG 50° W1	DYSZA FLU 160KG 50° W1	1	
	65312814	ФОРСУНКА FLU 250KG 50° W1 PÜSK. MEMESI FLU 250KG 50° W1	BOQUILLA FLU 250KG 50° W1	DYSZA FLU 250KG 50° W1	1	
	65312954	ФОРСУНКА FLU 100KG 45° W1 PÜSK. MEMESI FLU 100KG 45° W1	BOQUILLA FLU 100KG 45° W1	DYSZA FLU 100KG 45° W1	1	
	65312970	ФОРСУНКА FLU 112KG 45° W1 PÜSK. MEMESI FLU 112KG 45° W1	BOQUILLA FLU 112KG 45° W1	DYSZA FLU 112KG 45° W1	1	
	65312971	ФОРСУНКА FLU 225KG 45° W1 PÜSK. MEMESI FLU 225KG 45° W1	BOQUILLA FLU 225KG 45° W1	DYSZA FLU 225KG 45° W1	1	
	65312972	ФОРСУНКА FLU 250KG 45° W1 PÜSK. MEMESI FLU 250KG 45° W1	BOQUILLA FLU 250KG 45° W1	DYSZA FLU 250KG 45° W1	1	
	65313144	ФОРСУНКА DZ1000 325KG 60° M14 1-5 PÜSK. MEMESI DZ1000 325KG 60° M14 1-5	BOQUILLA DZ1000 325KG 60° M14 1-5	DYSZA DZ1000 325KG 60° M14 1-5	1	
	65313160	ФОРСУНКА DZ1000 240KG 45° M14 1-5 PÜSK. MEMESI DZ1000 240KG 45° M14 1-5	BOQUILLA DZ1000 240KG 45° M14 1-5	DYSZA DZ1000 240KG 45° M14 1-5	1	
	65313161	ФОРСУНКА DZ1000 280KG 45° M14 1-5 PÜSK. MEMESI DZ1000 280KG 45° M14 1-5	BOQUILLA DZ1000 280KG 45° M14 1-5	DYSZA DZ1000 280KG 45° M14 1-5	1	
	65313162	ФОРСУНКА DZ1000 400KG 45° M14 1-5 PÜSK. MEMESI DZ1000 400KG 45° M14 1-5	BOQUILLA DZ1000 400KG 45° M14 1-5	DYSZA DZ1000 400KG 45° M14 1-5	1	
	65313163	ФОРСУНКА DZ1000 450KG 45° M14 1-5 PÜSK. MEMESI DZ1000 450KG 45° M14 1-5	BOQUILLA DZ1000 450KG 45° M14 1-5	DYSZA DZ1000 450KG 45° M14 1-5	1	
	65313565	ФОРСУНКА FLU 225KG 50° W1 PÜSK. MEMESI FLU 225KG 50° W1	BOQUILLA FLU 225KG 50° W1	DYSZA FLU 225KG 50° W1	1	
	65324932	ФОРСУНКА DZ1000 260KG 60° M14 1-5 PÜSK. MEMESI DZ1000 260KG 60° M14 1-5	BOQUILLA DZ1000 260KG 60° M14 1-5	DYSZA DZ1000 260KG 60° M14 1-5	1	
5002	65312450	БЛОК УПРА. BT340 ОПРЕДЕЛ. ПАРАМ. KUTU BT340 ÖZEL AYAR	PROGRAMADOR BT340 CONF. ESPECÍFICA	MODUŁ BT340 SPECYFICZNE USTAWIENIE	1	
	65312455	БЛОК УПРА. BT340 GL-EF3(+БЕС.ПЕГ.) KUTU BT340 GL-EF3 (+FREK.DÖNÜS.)	PROGRAMADOR BT340 GL-EF3(+CTL.FR.)	MODUŁ BT340 GL-EF3 (+PRZET.CZEST.)	1	
5010	65311362	ИСПЫТАТЕЛЬНАЯ ГОРЕЛКА С КНОПКОЙ PB2 BASMA DÜĞMESİ İLE BRÜLÖR TEST PB2	QUEIMADOR DE ENSAIO COM B. PRESSÃO PB2	PALNIK TEST Z PRZYCISKIEM PB2	1	







