



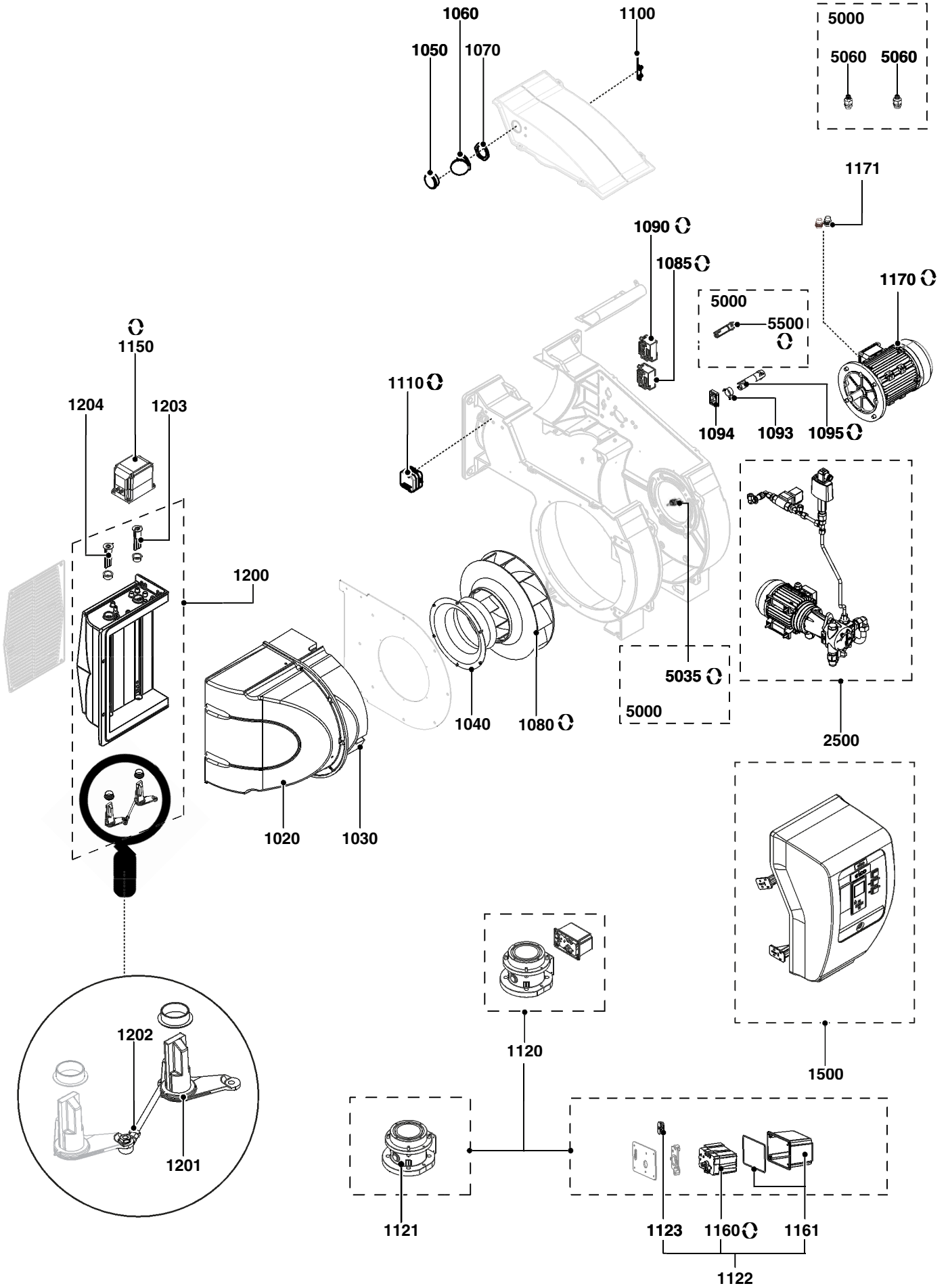
SPARE PARTS EXPLODED VIEW  
DUAL-FUEL BURNERS  
Model  
**CB-EKEVO6/7 GL-EZ3**

R8220143-01 - 05/07/2016

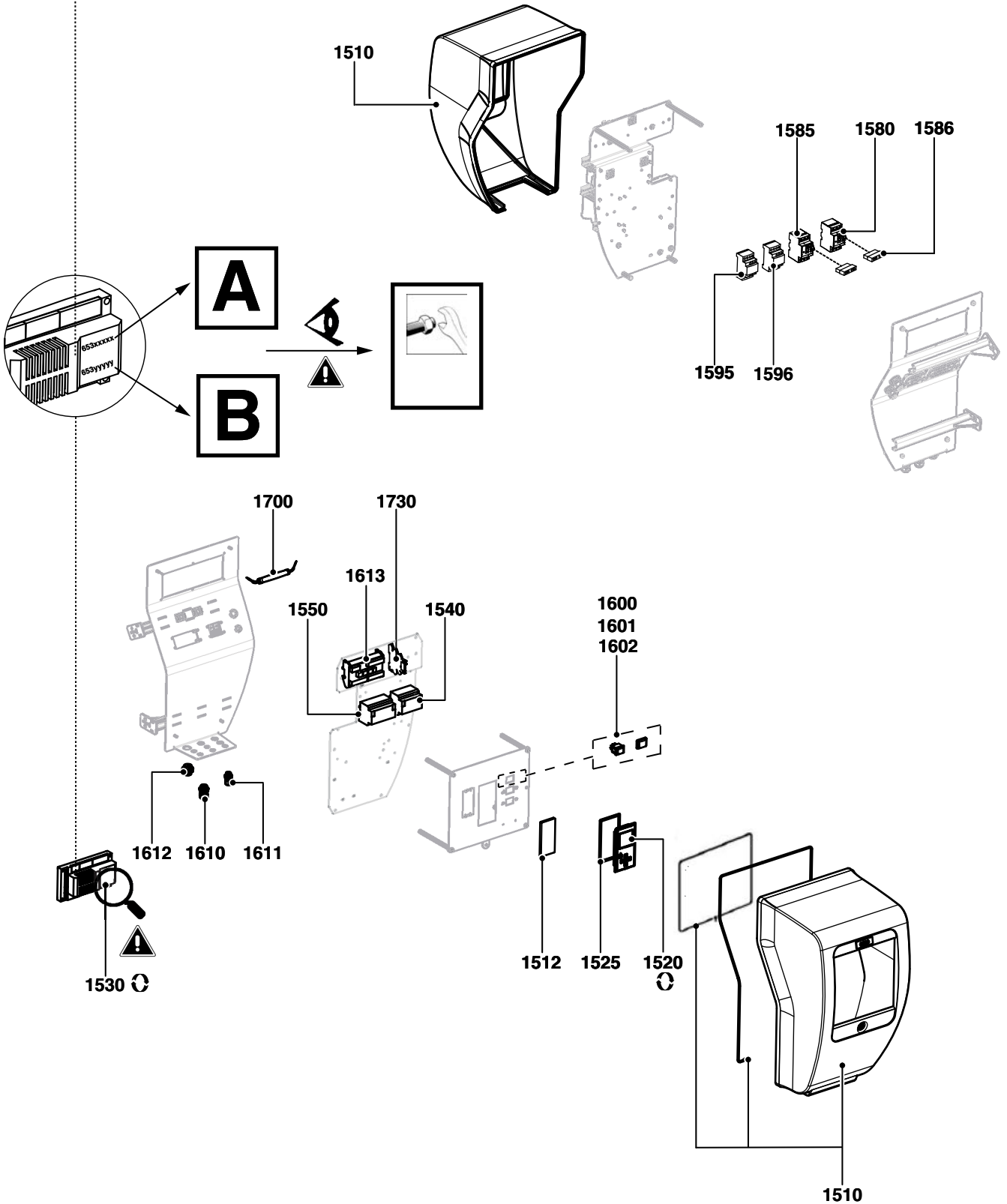
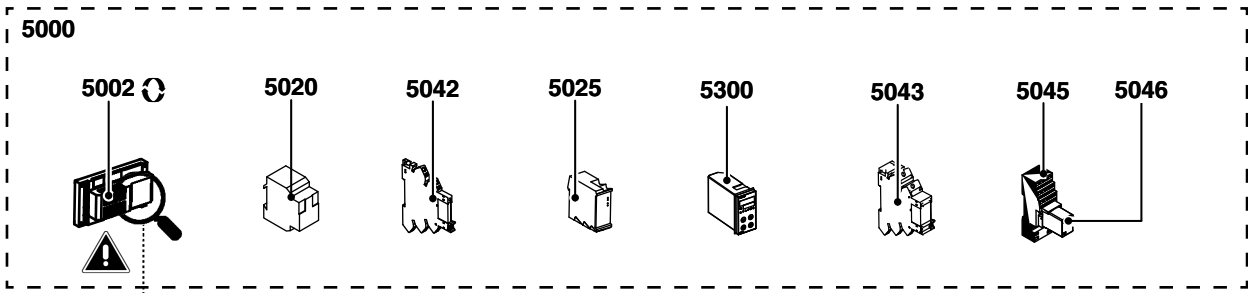
1	3754106	EKEVO 6.2400 GL-EZ3/BT3/KN	01-2016	-
1	3754110	EKEVO 6.2400 GL-EZ3/BT3/KM	01-2016	-
1	3754114	EKEVO 6.2400 GL-EZ3/BT3/KL	01-2016	-
2	3754107	EKEVO 6.2900 GL-EZ3/BT3/KN	01-2016	-
2	3754111	EKEVO 6.2900 GL-EZ3/BT3/KM	01-2016	-
2	3754115	EKEVO 6.2900 GL-EZ3/BT3/KL	01-2016	-
3	3754108	EKEVO 7.3600 GL-EZ3/BT3/KN	01-2016	-
3	3754112	EKEVO 7.3600 GL-EZ3/BT3/KM	01-2016	-
3	3754116	EKEVO 7.3600 GL-EZ3/BT3/KL	01-2016	-
4	3754109	EKEVO 7.4500 GL-EZ3/BT3/KN	01-2016	-
4	3754113	EKEVO 7.4500 GL-EZ3/BT3/KM	01-2016	-
4	3754117	EKEVO 7.4500 GL-EZ3/BT3/KL	01-2016	-
5	3750525	GT-s451-1"1/2	01-2014	-
6	3750526	GT-s452-2"	01-2014	-
7	3750509	GT-d451-1"1/4	01-2014	-
8	3750510	GT-d452-1"1/2	01-2014	-
9	3750511	GT-d453-2"	01-2014	-
10	3750527	GT-s453-65	01-2014	-
11	3750528	GT-s454-80	01-2014	-
12	3750529	GT-s455-100	01-2014	-
13	3750530	GT-s456-125	01-2014	-
14	3750512	GT-d454-65	01-2014	-
15	3750513	GT-d455-80	01-2014	-
16	3750514	GT-d456-100	01-2014	-

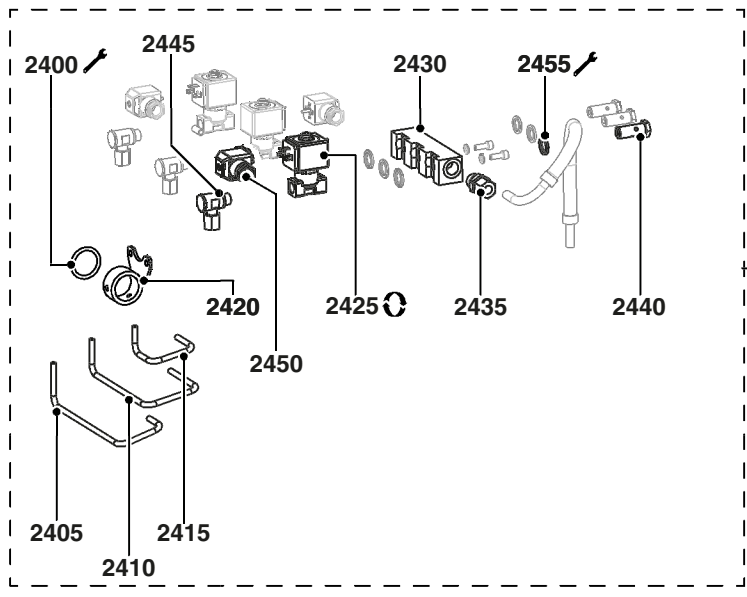
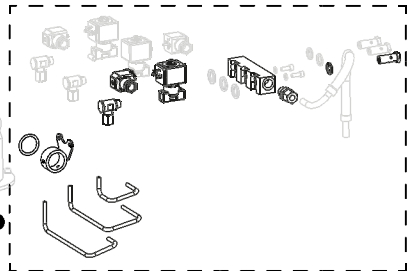
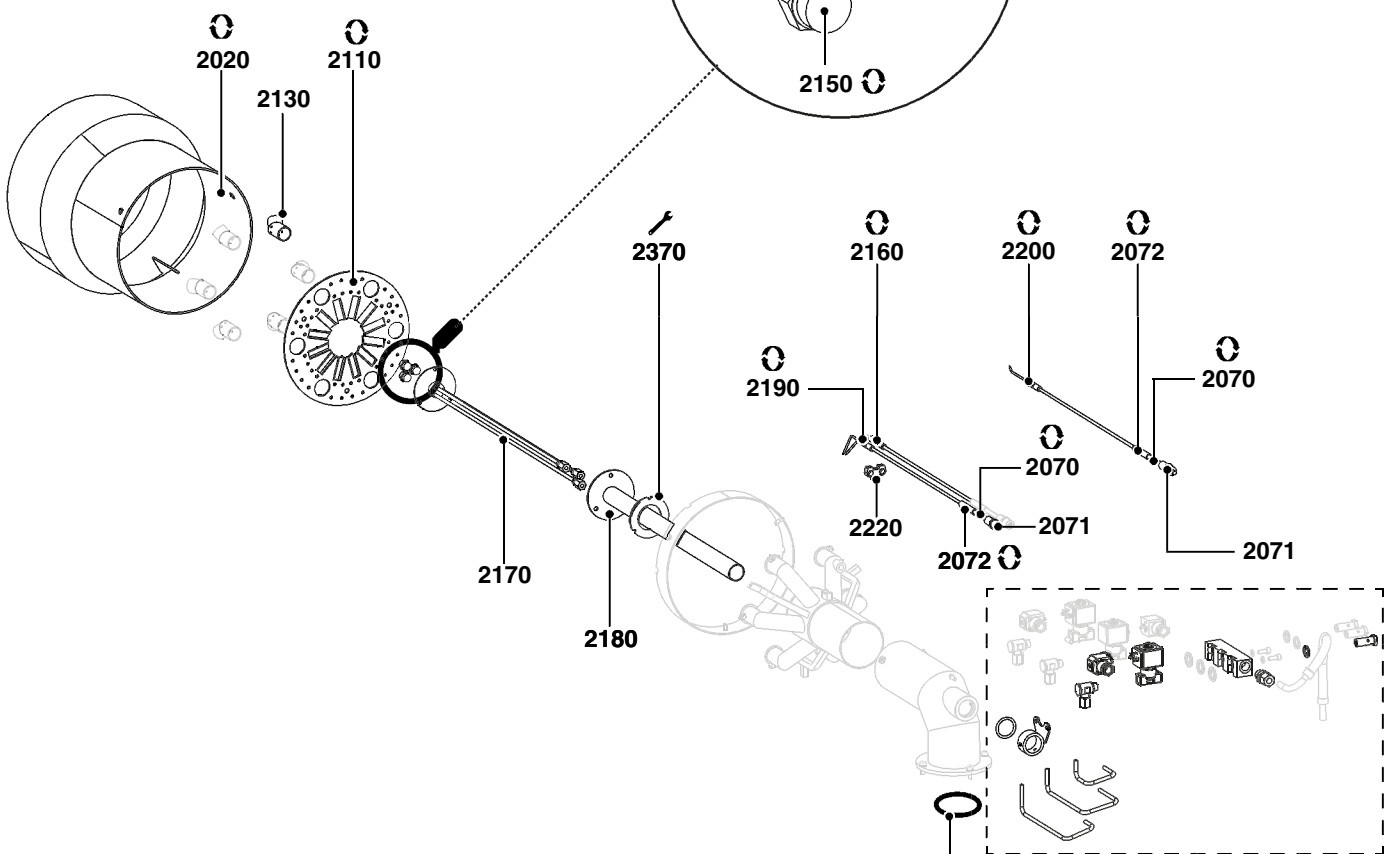
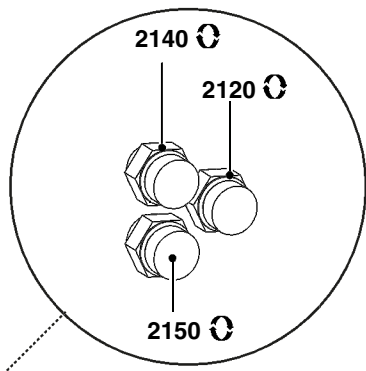
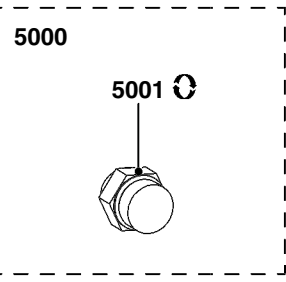
Col	Reference	Model type	Begin	End
-----	-----------	------------	-------	-----



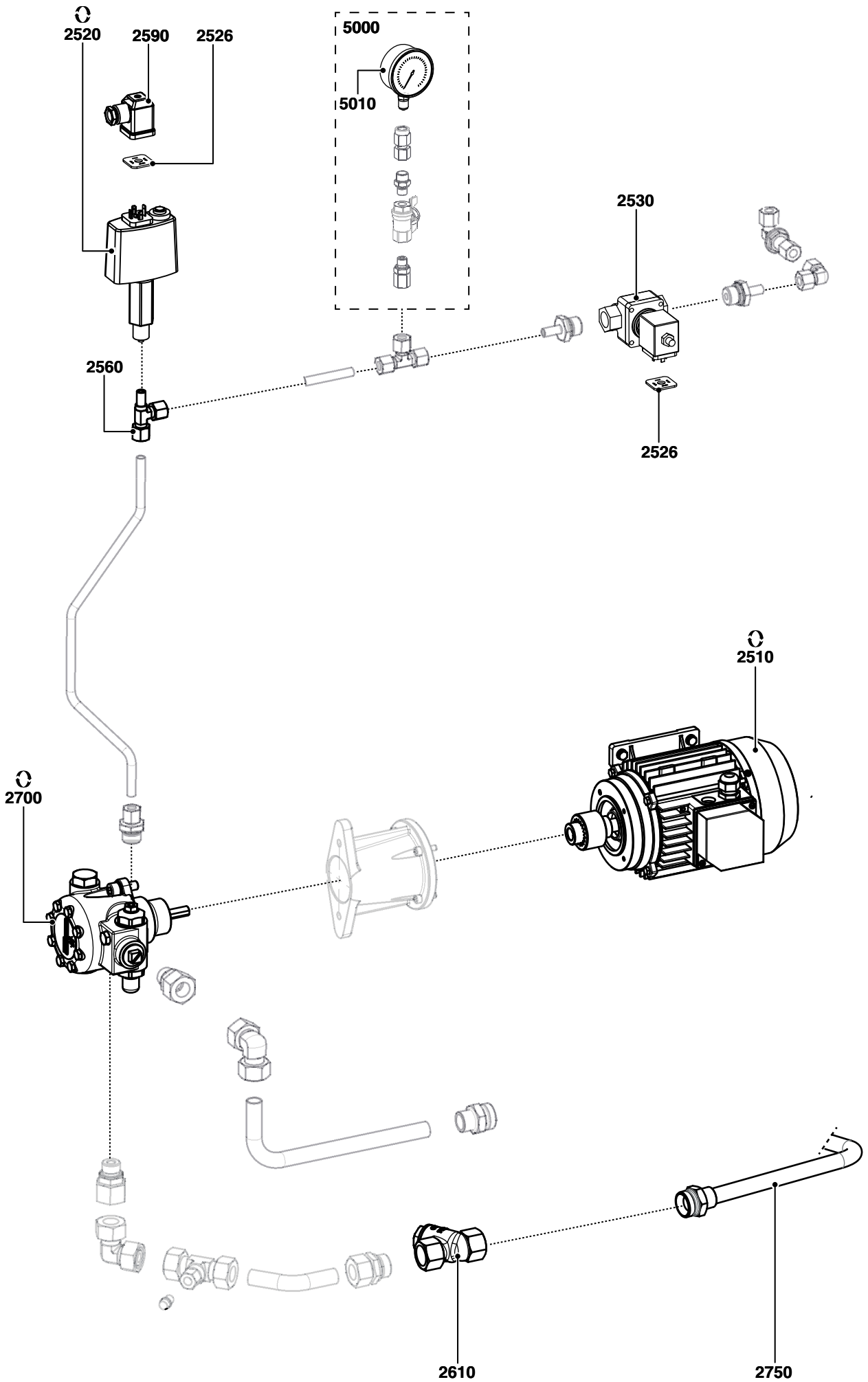
☉⇒	Description	Manf. Pt. N	Type	<div style="display: flex; justify-content: space-between; align-items: center;"> <div style="writing-mode: vertical-rl; transform: rotate(180deg); font-size: 8px;"> EKEVO 6-2400 GL-EZ3/BT3  EKEVO 6-2900 GL-EZ3/BT3  EKEVO 7-3800 GL-EZ3/BT3  EKEVO 7-4500 GL-EZ3/BT3  GT-9451-111/2  GT-9452-2"  GT-9451-111/4  GT-9452-111/2  GT-9453-2"  GT-9453-65  GT-9454-80  GT-9455-100  GT-9456-125  GT-9457-65  GT-9458-80  GT-9459-100 </div> <div style="border: 1px solid black; padding: 2px; font-weight: bold; font-size: 12px;">31</div> </div>																		From	to
				1	2	3	4	5	6	7	8	9	10	11	12	13	14	15	16	17	18		
<b>1000</b>	<b>BURNER BODY</b>																						
1020	AIR BOX COVER	65312332		●	●	●	●																
1030	SOUND INSULATION/AIR BOX	65312333		●	●	●	●																
1040	AIR GUIDING PIECE	65311474					●	●															
	AIR GUIDING PIECE	65311490		●	●																		
1050	COLORLESS SIGHT GLASS D55X21	1180603227		●	●	●	●																
1060	SIGHT GLASS COVER D55X61	1188052260		●	●	●	●																
1070	NUT/SIGHT GLASS M48X1,5 SW60	1180559591		●	●	●	●																
1080	FAN WHEEL D415/225X84 D28+PLATE D58/12	65311500		●																			
	FAN WHEEL D438/225X89 D28+PLATE D58/12	65311489			●																		
	FAN WHEEL D450/252X90 D38+PLATE D58/12	65311473					●																
	FAN WHEEL D485/252X102 D38+PLATE D58/12	65311822						●															
1085	IGNITION TRANSFORMER EBI 2X7,5 230V	65310925		●	●	●	●																
1090	IGNITION TRANSFORMER EBI 1X11 230V	65311471		●	●	●	●																
1093	CLIP D22.5 FOR RAR 7/QRA2 PHOTOCCELL	65313375		●	●	●	●																
1094	PHOTOCCELL HOLDER	65312311		●	●	●	●																
1095	PHOTOCCELL QRA 2	1758106258		●	●	●	●																
1100	MIRROR/SIGHT GLASS	65311472		●	●	●	●																
1110	AIR PRESS.SWITCH LGW 50 A2P 2,5-50MB	65311595		●	●	●	●																
1120	GAS FLAP+ACTUATOR ASSEMBLY	65312321		●	●	●	●																
1121	GAS FLAP ASSEMBLY	65312322		●	●	●	●																
1122	GAS ACTUAT. ASSB. STE4.5 B037/6-R 0,8NM	65312323		●	●	●	●																
1123	GROMMET DIM.34X15/12 D.6.2	65312458		●	●	●	●																
1150	ACTUATOR STE4,5 Q3.51/6 3NM R (BT3XX)	65311650		●	●	●	●																
1160	ACTUATOR STE 4,5 B037/6 R	65300980		●	●	●	●																
1161	ACTUATOR COVER	65312327		●	●	●	●																
1170	MOTOR 3,0KW 230/400V D28 IE2 BLACK	65312555		●																			
	MOTOR 4,0KW 400/690V D28 IE2 BLACK	65312556			●																		
	MOTOR 5,5KW 400/690V D38 IE2 BLACK	65312557					●																
	MOTOR 7,5KW 400/690V D38 IE3 BLACK	65312558						●															
1171	CABLE GLAND M20X1,5 POLYAMIDE BLACK	65313740		●																			
	CABLE GLAND M25X1,5 POLYAMIDE BLACK	65312703			●	●	●																
1200	AIR FLAP ASSEMBLY	65312328		●	●	●	●																
1201	AIR FLAP DRIVING LEVER	65312331		●	●	●	●																
1202	CARDAN ROD D10X145 M6 AIR FLAP	65312330		●	●	●	●																
1203	SPINDLE / AIR FLAP D34/25X100 FLAT L55	65312329		●	●	●	●																
1204	SPINDLE / AIR FLAP D34/25X100 W.POINTER	65312459		●	●	●	●																
<b>5000</b>	<b>ACCESSORY</b>																						
5035	EXTERNAL SENSOR NAMUR NI5-G12-Y1	65312550		●	●	●	●																
5060	CABLE GLAND M20X1,5 SKINTOP MS-SC-M(EMC)	65313884	FC EXT	●																			
	CABLE GLAND M25X1,5 SKINTOP MS-SC-M(EMC)	65313885	FC EXT		●	●	●																
5500	PHOTOCCELL FFS08-UV1 659D31 - 5M W/O	65312274		●	●	●	●																



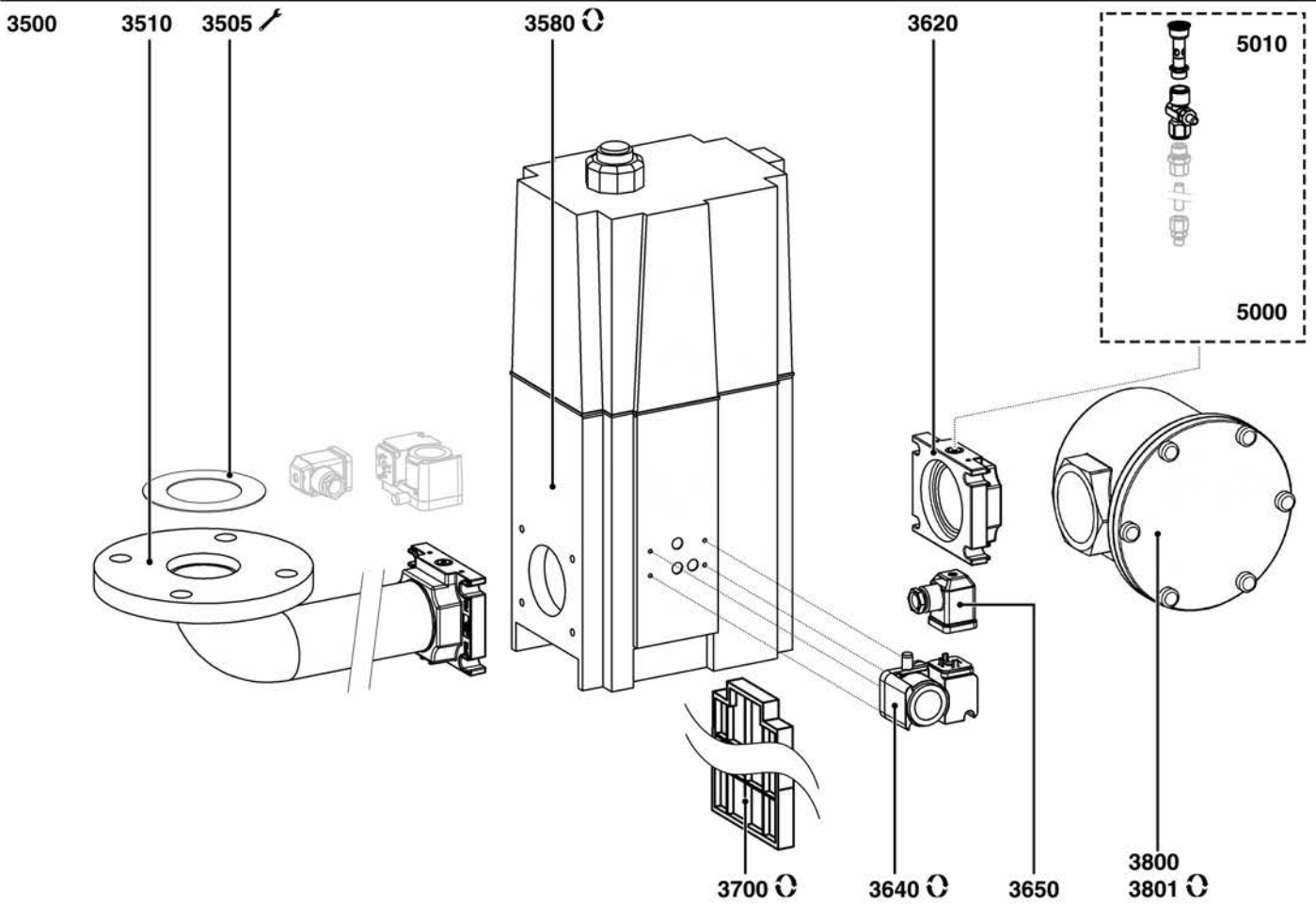
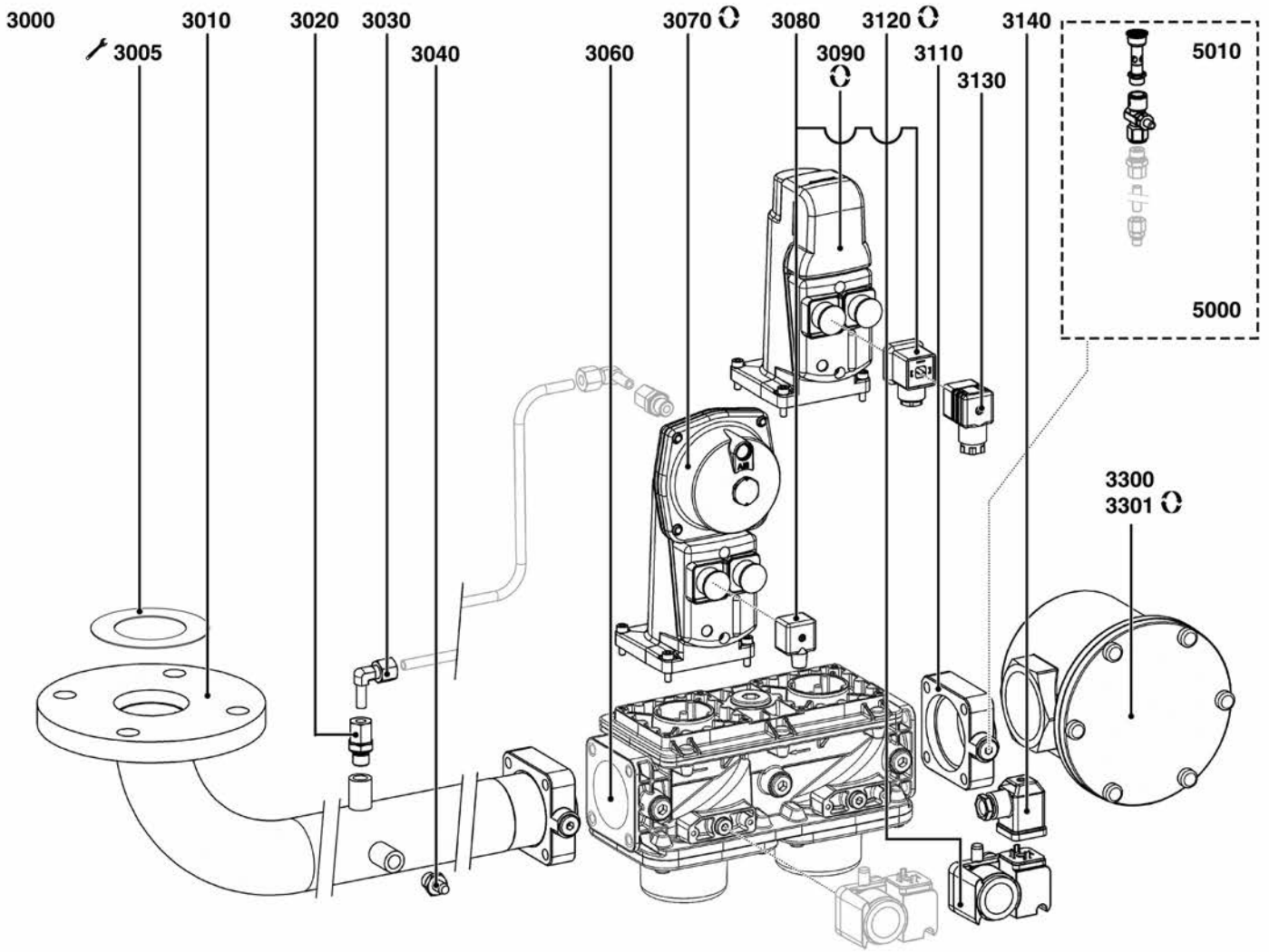
Description	Manf. Pt. N	Type	<div style="display: flex; justify-content: space-between; font-size: 8px; text-align: center;"> <span>EKEVO 6-2400 GL-EZ3BT3</span> <span>EKEVO 6-2900 GL-EZ3BT3</span> <span>EKEVO 7-3800 GL-EZ3BT3</span> <span>EKEVO 7-4500 GL-EZ3BT3</span> <span>GT-9451-111/2</span> <span>GT-9452-2"</span> <span>GT-9451-111/4</span> <span>GT-9452-2"</span> <span>GT-9453-65</span> <span>GT-9454-80</span> <span>GT-9455-100</span> <span>GT-9456-125</span> <span>GT-9457-85</span> <span>GT-9458-80</span> <span>GT-9459-100</span> </div>																		From	to
			1	2	3	4	5	6	7	8	9	10	11	12	13	14	15	16	17	18		
<b>1500 ELECTRIC PART</b>																						
1510 SWITCH CABINET COVER	65312340		•	•	•	•																
1512 BLIND CAP/CONTROLLER 92X45 IP54	65312338		•	•	•	•																
1520 DISPLAY FOR CONTROL UNIT BT3XX	65326712		•	•	•	•																
1525 GASKET/DISPLAY 152/140X80/70X2	65311364		•	•	•	•																
1530 CONTROL UNIT BT340 GLEZ3 BASE SETTING	65312900		•	•	•	•																
1540 LCM100 MODULE (LSB-M 667R0500-1)	65311790		•	•	•	•																
1550 DFM300 MODULE (LSB-M 667R0600-1)	65311791		•	•	•	•																
1580 CIRCUIT BREAK. MOTOR 3-4KW GV2ME14	65311794		•	•																		
CIRCUIT BREAK. MOTOR 5,5kW GV2ME16	65312033					•																
CIRCUIT BREAK. MOTOR 7,5 kW GV2ME20	65311776						•															
1585 CIRCUIT BREAK. MOTOR 0,55KW GV2ME06	65312919		•	•																		
CIRCUIT BREAK. MOTOR 0,75KW GV2ME07	65311945					•	•															
1586 AUXILIARY SWITCH GVAE11	65311795		•	•	•	•																
1595 MOTOR CONTACTOR SCH D 3-4kW LC1D09P7	65311793		•	•	•	•																
1596 MOTOR CONTACTOR SCH D 3-4kW LC1D09P7	65311793		•	•																		
MOTOR CONTACTOR SCH D 3-7,5KW LC1D18P7	65311947						•															
MOTOR CONTACTOR SCH D 5,5kW LC1D12P7	65312032						•															
1600 SWITCH CABINET LIGHT INDICATOR	65312334		•	•	•	•																
1601 3-POS. MOMENTARY SWITCH	65313828		•	•	•	•																
1602 2-POS. ROCKER SWITCH	65312335		•	•	•	•																
1610 CABLE GLAND M20	65311758		•	•	•	•																
1611 CABLE GLAND M16	65311451		•	•	•	•																
1612 CABLE GLAND CLICK M25	65312852		•	•	•	•																
1613 ADAPTER BT300/DFM300 RAST5	65311789		•	•	•	•																
1700 OPERATING TOOL WAG 2009-309	65311446		•	•	•	•																
1730 RELAY FIN 38.61.8.240.0060 KLL 1W FZ	65311792		•	•	•	•																
<b>5000 ACCESSORY</b>																						
5002 CONTR. UNIT BT340 GLEZ3 CUSTOM. SETTING	65312901		•	•	•	•																
5020 VSM100 MODULE (LSB-M 667R0200-1)	65311918		•	•	•	•																
5025 LAM CONSOLE F152 659G0501	65312275		•	•	•	•																
5042 RELAY FIN 38.61.8.240.5060 KLL 1W FZ	65311940		•	•	•	•																
5043 RELAY FIN 38.62.8.230.0060 KLL-REL2W	65312897		•	•	•	•																
5045 RELAY BASE FIN 94.54.1 4W	65312994		•	•	•	•																
5046 RELAY FIN 55.34.8.230.5050 4W	65312993		•	•	•	•																
5300 CONTROLLER RWF 55.50A9	65114033		•	•	•	•																



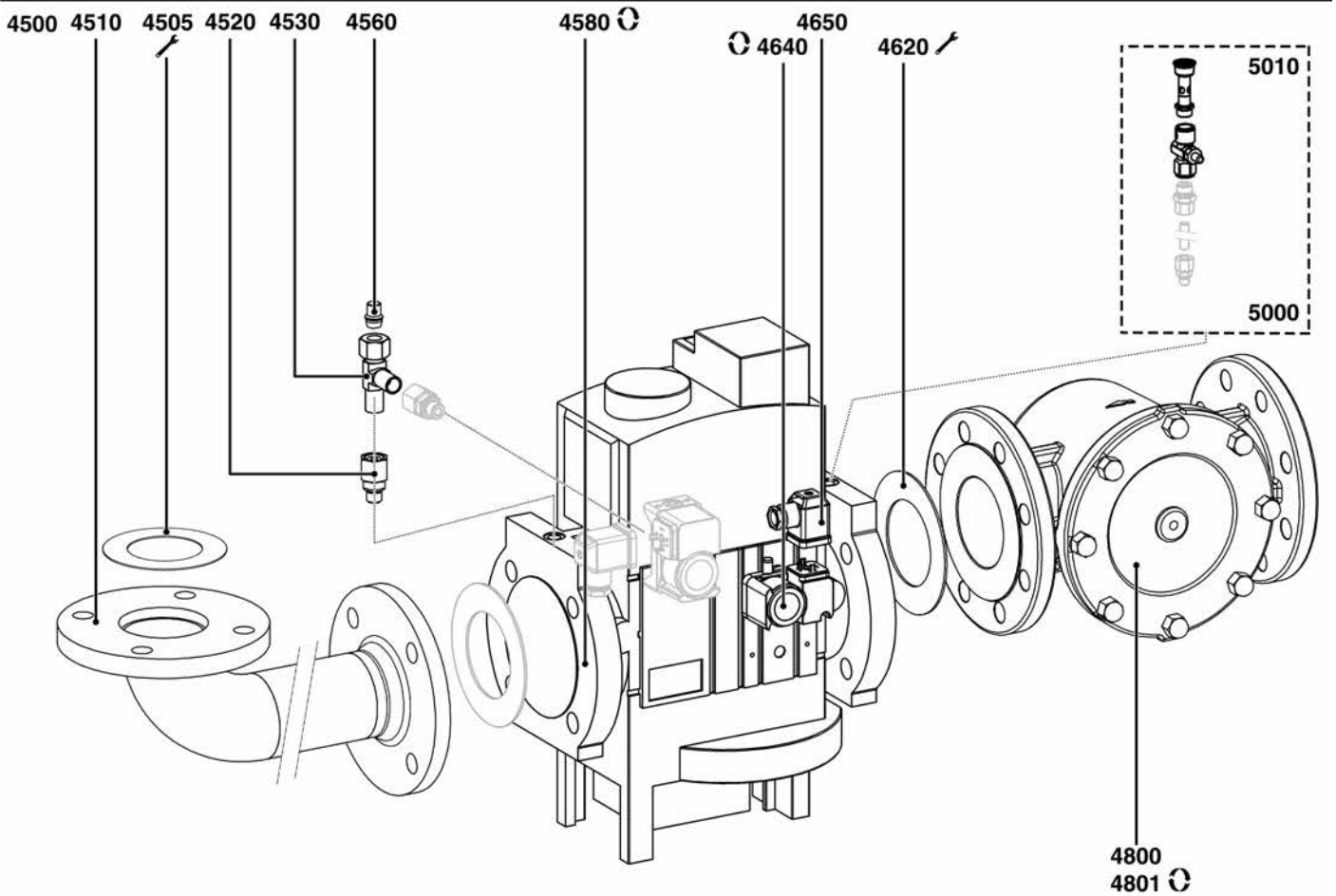
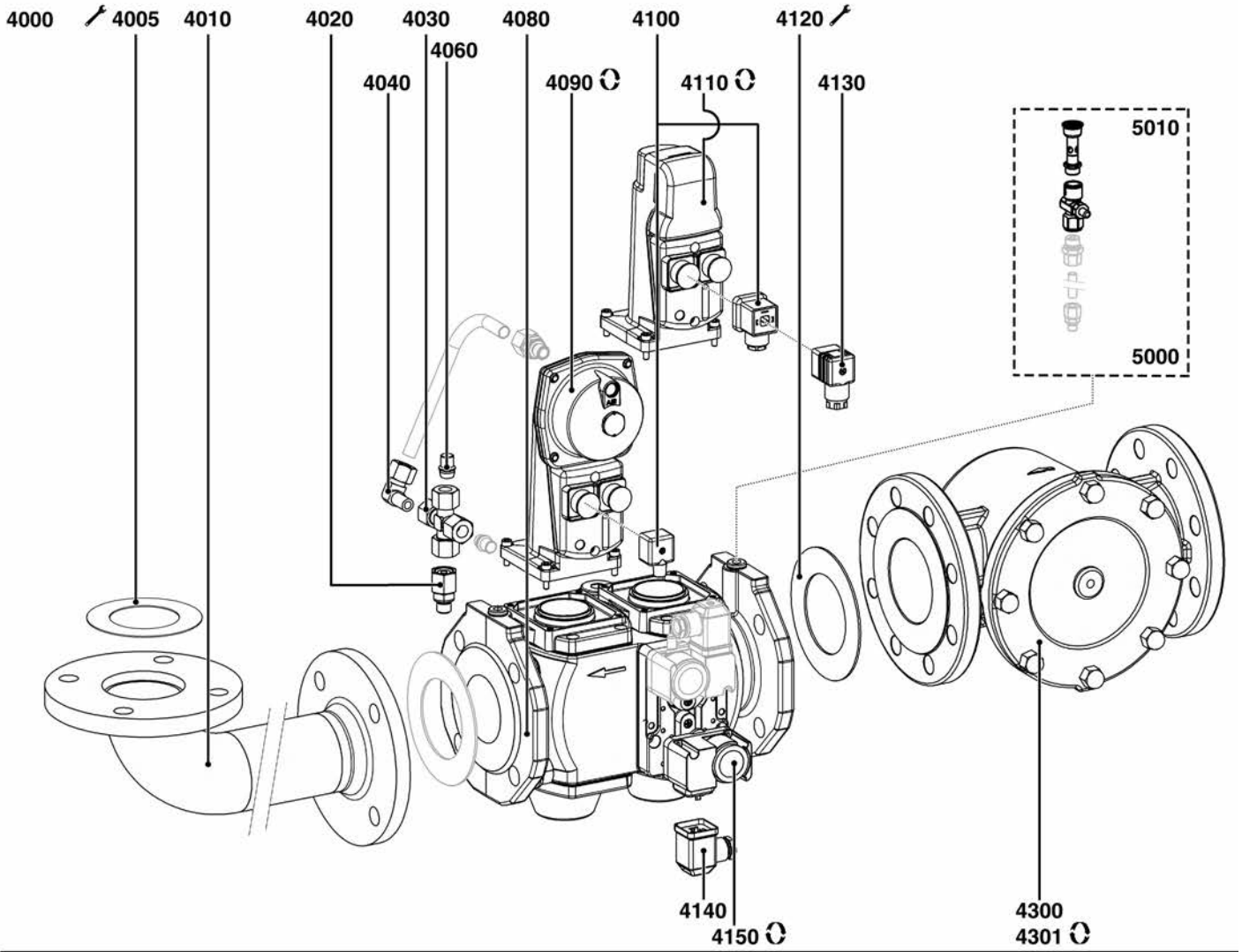
Description	Manf. Pt N	Type	<div style="display: flex; justify-content: space-between; align-items: center;"> <div style="writing-mode: vertical-rl; transform: rotate(180deg); font-size: 8px;"> EKEVO 6-2400 GL-EZ3/BT3  EKEVO 6-2900 GL-EZ3/BT3  EKEVO 7-3800 GL-EZ3/BT3  EKEVO 7-4500 GL-EZ3/BT3  GT-9451-11/12  GT-9452-2"  GT-9451-11/14  GT-9452-2"  GT-9453-65  GT-9454-80  GT-9455-100  GT-9456-125  GT-9457-65  GT-9458-80  GT-9459-100 </div> <div style="border: 1px solid black; padding: 2px; font-weight: bold; font-size: 12px;">31</div> </div>																		From	to
			1	2	3	4	5	6	7	8	9	10	11	12	13	14	15	16	17	18		
<b>2000 COMBUSTION HEAD</b>																						
2020 FLAME TUBE D262.5/320/248/270 L380	65312921		•	•																		
FLAME TUBE D262.5/320/248/270 L500	65312928		•	•																		
FLAME TUBE D262.5/320/248/270 L620	65312931		•	•																		
FLAME TUBE D323.5/270/320/270 L425	65312922				•																	
FLAME TUBE D323.5/270/320/270 L555	65312929				•																	
FLAME TUBE D323.5/270/320/270 L685	65312932				•																	
FLAME TUBE D323.5/340/260/270 L425	65312927					•																
FLAME TUBE D323.5/340/260/270 L555	65312930					•																
FLAME TUBE D323.5/340/260/270 L685	65312933					•																
2070 IGNITION CABLE FZLSI 1X1,00Q-CU/SILICONE	65313731		•	•	•	•																
2071 ROUND CONNECTOR D6.4/IGNITION CABLE	65311374		•	•	•	•																
2072 SLEEVE TYPE SUPPRESSOR	13013226		•	•	•	•																
2110 BAFFLE PLATE D240/70 12SL 6DRIL.	65311548				•																	
BAFFLE PLATE D240/70 12SL 6DRIL.+RING D2	65311567		•	•																		
BAFFLE PLATE D280/62 12SL 6DRIL.	65311861					•																
2120 NOZZLE MON 15,5GPH 60° PLP	65323478		•																			
NOZZLE MON 19,5GPH 60° PLP	65323483			•																		
NOZZLE MON 30,0GPH 60° PLP	13016145				•	•																
2130 GAS NOZZLE D25/D16	65311556		•	•																		
GAS NOZZLE D25/D18	65311562				•	•																
2140 NOZZLE STE 15,0GPH 60° SS	65312597		•																			
NOZZLE STE 18,0GPH 60° SS	65312601			•																		
NOZZLE STE 22,0GPH 60° SS	65312946				•																	
NOZZLE STE 24,0GPH 60° S	65312665					•																
2150 NOZZLE MON 19,5GPH 60° PLP	65323483		•																			
NOZZLE MON 21,5GPH 60° PLP	65323485			•																		
NOZZLE MON 30,0GPH 60° PLP	13016145				•	•																
2160 IGNITION ELECT.D9X50 D3X42 130°L150 D4	65312200		•	•	•	•																
2170 NOZZLE ROD L559	65311551		•	•																		
NOZZLE ROD L609	65312947				•	•																
NOZZLE ROD L679	65312942		•	•																		
NOZZLE ROD L729	65312949				•	•																
NOZZLE ROD L799	65312944		•	•																		
NOZZLE ROD L849	65312951				•	•																
2180 NOZZLE ROD GUIDE L482	65311550		•	•																		
NOZZLE ROD GUIDE L532	65312948				•	•																
NOZZLE ROD GUIDE L602	65312943		•	•																		
NOZZLE ROD GUIDE L652	65312950				•	•																
NOZZLE ROD GUIDE L722	65312945		•	•																		
NOZZLE ROD GUIDE L792	65312952				•	•																
2190 IGNITION ELECT.D9X50 D3X40 130°L150 D4	65312199		•	•	•	•																
2200 IGNITION ELECT.D9X50 D3X71 20° L150 D4	65310990		•	•	•	•																
2220 IGNITION ELECTRODE SUPPORT (OIL)	65311555		•	•	•	•																
2260 O-RING 6387D97,79X5,33 NBR	65311491		•	•	•	•																
2370 GASKET/GAS NOZZLE D74/45X3	65311482		•	•	•	•																
2400 O-RING D30X4	65311454		•	•	•	•																
2405 OIL TUBE 3RD STAGE	65311559		•	•	•	•																
2410 OIL TUBE 2ND STAGE	65311558		•	•	•	•																
2415 OIL TUBE 1ST STAGE	65311557		•	•	•	•																
2420 HOLDER OIL BLOCK 3 STAGES	65311554		•	•	•	•																
2425 SOLEN. VALVE PAR PM140.4 G1/4"DZH14	65311568		•	•	•	•																
2430 BLOCK OIL DISTRIBUTOR 30X30X120 3 STAGES	65311552		•	•	•	•																
2435 STRAIGHT UNION 10 L-R3/8	65311599		•	•	•	•																
2440 HOLLOW SCREW 1/4 Z	65311553		•	•	•	•																
2445 BANJO COUPLING K-SWR NW 03 HS	65312941		•	•	•	•																
2450 CONNECTOR 3-POLE/PE BLACK	65313597		•	•	•	•																
2455 SEALING RING 20,57/13,74X2,1	65312953		•	•	•	•																
<b>5000 ACCESSORY</b>																						
5001 NOZZLE MON 21,5GPH 60° PLP	65323485		•		•	•																
NOZZLE MON 24,0GPH 60° PLP	65323487		•	•	•	•																
NOZZLE MON 28,0GPH 60° PLP	13016143		•	•	•	•																
NOZZLE MON 30,0GPH 60° PLP	13016145		•	•	•	•																
NOZZLE MON 35,0GPH 60° PLP	77094388		•	•	•	•																
NOZZLE MON 40,0GPH 60° PLP	13020523		•	•	•	•																
NOZZLE STE 18,0GPH 60° SS	65312601		•		•	•																
NOZZLE STE 24,0GPH 60° S	65312665		•	•	•	•																
NOZZLE STE 30,0 GPH 60° SS	1458256915		•	•	•	•																











Description	Manf. Pt N	Type	<div style="display: flex; justify-content: space-between; align-items: center;"> <div style="writing-mode: vertical-rl; transform: rotate(180deg); font-size: 8px;"> EKEVO 6-2400 GL-EZ3/B13  EKEVO 6-2900 GL-EZ3/B13  EKEVO 7-3600 GL-EZ3/B13  EKEVO 7-4500 GL-EZ3/B13  GT-9451-1"1/2  GT-9452-2"  GT-9451-1"1/4  GT-9452-2"  GT-9453-65  GT-9454-80  GT-9455-100  GT-9456-125  GT-9457-65  GT-9458-80  GT-9459-100 </div> <div style="border: 1px solid black; padding: 2px; font-weight: bold; font-size: 12px;">31</div> </div>																		From	to
			1	2	3	4	5	6	7	8	9	10	11	12	13	14	15	16	17	18		
<b>4000 GAS TRAIN</b>																						
4005 GASKET/GASTRAIN D125/90X3	65321049									•	•	•	•									
4010 COLLECTOR DN65-DN100 PN16	65311508											•										
COLLECTOR DN65-DN125 PN16	65311509												•									
COLLECTOR DN65-DN65 PN16	65311506									•												
COLLECTOR DN65-DN80 PN16	65311494										•											
4020 STRAIGHT UNION P-EGES 12L/R 1/4WD	65311601									•	•	•	•									
4030 UNION P-KV12L	65311605									•	•	•	•									
4040 ANGLED UNION P-EWS 12 L-SS	65311603									•	•	•	•									
4060 ENDPLUG VSD 12L/S O.M.MB.	65311607									•	•	•	•									
4080 GAS VALVE VGD40 065 DN65	65323661									•												
GAS VALVE VGD40 080 DN80	65311583										•											
GAS VALVE VGD40 100 DN100	65311590											•										
GAS VALVE VGD40 125 DN125	65311453												•									
4090 GAS ACTUATOR SKP25.003E2 W.O.END SWITCH	65107100									•	•	•	•									
4100 CABLE CONNECT AGA 62 PLUG DIN L270	65311585									•	•	•	•									
4110 GAS ACTUATOR SKP15.000E2 W/O END SWITCH	1478836180									•	•	•	•									
4120 GASKET/GASTRAIN D127/77X2 DN65	65311611									•												
GASKET/GASTRAIN D142/90X2 DN80	65311612										•											
GASKET/GASTRAIN D162/115X2 DN100	65311613											•										
GASKET/GASTRAIN D192/141X2 DN125	65311614												•									
GASKET/GASTRAIN D218/169X2 DN150	65311342													•								
4130 FEMALE CONNECTOR AGA64	65311586									•	•	•	•									
4140 CONNECTOR GDMW 30-11 DF	65311615									•	•	•	•									
4150 GAS PRESS.SWITCH GW 150 A6 10-150MB DIN	65311597	30-150mb								•	•	•	•									
GAS PRESS.SWITCH GW 500 A5 100-500MB	13010091	30-500mb								•	•	•	•									
4300 GAS FILTER GF100MF-3232-A-1 DN100 1BAR	65311462									•	•	•	•									
GAS FILTER GF125MF-4040-A-1 DN125 1BAR	65311463									•	•	•	•									
GAS FILTER GF150MF-4848-A-1 DN150 1BAR	65311892									•	•	•	•									
GAS FILTER GF65MF-2020-A-1 DN65 1BAR	65311460									•												
GAS FILTER GF80MF-2424-A-1 DN80 1BAR	65311461									•												
4301 STRAINER ELEMENT GF100MF	65311889									•	•	•										
STRAINER ELEMENT GF125MF	65311890									•	•	•	•									
STRAINER ELEMENT GF150MF	65311623									•	•	•	•									
STRAINER ELEMENT GF65MF	65311723									•												
STRAINER ELEMENT GF80MF	65311888									•	•											
<b>4500 GAS TRAIN</b>																						
4505 GASKET/GASTRAIN D125/90X3	65321049												•	•	•							
4510 COLLECTOR DN65-DN100 PN16	65311508													•								
COLLECTOR DN65-DN65 PN16	65311506														•							
COLLECTOR DN65-DN80 PN16	65311494															•						
4520 STRAIGHT UNION P-EGES 12L/R 1/4WD	65311601												•	•	•							
4530 T-UNION P-TV 12 L	65311344												•	•	•							
4560 ENDPLUG VSD 12L/S O.M.MB.	65311607												•	•	•							
4580 GAS VALVE MBC1900 SE DN65 40-80MBAR	65311844													•								
GAS VALVE MBC3100 SE DN80 40-80 MBAR	65311845														•							
GAS VALVE MBC5000 SE DN100 40-80 MBAR	65311846															•						
4620 GASKET/GASTRAIN D127/77X2 DN65	65311611												•									
GASKET/GASTRAIN D142/90X2 DN80	65311612													•								
GASKET/GASTRAIN D162/115X2 DN100	65311613															•						
GASKET/GASTRAIN D192/141X2 DN125	65311614																•					
GASKET/GASTRAIN D218/169X2 DN150	65311342																	•				
4640 GAS PRESS.SWITCH GW 150 A6 10-150MB DIN	65311597	30-150mb												•	•	•						
GAS PRESS.SWITCH GW 500 A5 100-500MB	13010091	30-500mb												•	•	•						
4650 CONNECTOR GDMW 30-11 DF	65311615													•	•	•						
4800 GAS FILTER GF100MF-3232-A-1 DN100 1BAR	65311462													•	•	•						
GAS FILTER GF125MF-4040-A-1 DN125 1BAR	65311463													•	•	•						
GAS FILTER GF150MF-4848-A-1 DN150 1BAR	65311892													•	•	•						
GAS FILTER GF65MF-2020-A-1 DN65 1BAR	65311460														•							
GAS FILTER GF80MF-2424-A-1 DN80 1BAR	65311461															•						
4801 STRAINER ELEMENT GF100MF	65311889													•	•	•						
STRAINER ELEMENT GF125MF	65311890													•	•	•						
STRAINER ELEMENT GF150MF	65311623													•	•	•						
STRAINER ELEMENT GF65MF	65311723														•							
STRAINER ELEMENT GF80MF	65311888														•	•						
<b>5000 ACCESSORY</b>																						
5010 TRIAL BURNER WITH PUSH-BUTTON PB2	65311362									•	•	•	•	•	•	•						

CB-EKEVO6/7 GL-EZ3




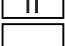

Dual-Fuel burner


		DE NL	FR ES	IT	X
1020	65312332	HAUBE LUFTANSAUGKASTEN KAP/LUCHTKAST	CAPOT/BOITE A AIR CUBIERTA/CAJA DE AIRE	COPERCHIO/SCATOLA DELL'ARIA	1
1030	65312333	DÄMMSTOFFFORMTEIL GELUIDSSISOLATIE/LUCHTKAST	ISOLATION PHONIQUE/BOITE A AIR AISLAMIENTO/CAJA DE AIRE	ISOLAMENTO FONICO/SCATOLA DELL'ARIA	1
1040	65311474	ANSAUGTRICHTER LUCHTGELEIDER	GUIDE AIR CANALIZACIÓN AIRE	GUIDA ARIA	1
	65311490	ANSAUGTRICHTER LUCHTGELEIDER	GUIDE AIR CANALIZACIÓN AIRE	GUIDA ARIA	1
1050	1180603227	SCHAUGLAS F.MONOBL.KLAR D55X21 KLEURLOOS KIJKGLAS D55X21	VERRE DE REGARD D55x21 CLAIR MIRILLA INCOLORA D55X21	SPIONCINO INCOLORE D55X21	1
1060	1188052260	SCHAUGLASDECKEL Z.MONOBL.55X61 DEKSEL/KIJKGLAS D55X61	CACHE REGARD D55X61 TAPA/MIRILLA D55X61	COPERCHIO/SPIONCINO D55X61	1
1070	1180559591	MUTTER SCHAUGLAS M48X1,5 SW60 MOER/KIJKGLAS M48X1,5 SW60	ECROU REGARD M48X1,5 SW60 TUERCA/MIRILLA M48X1,5 SW60	DADO/SPIONCINO M48X1,5 SW60	1
1080	65311473	VENTILATORRAD D450/252X90-D38+ENTSCH.D58 VENTILATORWIEL D450/252X90 D38+PLATE D58	TURBINE D450/252X90 D38+PLAQUE D58/12 TURBINA D450/252X90 D38+PLACA D58/12	VENTOLA D450/252X90 D38+PIASTRA D58/12	1
	65311489	VENTILATORRAD D438/225X89-D28+ENTSCH.D58 VENTILATORWIEL D438/225X89 D28+PLATE D58	TURBINE D438/225X89 D28+PLAQUE D58/12 TURBINA D438/225X89 D28+PLACA D58/12	VENTOLA D438/225X89 D28+PIASTRA D58/12	1
	65311500	VENTILATORRAD D415/225X84-D28+ENTSCH.D58 VENTILATORWIEL D415/225X84-D28+PLAAT D58	TURBINE D415/225X84 D28+PLAQUE D58/12 TURBINA D415/225X84 D28+PLACA D58/12	VENTOLA D415/225X84 D28+PIASTRA D58/12	1
	65311822	VENTILATORRAD D485/252X102-D38+ENTSC.D58 VENTILATORWIEL D485/252X102D38+PLATE D58	TURBINE D485/252X102 D38+PLAQUE D58/12 TURBINA D485/252X102 D38+PLACA D58/12	VENTOLA D485/252X102 D38+PIASTRA D58/12	1
1085	65310925	ZUENDTRAF0 EBI 2X7,5 230V ONTSTEKINGSTRAFO EBI 2X7,5 230V	ALLUMEUR EBI 2X7,5 230V ENCENDEDOR EBI 2X7,5 230V	TRASFORMATORE ACCENSIONE EBI 2X7,5 230V	1
1090	65311471	ZUENDTRAF0 EBI 1X11 230V ONTSTEKINGSTRAFO EBI 1X11 230V	ALLUMEUR EBI 1X11 230V ENCENDEDOR EBI 1X11 230V	TRASFORMATORE ACCENSIONE EBI 1X11 230V	1
1093	65313375	KLAMMER D22.5 ZU FOTOZELLE RAR 7/QRA 2 STIJGBEUGEL FOTOCEL D22.5 RAR 7/QRA 2	ETRIER CELLULE D22.5 POUR RAR 7/QRA 2 ESTRIBO CELULA D22.5 PARA RAR 7/QRA 2	STAFFA FOTOCELLULA D22.5 PER RAR7/QRA2	1
1094	65312311	FLANSCH FOTOZELLENHALTER D22.5 ALU FOTOCEL STEUN	SUPPORT CELLULE SOPORTE CELULA	SUPPORTO FOTOCELLULA	1
1095	1758106258	UV-ZELLE QRA-2 O.KABEL FOTOCEL QRA 2	CELLULE QRA 2 CELULA QRA 2	CELLULA QRA 2	1
1100	65311472	SICHTSPIEGEL FÜR SCHAUGLAS SPIEGEL/KIJKGLAS	MIROIR/REGARD ESPEJO/MIRILLA	SPECCHIO/SPIONCINO	1
1110	65311595	DRUCKWAECHTER LGW 50 A2P 2,5-50MBAR LUCHTDRIUKSCHAKELAAR LGW 50 A2P 2,5-50MB	MANOSTAT AIR LGW 50 A2P 2,5-50MB PRESOSTATO AIRE LGW 50 A2P 2,5-50MB	PRESSOSTATO ARIA LGW 50 A2P 2,5-50MB	1
1120	65312321	GASKLAPPE+SCHRITTMOTOR BG GASKLEP+SERVOMOTOR EQ.	CLAPET GAZ+SERVOMOTEUR EQ. VALVULA DEL GAS+SERVOMOTOR EQ.	VALVOLA DEL GAS+SERVOMOTORE COMPL.	1
1121	65312322	GASKLAPPE BG GASKLEP EQ.	CLAPET GAZ EQ. VALVULA DEL GAS EQ.	VALVOLA GAS COMPL.	1
1122	65312323	GASSTELLANTRIEB BG STE4.5 B037/6-R 0,8NM SERVOMOT. GAS KPL.STE4.5 B037/6-R 0,8 NM	SERVOMOT. GAZ CPL.STE4.5 B037/6-R 0,8NM SERVOMOT. GAS EQ. STE4.5 B037/6-R 0,8NM	SERVOMOT. GAS EQ. STE4.5 B037/6-R 0,8 NM	1
1123	65312458	KABELDURCHFUEHRUNG DIM.34X15/12 D.6,2 DRAADDORVOER DIM.34X15/12 D.6,2	PASSE-FIL DIM.34X15/12 D.6,2 PASACABLE DIM.34X15/12 D.6,2	PASSA FILO DIM.34X15/12 D.6,2	1
1150	65311650	STELLANTRIEB STE4,5 Q3.51/6 3NM R(BT3XX) SERVOMOTOR STE4,5 Q3.51/6 3NM R (BT3XX)	SERVOMOTEUR STE4,5 Q3.51/6 3NM R (BT3XX) SERVOMOTOR STE4,5 Q3.51/6 3NM R (BT3XX)	SERVOMOTORE STE4,5 Q3.51/6 3NM R (BT3XX)	1
1160	65300980	STELLANTRIEB STE 4,5 B037/6 R SERVOMOTOR STE 4,5 B037/6 R	SERVOMOTEUR STE 4,5 B037/6 R SERVOMOTOR STE 4,5 B037/6 R	SERVOMOTORE STE 4,5 B037/6 R	1
1161	65312327	HAUBE F. SCHRITTMOTOR KAP SERVOMOTOR	CAPOT SERVOMOTEUR CUBIERTA SERVOMOTOR	COPERCHIO SERVOMOTORE	1
1170	65312555	MOTOR 3,0KW 230/400V D28 IE2 SCHWARZ MOTOR 3,0KW 230/400V D28 IE2 ZWART	MOTEUR 3,0KW 230/400V D28 IE2 NOIR MOTOR 3,0KW 230/400V D28 IE2 NEGRO	MOTORE 3,0KW 230/400V D28 IE2 NERO	1
	65312556	MOTOR 4,0KW 400/690V D28 IE2 SCHWARZ MOTOR 4,0KW 400/690V D28 IE2 ZWART	MOTEUR 4,0KW 400/690V D28 IE2 NOIR MOTOR 4,0KW 400/690V D28 IE2 NEGRO	MOTORE 4,0KW 400/690V D28 IE2 NERO	1
	65312557	MOTOR 5,5KW 400/690V D38 IE2 SCHWARZ MOTOR 5,5KW 400/690V D38 IE2 ZWART	MOTEUR 5,5KW 400/690V D38 IE2 NOIR MOTOR 5,5KW 400/690V D38 IE2 NEGRO	MOTORE 5,5KW 400/690V D38 IE2 NERO	1
	65312558	MOTOR 7,5KW 400/690V D38 IE3 SCHWARZ MOTOR 7,5KW 400/690V D38 IE3 ZWART	MOTEUR 7,5KW 400/690V D38 IE3 NOIR MOTOR 7,5KW 400/690V D38 IE3 NEGRO	MOTORE 7,5KW 400/690V D38 IE3 NERO	1
1171	65312703	KABELVERSCHRAUBUNG M25X1,5 POLYAMID SW. PAKKINGBUS M25X1,5 POLYAMIDE ZWART	PRESSE-ETOUPE M25X1,5 POLYAMIDE NOIR PRENSAESTOPAS M25X1,5 POLIAMIDA NEGRO	PREMISTOPPA M25X1,5 POLIAMMIDE NERO	1
	65313740	KABELVERSCHRAUBUNG M20X1,5 POLYAMID SW. PAKKINGBUS M20X1,5 POLYAMIDE ZWART	PRESSE-ETOUPE M20X1,5 POLYAMIDE NOIR PRENSAESTOPAS M20X1,5 POLIAMIDA NEGRO	PREMISTOPPA M20X1,5 POLIAMMIDE NERO	1
1200	65312328	LUFTKLAPPE BG COMPLETE LUCHTKLEP	VOLET D'AIR EQUIPE VÁLVULA DE AIRE EQUIPADA	SERRANDA DELL'ARIA EQUIPAGGIATA	1
1201	65312331	ANTRIEBHABEL/LUFTKLAPPE AANDRIJHENDEL/LUCHTKLEP	LEVIER ENTRAINEMENT/VOLET AIR PALANCA DE ACCIONAMIENTO/VÁLVULA AIRE	LEVA AZIONAMENTO/SERRANDA DELL'ARIA	1
1202	65312330	GELENKSTANGE D10X145 M6 LUFTKLAPPE DRIJFSTANG D10X145 M6 LUCHTKLEP	BIELLETTTE D10X145 M6 VOLET AIR BIELETA D10X145 M6 VALVULA AIRE	BIELLA D10X145 M6 SERRANDA ARIA	1
1203	65312329	WELLE / LUFTKLAPPE D34/25X100 FLAT L55 AS / LUCHTKLEP D34/25X100 FLAT L55	AXE / VOLET AIR D34/25X100 PLAT L55 EJE / VALVULA AIRE D34/25X100 FLAT L55	PERNO/SERRANDA ARIA D34/25X100 PIATO L55	1
1204	65312459	WELLE / LUFTKLAPPE D34/25X100 M.ZEIGER AS / LUCHTKLEP D34/25X100 W.POINTER	AXE / VOLET AIR D34/25X100 AV.INDEX EJE / VALVULA AIRE D34/25X100 W.POINTER	PERNO/SERRANDA ARIA D34/25X100 C.INDICE	1

	XXXXXXXX	DE	FR	IT	X
		NL	ES		
1510	65312340	BRENNERSCHRANKHAUBE KAP ELEKTRISCHE KAST	CAPOT ARMOIRE ELEC. CUBIERTA ARMARIO ELÉCTRICO	COPERCHIO ARMADIO ELETTRICO	1
1512	65312338	BLINDDECKEL/REGLER 92X45 IP54 AFSLUITER/REGELAAR 92X45 IP54	OBTURATEUR REGULATEUR 92X45 IP54 CONJUNTO/REGULADOR 92X45 IP54	OTTURATORE/REGOLATORE 92X45 IP54	1
1520	65326712	ANZEIGE FÜR FEUERUNGSAUTOMAT BT3XX DISPLAY VOOR BRANDERAUTOMAAT BT3XX	AFFICHEUR POUR COFFRET BT3XX PANTALLA PARA PROGRAMADOR BT3XX	DISPLAY PER APPARECCHIATURA BT3XX	1
1525	65311364	DICHTUNG/EINZEIGE 152/140X80/70X2 PAKKING/DISPLAY 152/140X80/70X2	JOINT/AFFICHEUR 152/140X80/70X2 JUNTA/PANTALLA 152/140X80/70X2	GUARNIZIONE/DISPLAY 152/140X80/70X2	1
1530	65312900	FEUERUNGSAUTOMAT BT340 GLEZ3 BASISINST. BRANDERAUT. BT340 GLEZ3 BASIS AFSTELLING	COFFRET BT340 GLEZ3 REGLAGE DE BASE PROGRAMADOR BT340 GLEZ3 CONFIGUR. BÁSICA	APPARECCH. BT340 GLEZ3 REGOL. BASE	1
1540	65311790	LCM100 (LSB-M 667R0500-1) LCM100-MODULE (LSB-M 667R0500-1)	MODULE LCM100 (LSB-M 667R0500-1) MÓDULO LCM100 (LSB-M 667R0500-1)	MODULO LCM100 (LSB-M 667R0500-1)	1
1550	65311791	DFM300 (LSB-M 667R0600-1) DFM300-MODULE (LSB-M 667R0600-1)	MODULE DFM300 (LSB-M 667R0600-1) MÓDULO DFM300 (LSB-M 667R0600-1)	MODULO DFM300 (LSB-M 667R0600-1)	1
1580	65311776	MOTORSCHUTZSCHALTER 7,5kW GV2ME20 VERMOGENSCHAKEL. MOTOR 7,5 kW GV2ME20	DISJONCTEUR MOTEUR 7,5 kW GV2ME20 INTERRUPTOR MOTOR 7,5 kW GV2ME20	INTERRUTTORE MOTORE 7,5 kW GV2ME20	1
	65311794	MOTORSCHUTZSCHALTER 3-4KW GV2ME14 VERMOGENSCHAKEL. MOTOR 3-4KW GV2ME14	DISJONCTEUR MOTEUR 3-4KW GV2ME14 INTERRUPTOR MOTOR 3-4KW GV2ME14	INTERRUTTORE MOTORE 3-4KW GV2ME14	1
	65312033	MOTORSCHUTZSCHALTER 5,5kW GV2ME16 VERMOGENSCHAKEL. MOTOR 5,5kW GV2ME16	DISJONCTEUR MOTEUR 5,5kW GV2ME16 INTERRUPTOR MOTOR 5,5kW GV2ME16	INTERRUTTORE MOTORE 5,5kW GV2ME16	1
1585	65311945	MOTORSCHUTZSCHALTER 0,75kW GV2ME07 VERMOGENSCHAKEL. MOTOR 0,75kW GV2ME07	DISJONCTEUR MOTEUR 0,75kW GV2ME07 INTERRUPTOR MOTOR 0,75kW GV2ME07	INTERRUTTORE MOTORE 0,75kW GV2ME07	1
	65312919	MOTORSCHUTZSCHALTER 0,55kW GV2ME06 VERMOGENSCHAKEL. MOTOR 0,55kW GV2ME06	DISJONCTEUR MOTEUR 0,55kW GV2ME06 INTERRUPTOR MOTOR 0,55kW GV2ME06	INTERRUTTORE MOTORE 0,55kW GV2ME06	1
1586	65311795	HILFSSCHALTER GVAE11 HULPSCHAKELAAR GVAE11	CONTACT AUXILIAIRE GVAE11 INTERRUPTOR AUXILIAR GVAE11	INTERRUTTORE AUSILIARIO GVAE11	1
1595	65311793	MOTORSCHUETZ SCH D 3-4KW LC1D09P7 CONTACT MOTOR SCH D 3-4kW LC1D09P7	CONTACTEUR MOTEUR SCH D 3-4kW LC1D09P7 CONTACTOR DE MOTOR SCH D 3-4kW LC1D09P7	CONTATTORE MOTORE SCH D 3-4kW LC1D09P7	1
1596	65311793	MOTORSCHUETZ SCH D 3-4KW LC1D09P7 CONTACT MOTOR SCH D 3-4kW LC1D09P7	CONTACTEUR MOTEUR SCH D 3-4kW LC1D09P7 CONTACTOR DE MOTOR SCH D 3-4kW LC1D09P7	CONTATTORE MOTORE SCH D 3-4kW LC1D09P7	1
	65311947	MOTORSCHUETZ SCH D 3-7,5KW LC1D18P7 CONTACT MOTOR SCH D 3-7,5kW LC1D18P7	CONTACTEUR MOTEUR SCH D 3-7,5kW LC1D18P7 CONTACTOR MOTOR SCH D 3-7,5kW LC1D18P7	CONTATTORE MOTORE SCH D 3-7,5kW LC1D18P7	1
	65312032	MOTORSCHUETZ SCH D 5,5kW LC1D12P7 CONTACT MOTOR SCH D 5,5kW LC1D12P7	CONTACTEUR MOTEUR SCH D 5,5kW LC1D12P7 CONTACTOR DE MOTOR SCH D 5,5kW LC1D12P7	CONTATTORE MOTORE SCH D 5,5kW LC1D12P7	1
1600	65312334	BRENNERSCHRANK KONTROLLEUCHE CONTROLELAMPE ELEKTRISCHE KAST	VOYANT ARMOIRE ELECTRIQUE TESTIGO ARMARIO ELÉCTRICO	SPIA ARMADIO ELETTRICO	1
1601	65313828	3-STELL. DRUCKSCHALTER MOMENTANE SCHAKELAAR 3 POS.	INTERRUPTEUR 3 POS. INSTANTANE INTERRUPTOR DE ACCIÓN INSTANTÁN. 3 POS.	INTERRUTTORE 3 POS. INSTANTANEA	1
1602	65312335	2-STELL. KIPPSCHALTER SCHAKELAAR 2 POS.	INTERRUPTEUR 2 POS. INTERRUPTOR 2 POS.	INTERRUTTORE 2 POS.	1
1610	65311758	KABELVERSCHRAUBUNG M20 PAKKINGBUS M20	PRESSE-ETOUPE M20 PRENSAESTOPAS M20	PREMISTOPPA M20	1
1611	65311451	KABELVERSCHRAUBUNG M16 PAKKINGBUS M16	PRESSE-ETOUPE M16 PRENSAESTOPAS M16	PREMISTOPPA M16	1
1612	65312852	KABELVERSCHRAUBUNG CLICK M25 PAKKINGBUS CLICK M25	PRESSE-ETOUPE CLICK M25 PRENSAESTOPAS CLICK M25	PREMISTOPPA CLICK M25	1
1613	65311789	ADAPTER BT300/DFM300 RAST5 ADAPTER BT300/DFM300 RAST5	ADAPTEUR BT300/DFM300 RAST5 ADAPTADOR BT300/DFM300 RAST5	ADATTATORE BT300/DFM300 RAST5	1
1700	65311446	WAG BETAETIGUNGSWERKZEUG 2009-309 BEDIENINGSGEREEDSCHAP WAG 2009-309	OUTIL DE MANOEUVRE WAG 2009-309 HERRAMIENTA D.ACCIONAM. WAG 2009-309	DISPOSITIVO DI MANOVRA WAG 2009-309	1
1730	65311792	RELAIS FIN 38.61.8.240.0060 KLL-1W FZ RELAIS FIN 38.61.8.240.0060 KLL-1W FZ	RELAIS FIN 38.61.8.240.0060 KLL-1W FZ RELE FIN 38.61.8.240.0060 KLL-1W FZ	RELE FIN 38.61.8.240.0060 KLL- 1W FZ	1
2020	65312921	BRENNERROHR D262.5/320/248/270 L380 BRANDERBUIS D262.5/320/248/270 L380	TUBE DE FLAMME D262.5/320/248/270 L380 TUBO DE LLAMA D262.5/320/248/270 L380	BOCCAGLIO D262.5/320/248/270 L380	1
	65312922	BRENNERROHR D323.5/270/320/270 L425 BRANDERBUIS D323.5/270/320/270 L425	TUBE DE FLAMME D323.5/270/320/270 L425 TUBO DE LLAMA D323.5/270/320/270 L425	BOCCAGLIO D323.5/270/320/270 L425	1
	65312927	BRENNERROHR D323.5/340/260/270 L425 BRANDERBUIS D323.5/340/260/270 L425	TUBE DE FLAMME D323.5/340/260/270 L425 TUBO DE LLAMA D323.5/340/260/270 L425	BOCCAGLIO D323.5/340/260/270 L425	1
	65312928	BRENNERROHR D262.5/320/248/270 L500 BRANDERBUIS D262.5/320/248/270 L500	TUBE DE FLAMME D262.5/320/248/270 L500 TUBO DE LLAMA D262.5/320/248/270 L500	BOCCAGLIO D262.5/320/248/270 L500	1
	65312929	BRENNERROHR D323.5/270/320/270 L555 BRANDERBUIS D323.5/270/320/270 L555	TUBE DE FLAMME D323.5/270/320/270 L555 TUBO DE LLAMA D323.5/270/320/270 L555	BOCCAGLIO D323.5/270/320/270 L555	1
	65312930	BRENNERROHR D323.5/340/260/270 L555 BRANDERBUIS D323.5/340/260/270 L555	TUBE DE FLAMME D323.5/340/260/270 L555 TUBO DE LLAMA D323.5/340/260/270 L555	BOCCAGLIO D323.5/340/260/270 L555	1
	65312931	BRENNERROHR D262.5/320/248/270 L620 BRANDERBUIS D262.5/320/248/270 L620	TUBE DE FLAMME D262.5/320/248/270 L620 TUBO DE LLAMA D262.5/320/248/270 L620	BOCCAGLIO D262.5/320/248/270 L620	1
	65312932	BRENNERROHR D323.5/270/320/270 L685 BRANDERBUIS D323.5/270/320/270 L685	TUBE DE FLAMME D323.5/270/320/270 L685 TUBO DE LLAMA D323.5/270/320/270 L685	BOCCAGLIO D323.5/270/320/270 L685	1
	65312933	BRENNERROHR D323.5/340/260/270 L685 BRANDERBUIS D323.5/340/260/270 L685	TUBE DE FLAMME D323.5/340/260/270 L685 TUBO DE LLAMA D323.5/340/260/270 L685	BOCCAGLIO D323.5/340/260/270 L685	1
2070	65313731	KABEL FZLSI 1X1,00Q-CU/SILIKON ONTSTEKINGSKAB.FZLSI 1X1,00Q-CU/SILICONE	CABLE ALLUMAGE FZLSI 1X1,00Q-CU/SILICONE CABLE ENCENDI. FZLSI 1X1,00Q-CU/SILICONA	CAVO ACCENSIO. FZLSI 1X1,00Q-CU/SILICONE	1

					
		DE NL	FR ES	IT	X 
2071	65311374	RUNDSTECKER D6.4/ZUENDKABEL RONDJE CONNECTOR D6.4/ONTSTEKINGSKABEL	CONNECTEUR ROND D.6.4/CABLE ALLUMAGE CONECTOR REDONDO D6.4/CABLE ENCENDIDO	CONNETTORE ROTONDO D6.4/CAVO ACCENSIONE	1
2072	13013226	ENTSTOERMUFFE ONTSTORINGSMANTEL	RESISTANCE ANTI-PARASITE MANGUITO ANTIPARASITARIO	SOPPRESSORE A MANICOTTO	1
2110	65311548	STAUSCHEIBE D240/70 12SL 6DRIL. STUWPLAAT D240/70 12SL 6DRIL.	DEFLECTEUR D240/70 12SL 6DRIL. DEFLECTOR D240/70 12SL 6DRIL.	DIFFUSORE D240/70 12SL 6DRIL.	1
	65311567	STAUSCHEIBE D240/70 12SL 6DRIL.+RING D2 STUWPLAAT D240/70 12SL 6DRIL.+RING D2	DEFLECTEUR D240/70 12SL 6DRIL.+RING D2 DEFLECTOR D240/70 12SL 6DRIL.+RING D2	DIFFUSORE D240/70 12SL 6DRIL.+RING D2	1
	65311861	STAUSCHEIBE D280/62 12SL 6DRIL. STUWPLAAT D280/62 12SL 6DRIL.	DEFLECTEUR D280/62 12SL 6DRIL. DEFLECTOR D280/62 12SL 6DRIL.	DIFFUSORE D280/62 12SL 6DRIL.	1
2120	13016145	DUESE MON 30,0GPH 60° PLP SPROEIER MON 30,0GPH 60° PLP	GICLEUR MON 30,0GPH 60° PLP BOQUILLA MON 30,0GPH 60° PLP	UGELLO MON 30,0GPH 60° PLP	1
	65323478	DUESE MON 15,5GPH 60° PLP SPROEIER MON 15,5GPH 60° PLP	GICLEUR MON 15,5GPH 60° PLP BOQUILLA MON 15,5GPH 60° PLP	UGELLO MON 15,5GPH 60° PLP	1
	65323483	DUESE MON 19,5GPH 60° PLP SPROEIER MON 19,5GPH 60° PLP	GICLEUR MON 19,5GPH 60° PLP BOQUILLA MON 19,5GPH 60° PLP	UGELLO MON 19,5GPH 60° PLP	1
2130	65311556	GASDUESE D25/D16 GAS NOZZLE D25/D16	DIFFUSEUR GAZ D25/D16 DIFUSOR GAS D25/D16	INIETTORE GAS D25/D16	1
	65311562	GASDUESE D25/D18 GAS NOZZLE D25/D18	DIFFUSEUR GAZ D25/D18 DIFUSOR GAS D25/D18	INIETTORE GAS D25/D18	1
2140	65312597	DUESE STE 15,0GPH 60° SS SPROEIER STE 15,0GPH 60° SS	GICLEUR STE 15,0GPH 60° SS BOQUILLA STE 15,0GPH 60° SS	UGELLO STE 15,0GPH 60° SS	1
	65312601	DUESE STE 18,0GPH 60° SS SPROEIER STE 18,0GPH 60° SS	GICLEUR STE 18,0GPH 60° SS BOQUILLA STE 18,0GPH 60° SS	UGELLO STE 18,0GPH 60° SS	1
	65312665	DUESE STE 24,0GPH 60° S SPROEIER STE 24,0GPH 60° S	GICLEUR STE 24,0GPH 60° S BOQUILLA STE 24,0GPH 60° S	UGELLO STE 24,0GPH 60° S	1
	65312946	DUESE STE 22,0GPH 60° SS SPROEIER STE 22,0GPH 60° SS	GICLEUR STE 22,0GPH 60° SS BOQUILLA STE 22,0GPH 60° SS	UGELLO STE 22,0GPH 60° SS	1
2150	13016145	DUESE MON 30,0GPH 60° PLP SPROEIER MON 30,0GPH 60° PLP	GICLEUR MON 30,0GPH 60° PLP BOQUILLA MON 30,0GPH 60° PLP	UGELLO MON 30,0GPH 60° PLP	1
	65323483	DUESE MON 19,5GPH 60° PLP SPROEIER MON 19,5GPH 60° PLP	GICLEUR MON 19,5GPH 60° PLP BOQUILLA MON 19,5GPH 60° PLP	UGELLO MON 19,5GPH 60° PLP	1
	65323485	DUESE MON 21,5GPH 60° PLP SPROEIER MON 21,5GPH 60° PLP	GICLEUR MON 21,5GPH 60° PLP BOQUILLA MON 21,5GPH 60° PLP	UGELLO MON 21,5GPH 60° PLP	1
2160	65312200	ZUENDELEKTRODE D9X50 D3X42 130° L 150 D4 ONTSTEKINGSPEN D9X50 D3X42 130°L150 D4	ELECT.ALLUM. D9X50 D3X42 130° L 150 D4 ELECTRODO ENC. D9X50 D3X42 130°L150 D4	ELETTRODO ACC.D9X50 D3X42 130° L 150 D4	1
2170	65311551	D-STANGE L559 SPROEIERLIJNE L559	LIGNE GICLEUR L559 LÍNEA DE BOQUILLA L559	LINEA UGELLO L559	1
	65312942	D-STANGE L679 SPROEIERLIJNE L679	LIGNE GICLEUR L679 LÍNEA DE BOQUILLA L679	LINEA UGELLO L679	1
	65312944	D-STANGE L799 SPROEIERLIJNE L799	LIGNE GICLEUR L799 LÍNEA DE BOQUILLA L799	LINEA UGELLO L799	1
	65312947	D-STANGE L609 SPROEIERLIJNE L609	LIGNE GICLEUR L609 LÍNEA DE BOQUILLA L609	LINEA UGELLO L609	1
	65312949	D-STANGE L729 SPROEIERLIJNE L729	LIGNE GICLEUR L729 LÍNEA DE BOQUILLA L729	LINEA UGELLO L729	1
	65312951	D-STANGE L849 SPROEIERLIJNE L849	LIGNE GICLEUR L849 LÍNEA DE BOQUILLA L849	LINEA UGELLO L849	1
2180	65311550	FÜHRUNG D-STANGE L482 GIDS SPROEIERLIJNE L482	GUIDE LIGNE GICLEUR L482 GUÍA LÍNEA DE BOQUILLA L482	GUIDA LINEA UGELLO L482	1
	65312943	FÜHRUNG D-STANGE L602 GIDS SPROEIERLIJNE L602	GUIDE LIGNE GICLEUR L602 GUÍA LÍNEA DE BOQUILLA L602	GUIDA LINEA UGELLO L602	1
	65312945	FÜHRUNG D-STANGE L722 GIDS SPROEIERLIJNE L722	GUIDE LIGNE GICLEUR L722 GUÍA LÍNEA DE BOQUILLA L722	GUIDA LINEA UGELLO L722	1
	65312948	FÜHRUNG D-STANGE L532 GIDS SPROEIERLIJNE L532	GUIDE LIGNE GICLEUR L532 GUÍA LÍNEA DE BOQUILLA L532	GUIDA LINEA UGELLO L532	1
	65312950	FÜHRUNG D-STANGE L652 GIDS SPROEIERLIJNE L652	GUIDE LIGNE GICLEUR L652 GUÍA LÍNEA DE BOQUILLA L652	GUIDA LINEA UGELLO L652	1
	65312952	FÜHRUNG D-STANGE L792 GIDS SPROEIERLIJNE L792	GUIDE LIGNE GICLEUR L792 GUÍA LÍNEA DE BOQUILLA L792	GUIDA LINEA UGELLO L792	1
2190	65312199	ZUENDELEKTRODE D9X50 D3X40 130° L 150 D4 ONTSTEKINGSPEN D9X50 D3X40 130°L150 D4	ELECT.ALLUM. D9X50 D3X40 130° L 150 D4 ELECTRODO ENC. D9X50 D3X40 130°L150 D4	ELETTRODO ACC.D9X50 D3X40 130° L 150 D4	1
2200	65310990	ZUENDELEKTRODE D9X50 D3X71 20° L150 D4 ONTSTEKINGSPEN D9X50 D3X71 20° L150 D4	ELECTRODE ALL.D9X50 D3X71 20° L150 D4 ELECTROD.ENCEN.D9X50 D3X71 20° L150 D4	ELETTROD.ACCEN.D9X50 D3X71 20° L150 D4	1
2220	65311555	HALTER FÜR ZÜNDELEKTRODEN (OEL) STEUN ONTSTEKINGSPEN (OLIE)	SUPPORT ELECTRODE ALLUMAGE (FIOUL) SOPORTE ELECTRODO ENCENDIDO (GASOLEO)	SUPPORTO ELETTRODO ACCENSIONE (GASOLIO)	1
2260	65311491	O-RING 6387D97,79X5,33 NBR O-RING 6387D97,79X5,33 NBR	O-RING 6387D97,79X5,33 NBR O-RING 6387D97,79X5,33 NBR	O-RING 6387D97,79X5,33 NBR	1
2370	65311482	DICHTUNG/GASDUESE D74/45X3 PAKKING/GAS NOZZLE D74/45X3	JOINT/DIFFUSEUR GAZ D74/45X3 JUNTA/DIFUSOR GAS D74/45X3	GUARNIZIONE/INIETTORE GAS D74/45X3	1
2400	65311454	O-RING D30X4 O-RING D30X4	O-RING D30X4 O-RING D30X4	O-RING D30X4	1

☞	XXXXXXXX	DE	FR	IT	X
		NL	ES		
2405	65311559	OELROHR STUFE 3 OLIE BUIS 3° TRAP	TUBE FIOUL 3EME ALLURE TUBERIA GASOLEO 3A ETAPA	TUBO GASOLIO STADIO 3	1
2410	65311558	OELROHR STUFE 2 OLIE BUIS 2° TRAP	TUBE FIOUL 2EME ALLURE TUBERIA GASOLEO 2A ETAPA	TUBO GASOLIO STADIO 2	1
2415	65311557	OELROHR STUFE 1 OLIE BUIS 1° TRAP	TUBE FIOUL 1ERE ALLURE TUBERIA GASOLEO 1A ETAPA	TUBO GASOLIO STADIO 1	1
2420	65311554	HALTER VENTILBLOCK 3-STUFIG STEUN BLOKKEREN DISTRIBUTIE OLIE 3 TRAP.	SUPPORT BLOC DISTRIBUTION FIOUL 3 ALLU. SOPORTE BLOQUE DISTRIBUC.GASOLEO 3 ETAP.	SUPPORTO BLOC DISTRIB. GASOLIO 3 STADI	1
2425	65311568	MAGNETVENTIL PAR PM 140.4D ZH 14 - 1/4Z MAGNEETKLEP PAR PM140.4 G1/4"DZH14	ELECTROVANNE PAR PM140.4 G1/4"DZH14 ELECTROVALVULA PAR PM140.4 G1/4"DZH14	ELETTROVALVOLA PAR PM140.4 G1/4"DZH14	1
2430	65311552	ÖLDISTRIBUTOR BLOCK 30X30X120 3 STUF. BLOKKERE OIL DISTRIBUTOR 30X30X120 3 ST.	BLOC DISTRIBUTION FIOUL 30X30X120 3 ALL. BLOQUE DISTRIBUID. GASOL.30X30X120 3 ET.	BLOCCETTO DISTRIB.GASOL.30X30X120 3 ST.	1
2435	65311599	GERADE-EINSCHRAUBVERSCHR. 10 L-R3/8 RECHTE AANSLUITING 10 L-R3/8	RACCORD DROIT 10 L-R3/8 RACOR RECTO 10 L-R3/8	RACCORDO DRITTO 10 L-R3/8	1
2440	65311553	HOHLSCHRAUBE 1/4 Z HOLLE SCHROEF 1/4 Z	VIS CREUSE 1/4 Z TORNILLO HUECO 1/4 Z	VITE CAVA 1/4 Z	1
2445	65312941	WINKELVERSCHRAUBUNG K-SWR NW 03 HS AANSLUITING BANJO K-SWR NW 03 HS	RACCORD ORIENTABLE K-SWR NW 03 HS RACOR BANJO K-SWR NW 03 HS	RACCORDO BANJO K-SWR NW 03 HS	1
2450	65313597	GERAETESTECKDOSE 3-POLIG/PE SCHWARZ STEKKER 3-POLE/PE ZWART	PRISE 3-POLES/PE NOIRE TOMA 3-POLOS/PE NEGRA	PRESA 3-POLI/PE NERA	1
2455	65312953	DICHTRING 20,57/13,74X2,1 DICHTINGSRING 20,57/13,74X2,1	BAGUE ETANCHEITE 20,57/13,74X2,1 ANILLO DE ESTANQUEIDAD 20,57/13,74X2,1	ANELLO DI TENUTA 20,57/13,74X2,1	1
2510	65311564	MOTOR 0,75KW 230/400V IE2 - KPL. MOTOR 0,75KW 230/400V GMP	MOTEUR 0,75KW 230/400V GMP MOTOR 0,75KW 230/400V GMP	MOTORE 0,75KW 230/400V GMP	1
	65322836	MOTOR 0,55KW 230/400V D12,7 T41/3011 MOTOR 0,55KW 230/400V D12,7 T41/3011	MOTEUR 0,55KW 230/400V D12,7 T41/3011 MOTOR 0,55KW 230/400V D12,7 T41/3011	MOTORE 0,55KW 230/400V D12,7 T41/3011	1
2520	65312206	DRUCKWAECHTER DSB158 F931, 3-25BAR, IP65 OLIEDRUKSCHAKELAAR DSB 158 F931 3-25BAR	MANOSTAT FIOUL DSB 158 F931 3-25BAR PRESOSTATO GASOLEO DSB 158 F931 3-25BAR	PRESSOSTATO GASOLIO DSB 158 F931 3-25BAR	1
2526	65311616	DICHTUNG GDM 3-21 PAKKING GDM 3-21	JOINT GDM 3-21 JUNTA GDM 3-21	GUARNIZIONE GDM 3-21	1
2530	65311452	MAGNETVENTIL LUC 321H2523 19W 230V MAGNEETKLEP LUC 321H2523 19W 230V	ELECTROVANNE LUC 321H2523 19W 230V ELECTROVALVULA LUC 321H2523 19W 230V	ELETTROVALVOLA LUC 321H2523 19W 230V	1
2560	65312937	T-WINKELANSCHLUSS P-ELVD 10 L T-AANSLUITING P-ELVD 10 L	RACCORD EN T P-ELVD 10 L RACOR EN T P-ELVD 10 L	RACCORDO A T P-ELVD 10 L	1
2590	65311615	GERAETESTECKDOSE GDMW 30-11 DF STEKKER GDMW 30-11 DF	PRISE GDMW 30-11 DF TOMA GDMW 30-11 DF	PRESA GDMW 30-11 DF	1
2610	65311578	T-WINKELANSCHL.R3/4Z (SCHMUTZFAENG.) OVE T-AANSLUITING R3/4Z (FILTER) OVE	RACCORD EN T R3/4Z (FILTRE) OVE RACOR EN T R3/4Z (FILTRO) OVE	RACCORDO A T R3/4Z (FILTRO) OVE	1
2700	65311565	PUMPE J7CCC10014P POMP J7 CCC 1001 4P	POMPE FIOUL J7 CCC 1001 4P BOMBA J7 CCC 1001 4P	POMPA J7 CCC 1001 4P	1
	65311577	OELPUMPE TA 3C 40107 POMP TA 3C 40107	POMPE FIOUL TA 3C 40107 BOMBA TA 3C 40107	POMPA TA 3C 40107	1
2750	13019342	OELSCHLAUCH M30X1,5 DN20 L=1500 OLIESLANG M30X1,5 DN20 L=1500	FLEXIBLE M30X1,5 DN20 L=1500 LATIGUILLO M30X1,5 DN20 L=1500	FLESSIBILE M30X1,5 DN20 L=1500	1
3005	65321049	DICHTUNG/GASSTRECKE D125/90X3 PAKKING/GASTRAIN D125/90X3	JOINT/RAMPE GAZ D125/90X3 JUNTA/GASTRAIN D125/90X3	GUARNIZIONE/RAMPA GAS D125/90X3	1
3010	65311488	GASANSCHLUSSST. DN65-R2Z 2G1/4 PN16 GASAANSLUITBUIJS DN65-R2Z 2G1/4 PN16	COLLECTEUR DN65-R2Z 2G1/4 PN16 COLECTOR DN65-R2Z 2G1/4 PN16	COLLETTORE DN65-R2Z 2G1/4 PN16	1
	65311503	GASANSCHLUSSST. DN65-R1 1/2Z 2G1/4 PN16 GASAANSLUITBUIJS DN65-R1 1/2Z 2G1/4 PN16	COLLECTEUR DN65-R1 1/2Z 2G1/4 PN16 COLECTOR DN65-R1 1/2Z 2G1/4 PN16	COLLETTORE DN65-R1 1/2Z 2G1/4 PN16	1
3020	65311606	GERADE-EINSCHRAUBVERSCHR.P-GEV 8LR-WD-VI RECHTE AANSLUITING P-GEV 8LR-WD-VI	RACCORD DROIT P-GEV 8LR-WD-VI RACOR RECTO P-GEV 8LR-WD-VI	RACCORDO DESTRO P-GEV 8LR-WD-VI	1
3030	65311604	EINSTELLB.W-Verschraubung P-EWV 8-L GEBOGEN AANSLUITING P-EWV 8-L	RACCORD COUDE P-EWV 8-L RACOR ACODADO P-EWV 8-L	RACCORDO A GOMITO P-EWV 8-L	1
3040	65311579	MESSNIPPEL R1/4Z M.DICHTUNG MEETNIPPEL R1/4Z+AFDICHTING	PRISE DE PRESSION R1/4Z+JOINT TOMA DE PRESIÓN R1/4Z+JUNTA	PRESA DI PRESSIONE R1/4Z+GUARNIZIONE	1
3060	65311580	GAS-MV VGD 20.4011 R1 1/2Z X 265 MM GASKLEP VGD20 4011 RP1"1/2	VANNE GAZ VGD20 4011 RP1"1/2 VALVULA GAS VGD20 4011 RP1"1/2	VALVOLA GAS VGD20 4011 RP1"1/2	1
	65311581	GAS-MV VGD 20.5011 R2Z X 265 MM GASKLEP VGD20 5011 RP2"	VANNE GAZ VGD20 5011 RP2" VALVULA GAS VGD20 5011 RP2"	VALVOLA GAS VGD20 5011 RP2"	1
3070	65107100	STELLANTRIEB SKP25.003E2 O. ENDSCHALTER REGELMOT. GAS SKP25.003E2 Z.EINDSCHALTE	SERVOMOT. GAZ SKP25.003E2 S.FIN COURSE SERVOMOTOR SKP25.003 E2 SIN FIN CARRERA	SERVOMOT. GAS SKP25.003E2 S.FINE CORSA	1
3080	65311585	KABEL ANSCHLUSS AGA 62 STCK DIN L270 KABEL CONNECT AGA 62 STCK DIN L270	CABLE CONNECT AGA 62 PRISE DIN L270 CABLE CONNECT AGA 62 TOMA DIN L270	CAVO COLLEGA AGA 62 PRESA DIN L270	1
3090	1478836180	STELLANTRIEB SKP 15.000E2 O. ENDSCHALTER REGELMOTOR GAS SKP15.000E2 Z.EINDSCHALTE	SERVOMOT. GAZ SKP15.000E2 SANS FIN COURSE SERVOMO. GAS SKP15.000E2 SIN FIN CARRERA	SERVOMOT.GAS SKP15.000E2 SENZ.FINE CORSA	1
3110	65311377	FLANSCH AGF10.50 RP2 FLENS AGF10.50 RP2	BRIDE AGF10.50 RP2 BRIDA AGF10.50 RP2	FLANGIA AGF10.50 RP2	1
	65313107	FLANSCH AGF10 RP1 1/2 MONTAGEFLENS AGF 10 40 RP1 1/2"	BRIDE AGF10 RP1 1/2 BRIDA AGF10 RP1 1/2	FLANGIA AGF10 RP1 1/2	1
3120	13010091	GASDRUCKWACHTER GW 500 A5 100-500MB GASDRUKSCHAKELAAR GW 500 A5 100-500MB	MANOSTAT GAZ GW 500 A5 100-500MB PRESOSTATO GAS GW 500 A5 100-500MB	PRESSOSTATO GAS GW 500 A5 100-500MB	1

					
		DE NL	FR ES	IT	
	65311597	DRUCKWAECHTER GW 150 A6 M. STECKERANSCHL GASDRUKSCHAKELAAR GW 150 A6 10-150MB DIN	MANOSTAT GAZ GW 150 A6 10-150MB DIN PRESOSTATO GAS GW 150 A6 10-150MB DIN	PRESSOSTATO GAS GW 150 A6 10-150MB DIN	1
3130	65311586	LEITUNGSDOSE VENTILANTRIEB AGA64 STEKKER VROUWELIJK AGA64	PRISE FEMELLE AGA64 TOMA HEMBRA AGA64	PRESA FEMMINA AGA64	1
3140	65311615	GERAETESTECKDOSE GDMW 30-11 DF STEKKER GDMW 30-11 DF	PRISE GDMW 30-11 DF TOMA GDMW 30-11 DF	PRESA GDMW 30-11 DF	1
3300	65311458	GASFILTER GF80M-1212-A-1 RP1 1/2 1BAR GASFILTER GF80M-1212-A-1 RP1 1/2 1BAR	FILTRE GAZ GF80M-1212-A-1 RP1 1/2 1BAR FILTRO GAS GF80M-1212-A-1 RP1 1/2 1BAR	FILTRO GAS GF80M-1212-A-1 RP1 1/2 1BAR	1
	65311459	GASFILTER GF80M-1616-A-1 RP2 1BAR GASFILTER GF80M-1616-A-1 RP2 1BAR	FILTRE GAZ GF80M-1616-A-1 RP2 1BAR FILTRO GAS GF80M-1616-A-1 RP2 1BAR	FILTRO GAS GF80M-1616-A-1 RP2 1BAR	1
	65311460	GASFILTER GF65MF-2020-A-1 DN65 1BAR GASFILTER GF65MF-2020-A-1 DN65 1BAR	FILTRE GAZ GF65MF-2020-A-1 DN65 1BAR FILTRO GAS GF65MF-2020-A-1 DN65 1BAR	FILTRO GAS GF65MF-2020-A-1 DN65 1BAR	1
	65311461	GASFILTER GF80MF-2424-A-1 DN80 1BAR GASFILTER GF80MF-2424-A-1 DN80 1BAR	FILTRE GAZ GF80MF-2424-A-1 DN80 1BAR FILTRO GAS GF80MF-2424-A-1 DN80 1BAR	FILTRO GAS GF80MF-2424-A-1 DN80 1BAR	1
3301	65311361	ERSATZTEILSET F.GASFILTER GF 80M FILTERELEMENT GF 80M	ELEMENT FILTRANT GF 80M ELEMENTO FILTRANTE GF 80M	ELEMENTO FILTRANTE GF 80M	1
	65311723	ERSATZTEILSET F.GASFILTER GF 65MF FILTERELEMENT GF65MF	ELEMENT FILTRANT GF65MF ELEMENTO FILTRANTE GF65MF	ELEMENTO FILTRANTE GF65MF	1
	65311888	ERSATZTEILSET F.GASFILTER GF 80MF FILTERELEMENT GF80MF	ELEMENT FILTRANT GF80MF ELEMENTO FILTRANTE GF80MF	ELEMENTO FILTRANTE GF80MF	1
3505	65321049	DICHTUNG/GASSTRECKE D125/90X3 PAKKING/GASTRAIN D125/90X3	JOINT/RAMPE GAZ D125/90X3 JUNTA/GASTRAIN D125/90X3	GUARNIZIONE/RAMPA GAS D125/90X3	1
3510	65311836	GASANSCHLUSSSTUECK DN65 RP1 1/2Z PN16 GASAANSLUITBUIJS DN65-R1 1/2Z PN16	COLLECTEUR DN65-R1 1/2Z PN16 COLECTOR DN65-R1 1/2Z PN16	COLLETTORE DN65-R1 1/2Z PN16	1
	65311837	GASANSCHLUSSSTUECK DN65 RP2Z PN16 GASAANSLUITBUIJS DN65-R2Z PN16	COLLECTEUR DN65-R2Z PN16 COLECTOR DN65-R2Z PN16	COLLETTORE DN65-R2Z PN16	1
3580	65311838	GASVENTIL MBC-300-SE S82 5-80MBAR GASKLEP MBC300 SE S82 5-80 MBAR	VANNE GAZ MBC300 SE S82 5-80MBAR VALVULA GAS MBC300SE S82 5-80MBA	VALVOLA GAS MBC300SE S82 5-80MBA	1
	65311839	GAS-DOPPEL-MV MBC-700-SE S82 5-80 MBAR GASKLEP MBC700 SE S82 RP1"1/4 5-80 MBAR	VANNE GAZ MBC700 SE S82 RP1"1/4 5-80MBA VALVULA GAS MBC700SES82 RP1"1/4 5-80MBA	VALVOLA GAS MBC700SES82 RP1"1/4 5-80MBA	1
	65311840	GASVENTIL MBC-1200-SE S82 RP2" 5-80MBAR GASKLEP MBC1200 SE S82 RP2" 5-80 MBAR	VANNE GAZ MBC1200 SE S82 RP2" 5-80 MBAR VALVULA GAS MBC1200 SE S82 RP2" 5-80MBA	VALVOLA GAS MBC1200 SE S82 RP2" 5-80MBA	1
3620	65311841	ANSCHLUSSFLANSCH MBC-300 RP1 1/2Z FLENS MBC300 RP1 1/2	BRIDE MBC300 RP1 1/2 BRIDA MBC300 RP1 1/2	FLANGIA MBC300 RP1 1/2	1
	65313021	FLANSCH ZU DMV-D R1 1/2Z O.MESSNIPPEL FLENS MBC700/1200 RP1 1/2	BRIDE MBC700/1200 RP1 1/2 BRIDA MBC700/1200 RP1 1/2	FLANGIA MBC700/1200 RP1 1/2	1
	65313022	FLANSCH ZU DMV-D R 2Z O.MESSNIPPEL FLENS MBC700/1200 RP2	BRIDE MBC700/1200 RP2 BRIDA MBC700/1200 RP2	FLANGIA MBC700/1200 RP2	1
3640	13010091	GASDRUCKWACHTER GW 500 A5 100-500MB GASDRUKSCHAKELAAR GW 500 A5 100-500MB	MANOSTAT GAZ GW 500 A5 100-500MB PRESOSTATO GAS GW 500 A5 100-500MB	PRESSOSTATO GAS GW 500 A5 100-500MB	1
	65311598	DRUCKWAECHTER GW 150 A5 M. STECKERANSCHL GASDRUKSCHAKELAAR GW 150 A5 30-150MB	MANOSTAT GAZ GW 150 A5 30-150MB PRESOSTATO GAS GW 150 A5 30-150MB	PRESSOSTATO GAS GW 150 A5 30-150MB	1
3650	65311615	GERAETESTECKDOSE GDMW 30-11 DF STEKKER GDMW 30-11 DF	PRISE GDMW 30-11 DF TOMA GDMW 30-11 DF	PRESA GDMW 30-11 DF	1
3700	13022415	FILTEREINSATZ F. GASVENTIL MBC300 ZEEFFILTER/GASKLEP MBC300	FILTRE TAMIS/VANNE GAZ MBC300 FILTRO DE TAMIZ/VÁLVULA DE GAS MBC300	SET FILTRI/VALVOLA GAS MBC300	1
	13022416	FILTEREINSATZ F. GASVENT. MBC-700 ZEEFFILTER/GASKLEP MBC700	FILTRE TAMIS/VANNE GAZ MBC700 FILTRO DE TAMIZ/VÁLVULA DE GAS MBC700	SET FILTRI/VALVOLA GAS MBC700	1
	13022417	FILTEREINSATZ F. GASVENT. MBC-1200 ZEEFFILTER/GASKLEP MBC1200	FILTRE TAMIS/VANNE GAZ MBC1200 FILTRO DE TAMIZ/VÁLVULA DE GAS MBC1200	SET FILTRI/VALVOLA GAS MBC1200	1
3800	65311458	GASFILTER GF80M-1212-A-1 RP1 1/2 1BAR GASFILTER GF80M-1212-A-1 RP1 1/2 1BAR	FILTRE GAZ GF80M-1212-A-1 RP1 1/2 1BAR FILTRO GAS GF80M-1212-A-1 RP1 1/2 1BAR	FILTRO GAS GF80M-1212-A-1 RP1 1/2 1BAR	1
	65311459	GASFILTER GF80M-1616-A-1 RP2 1BAR GASFILTER GF80M-1616-A-1 RP2 1BAR	FILTRE GAZ GF80M-1616-A-1 RP2 1BAR FILTRO GAS GF80M-1616-A-1 RP2 1BAR	FILTRO GAS GF80M-1616-A-1 RP2 1BAR	1
	65311460	GASFILTER GF65MF-2020-A-1 DN65 1BAR GASFILTER GF65MF-2020-A-1 DN65 1BAR	FILTRE GAZ GF65MF-2020-A-1 DN65 1BAR FILTRO GAS GF65MF-2020-A-1 DN65 1BAR	FILTRO GAS GF65MF-2020-A-1 DN65 1BAR	1
	65311461	GASFILTER GF80MF-2424-A-1 DN80 1BAR GASFILTER GF80MF-2424-A-1 DN80 1BAR	FILTRE GAZ GF80MF-2424-A-1 DN80 1BAR FILTRO GAS GF80MF-2424-A-1 DN80 1BAR	FILTRO GAS GF80MF-2424-A-1 DN80 1BAR	1
3801	65311361	ERSATZTEILSET F.GASFILTER GF 80M FILTERELEMENT GF 80M	ELEMENT FILTRANT GF 80M ELEMENTO FILTRANTE GF 80M	ELEMENTO FILTRANTE GF 80M	1
	65311723	ERSATZTEILSET F.GASFILTER GF 65MF FILTERELEMENT GF65MF	ELEMENT FILTRANT GF65MF ELEMENTO FILTRANTE GF65MF	ELEMENTO FILTRANTE GF65MF	1
	65311888	ERSATZTEILSET F.GASFILTER GF 80MF FILTERELEMENT GF80MF	ELEMENT FILTRANT GF80MF ELEMENTO FILTRANTE GF80MF	ELEMENTO FILTRANTE GF80MF	1
4005	65321049	DICHTUNG/GASSTRECKE D125/90X3 PAKKING/GASTRAIN D125/90X3	JOINT/RAMPE GAZ D125/90X3 JUNTA/GASTRAIN D125/90X3	GUARNIZIONE/RAMPA GAS D125/90X3	1
4010	65311494	GASANSCHLUSSST. DN65-DN80 PN16 GASAANSLUITBUIJS DN65-DN80 PN16	COLLECTEUR DN65-DN80 PN16 COLECTOR DN65-DN80 PN16	COLLETTORE DN65-DN80 PN16	1
	65311506	GASANSCHLUSSST. DN65-DN65 PN16 GASAANSLUITBUIJS DN65-DN65 PN16	COLLECTEUR DN65-DN65 PN16 COLECTOR DN65-DN65 PN16	COLLETTORE DN65-DN65 PN16	1
	65311508	GASANSCHLUSSST. DN65-DN100 PN16 GASAANSLUITBUIJS DN65-DN100 PN16	COLLECTEUR DN65-DN100 PN16 COLECTOR DN65-DN100 PN16	COLLETTORE DN65-DN100 PN16	1

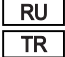
		DE		FR		IT		
		NL		ES				
	65311509	GASANSCHLUSSST. DN65-DN125 PN16 GASAANSLUITBUIS DN65-DN125 PN16		COLLECTEUR DN65-DN125 PN16 COLECTOR DN65-DN125 PN16		COLLETTORE DN65-DN125 PN16		1
4020	65311601	GERADE-EINSCHRAUBSTUT.P-EGES 12L/R 1/4WD RECHTE AANSLUITING P-EGES 12L/R 1/4WD		RACCORD DROIT P-EGES 12L/R 1/4WD RACOR RECTO P-EGES 12L/R 1/4WD		RACCORDO DESTRO P-EGES 12L/R 1/4WD		1
4030	65311605	KREUZVERSCHR.P-KV12L AANSLUITING P-KV12L		RACCORD P-KV12L RACOR P-KV12L		RACCORDO P-KV12L		1
4040	65311603	EINSTELLBARE W-VERSCHR.P-EWS 12 L-SS GEBOGEN AANSLUITING P-EWS 12 L-SS		RACCORD COUDE P-EWS 12 L-SS RACOR ACODADO P-EWS 12 L-SS		RACCORDO A GOMITO P-EWS 12 L-SS		1
4060	65311607	VERSCHLUSSTOPFEN VSD 12L/S O.M.MB. STOP VSD 12L/S O.M.MB.		BOUCHON VSD 12L/S O.M.MB. TAPÓN VSD 12L/S O.M.MB.		TAPPO VSD 12L/S O.M.MB.		1
4080	65311453	GAS-MV VGD 40.125 DN125 PN16 X 400 MM GASKLEP VGD40 125 DN125		VANNE GAZ VGD40 125 DN125 VALVULA GAS VGD40 125 DN125		VALVOLA GAS VGD40 125 DN125		1
	65311583	GAS-MV VGD 40.080 DN80 X 310MM GASKLEP VGD40 080 DN80		VANNE GAZ VGD40 080 DN80 VALVULA GAS VGD40 080 DN80		VALVOLA GAS VGD40 080 DN80		1
	65311590	GAS-MV VGD 40.100 DN100 X 350 MM GASKLEP VGD40 100 DN100		VANNE GAZ VGD40 100 DN100 VALVULA GAS VGD40 100 DN100		VALVOLA GAS VGD40 100 DN100		1
	65323661	GAS-MV VGD 40.065 GASKLEP VGD40 065 DN65		VANNE GAZ VGD40 065 DN65 VALVULA GAS VGD40 065 DN65		VALVOLA GAS VGD40 065 DN65		1
4090	65107100	STELLANTRIEB SKP25.003E2 O. ENDSCHALTER REGELMOT. GAS SKP25.003E2 Z.EINDSCHALTE		SERVOMOT. GAZ SKP25.003E2 S.FIN COURSE SERVOMOTOR SKP25.003 E2 SIN FIN CARRERA		SERVOMOT. GAS SKP25.003E2 S.FINE CORSA		1
4100	65311585	KABEL ANSCHLUSS AGA 62 STCK DIN L270 KABEL CONNECT AGA 62 STCK DIN L270		CABLE CONNECT AGA 62 PRISE DIN L270 CABLE CONNECT AGA 62 TOMA DIN L270		CAVO COLLEGA AGA 62 PRESA DIN L270		1
4110	1478836180	STELLANTRIEB SKP 15.000E2 O. ENDSCHALTER REGELMOTOR GAS SKP15.000E2 Z.EINDSCHALTE		SERVOMOT.GAZ SKP15.000E2 SANS FIN COURSE SERVOMO. GAS SKP15.000E2 SIN FIN CARRERA		SERVOMOT.GAS SKP15.000E2 SENZ.FINE CORSA		1
4120	65311342	DICHTUNG/GASSTRECKE D218/169X2 DN150 PAKKING/GASTRAIN D218/169X2 DN150		JOINT/RAMPE GAZ D218/169X2 DN150 JUNTA/GASTRAIN D218/169X2 DN150		GUARNIZIONE/RAMPA GAS D218/169X2 DN150		1
	65311611	DICHTUNG/GASSTRECKE D127/77X2 DN65 PAKKING/GASTRAIN D127/77X2 DN65		JOINT/RAMPE GAZ D127/77X2 DN65 JUNTA/GASTRAIN D127/77X2 DN65		GUARNIZIONE/RAMPA GAS D127/77X2 DN65		1
	65311612	DICHTUNG/GASSTRECKE D142/90X2 DN80 PAKKING/GASTRAIN D142/90X2 DN80		JOINT/RAMPE GAZ D142/90X2 DN80 JUNTA/GASTRAIN D142/90X2 DN80		GUARNIZIONE/RAMPA GAS D142/90X2 DN80		1
	65311613	DICHTUNG/GASSTRECKE D162/115X2 DN100 PAKKING/GASTRAIN D162/115X2 DN100		JOINT/RAMPE GAZ D162/115X2 DN100 JUNTA/GASTRAIN D162/115X2 DN100		GUARNIZIONE/RAMPA GAS D162/115X2 DN100		1
	65311614	DICHTUNG/GASSTRECKE D192/141X2 DN125 PAKKING/GASTRAIN D192/141X2 DN125		JOINT/RAMPE GAZ D192/141X2 DN125 JUNTA/GASTRAIN D192/141X2 DN125		GUARNIZIONE/RAMPA GAS D192/141X2 DN125		1
4130	65311586	LEITUNGSDOSE VENTILANTRIEB AGA64 STEKKER VROUWELIJK AGA64		PRISE FEMELLE AGA64 TOMA HEMBRA AGA64		PRESA FEMMINA AGA64		1
4140	65311615	GERAETESTECKDOSE GDMW 30-11 DF STEKKER GDMW 30-11 DF		PRISE GDMW 30-11 DF TOMA GDMW 30-11 DF		PRESA GDMW 30-11 DF		1
4150	13010091	GASDRUCKWACHTER GW 500 A5 100-500MB GASDRUKSCHAKELAAR GW 500 A5 100-500MB		MANOSTAT GAZ GW 500 A5 100-500MB PRESOSTATO GAS GW 500 A5 100-500MB		PRESSOSTATO GAS GW 500 A5 100-500MB		1
	65311597	DRUCKWAECHTER GW 150 A6 M. STECKERANSCHL GASDRUKSCHAKELAAR GW 150 A6 10-150MB DIN		MANOSTAT GAZ GW 150 A6 10-150MB DIN PRESOSTATO GAS GW 150 A6 10-150MB DIN		PRESSOSTATO GAS GW 150 A6 10-150MB DIN		1
4300	65311460	GASFILTER GF65MF-2020-A-1 DN65 1BAR GASFILTER GF65MF-2020-A-1 DN65 1BAR		FILTRE GAZ GF65MF-2020-A-1 DN65 1BAR FILTRO GAS GF65MF-2020-A-1 DN65 1BAR		FILTRO GAS GF65MF-2020-A-1 DN65 1BAR		1
	65311461	GASFILTER GF80MF-2424-A-1 DN80 1BAR GASFILTER GF80MF-2424-A-1 DN80 1BAR		FILTRE GAZ GF80MF-2424-A-1 DN80 1BAR FILTRO GAS GF80MF-2424-A-1 DN80 1BAR		FILTRO GAS GF80MF-2424-A-1 DN80 1BAR		1
	65311462	GASFILTER GF100MF-3232-A-1 DN100 1BAR GASFILTER GF100MF-3232-A-1 DN100 1BAR		FILTRE GAZ GF100MF-3232-A-1 DN100 1BAR FILTRO GAS GF100MF-3232-A-1 DN100 1BAR		FILTRO GAS GF100MF-3232-A-1 DN100 1BAR		1
	65311463	GASFILTER GF125MF-4040-A-1 DN125 1BAR GASFILTER GF125MF-4040-A-1 DN125 1BAR		FILTRE GAZ GF125MF-4040-A-1 DN125 1BAR FILTRO GAS GF125MF-4040-A-1 DN125 1BAR		FILTRO GAS GF125MF-4040-A-1 DN125 1BAR		1
	65311892	GASFILTER GF150MF-4848-A-1 DN150 1BAR GASFILTER GF150MF-4848-A-1 DN150 1BAR		FILTRE GAZ GF150MF-4848-A-1 DN150 1BAR FILTRO GAS GF150MF-4848-A-1 DN150 1BAR		FILTRO GAS GF150MF-4848-A-1 DN150 1BAR		1
4301	65311623	ERSATZTEILSET F.GASFILTER GF150MF FILTERELEMENT GF150MF		ELEMENT FILTRANT GF150MF ELEMENTO FILTRANTE GF150MF		ELEMENTO FILTRANTE GF150MF		1
	65311723	ERSATZTEILSET F.GASFILTER GF 65MF FILTERELEMENT GF65MF		ELEMENT FILTRANT GF65MF ELEMENTO FILTRANTE GF65MF		ELEMENTO FILTRANTE GF65MF		1
	65311888	ERSATZTEILSET F.GASFILTER GF 80MF FILTERELEMENT GF80MF		ELEMENT FILTRANT GF80MF ELEMENTO FILTRANTE GF80MF		ELEMENTO FILTRANTE GF80MF		1
	65311889	ERSATZTEILSET F.GASFILTER GF100MF FILTERELEMENT GF100MF		ELEMENT FILTRANT GF100MF ELEMENTO FILTRANTE GF100MF		ELEMENTO FILTRANTE GF100MF		1
	65311890	ERSATZTEILSET F.GASFILTER GF125MF FILTERELEMENT GF125MF		ELEMENT FILTRANT GF125MF ELEMENTO FILTRANTE GF125MF		ELEMENTO FILTRANTE GF125MF		1
4505	65321049	DICHTUNG/GASSTRECKE D125/90X3 PAKKING/GASTRAIN D125/90X3		JOINT/RAMPE GAZ D125/90X3 JUNTA/GASTRAIN D125/90X3		GUARNIZIONE/RAMPA GAS D125/90X3		1
4510	65311494	GASANSCHLUSSST. DN65-DN80 PN16 GASAANSLUITBUIS DN65-DN80 PN16		COLLECTEUR DN65-DN80 PN16 COLECTOR DN65-DN80 PN16		COLLETTORE DN65-DN80 PN16		1
	65311506	GASANSCHLUSSST. DN65-DN65 PN16 GASAANSLUITBUIS DN65-DN65 PN16		COLLECTEUR DN65-DN65 PN16 COLECTOR DN65-DN65 PN16		COLLETTORE DN65-DN65 PN16		1
	65311508	GASANSCHLUSSST. DN65-DN100 PN16 GASAANSLUITBUIS DN65-DN100 PN16		COLLECTEUR DN65-DN100 PN16 COLECTOR DN65-DN100 PN16		COLLETTORE DN65-DN100 PN16		1
4520	65311601	GERADE-EINSCHRAUBSTUT.P-EGES 12L/R 1/4WD RECHTE AANSLUITING P-EGES 12L/R 1/4WD		RACCORD DROIT P-EGES 12L/R 1/4WD RACOR RECTO P-EGES 12L/R 1/4WD		RACCORDO DESTRO P-EGES 12L/R 1/4WD		1

		DE NL	FR ES	IT	X
4530	65311344	T-VERSCHRAUBUNG P-TV 12 L T-STUK P-TV 12 L	RACCORD EN T P-TV 12 L RACOR EN T P-TV 12 L	RACCORDO A T P-TV 12 L	1
4560	65311607	VERSCHLUSSTOPFEN VSD 12L/S O.M.MB. STOP VSD 12L/S O.M.MB.	BOUCHON VSD 12L/S O.M.MB. TAPÓN VSD 12L/S O.M.MB.	TAPPO VSD 12L/S O.M.MB.	1
4580	65311844	GASVENTIL MBC-1900-SE DN65 40-80MBAR GASKLEP MBC1900 SE DN65 40-80MBAR	VANNE GAZ MBC1900 SE DN65 40-80MBAR VALVULA GAS MBC1900SE DN65 40-80MBAR	VALVOLA GAS MBC1900 SE DN65 40-80MBAR	1
	65311845	GASVENTIL MBC-3100-SE DN80 40-80MBAR GASKLEP MBC3100 SE DN80 40-80 MBAR	VANNE GAZ MBC3100 SE DN80 40-80 MBAR VALVULA GAS MBC3100 SE DN80 40-80 MBAR	VALVOLA GAS MBC3100 SE DN80 40-80 MBAR	1
	65311846	GASVENTIL MBC-5000-SE DN100 40-80MBAR GASKLEP MBC5000 SE DN100 40-80 MBAR	VANNE GAZ MBC5000 SE DN100 40-80 MBAR VALVULA GAS MBC5000 SE DN100 40-80 MBAR	VALVOLA GAS MBC5000 SE DN100 40-80 MBAR	1
4620	65311342	DICHTUNG/GASSTRECKE D218/169X2 DN150 PAKKING/GASTRAIN D218/169X2 DN150	JOINT/RAMPE GAZ D218/169X2 DN150 JUNTA/GASTRAIN D218/169X2 DN150	GUARNIZIONE/RAMPA GAS D218/169X2 DN150	1
	65311611	DICHTUNG/GASSTRECKE D127/77X2 DN65 PAKKING/GASTRAIN D127/77X2 DN65	JOINT/RAMPE GAZ D127/77X2 DN65 JUNTA/GASTRAIN D127/77X2 DN65	GUARNIZIONE/RAMPA GAS D127/77X2 DN65	1
	65311612	DICHTUNG/GASSTRECKE D142/90X2 DN80 PAKKING/GASTRAIN D142/90X2 DN80	JOINT/RAMPE GAZ D142/90X2 DN80 JUNTA/GASTRAIN D142/90X2 DN80	GUARNIZIONE/RAMPA GAS D142/90X2 DN80	1
	65311613	DICHTUNG/GASSTRECKE D162/115X2 DN100 PAKKING/GASTRAIN D162/115X2 DN100	JOINT/RAMPE GAZ D162/115X2 DN100 JUNTA/GASTRAIN D162/115X2 DN100	GUARNIZIONE/RAMPA GAS D162/115X2 DN100	1
	65311614	DICHTUNG/GASSTRECKE D192/141X2 DN125 PAKKING/GASTRAIN D192/141X2 DN125	JOINT/RAMPE GAZ D192/141X2 DN125 JUNTA/GASTRAIN D192/141X2 DN125	GUARNIZIONE/RAMPA GAS D192/141X2 DN125	1
4640	13010091	GASDRUCKWACHTER GW 500 A5 100-500MB GASDRUKSCHAKELAAR GW 500 A5 100-500MB	MANOSTAT GAZ GW 500 A5 100-500MB PRESOSTATO GAS GW 500 A5 100-500MB	PRESSOSTATO GAS GW 500 A5 100-500MB	1
	65311597	DRUCKWACHTER GW 150 A6 M. STECKERANSCHL. GASDRUKSCHAKELAAR GW 150 A6 10-150MB DIN	MANOSTAT GAZ GW 150 A6 10-150MB DIN PRESOSTATO GAS GW 150 A6 10-150MB DIN	PRESSOSTATO GAS GW 150 A6 10-150MB DIN	1
4650	65311615	GERAETESTECKDOSE GDMW 30-11 DF STEKKER GDMW 30-11 DF	PRISE GDMW 30-11 DF TOMA GDMW 30-11 DF	PRESA GDMW 30-11 DF	1
4800	65311460	GASFILTER GF65MF-2020-A-1 DN65 1BAR GASFILTER GF65MF-2020-A-1 DN65 1BAR	FILTRE GAZ GF65MF-2020-A-1 DN65 1BAR FILTRO GAS GF65MF-2020-A-1 DN65 1BAR	FILTRO GAS GF65MF-2020-A-1 DN65 1BAR	1
	65311461	GASFILTER GF80MF-2424-A-1 DN80 1BAR GASFILTER GF80MF-2424-A-1 DN80 1BAR	FILTRE GAZ GF80MF-2424-A-1 DN80 1BAR FILTRO GAS GF80MF-2424-A-1 DN80 1BAR	FILTRO GAS GF80MF-2424-A-1 DN80 1BAR	1
	65311462	GASFILTER GF100MF-3232-A-1 DN100 1BAR GASFILTER GF100MF-3232-A-1 DN100 1BAR	FILTRE GAZ GF100MF-3232-A-1 DN100 1BAR FILTRO GAS GF100MF-3232-A-1 DN100 1BAR	FILTRO GAS GF100MF-3232-A-1 DN100 1BAR	1
	65311463	GASFILTER GF125MF-4040-A-1 DN125 1BAR GASFILTER GF125MF-4040-A-1 DN125 1BAR	FILTRE GAZ GF125MF-4040-A-1 DN125 1BAR FILTRO GAS GF125MF-4040-A-1 DN125 1BAR	FILTRO GAS GF125MF-4040-A-1 DN125 1BAR	1
	65311892	GASFILTER GF150MF-4848-A-1 DN150 1BAR GASFILTER GF150MF-4848-A-1 DN150 1BAR	FILTRE GAZ GF150MF-4848-A-1 DN150 1BAR FILTRO GAS GF150MF-4848-A-1 DN150 1BAR	FILTRO GAS GF150MF-4848-A-1 DN150 1BAR	1
4801	65311623	ERSATZTEILSET F.GASFILTER GF150MF FILTERELEMENT GF150MF	ELEMENT FILTRANT GF150MF ELEMENTO FILTRANTE GF150MF	ELEMENTO FILTRANTE GF150MF	1
	65311723	ERSATZTEILSET F.GASFILTER GF 65MF FILTERELEMENT GF65MF	ELEMENT FILTRANT GF65MF ELEMENTO FILTRANTE GF65MF	ELEMENTO FILTRANTE GF65MF	1
	65311888	ERSATZTEILSET F.GASFILTER GF 80MF FILTERELEMENT GF80MF	ELEMENT FILTRANT GF80MF ELEMENTO FILTRANTE GF80MF	ELEMENTO FILTRANTE GF80MF	1
	65311889	ERSATZTEILSET F.GASFILTER GF100MF FILTERELEMENT GF100MF	ELEMENT FILTRANT GF100MF ELEMENTO FILTRANTE GF100MF	ELEMENTO FILTRANTE GF100MF	1
	65311890	ERSATZTEILSET F.GASFILTER GF125MF FILTERELEMENT GF125MF	ELEMENT FILTRANT GF125MF ELEMENTO FILTRANTE GF125MF	ELEMENTO FILTRANTE GF125MF	1
5001	13016143	DUESE MON 28,0GPH 60° PLP SPROEIER MON 28,0GPH 60° PLP	GICLEUR MON 28,0GPH 60° PLP BOQUILLA MON 28,0GPH 60° PLP	UGELLO MON 28,0GPH 60° PLP	1
	13016145	DUESE MON 30,0GPH 60° PLP SPROEIER MON 30,0GPH 60° PLP	GICLEUR MON 30,0GPH 60° PLP BOQUILLA MON 30,0GPH 60° PLP	UGELLO MON 30,0GPH 60° PLP	1
	13020523	DUESE MON 40,0GPH 60° PLP SPROEIER MON 40,0GPH 60° PLP	GICLEUR MON 40,0GPH 60° PLP BOQUILLA MON 40,0GPH 60° PLP	UGELLO MON 40,0GPH 60° PLP	1
	1458256915	DUESE STE 30,0 GPH 60° SS SPROEIER STE 30,0 GPH 60° SS	GICLEUR STE 30,0 GPH 60° SS BOQUILLA STE 30,0 GPH 60° SS	UGELLO STE 30,0 GPH 60° SS	1
	65312601	DUESE STE 18,0GPH 60° SS SPROEIER STE 18,0GPH 60° SS	GICLEUR STE 18,0GPH 60° SS BOQUILLA STE 18,0GPH 60° SS	UGELLO STE 18,0GPH 60° SS	1
	65312665	DUESE STE 24,0GPH 60° S SPROEIER STE 24,0GPH 60° S	GICLEUR STE 24,0GPH 60° S BOQUILLA STE 24,0GPH 60° S	UGELLO STE 24,0GPH 60° S	1
	65323485	DUESE MON 21,5GPH 60° PLP SPROEIER MON 21,5GPH 60° PLP	GICLEUR MON 21,5GPH 60° PLP BOQUILLA MON 21,5GPH 60° PLP	UGELLO MON 21,5GPH 60° PLP	1
	65323487	DUESE MON 24,0GPH 60° PLP SPROEIER MON 24,0GPH 60° PLP	GICLEUR MON 24,0GPH 60° PLP BOQUILLA MON 24,0GPH 60° PLP	UGELLO MON 24,0GPH 60° PLP	1
	77094388	DUESE MON 35,0GPH 60° PLP SPROEIER MON 35,0GPH 60° PLP	GICLEUR MON 35,0GPH 60° PLP BOQUILLA MON 35,0GPH 60° PLP	UGELLO MON 35,0GPH 60° PLP	1
5002	65312901	FEUERUNGSAUT. BT340 GLEZ3 SPEZIAL EINST. BRANDERAUT. BT340 GLEZ3 SPECIAL. AFSTEL.	COFFRET BT340 GLEZ3 REGLAGE SPECIFIQUE PROGRAMADOR BT340 GLEZ3 CONFIG. ESPECÍ.	APPARECCH. BT340 GLEZ3 REGOL. SPEZIAL.	1
5010	65311362	PRUEFBRENNER M.DRUCKKNOPFHAHN PB2 PROEFBRANDER MET DRUKKNOP PB2	BRULEUR ESSAI AVEC B. POUSSOIR PB2 QUEMADOR DE PRUEBA CON PULSADOR PB2	BRUCIATORE DI PROVA CON PULSANTE PB2	1
	65311572	MANOMETER M.GLYZERINF.D 63 0-40 BAR G1/4 MANOMETER GLYCEROL D 63 0-40 BAR G1/4	MANOMETRE GLYCERINE D 63 0-40 BAR G1/4 MANOMETRO GLICERINA D 63 0-40 BAR G1/4	MANOMETRO GLICERINE D 63 0-40 BAR G1/4	1
5020	65311918	VSM100 (LSB-M 667R0200-1) VSM100-MODULE (LSB-M 667R0200-1)	MODULE VSM100 (LSB-M 667R0200-1) MÓDULO VSM100 (LSB-M 667R0200-1)	MODULO VSM100 (LSB-M 667R0200-1)	1



					
1020	65312332	ЧЕХОЛ/ВОЗДУШНЫЙ БЛОК KAPAĞI/HAVA KUTUSU	TAMPA CAIXA DE AR	POKRYWA/OBUDOWA UKŁADU POWIETRZA	1
1030	65312333	ЗВУКОИЗОЛЯЦИЯ/ВОЗДУШНЫЙ БЛОК İZOLASYONU/HAVA KUTUSU	ISOLAMENTO SONORO/CAIXA DE AR	İZOLACJA/OBUDOWA UKŁADU POWIETRZA	1
1040	65311474	ВОЗДУШНЫЙ КОЖУХ HAVA KILAVUZU	GUIA AR	PRZEWODNIK POWIETRZA	1
	65311490	ВОЗДУШНЫЙ КОЖУХ HAVA KILAVUZU	GUIA AR	PRZEWODNIK POWIETRZA	1
1050	1180603227	БЕСЦВЕТ. ГЛАЗОК ДЛЯ КОНТРОЛЯ ПЛАМЕНИ RENKSİZ GÖZETLEME CAMI D55X21	VIGIA INCOLOR D55X21	WZIERNIK BEZBARWNA D55X21	1
1060	1188052260	ГЛАЗОК ДЛЯ КОНТРОЛЯ ПЛАМЕНИ КОРОБ KARAK/GÖZETLEME CAMI D55X61	TAMPA VIGIA D55X61	POKRYWA/WZIERNIK D55X61	1
1070	1180559591	ГАЙКА/ГЛАЗОК ДЛЯ КОНТРОЛЯ ПЛАМЕНИ SOMUN/GÖZETLEME CAMI M48X1,5 SW60	PARAFUSO VIGIA M48X1,5 SW60	NAKRĘTKA/WZIERNIK M48X1,5 SW60	1
1080	65311473	РАБОЧЕЕ КОЛЕСО D450/252X90 D38+ПЛИТА D58 TÜRBİN D450/252X90 D38+PLAKA D58/12	TURBINA D450/252X90 D38+PRATO D58/12	WIMIK D450/252X90 D38+PŁYTA D58/12	1
	65311489	РАБОЧЕЕ КОЛЕСО D438/225X89 D28+ПЛИТА D58 TÜRBİN D438/225X89 D28+PLAKA D58/12	TURBINA D438/225X89 D28+PRATO D58/12	WIMIK D438/225X89 D28+PŁYTA D58/12	1
	65311500	РАБОЧЕЕ КОЛЕСО D415/225X84 D28+ПЛИТА D58 TÜRBİN D415/225X84 D28+PLAKA D58/12	TURBINA D415/225X84 D28+PRATO D58/12	WIMIK D415/225X84 D28+PŁYTA D58/12	1
	65311822	РАБОЧЕЕ КОЛЕСО D485/252X102D38+ПЛИТА D58 TÜRBİN D485/252X102 D38+PLAKA D58/12	TURBINA D485/252X102 D38+PRATO D58/12	WIMIK D485/252X102 D38+PŁYTA D58/12	1
1085	65310925	ТРАНСФО РОЗЖИГА EBI 2X7,5 230V ATEŞLEME TRAFÖ. EBI 2X7,5 230V	TRANSFO IGNIÇÃO EBI 2X7,5 230V	TRANSFO ZAPŁONOWY EBI 2X7,5 230V	1
1090	65311471	ТРАНСФОРМАТОР РОЗЖИГА EBI 1X11 230 ATEŞLEME TRAFÖ. EBI 1X11 230V	TRANSFO IGNIÇÃO EBI 1X11 230V	TRANSFO ZAPŁONOWY EBI 1X11 230V	1
1093	65313375	СТРЕМЯ ФОТОРЕЗИСТОР D22.5 RAR 7/QRA 2 ÜZENGİ HÜCRE D22.5 İÇİN RAR 7/QRA 2	ESTRIBO CELULA D22.5 PARA RAR 7/QRA 2	STRZEMIEŃ D22.5 FOTOKOMÓRKA RAR 7/QRA 2	1
1094	65312311	ДЕРЖАТЕЛЬ ФОТОРЕЗИСТОР DESTEĞİ HÜCRE	SUPOORTE CELULA	WSPORNIK FOTOKOMÓRKA	1
1095	1758106258	ФОТОРЕЗИСТОР QRA 2 HÜCRE QRA 2	CELULA QRA 2	FOTOKOMÓRKA QRA 2	1
1100	65311472	ЗЕРКАЛО/ГЛАЗОК ДЛЯ КОНТРОЛЯ ПЛАМЕНИ AYNA/GÖZETLEME CAMI	ESPELHO/VIGIA	LUSTRO/WZIERNIK	1
1110	65311595	РЕЛЕ ДАВ. ВОЗДУХА LGW 50 A2P 2,5-50MB HAVA BASINÇ ŞALT. LGW 50 A2P 2,5-50MB	PRESSOSTATO AR LGW 50 A2P 2,5-50MB	CZUJNIK CIŚ. POW. LGW 50 A2P 2,5-50MB	1
1120	65312321	ГАЗОВЫЙ КЛАПАН+СЕРВОДВИГАТЕЛЬ В СБОРЕ GAZ KLAPESİ+KOMPLE SERVO MOTOR	VÁLVULA DE GÁS + ATUADOR COMPLETO	ZAWÓR GAZU+SERWOMOTOR KOMPLETNY	1
1121	65312322	ГАЗОВЫЙ КЛАПАН В СБОРЕ KOMPLE GAZ KLAPESİ	VÁLVULA DE GÁS COMPLETA	ZAWÓR GAZU KOMPLETNY	1
1122	65312323	ГАЗОВЫЙ СЕРВОДВИГАТЕЛЯ STE4.5 B037/6-R KOMPLE GAZ SERVOMOT. STE4.5 B037/6-R	ATUADOR GÁS COMPL. STE4.5 B037/6-R 0,8NM	SERVOMOT. GAZU EQ.STE4.5 B037/6-R 0,8NM	1
1123	65312458	МУФТА ПРОКЛАДКИ ПРОВ DIM.34X15/12 D.6,2 KABLO KANALI DIM.34X15/12 D.6,2	PASSA-CABOS DIM.34X15/12 D.6,2	PRZELOTKA PRZEWODU DIM.34X15/12 D.6,2	1
1150	65311650	СЕРВОДВИГАТЕ. STE4,5 Q3.51/6 3NM R (BT3XX) SERVOMOTOR STE4,5 Q3.51/6 3NM R (BT3XX)	SERVOMOTOR STE4,5 Q3.51/6 3NM R (BT3XX)	SERVOMOTOR STE4,5 Q3.51/6 3NM R (BT3XX)	1
1160	65300980	СЕРВОДВИГАТЕЛЬ STE 4,5 B037/6 R SERVOMOTOR STE 4,5 B037/6 R	ATUADOR STE 4,5 B037/6 R	SERVOMOTOR STE 4,5 B037/6 R	1
1161	65312327	ЧЕХОЛ СЕРВОДВИГАТЕЛЯ SERVOMOTOR KAPAĞI	TAMPA DO ATUADOR	POKRYWA SERWOMOTOR	1
1170	65312555	ЭЛЕКТРОДВИ. 3,0KW 230/400V D28 IE2 ЧЕРН. MOTORU 3,0KW 230/400V D28 IE2 SIYAH	MOTOR 3,0KW 230/400V D28 IE2 PRETO	SILNIK 3,0KW 230/400V D28 IE2 CZARNY	1
	65312556	ЭЛЕКТРОДВИ. 4,0KW 400/690V D28 IE2 ЧЕРН. MOTORU 4,0KW 400/690V D28 IE2 SIYAH	MOTOR 4,0KW 400/690V D28 IE2 PRETO	SILNIK 4,0KW 400/690V D28 IE2 CZARNY	1
	65312557	ЭЛЕКТРОДВИ. 5,5KW 400/690V D38 IE2 ЧЕРН. MOTORU 5,5KW 400/690V D38 IE2 SIYAH	MOTOR 5,5KW 400/690V D38 IE2 PRETO	SILNIK 5,5KW 400/690V D38 IE2 CZARNY	1
	65312558	ЭЛЕКТРОДВИ. 7,5KW 400/690V D38 IE3 ЧЕРН. MOTORU 7,5KW 400/690V D38 IE3 SIYAH	MOTOR 7,5KW 400/690V D38 IE3 PRETO	SILNIK 7,5KW 400/690V D38 IE3 CZARNY	1
1171	65312703	САЛБНИК M25X1,5 ПОЛИАМИД ЧЕРНЫЙ KABLO RAKORU M25X1,5 POLIAMID SIYAH	PRENSAESTOPAS M25X1,5 POLIAMIDA PRETO	DŁAWNICA M25X1,5 POLIAMID CZARNY	1
	65313740	САЛБНИК M20X1,5 ПОЛИАМИД ЧЕРНЫЙ KABLO RAKORU M20X1,5 POLIAMID SIYAH	PRENSAESTOPAS M20X1,5 POLIAMIDA PRETO	DŁAWNICA M20X1,5 POLIAMID CZARNY	1
1200	65312328	ВОЗДУШНАЯ ЗАСЛОНКА В СБОРЕ DONANIMLI HAVA KLAPESİ	CONJUNTO ALETA DE AR	PRZEPUSTNICA POWIETRZA Z OSPRZĘTEM	1
1201	65312331	ПРИВОДНОЙ РЫЧАГ/ВОЗДУШНАЯ ЗАСЛОНКА SÜRÜCÜ KOLU/HAVA KLAPESİ	ALAVANCA ACIONAMENTO ALETA DE AR	DŹWIGNIA NAPĘDU/PRZEPUSTNICA POWIE.	1
1202	65312330	СТЕРЖЕНЬ D10X145 M6 ВОЗДУШНАЯ ЗАСЛОНКА BAĞLANTI D10X145 M6 HAVA KLAPESİ	BIELA D10X145 M6 FLAP DE AR	POŁĄCZENIE D10X145 M6 PRZEPUSTNICA POWI.	1
1203	65312329	ОСЬ/ВОЗДУШНАЯ ЗАСЛ. D34/25X100 FLAT L55 AKSI / HAVA KLAPESİ D34/25X100 FLAT L55	HASTE / FLAP DE AR D34/25X100 FLAT L55	OŚ/PRZEPUSTNICA POW. D34/25X100 FLAT L55	1
1204	65312459	ОСЬ/ВОЗДУШНАЯ ЗАСЛ. D34/25X100 W.POINTER AKSI / HAVA KLAPESİ D34/25X100 W.POINTER	HASTE / FLAP DE AR D34/25X100 W.POINTER	OŚ/PRZEPUSTNICA POW.D34/25X100 W.POINTER	1

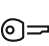

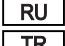
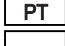
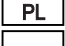

		 			
1510	65312340	ЧЕХОЛ ЭЛЕКТРОННОГО ЩИТА ELEKTRİK MUHAFAZA KAPAĞI	TAMPA DO ARMÁRIO ELÉTRICO	POKRYWA URZĄDZEŃ ELEKTRYCZNYCH	1
1512	65312338	ЗАГЛУШКА/РЕГУЛЯТОР 92X45 IP54 OBTÜRATOER/REGÜLATÖR 92X45 IP54	TAMPA CEGA/CONTROLADOR 92X45 IP54	ZASŁEPKA/REGULATOR 92X45 IP54	1
1520	65326712	ДИСПЛЕЙ БЛОКА УПРАВЛЕНИЯ BT3XX EKRAN KUTU BT3XX	VISOR UNIDADE DE CONTROLE BT3XX	WYŚWIETLACZ MODUŁ BT3XX	1
1525	65311364	ПРОКЛАДКА/DISPLAY 152/140X80/70X2 CONTASI/DISPLAY 152/140X80/70X2	GAXETA/DISPLAY 152/140X80/70X2	USZCZELKA/DISPLAY 152/140X80/70X2	1
1530	65312900	БЛОК УПР. BT340 GLEZ3 ОСНОВНЫЕ НАСТРОЙКИ KUTU BT340 GLEZ3 TEMEL AYARI	PROGRAMADOR BT340 GLEZ3 CONF.BÁSICA	MODUŁ BT340 GLEZ3 USTAWIENIE PODSTAWOWE	1
1540	65311790	МОДУЛЬ LCM100 (LSB-M 667R0500-1) MODÜLÜ LCM100 (LSB-M 667R0500-1)	MÓDULO LCM100 (LSB-M 667R0500-1)	MODUL LCM100 (LSB-M 667R0500-1)	1
1550	65311791	МОДУЛЬ DFM300 (LSB-M 667R0600-1) MODÜLÜ DFM300 (LSB-M 667R0600-1)	MÓDULO DFM300 (LSB-M 667R0600-1)	MODUL DFM300 (LSB-M 667R0600-1)	1
1580	65311776	РАЗЪЕДИНИТ. ЭЛЕКТРОДВИГА. 7,5 kW GV2ME20 DEVRE KESİCİ MOTOR 7,5 kW GV2ME20	DISJUNTOR MOTOR 7,5 kW GV2ME20	WYŁĄCZNIKI SILNIK 7,5 kW GV2ME20	1
	65311794	РАЗЪЕДИНИТ. ЭЛЕКТРОДВИГА. 3-4kW GV2ME14 DEVRE KESİCİ MOTOR 3-4kW GV2ME14	DISJUNTOR MOTOR 3-4kW GV2ME14	WYŁĄCZNIKI SILNIK 3-4kW GV2ME14	1
	65312033	РАЗЪЕДИНИТ. ЭЛЕКТРОДВИГА. 5,5kW GV2ME16 DEVRE KESİCİ MOTOR 5,5kW GV2ME16	DISJUNTOR MOTOR 5,5kW GV2ME16	WYŁĄCZNIKI SILNIK 5,5kW GV2ME16	1
1585	65311945	РАЗЪЕДИНИТ. ЭЛЕКТРОДВИГА. 0,75kW GV2ME07 DEVRE KESİCİ MOTOR 0,75kW GV2ME07	DISJUNTOR MOTOR 0,75kW GV2ME07	WYŁĄCZNIKI SILNIK 0,75kW GV2ME07	1
	65312919	РАЗЪЕДИНИТ. ЭЛЕКТРОДВИГА. 0,55kW GV2ME06 DEVRE KESİCİ MOTOR 0,55kW GV2ME06	DISJUNTOR MOTOR 0,55kW GV2ME06	WYŁĄCZNIKI SILNIK 0,55kW GV2ME06	1
1586	65311795	ВСПОМОГАТЕЛЬНЫЙ ПЕРЕКЛЮЧАТЕЛЬ GVAE11 YARDIMCI ANAHTARI GVAE11	INTERRUPTOR AUXILIAR GVAE11	PRZEŁĄCZNIK POMOCNICZY GVAE11	1
1595	65311793	ВЫКЛЮЧ. ЭЛЕКТРОДВ. SCH D 3-4kW LC1D09P7 KONTAKTOER MOTOR SCH D 3-4kW LC1D09P7	CONTATOR MOTOR SCH D 3-4kW LC1D09P7	STYCZNIK SILNIK SCH D 3-4kW LC1D09P7	1
1596	65311793	ВЫКЛЮЧ. ЭЛЕКТРОДВ. SCH D 3-4kW LC1D09P7 KONTAKTOER MOTOR SCH D 3-4kW LC1D09P7	CONTATOR MOTOR SCH D 3-4kW LC1D09P7	STYCZNIK SILNIK SCH D 3-4kW LC1D09P7	1
	65311947	ВЫКЛЮЧ. ЭЛЕКТРОДВ. SCH D3-7,5kW LC1D18P7 KONTAKTOER MOT. SCH D 3-7,5kW LC1D18P7	CONTATOR MOTOR SCH D 3-7,5kW LC1D18P7	STYCZNIK SILNIK SCH D 3-7,5kW LC1D18P7	1
	65312032	ВЫКЛЮЧ. ЭЛЕКТРОДВ. SCH D 5,5kW LC1D12P7 KONTAKTOER MOTOR SCH D 5,5kW LC1D12P7	CONTATOR MOTOR SCH D 5,5kW LC1D12P7	STYCZNIK SILNIK SCH D 5,5kW LC1D12P7	1
1600	65312334	СИГНАЛЬНАЯ ЛАМПА ЭЛЕКТРОННОГО ЩИТА İKAZ İŞİĞİ ELEKTRİK MUHAFAZA	LUZ INDICADORA DO ARMÁRIO ELÉTRICO	LAMPKA KONTROLNA URZĄDZEŃ ELEKTRY.	1
1601	65313828	ПЕРЕКЛЮЧАТЕЛЬ 3 ПОЗ. МОМЕНТ. СНИМОК ANAHTARI ÜÇ POZİSYONLU ANINDA	INTERRUPTOR MOMENTÂNEO 3 POS.	PRZEŁĄCZNIK 3 POZ. MIGAWKA	1
1602	65312335	ПЕРЕКЛЮЧАТЕЛЬ 2 ПОЗ. ANAHTARI İKİ POZİSYONLU	INTERRUPTOR 2 POS.	PRZEŁĄCZNIK 2 POZ.	1
1610	65311758	САЛБНИК M20 KABLO RAKORU M20	PRENSAESTOPAS M20	DŁAWNICA M20	1
1611	65311451	САЛБНИК M16 KABLO RAKORU M16	PRENSAESTOPAS M16	DŁAWNICA M16	1
1612	65312852	САЛБНИК CLICK M25 KABLO RAKORU CLICK M25	PRENSAESTOPAS CLICK M25	DŁAWNICA CLICK M25	1
1613	65311789	АДАПТЕР BT300/DFM300 RAST5 ADAPTÖR BT300/DFM300 RAST5	ADAPTADOR BT300/DFM300 RAST5	ADAPTER BT300/DFM300 RAST5	1
1700	65311446	ИНСТРУМЕНТЫ WAG 2009-309 İŞLETİM ARAC WAG 2009-309	FERRAMENTA WAG 2009-309	NARZĘD. D.PRZEŁĄCZANIA WAG 2009-309	1
1730	65311792	РЕЛЕ FIN 38.61.8.240.0060 KLL-1W FZ RÖLE FIN 38.61.8.240.0060 KLL-1W FZ	RELE FIN 38.61.8.240.0060 KLL-1W FZ	PRZEKAŹN. FIN 38.61.8.240.0060 KLL-1W FZ	1
2020	65312921	СОПЛО ГОРЕЛКИ D262.5/320/248/270 L380 BRÜLÖR BORUSU D262.5/320/248/270 L380	TUBO D.QUEIMADOR D262.5/320/248/270 L380	RURA PALNIKA D262.5/320/248/270 L380	1
	65312922	СОПЛО ГОРЕЛКИ D323.5/270/320/270 L425 BRÜLÖR BORUSU D323.5/270/320/270 L425	TUBO D.QUEIMADOR D323.5/270/320/270 L425	RURA PALNIKA D323.5/270/320/270 L425	1
	65312927	СОПЛО ГОРЕЛКИ D323.5/340/260/270 L425 BRÜLÖR BORUSU D323.5/340/260/270 L425	TUBO D.QUEIMADOR D323.5/340/260/270 L425	RURA PALNIKA D323.5/340/260/270 L425	1
	65312928	СОПЛО ГОРЕЛКИ D262.5/320/248/270 L500 BRÜLÖR BORUSU D262.5/320/248/270 L500	TUBO D.QUEIMADOR D262.5/320/248/270 L500	RURA PALNIKA D262.5/320/248/270 L500	1
	65312929	СОПЛО ГОРЕЛКИ D323.5/270/320/270 L555 BRÜLÖR BORUSU D323.5/270/320/270 L555	TUBO D.QUEIMADOR D323.5/270/320/270 L555	RURA PALNIKA D323.5/270/320/270 L555	1
	65312930	СОПЛО ГОРЕЛКИ D323.5/340/260/270 L555 BRÜLÖR BORUSU D323.5/340/260/270 L555	TUBO D.QUEIMADOR D323.5/340/260/270 L555	RURA PALNIKA D323.5/340/260/270 L555	1
	65312931	СОПЛО ГОРЕЛКИ D262.5/320/248/270 L620 BRÜLÖR BORUSU D262.5/320/248/270 L620	TUBO D.QUEIMADOR D262.5/320/248/270 L620	RURA PALNIKA D262.5/320/248/270 L620	1
	65312932	СОПЛО ГОРЕЛКИ D323.5/270/320/270 L685 BRÜLÖR BORUSU D323.5/270/320/270 L685	TUBO D.QUEIMADOR D323.5/270/320/270 L685	RURA PALNIKA D323.5/270/320/270 L685	1
	65312933	СОПЛО ГОРЕЛКИ D323.5/340/260/270 L685 BRÜLÖR BORUSU D323.5/340/260/270 L685	TUBO D.QUEIMADOR D323.5/340/260/270 L685	RURA PALNIKA D323.5/340/260/270 L685	1
2070	65313731	КАБЕЛЬ РОЗЖИГА FZLSI 1X1,00Q-CU/СИЛИКОН. ATEŞLEME KABLO. FZLSI 1X1,00Q-CU/SİLİKON	CABO IGNIZACAO FZLSI 1X1,00Q-CU/SILICONE	PRZEWÓD ZAPŁON. FZLSI 1X1,00Q-CU/SILIKON	1

					
2071	65311374	КРУГЛЫЙ РАЗЪЕМ D6.4/КАБЕЛЬ РОЗЖИГА YUVARLAK KONNEKTÖR D6.4/ATEŞLEME KABLOSU	CONECTOR REDONDO D6.4/CABO IGNIZACAO	OKRĄGŁE ZŁĄCZE D6.4/PRZEWÓD ZAPŁONOWY	1
2072	13013226	СОПРОТИВЛЕНИЕ ПРОТИВОПАРАЗИТАРНОЕ ДІРЕНÇ ANTIPARAZİTER	MANÍPULO ANTIPARASITÁRIO	REZYSTANCJA PRZECIWPASOŻYTNICZE	1
2110	65311548	ДЕФЛЕКТОР D240/70 12SL 6DRIL. DEFLEKTOR D240/70 12SL 6DRIL.	DEFLECTOR D240/70 12SL 6DRIL.	DEFLEKTOR D240/70 12SL 6DRIL.	1
	65311567	ДЕФЛЕКТОР D240/70 12SL 6DRIL.+RING D2 DEFLEKTOR D240/70 12SL 6DRIL.+RING D2	DEFLECTOR D240/70 12SL 6DRIL.+RING D2	DEFLEKTOR D240/70 12SL 6DRIL.+RING D2	1
	65311861	ДЕФЛЕКТОР D280/62 12SL 6DRIL. DEFLEKTOR D280/62 12SL 6DRIL.	DEFLECTOR D280/62 12SL 6DRIL.	DEFLEKTOR D280/62 12SL 6DRIL.	1
2120	13016145	ФОРСУНКА MON 30,0GPH 60° PLP PÜSK. MEMESI MON 30,0GPH 60° PLP	BOQUILLA MON 30,0GPH 60° PLP	DYSZA MON 30,0GPH 60° PLP	1
	65323478	ФОРСУНКА MON 15,5GPH 60° PLP PÜSK. MEMESI MON 15,5GPH 60° PLP	BOQUILLA MON 15,5GPH 60° PLP	DYSZA MON 15,5GPH 60° PLP	1
	65323483	ФОРСУНКА MON 19,5GPH 60° PLP PÜSK. MEMESI MON 19,5GPH 60° PLP	BOQUILLA MON 19,5GPH 60° PLP	DYSZA MON 19,5GPH 60° PLP	1
2130	65311556	ГАЗОВЫЕ ДИФУЗОРЫ D25/D16 GAZ DIFÜZÖRLER D25/D16	DIFUSOR GAS D25/D16	DYSZ GAZU D25/D16	1
	65311562	ГАЗОВЫЕ ДИФУЗОРЫ D25/D18 GAZ DIFÜZÖRLER D25/D18	DIFUSOR GAS D25/D18	DYSZ GAZU D25/D18	1
2140	65312597	ФОРСУНКА STE 15,0GPH 60° SS PÜSK. MEMESI STE 15,0GPH 60° SS	BOQUILLA STE 15,0GPH 60° SS	DYSZA STE 15,0GPH 60° SS	1
	65312601	ФОРСУНКА STE 18,0GPH 60° SS PÜSK. MEMESI STE 18,0GPH 60° SS	BOQUILLA STE 18,0GPH 60° SS	DYSZA STE 18,0GPH 60° SS	1
	65312665	ФОРСУНКА STE 24,0GPH 60° S PÜSK. MEMESI STE 24,0GPH 60° S	BOQUILLA STE 24,0GPH 60° S	DYSZA STE 24,0GPH 60° S	1
	65312946	ФОРСУНКА STE 22,0GPH 60° SS PÜSK. MEMESI STE 22,0GPH 60° SS	BOQUILLA STE 22,0GPH 60° SS	DYSZA STE 22,0GPH 60° SS	1
2150	13016145	ФОРСУНКА MON 30,0GPH 60° PLP PÜSK. MEMESI MON 30,0GPH 60° PLP	BOQUILLA MON 30,0GPH 60° PLP	DYSZA MON 30,0GPH 60° PLP	1
	65323483	ФОРСУНКА MON 19,5GPH 60° PLP PÜSK. MEMESI MON 19,5GPH 60° PLP	BOQUILLA MON 19,5GPH 60° PLP	DYSZA MON 19,5GPH 60° PLP	1
	65323485	ФОРСУНКА MON 21,5GPH 60° PLP PÜSK. MEMESI MON 21,5GPH 60° PLP	BOQUILLA MON 21,5GPH 60° PLP	DYSZA MON 21,5GPH 60° PLP	1
2160	65312200	ЭЛЕКТРОД ЗАЖИГАНИЯ D9X50D3X42 130°L150D4 ATEŞLEYİCİ ELEKT. D9X50D3X42 130°L150D4	ELETRODO ENC. D9X50 D3X42 130°L150 D4	ELEKTRODA ALU. D9X50 D3X42 130°L150 D4	1
2170	65311551	ЛИНИЯ ФОРСУНКИ L559 PÜSKÜRTME MEMESI HATTI L559	LÍNEA DE BOQUILLA L559	UKŁAD DYSZY L559	1
	65312942	ЛИНИЯ ФОРСУНКИ L679 PÜSKÜRTME MEMESI HATTI L679	LÍNEA DE BOQUILLA L679	UKŁAD DYSZY L679	1
	65312944	ЛИНИЯ ФОРСУНКИ L799 PÜSKÜRTME MEMESI HATTI L799	LÍNEA DE BOQUILLA L799	UKŁAD DYSZY L799	1
	65312947	ЛИНИЯ ФОРСУНКИ L609 PÜSKÜRTME MEMESI HATTI L609	LÍNEA DE BOQUILLA L609	UKŁAD DYSZY L609	1
	65312949	ЛИНИЯ ФОРСУНКИ L729 PÜSKÜRTME MEMESI HATTI L729	LÍNEA DE BOQUILLA L729	UKŁAD DYSZY L729	1
	65312951	ЛИНИЯ ФОРСУНКИ L849 PÜSKÜRTME MEMESI HATTI L849	LÍNEA DE BOQUILLA L849	UKŁAD DYSZY L849	1
2180	65311550	Гид ЛИНИЯ ФОРСУНКИ L482 TÜR PÜSKÜRTME MEMESI HATTI L482	GUIA LÍNEA DE BOQUILLA L482	PRZEWODNIK UKŁAD DYSZY L482	1
	65312943	Гид ЛИНИЯ ФОРСУНКИ L602 TÜR PÜSKÜRTME MEMESI HATTI L602	GUIA LÍNEA DE BOQUILLA L602	PRZEWODNIK UKŁAD DYSZY L602	1
	65312945	Гид ЛИНИЯ ФОРСУНКИ L722 TÜR PÜSKÜRTME MEMESI HATTI L722	GUIA LÍNEA DE BOQUILLA L722	PRZEWODNIK UKŁAD DYSZY L722	1
	65312948	Гид ЛИНИЯ ФОРСУНКИ L532 TÜR PÜSKÜRTME MEMESI HATTI L532	GUIA LÍNEA DE BOQUILLA L532	PRZEWODNIK UKŁAD DYSZY L532	1
	65312950	Гид ЛИНИЯ ФОРСУНКИ L652 TÜR PÜSKÜRTME MEMESI HATTI L652	GUIA LÍNEA DE BOQUILLA L652	PRZEWODNIK UKŁAD DYSZY L652	1
	65312952	Гид ЛИНИЯ ФОРСУНКИ L792 TÜR PÜSKÜRTME MEMESI HATTI L792	GUIA LÍNEA DE BOQUILLA L792	PRZEWODNIK UKŁAD DYSZY L792	1
2190	65312199	ЭЛЕКТРОД ЗАЖИГАНИЯ D9X50D3X40 130°L150D4 ATEŞLEYİCİ ELEKT. D9X50D3X40 130°L150D4	ELETRODO ENC. D9X50 D3X40 130°L150 D4	ELEKTRODA ALU. D9X50 D3X40 130°L150 D4	1
2200	65310990	ЭЛЕКТРОД ЗАЖИГ. D9X50 D3X71 20° L150 D4 ATEŞLEYİ.ELEKT.D9X50 D3X71 20° L150 D4	ELETROD.ENCEND.D9X50 D3X71 20° L150 D4	ELEKTRODA ALU.D9X50 D3X71 20° L150 D4	1
2220	65311555	ДЕРЖАТЕЛЬ ЭЛЕКТРОД ЗАЖИГАНИЯ(ДИЗЕЛЬНОГО) DESTEGİ ATEŞLEYİCİ ELEKTROD (YAKIT)	SUPORTE ELETRODO ENCENDIDO (FUEL)	WSPORNIK ELEKTRODA ALU. (OLEJU)	1
2260	65311491	O-RING 6387D97,79X5,33 NBR O-RING 6387D97,79X5,33 NBR	O-RING 6387D97,79X5,33 NBR	O-RING 6387D97,79X5,33 NBR	1
2370	65311482	ПРОКЛАДКА/GAS NOZZLE D74/45X3 CONTASI/GAS NOZZLE D74/45X3	GAXETA/DIFUSOR GAS D74/45X3	USZCZELKA/GAS NOZZLE D74/45X3	1
2400	65311454	O-RING D30X4 O-RING D30X4	O-RING D30X4	O-RING D30X4	1

		<table border="1"><tr><td><b>RU</b></td></tr><tr><td><b>TR</b></td></tr></table>	<b>RU</b>	<b>TR</b>	<table border="1"><tr><td><b>PT</b></td></tr><tr><td></td></tr></table>	<b>PT</b>		<table border="1"><tr><td><b>PL</b></td></tr><tr><td></td></tr></table>	<b>PL</b>		
<b>RU</b>											
<b>TR</b>											
<b>PT</b>											
<b>PL</b>											
2405	65311559	ТРУБКА ДИЗЕЛЬНОГО 3 СТУПЕНЬ TUPLU YAKIT 3. ORAN	TUBO FUEL ESTÁGIO 3	BORUSU OLEJU 3. STOPIEŃ	1						
2410	65311558	ТРУБКА ДИЗЕЛЬНОГО 2 СТУПЕНЬ TUPLU YAKIT 2. ORAN	TUBO FUEL ESTÁGIO 2	BORUSU OLEJU 2. STOPIEŃ	1						
2415	65311557	ТРУБКА ДИЗЕЛЬНОГО 1 СТУПЕНЬ TUPLU YAKIT 1. ORAN	TUBO FUEL ESTÁGIO 1	BORUSU OLEJU 1. STOPIEŃ	1						
2420	65311554	ДЕРЖАТЕЛЬ БЛОК РАСПРЕДЕЛ. МАСЛА 3 ШАГАХ DESTEĞİ BLOK DAĞITIM PETROL 3 ADIM	SUPORTE BLOCO DISTRIBUIÇÃO ÓLEO 3 ESTÁG.	WSPORNIK BLOK DYSTRYBUCJI OLEJU 3 CHODA.	1						
2425	65311568	ЭЛЕКТРОКЛАПАН PAR PM140.4 G1/4"DZH14 ELECTROVANA PAR PM140.4 G1/4"DZH14	ELECTROVALVULA PAR PM140.4 G1/4"DZH14	ELEKTROZAWOR PAR PM140.4 G1/4"DZH14	1						
2430	65311552	БЛОК МАСЛОРАСПРЕДЕЛИ. 30X30X120 3 ЭТАПА BLOĞU YAĞ DAĞITICISI 30X30X120 3 AŞAMAL.	BLOCO DISTRIBUIDOR ÓLEO 30X30X120 3 TAP.	BLOK DYSTRYBUTOR OLEJ. 30X30X120 3 STOP.	1						
2435	65311599	ПРЯМОЙ ШТУЦЕР 10 L-R3/8 SAĞ RAKOR 10 L-R3/8	UNIÃO DIREITA 10 L-R3/8	ZŁĄCZE PRAWO 10 L-R3/8	1						
2440	65311553	ПОЛЫЙ ВИНТ 1/4 Z IÇİ BOŞ VIDA 1/4 Z	PARAFUSO OCO 1/4 Z	ŚRUBA WYDRAŻONA 1/4 Z	1						
2445	65312941	ШТУЦЕР BANJO K-SWR NW 03 HS RAKOR BANJO K-SWR NW 03 HS	UNIÃO BANJO K-SWR NW 03 HS	ZŁĄCZE BANJO K-SWR NW 03 HS	1						
2450	65313597	РАЗЪЕМ 3-ПОЛЮС/РЕ ЧЁРНЫЙ PRIZ 3-KUTUPLU/PE SIYAH	TOMADA 3-POLOS/PE PRETA	GNIAZDO 3-BIEGUNOWE/PE CZARNY	1						
2455	65312953	УПЛОТНИТЕЛЬНОЕ КОЛЬЦО 20,57/13,74X2,1 CONTA BILEZİĞİ 20,57/13,74X2,1	ANEL VEDANTE 20,57/13,74X2,1	USZCZELKA 20,57/13,74X2,1	1						
2510	65311564	ЭЛЕКТРОДВИГАТЕЛЬ 0,75KW 230/400V GMP MOTORU 0,75KW 230/400V GMP	MOTOR 0,75KW 230/400V GMP	SILNIK 0,75KW 230/400V GMP	1						
	65322836	ЭЛЕКТРОДВИГАТЕЛЬ 0,55KW 230/400V D12,7 MOTORU 0,55KW 230/400V D12,7 T41/3011	MOTOR 0,55KW 230/400V D12,7 T41/3011	SILNIK 0,55KW 230/400V D12,7 T41/3011	1						
2520	65312206	РЕЛЕ ДАВ. ВОЗДУХА DSB 158 F931 3-25BAR YAKIT BASINÇ ŞALT. DSB 158 F931 3-25BAR	PRESSOSTATO FUEL DSB 158 F931 3-25BAR	CZUJNIK CIŚ. OLEJU OP. DSB158 F931 3-25BAR	1						
2526	65311616	ПРОКЛАДКА GDM 3-21 CONTASI GDM 3-21	GAXETA GDM 3-21	USZCZELKA GDM 3-21	1						
2530	65311452	ЭЛЕКТРОКЛАПАН LUC 321H2523 19W 230V ELECTROVANA LUC 321H2523 19W 230V	ELECTROVALVULA LUC 321H2523 19W 230V	ELEKTROZAWOR LUC 321H2523 19W 230V	1						
2560	65312937	T-ШТУЦЕР P-ELVD 10 L T-RAKOR P-ELVD 10 L	UNIÃO EM T P-ELVD 10 L	T-ZŁĄCZE P-ELVD 10 L	1						
2590	65311615	РАЗЪЕМ GDMW 30-11 DF PRIZ GDMW 30-11 DF	TOMADA GDMW 30-11 DF	GNIAZDO GDMW 30-11 DF	1						
2610	65311578	T-ШТУЦЕР R3/4Z (ФИЛЬТР) OVE T-RAKOR R3/4Z (FILTRE) OVE	UNIÃO EM T R3/4Z (FILTRO) OVE	T-ZŁĄCZE R3/4Z (FILTRO) OVE	1						
2700	65311565	НАСОС J7 CCC 1001 4P POMPA J7 CCC 1001 4P	BOMBA J7 CCC 1001 4P	POMPA J7 CCC 1001 4P	1						
	65311577	НАСОС TA 3C 40107 POMPA TA 3C 40107	BOMBA TA 3C 40107	POMPA TA 3C 40107	1						
2750	13019342	ШЛАНГ M30X1,5 DN20 L=1500 ESNEK M30X1,5 DN20 L=1500	FLEXIVEL M30X1,5 DN20 L=1500	PRZEWÓD GIĘTKI M30X1,5 DN20 L=1500	1						
3005	65321049	ПРОКЛАДКА/GASTRAIN D125/90X3 CONTASI/GASTRAIN D125/90X3	GAXETA/GASTRAIN D125/90X3	USZCZELKA/GASTRAIN D125/90X3	1						
3010	65311488	КОЛЛЕКТОР DN65-R2Z 2G1/4 PN16 MANIFOLD DN65-R2Z 2G1/4 PN16	COLETOR DN65-R2Z 2G1/4 PN16	KOLEKTOR DN65-R2Z 2G1/4 PN16	1						
	65311503	КОЛЛЕКТОР DN65-R1 1/2Z 2G1/4 PN16 MANIFOLD DN65-R1 1/2Z 2G1/4 PN16	COLETOR DN65-R1 1/2Z 2G1/4 PN16	KOLEKTOR DN65-R1 1/2Z 2G1/4 PN16	1						
3020	65311606	ПРЯМОЙ ШТУЦЕР P-GEV 8LR-WD-VI SAĞ RAKOR P-GEV 8LR-WD-VI	UNIÃO DIREITA P-GEV 8LR-WD-VI	ZŁĄCZE PRAWO P-GEV 8LR-WD-VI	1						
3030	65311604	УГЛОВОЙ ШТУЦЕР P-EWV 8-L DIRSEKLI RAKOR P-EWV 8-L	UNIÃO COTOVELO P-EWV 8-L	ZŁĄCZKA TYPU KOLANKO P-EWV 8-L	1						
3040	65311579	ШТУЦЕР ОТБОРА ДАВЛЕНИЯ R1/4Z+УПЛОТ. BASINÇ GIRIŞİ R1/4Z+CONTA	TOMADA DE PRESSÃO R1/4Z+JUNTA	GNAZ. POMIARU CIŚNIEN. R1/4Z+USZCZEL	1						
3060	65311580	ГАЗОВЫЙ КЛАПАН VGD20 4011 RP1"1/2 GAZ VANASI VGD20 4011 RP1"1/2	VALVULA GAS VGD20 4011 RP1"1/2	ZAWÓR GAZOWY VGD20 4011 RP1"1/2	1						
	65311581	ГАЗОВЫЙ КЛАПАН VGD20 5011 RP2" GAZ VANASI VGD20 5011 RP2"	VALVULA GAS VGD20 5011 RP2"	ZAWÓR GAZOWY VGD20 5011 RP2"	1						
3070	65107100	СЕРВОДВИГАТЕЛЬ SKP25.003 E2 БЕЗ КОНЦЕВЫ SERVOMOTOR SKP 25.003 E2 LIMIT ANAHTAR	SERVOMOT. GÁS SKP25.003 E2 SEM FIM CURSO	SERWOSILNIK SKP25.003E2 BEZ WYŁĄCZNIKI	1						
3080	65311585	КАБЕЛЬ CONNECT AGA 62 PLUG DIN L270 KABLOSU CONNECT AGA 62 PLUG DIN L270	CABO CONNECT AGA 62 TOMADA DIN L270	PRZEWÓD CONNECT AGA 62 PLUG DIN L270	1						
3090	1478836180	СЕРВОДВИГАТЕЛЬ SKP15.000E2 БЕЗ КОНЦЕВЫ SERVOMOTOR SKP15.000E2 LIMIT ANAHTAR	SERVOMOTOR GAS SKP15.000E2 SEM FIM CURSA	SERWOSILNIK SKP15.000E2 BEZ WYŁĄCZNIKI	1						
3110	65311377	ФЛАНЕЦ AGF10.50 RP2 FLANŞI AGF10.50 RP2	FLANGE AGF10.50 RP2	KOŁNIERZ AGF10.50 RP2	1						
	65313107	ФЛАНЕЦ AGF10 RP1 1/2 FLANŞI AGF10 RP1 1/2	FLANGE AGF10 RP1 1/2	KOŁNIERZ AGF10 RP1 1/2	1						
3120	13010091	РЕЛЕ ДАВ. ВОЗДУХА GW 500 A5 100-500MB GAZ BASINÇ ŞALT. GW 500 A5 100-500MB	PRESSOSTATO GAS GW 500 A5 100-500MB	CZUJNIK CIŚ. GAZU GW 500 A5 100-500MB	1						

					
	XXXXXXXX	RU TR	PT	PL	
	65311597	РЕЛЕ ДАВ. ГАЗА GW 150 A6 10-150MB DIN GAZ BASINÇ ŞALT. GW 150 A6 10-150MB DIN	PRESSOSTATO GÁS GW 150 A6 10-150MB DIN	CZUJNIK CIŚ. GAZU GW 150 A6 10-150MB DIN	1
3130	65311586	ГНЕЗДОВОЙ РАЗЪЕМ AGA64 DIŞI PRIZ AGA64	TOMADA FÊMEA AGA64	GNIAZDO AGA64	1
3140	65311615	РАЗЪЕМ GDMW 30-11 DF PRIZ GDMW 30-11 DF	TOMADA GDMW 30-11 DF	GNIAZDO GDMW 30-11 DF	1
3300	65311458	ГАЗОВ. ФИЛЬТР GF80M-1212-A-1 RP1 1/2 1BAR GAZ FILTR. GF80M-1212-A-1 RP1 1/2 1BAR	FILTRO GÁS GF80M-1212-A-1 RP1 1/2 1BAR	FILTR GAZU GF80M-1212-A-1 RP1 1/2 1BAR	1
	65311459	ГАЗОВЫЙ ФИЛЬТР GF80M-1616-A-1 RP2 1BAR GAZ FILTR. GF80M-1616-A-1 RP2 1BAR	FILTRO GÁS GF80M-1616-A-1 RP2 1BAR	FILTR GAZU GF80M-1616-A-1 RP2 1BAR	1
	65311460	ГАЗОВЫЙ ФИЛЬТР GF65MF-2020-A-1 DN65 1BAR GAZ FILTR. GF65MF-2020-A-1 DN65 1BAR	FILTRO GÁS GF65MF-2020-A-1 DN65 1BAR	FILTR GAZU GF65MF-2020-A-1 DN65 1BAR	1
	65311461	ГАЗОВЫЙ ФИЛЬТР GF80MF-2424-A-1 DN80 1BAR GAZ FILTR. GF80MF-2424-A-1 DN80 1BAR	FILTRO GÁS GF80MF-2424-A-1 DN80 1BAR	FILTR GAZU GF80MF-2424-A-1 DN80 1BAR	1
3301	65311361	ФИЛЬТРУЮЩИЙ ЭЛЕМЕНТ GF 80M FILTRE ELEMANI GF 80M	ELEMENTO FILTRANTE GF 80M	WKŁAD FILTRA GF 80M	1
	65311723	ФИЛЬТРУЮЩИЙ ЭЛЕМЕНТ GF65MF FILTRE ELEMANI GF65MF	ELEMENTO FILTRANTE GF65MF	WKŁAD FILTRA GF65MF	1
	65311888	ФИЛЬТРУЮЩИЙ ЭЛЕМЕНТ GF80MF FILTRE ELEMANI GF80MF	ELEMENTO FILTRANTE GF80MF	WKŁAD FILTRA GF80MF	1
3505	65321049	ПРОКЛАДКА/GASTRAIN D125/90X3 CONTASI/GASTRAIN D125/90X3	GAXETA/GASTRAIN D125/90X3	USZCZELKA/GASTRAIN D125/90X3	1
3510	65311836	КОЛЛЕКТОР DN65-R1 1/2Z PN16 MANIFOLD DN65-R1 1/2Z PN16	COLETOR DN65-R1 1/2Z PN16	KOLEKTOR DN65-R1 1/2Z PN16	1
	65311837	КОЛЛЕКТОР DN65-R2Z PN16 MANIFOLD DN65-R2Z PN16	COLETOR DN65-R2Z PN16	KOLEKTOR DN65-R2Z PN16	1
3580	65311838	ГАЗОВЫЙ КЛ. MBC300SES82 5-80M BAR GAZ VANA. MBC300 SE S82 5-80MB	VÁLVULA GÁS MBC300 SE S82 5-80MB	ZAWÓR GAZ. MBC300SES82 5-80MB	1
	65311839	ГАЗОВЫЙ КЛАПАН MBC700SES82RP1"1/4 5-80M GAZ VANA. MBC700SES82 RP1"1/4 5-80MB	VÁLVULA GÁS MBC700SE S82 RP1"1/4 5-80MB	ZAWÓR GAZ. MBC700SES82RP1"1/4 5-80MB	1
	65311840	ГАЗОВЫЙ КЛАПАН MBC1200SES82RP2" 5-80M GAZ VANA. MBC1200 SE S82 RP2" 5-80MB	VÁLVULA GÁS MBC1200 SE S82 RP2" 5-80MBA	ZAWÓR GAZ. MBC1200SES82 RP2" 5-80MB	1
3620	65311841	ФЛАНЕЦ MBC300 RP1 1/2 FLANŞI MBC300 RP1 1/2	FLANGE MBC300 RP1 1/2	KOŁNIERZ MBC300 RP1 1/2	1
	65313021	ФЛАНЕЦ MBC700/1200 RP1 1/2 FLANŞI MBC700/1200 RP1 1/2	FLANGE MBC700/1200 RP1 1/2	KOŁNIERZ MBC700/1200 RP1 1/2	1
	65313022	ФЛАНЕЦ MBC700/1200 RP2 FLANŞI MBC700/1200 RP2	FLANGE MBC700/1200 RP2	KOŁNIERZ MBC700/1200 RP2	1
3640	13010091	РЕЛЕ ДАВ. ВОЗДУХА GW 500 A5 100-500MB GAZ BASINÇ ŞALT. GW 500 A5 100-500MB	PRESSOSTATO GAS GW 500 A5 100-500MB	CZUJNIK CIŚ. GAZU GW 500 A5 100-500MB	1
	65311598	РЕЛЕ ДАВ. ВОЗДУХА GW 150 A5 30-150MB GAZ BASINÇ ŞALT. GW 150 A5 30-150MB	PRESSOSTATO GAS GW 150 A5 30-150MB	CZUJNIK CIŚ. GAZU GW 150 A5 30-150MB	1
3650	65311615	РАЗЪЕМ GDMW 30-11 DF PRIZ GDMW 30-11 DF	TOMADA GDMW 30-11 DF	GNIAZDO GDMW 30-11 DF	1
3700	13022415	СЕТЧАТЫЙ ФИЛЬТР/ГАЗОВЫЙ КЛАПАН MBC300 FILTRE SÜZGECI/GAZ VANASI MBC300	ELEMENTO FILTRANTE/VÁLVULA DE GÁS MBC300	FILTR SITOWY/ZAWÓR GAZOWY MBC300	1
	13022416	СЕТЧАТЫЙ ФИЛЬТР/ГАЗОВЫЙ КЛАПАН MBC700 FILTRE SÜZGECI/GAZ VANASI MBC700	ELEMENTO FILTRANTE/VÁLVULA DE GÁS MBC700	FILTR SITOWY/ZAWÓR GAZOWY MBC700	1
	13022417	СЕТЧАТЫЙ ФИЛЬТР/ГАЗОВЫЙ КЛАП. MBC1200 FILTRE SÜZGECI/GAZ VANASI MBC1200	ELEMENTO FILTRANTE/VÁLVULA GÁS MBC1200	FILTR SITOWY/ZAWÓR GAZOWY MBC1200	1
3800	65311458	ГАЗОВ. ФИЛЬТР GF80M-1212-A-1 RP1 1/2 1BAR GAZ FILTR. GF80M-1212-A-1 RP1 1/2 1BAR	FILTRO GÁS GF80M-1212-A-1 RP1 1/2 1BAR	FILTR GAZU GF80M-1212-A-1 RP1 1/2 1BAR	1
	65311459	ГАЗОВЫЙ ФИЛЬТР GF80M-1616-A-1 RP2 1BAR GAZ FILTR. GF80M-1616-A-1 RP2 1BAR	FILTRO GÁS GF80M-1616-A-1 RP2 1BAR	FILTR GAZU GF80M-1616-A-1 RP2 1BAR	1
	65311460	ГАЗОВЫЙ ФИЛЬТР GF65MF-2020-A-1 DN65 1BAR GAZ FILTR. GF65MF-2020-A-1 DN65 1BAR	FILTRO GÁS GF65MF-2020-A-1 DN65 1BAR	FILTR GAZU GF65MF-2020-A-1 DN65 1BAR	1
	65311461	ГАЗОВЫЙ ФИЛЬТР GF80MF-2424-A-1 DN80 1BAR GAZ FILTR. GF80MF-2424-A-1 DN80 1BAR	FILTRO GÁS GF80MF-2424-A-1 DN80 1BAR	FILTR GAZU GF80MF-2424-A-1 DN80 1BAR	1
3801	65311361	ФИЛЬТРУЮЩИЙ ЭЛЕМЕНТ GF 80M FILTRE ELEMANI GF 80M	ELEMENTO FILTRANTE GF 80M	WKŁAD FILTRA GF 80M	1
	65311723	ФИЛЬТРУЮЩИЙ ЭЛЕМЕНТ GF65MF FILTRE ELEMANI GF65MF	ELEMENTO FILTRANTE GF65MF	WKŁAD FILTRA GF65MF	1
	65311888	ФИЛЬТРУЮЩИЙ ЭЛЕМЕНТ GF80MF FILTRE ELEMANI GF80MF	ELEMENTO FILTRANTE GF80MF	WKŁAD FILTRA GF80MF	1
4005	65321049	ПРОКЛАДКА/GASTRAIN D125/90X3 CONTASI/GASTRAIN D125/90X3	GAXETA/GASTRAIN D125/90X3	USZCZELKA/GASTRAIN D125/90X3	1
4010	65311494	КОЛЛЕКТОР DN65-DN80 PN16 MANIFOLD DN65-DN80 PN16	COLETOR DN65-DN80 PN16	KOLEKTOR KDN65-DN80 PN16	1
	65311506	КОЛЛЕКТОР DN65-DN65 PN16 MANIFOLD DN65-DN65 PN16	COLETOR DN65-DN65 PN16	KOLEKTOR DN65-DN65 PN16	1
	65311508	КОЛЛЕКТОР DN65-DN100 PN16 MANIFOLD DN65-DN100 PN16	COLETOR DN65-DN100 PN16	KOLEKTOR DN65-DN100 PN16	1

					
	65311509	КОЛЛЕКТОР DN65-DN125 PN16 MANIFOLD DN65-DN125 PN16	COLETOR DN65-DN125 PN16	KOLEKTOR DN65-DN125 PN16	1
4020	65311601	ПРЯМОЙ ШТУЦЕР P-EGES 12L/R 1/4WD SAĞ RAKOR P-EGES 12L/R 1/4WD	CONEXÃO DIREITA P-EGES 12L/R 1/4WD	ZŁĄCZE PRAWO P-EGES 12L/R 1/4WD	1
4030	65311605	ШТУЦЕР P-KV12L RAKOR P-KV12L	CONEXÃO P-KV12L	ZŁĄCZE P-KV12L	1
4040	65311603	УГЛОВОЙ ШТУЦЕР P-EWS 12 L-SS DIRSEKLI RAKOR P-EWS 12 L-SS	UNIÃO COTOVELO P-EWS 12 L-SS	ZŁĄCZKA TYPU KOLANKO P-EWS 12 L-SS	1
4060	65311607	КРЫШКА VSD 12L/S O.M.MB. TAPA VSD 12L/S O.M.MB.	TAMPA VSD 12L/S O.M.MB.	NAKRĘTKA VSD 12L/S O.M.MB.	1
4080	65311453	ГАЗОВЫЙ КЛАПАН VGD40 125 DN125 GAZ VANASI VGD40 125 DN125	VALVULA GAS VGD40 125 DN125	ZAWÓR GAZOWY VGD40 125 DN125	1
	65311583	ГАЗОВЫЙ КЛАПАН VGD40 080 DN80 GAZ VANASI VGD40 080 DN80	VALVULA GAS VGD40 080 DN80	ZAWÓR GAZOWY VGD40 080 DN80	1
	65311590	ГАЗОВЫЙ КЛАПАН VGD40 100 DN100 GAZ VANASI VGD40 100 DN100	VALVULA GAS VGD40 100 DN100	ZAWÓR GAZOWY VGD40 100 DN100	1
	65323661	ГАЗОВЫЙ КЛАПАН VGD40 065 DN65 GAZ VANASI VGD40 065 DN65	VÁLVULA GÁS VGD40 065 DN65	ZAWÓR GAZOWY VGD40 065 DN65	1
4090	65107100	СЕРВОДВИГАТЕЛЬ SKP25.003 E2 БЕЗ КОНЦЕВЫ SERVOMOTOR SKP 25.003 E2 LIMIT ANAHTAR	SERVOMOT. GÁS SKP25.003 E2 SEM FIM CURSO	SERWOSILNIK SKP25.003E2 BEZ WYŁĄCZNIKI	1
4100	65311585	КАБЕЛЬ CONNECT AGA 62 PLUG DIN L270 KABLOSU CONNECT AGA 62 PLUG DIN L270	CABO CONNECT AGA 62 TOMADA DIN L270	PRZEWÓD CONNECT AGA 62 PLUG DIN L270	1
4110	1478836180	СЕРВОДВИГАТЕЛЬ SKP15.000E2 БЕЗ КОНЦЕВЫ SERVOMOTOR SKP15.000E2 LIMIT ANAHTAR	SERVOMOTOR GAS SKP15.000E2 SEM FIM CURSA	SERWOSILNIK SKP15.000E2 BEZ WYŁĄCZNIKI	1
4120	65311342	ПРОКЛАДКА/GASTRAIN D218/169X2 DN150 CONTASI/GASTRAIN D218/169X2 DN150	GAXETA/GASTRAIN D218/169X2 DN150	USZCZELKA/GASTRAIN D218/169X2 DN150	1
	65311611	ПРОКЛАДКА/GASTRAIN D127/77X2 DN65 CONTASI/GASTRAIN D127/77X2 DN65	GAXETA/GASTRAIN D127/77X2 DN65	USZCZELKA/GASTRAIN D127/77X2 DN65	1
	65311612	ПРОКЛАДКА/GASTRAIN D142/90X2 DN80 CONTASI/GASTRAIN D142/90X2 DN80	GAXETA/GASTRAIN D142/90X2 DN80	USZCZELKA/GASTRAIN D142/90X2 DN80	1
	65311613	ПРОКЛАДКА/GASTRAIN D162/115X2 DN100 CONTASI/GASTRAIN D162/115X2 DN100	GAXETA/GASTRAIN D162/115X2 DN100	USZCZELKA/GASTRAIN D162/115X2 DN100	1
	65311614	ПРОКЛАДКА/GASTRAIN D192/141X2 DN125 CONTASI/GASTRAIN D192/141X2 DN125	GAXETA/GASTRAIN D192/141X2 DN125	USZCZELKA/GASTRAIN D192/141X2 DN125	1
4130	65311586	ГНЕЗДОВОЙ РАЗЪЕМ AGA64 DIŞI PRIZ AGA64	TOMADA FÊMEA AGA64	GNIAZDO AGA64	1
4140	65311615	РАЗЪЕМ GDMW 30-11 DF PRIZ GDMW 30-11 DF	TOMADA GDMW 30-11 DF	GNIAZDO GDMW 30-11 DF	1
4150	13010091	РЕЛЕ ДАВ. ВОЗДУХА GW 500 A5 100-500MB GAZ BASINÇ ŞALT. GW 500 A5 100-500MB	PRESSOSTATO GAS GW 500 A5 100-500MB	CZUJNIK CIŚ. GAZU GW 500 A5 100-500MB	1
	65311597	РЕЛЕ ДАВ. ГАЗА GW 150 A6 10-150MB DIN GAZ BASINÇ ŞALT. GW 150 A6 10-150MB DIN	PRESSOSTATO GÁS GW 150 A6 10-150MB DIN	CZUJNIK CIŚ. GAZU GW 150 A6 10-150MB DIN	1
4300	65311460	ГАЗОВЫЙ ФИЛЬТР GF65MF-2020-A-1 DN65 1BAR GAZ FILTR. GF65MF-2020-A-1 DN65 1BAR	FILTRO GÁS GF65MF-2020-A-1 DN65 1BAR	FILTR GAZU GF65MF-2020-A-1 DN65 1BAR	1
	65311461	ГАЗОВЫЙ ФИЛЬТР GF80MF-2424-A-1 DN80 1BAR GAZ FILTR. GF80MF-2424-A-1 DN80 1BAR	FILTRO GÁS GF80MF-2424-A-1 DN80 1BAR	FILTR GAZU GF80MF-2424-A-1 DN80 1BAR	1
	65311462	ГАЗОВЫЙ ФИЛЬТР GF100MF-3232-A-1 DN100 1B GAZ FILTR. GF100MF-3232-A-1 DN100 1BAR	FILTRO GÁS GF100MF-3232-A-1 DN100 1BAR	FILTR GAZU GF100MF-3232-A-1 DN100 1BAR	1
	65311463	ГАЗОВЫЙ ФИЛЬТР GF125MF-4040-A-1 DN125 1B GAZ FILTR. GF125MF-4040-A-1 DN125 1BAR	FILTRO GÁS GF125MF-4040-A-1 DN125 1BAR	FILTR GAZU GF125MF-4040-A-1 DN125 1BAR	1
	65311892	ГАЗОВЫЙ ФИЛЬТР GF150MF-4848-A-1 DN150 1B GAZ FILTR. GF150MF-4848-A-1 DN150 1BAR	FILTRO GÁS GF150MF-4848-A-1 DN150 1BAR	FILTR GAZU GF150MF-4848-A-1 DN150 1BAR	1
4301	65311623	ФИЛЬТРУЮЩИЙ ЭЛЕМЕНТ GF150MF FILTRE ELEMANI GF150MF	ELEMENTO FILTRANTE GF150MF	WKŁAD FILTRA GF150MF	1
	65311723	ФИЛЬТРУЮЩИЙ ЭЛЕМЕНТ GF65MF FILTRE ELEMANI GF65MF	ELEMENTO FILTRANTE GF65MF	WKŁAD FILTRA GF65MF	1
	65311888	ФИЛЬТРУЮЩИЙ ЭЛЕМЕНТ GF80MF FILTRE ELEMANI GF80MF	ELEMENTO FILTRANTE GF80MF	WKŁAD FILTRA GF80MF	1
	65311889	ФИЛЬТРУЮЩИЙ ЭЛЕМЕНТ GF100MF FILTRE ELEMANI GF100MF	ELEMENTO FILTRANTE GF100MF	WKŁAD FILTRA GF100MF	1
	65311890	ФИЛЬТРУЮЩИЙ ЭЛЕМЕНТ GF125MF FILTRE ELEMANI GF125MF	ELEMENTO FILTRANTE GF125MF	WKŁAD FILTRA GF125MF	1
4505	65321049	ПРОКЛАДКА/GASTRAIN D125/90X3 CONTASI/GASTRAIN D125/90X3	GAXETA/GASTRAIN D125/90X3	USZCZELKA/GASTRAIN D125/90X3	1
4510	65311494	КОЛЛЕКТОР DN65-DN80 PN16 MANIFOLD DN65-DN80 PN16	COLETOR DN65-DN80 PN16	KOLEKTOR KDN65-DN80 PN16	1
	65311506	КОЛЛЕКТОР DN65-DN65 PN16 MANIFOLD DN65-DN65 PN16	COLETOR DN65-DN65 PN16	KOLEKTOR DN65-DN65 PN16	1
	65311508	КОЛЛЕКТОР DN65-DN100 PN16 MANIFOLD DN65-DN100 PN16	COLETOR DN65-DN100 PN16	KOLEKTOR DN65-DN100 PN16	1
4520	65311601	ПРЯМОЙ ШТУЦЕР P-EGES 12L/R 1/4WD SAĞ RAKOR P-EGES 12L/R 1/4WD	CONEXÃO DIREITA P-EGES 12L/R 1/4WD	ZŁĄCZE PRAWO P-EGES 12L/R 1/4WD	1

					
4530	65311344	T-ШТУЦЕР P-TV 12 L T-RAKOR P-TV 12 L	CONEXÃO EM T P-TV 12 L	T-ZŁĄCZKA P-TV 12 L	1
4560	65311607	КРЫШКА VSD 12L/S O.M.MB. TAPA VSD 12L/S O.M.MB.	TAMPA VSD 12L/S O.M.MB.	NAKRĘTKA VSD 12L/S O.M.MB.	1
4580	65311844	ГАЗОВЫЙ КЛАПАН MBC1900SEDN65 40-80MBAR GAZ VANASI MBC1900SE DN65 40-80 MBAR	VÁLVULA GÁS MBC1900SE DN65 40-80MBAR	ZAWÓR GAZ. MBC1900SE DN65 40-80 MBAR	1
	65311845	ГАЗОВЫЙ КЛАПАН MBC3100SE DN80 40-80MBAR GAZ VANASI MBC3100SE DN80 40-80 MBAR	VÁLVULA GÁS MBC3100 SE DN80 40-80 MBAR	ZAWÓR GAZ. MBC3100SE DN80 40-80 MBAR	1
	65311846	ГАЗОВЫЙ КЛАПАН MBC5000SE DN100 40-80MB GAZ VANASI MBC5000 SE DN100 40-80 MB	VÁLVULA GÁS MBC5000 SE DN100 40-80 MBAR	ZAWÓR GAZ.MBC5000SE DN100 40-80MBAR	1
4620	65311342	ПРОКЛАДКА/GASTRAIN D218/169X2 DN150 CONTASI/GASTRAIN D218/169X2 DN150	GAXETA/GASTRAIN D218/169X2 DN150	USZCZELKA/GASTRAIN D218/169X2 DN150	1
	65311611	ПРОКЛАДКА/GASTRAIN D127/77X2 DN65 CONTASI/GASTRAIN D127/77X2 DN65	GAXETA/GASTRAIN D127/77X2 DN65	USZCZELKA/GASTRAIN D127/77X2 DN65	1
	65311612	ПРОКЛАДКА/GASTRAIN D142/90X2 DN80 CONTASI/GASTRAIN D142/90X2 DN80	GAXETA/GASTRAIN D142/90X2 DN80	USZCZELKA/GASTRAIN D142/90X2 DN80	1
	65311613	ПРОКЛАДКА/GASTRAIN D162/115X2 DN100 CONTASI/GASTRAIN D162/115X2 DN100	GAXETA/GASTRAIN D162/115X2 DN100	USZCZELKA/GASTRAIN D162/115X2 DN100	1
	65311614	ПРОКЛАДКА/GASTRAIN D192/141X2 DN125 CONTASI/GASTRAIN D192/141X2 DN125	GAXETA/GASTRAIN D192/141X2 DN125	USZCZELKA/GASTRAIN D192/141X2 DN125	1
4640	13010091	РЕЛЕ ДАВ. ВОЗДУХА GW 500 A5 100-500MB GAZ BASINÇ ŞALT. GW 500 A5 100-500MB	PRESSOSTATO GAS GW 500 A5 100-500MB	CZUJNIK CIŚ. GAZU GW 500 A5 100-500MB	1
	65311597	РЕЛЕ ДАВ. ГАЗА GW 150 A6 10-150MB DIN GAZ BASINÇ ŞALT. GW 150 A6 10-150MB DIN	PRESSOSTATO GÁS GW 150 A6 10-150MB DIN	CZUJNIK CIŚ. GAZU GW 150 A6 10-150MB DIN	1
4650	65311615	РАЗЪЕМ GDMW 30-11 DF PRIZ GDMW 30-11 DF	TOMADA GDMW 30-11 DF	GNIAZDO GDMW 30-11 DF	1
4800	65311460	ГАЗОВЫЙ ФИЛЬТР GF65MF-2020-A-1 DN65 1BAR GAZ FILTR. GF65MF-2020-A-1 DN65 1BAR	FILTRO GÁS GF65MF-2020-A-1 DN65 1BAR	FILTR GAZU GF65MF-2020-A-1 DN65 1BAR	1
	65311461	ГАЗОВЫЙ ФИЛЬТР GF80MF-2424-A-1 DN80 1BAR GAZ FILTR. GF80MF-2424-A-1 DN80 1BAR	FILTRO GÁS GF80MF-2424-A-1 DN80 1BAR	FILTR GAZU GF80MF-2424-A-1 DN80 1BAR	1
	65311462	ГАЗОВЫЙ ФИЛЬТР GF100MF-3232-A-1 DN100 1B GAZ FILTR. GF100MF-3232-A-1 DN100 1BAR	FILTRO GÁS GF100MF-3232-A-1 DN100 1BAR	FILTR GAZU GF100MF-3232-A-1 DN100 1BAR	1
	65311463	ГАЗОВЫЙ ФИЛЬТР GF125MF-4040-A-1 DN125 1B GAZ FILTR. GF125MF-4040-A-1 DN125 1BAR	FILTRO GÁS GF125MF-4040-A-1 DN125 1BAR	FILTR GAZU GF125MF-4040-A-1 DN125 1BAR	1
	65311892	ГАЗОВЫЙ ФИЛЬТР GF150MF-4848-A-1 DN150 1B GAZ FILTR. GF150MF-4848-A-1 DN150 1BAR	FILTRO GÁS GF150MF-4848-A-1 DN150 1BAR	FILTR GAZU GF150MF-4848-A-1 DN150 1BAR	1
4801	65311623	ФИЛЬТРУЮЩИЙ ЭЛЕМЕНТ GF150MF FILTRE ELEMANI GF150MF	ELEMENTO FILTRANTE GF150MF	WKŁAD FILTRA GF150MF	1
	65311723	ФИЛЬТРУЮЩИЙ ЭЛЕМЕНТ GF65MF FILTRE ELEMANI GF65MF	ELEMENTO FILTRANTE GF65MF	WKŁAD FILTRA GF65MF	1
	65311888	ФИЛЬТРУЮЩИЙ ЭЛЕМЕНТ GF80MF FILTRE ELEMANI GF80MF	ELEMENTO FILTRANTE GF80MF	WKŁAD FILTRA GF80MF	1
	65311889	ФИЛЬТРУЮЩИЙ ЭЛЕМЕНТ GF100MF FILTRE ELEMANI GF100MF	ELEMENTO FILTRANTE GF100MF	WKŁAD FILTRA GF100MF	1
	65311890	ФИЛЬТРУЮЩИЙ ЭЛЕМЕНТ GF125MF FILTRE ELEMANI GF125MF	ELEMENTO FILTRANTE GF125MF	WKŁAD FILTRA GF125MF	1
5001	13016143	ФОРСУНКА MON 28,0GPH 60° PLP PŮSK. MEMESI MON 28,0GPH 60° PLP	BOQUILLA MON 28,0GPH 60° PLP	DYSZA MON 28,0GPH 60° PLP	1
	13016145	ФОРСУНКА MON 30,0GPH 60° PLP PŮSK. MEMESI MON 30,0GPH 60° PLP	BOQUILLA MON 30,0GPH 60° PLP	DYSZA MON 30,0GPH 60° PLP	1
	13020523	ФОРСУНКА MON 40,0GPH 60° PLP PŮSK. MEMESI MON 40,0GPH 60° PLP	BOQUILLA MON 40,0GPH 60° PLP	DYSZA MON 40,0GPH 60° PLP	1
	1458256915	ФОРСУНКА STE 30,0 GPH 60° SS PŮSK. MEMESI STE 30,0 GPH 60° SS	BOQUILLA STE 30,0 GPH 60° SS	DYSZA STE 30,0 GPH 60° SS	1
	65312601	ФОРСУНКА STE 18,0GPH 60° SS PŮSK. MEMESI STE 18,0GPH 60° SS	BOQUILLA STE 18,0GPH 60° SS	DYSZA STE 18,0GPH 60° SS	1
	65312665	ФОРСУНКА STE 24,0GPH 60° S PŮSK. MEMESI STE 24,0GPH 60° S	BOQUILLA STE 24,0GPH 60° S	DYSZA STE 24,0GPH 60° S	1
	65323485	ФОРСУНКА MON 21,5GPH 60° PLP PŮSK. MEMESI MON 21,5GPH 60° PLP	BOQUILLA MON 21,5GPH 60° PLP	DYSZA MON 21,5GPH 60° PLP	1
	65323487	ФОРСУНКА MON 24,0GPH 60° PLP PŮSK. MEMESI MON 24,0GPH 60° PLP	BOQUILLA MON 24,0GPH 60° PLP	DYSZA MON 24,0GPH 60° PLP	1
	77094388	ФОРСУНКА MON 35,0GPH 60° PLP PŮSK. MEMESI MON 35,0GPH 60° PLP	BOQUILLA MON 35,0GPH 60° PLP	DYSZA MON 35,0GPH 60° PLP	1
5002	65312901	БЛОК УПРА. BT340 GLEZ3 ОПРЕДЕЛ. ПАРАМ. KUTU BT340 GLEZ3 ÖZEL AYAR	PROGRAMADOR BT340 GLEZ3 CONFIG. ESPECÍ.	MODUŁ BT340 GLEZ3 SPECYFICZNE USTAWIENIE	1
5010	65311362	ИСПЫТАТЕЛЬНАЯ ГОРЕЛКА С КНОПКОЙ PB2 BASMA DÜĞMESİ İLE BRÜLÖR TEST PB2	QUEIMADOR DE ENSAIO COM B. PRESSÃO PB2	PALNIK TEST Z PRZYCISKIEM PB2	1
	65311572	МАНОМЕТР ГЛИЦЕРИН D 63 0-40 BAR G1/4 MANOMETRE GLISERIN D 63 0-40 BAR G1/4	MANOMETRO GLICERINA D 63 0-40 BAR G1/4	MANOMETR GLICERYNA D 63 0-40 BAR G1/4	1
5020	65311918	МОДУЛЬ VSM100 (LSB-M 667R0200-1) VSM100 MODÚLÚ (LSB-M 667R0200-1)	MÓDULO VSM100 (LSB-M 667R0200-1)	MODUL VSM100 (LSB-M 667R0200-1)	1







