



# SPARE PARTS EXPLODED VIEW OIL BURNER

Model

## CB-EKEVO6/7 L-E

R8220297-01 - 08/01/2020

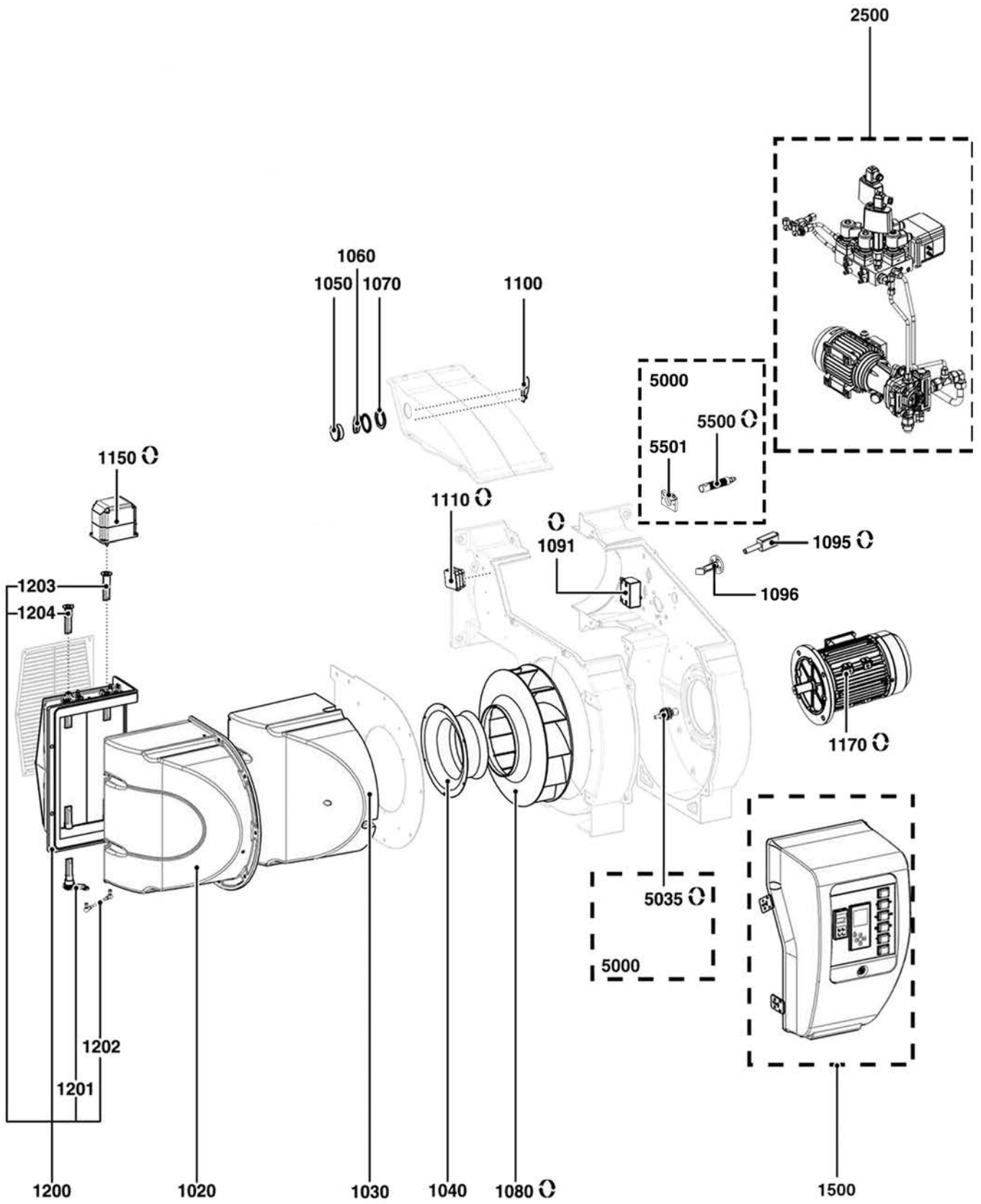
CB-EKEVO6/7 L-E

Oil burner

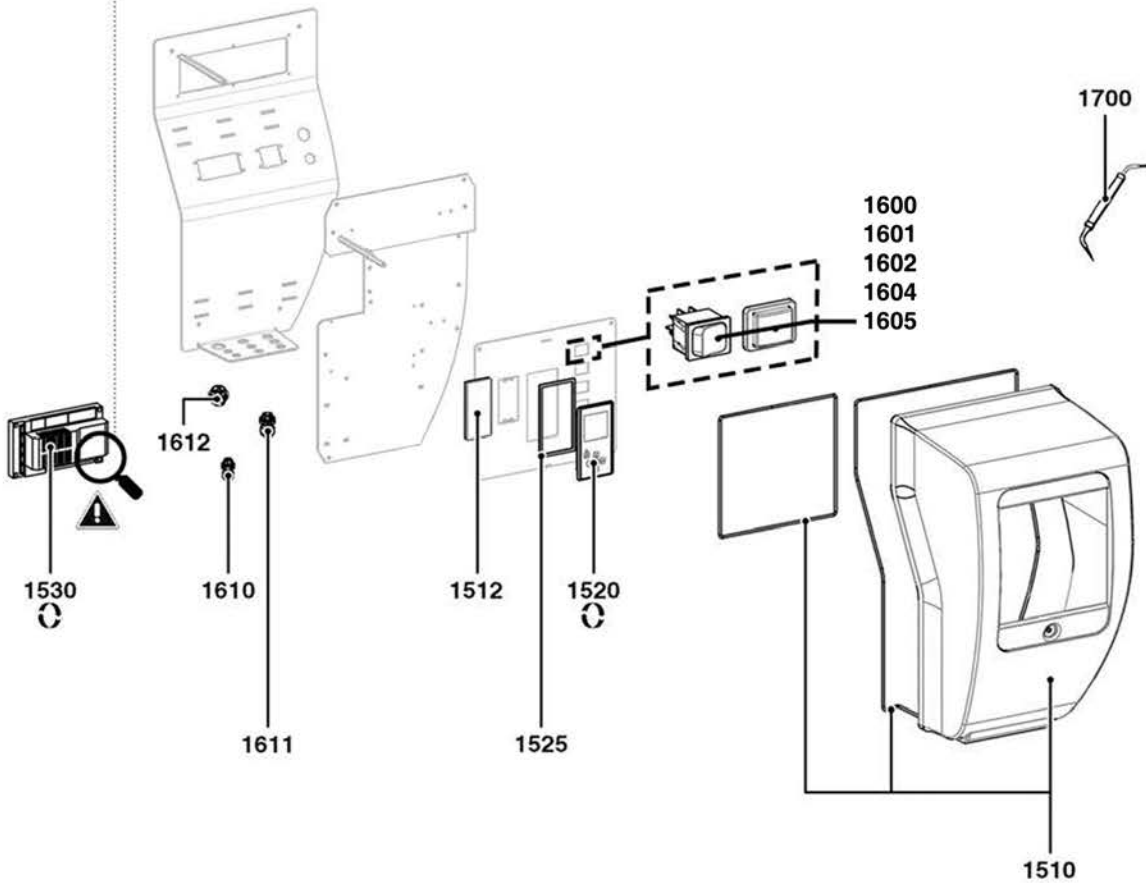
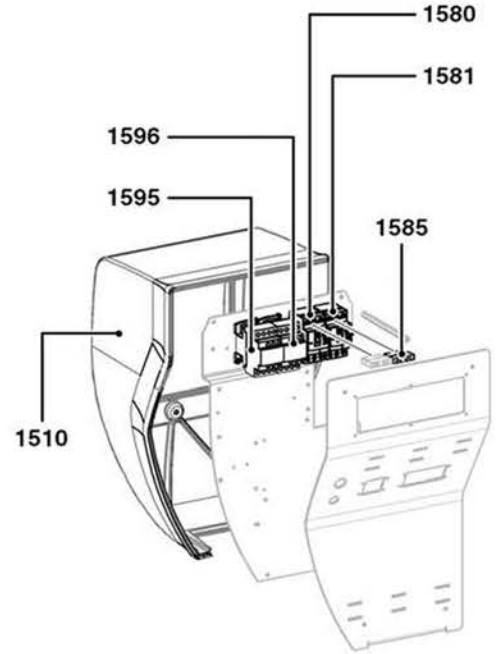
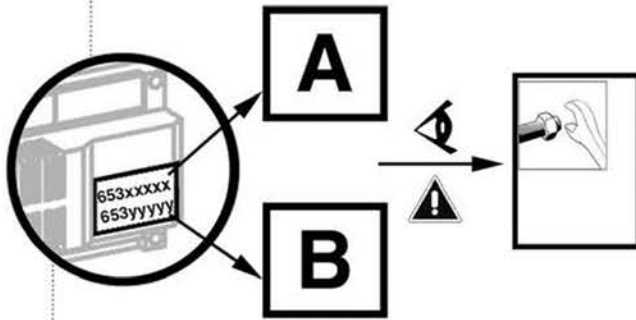
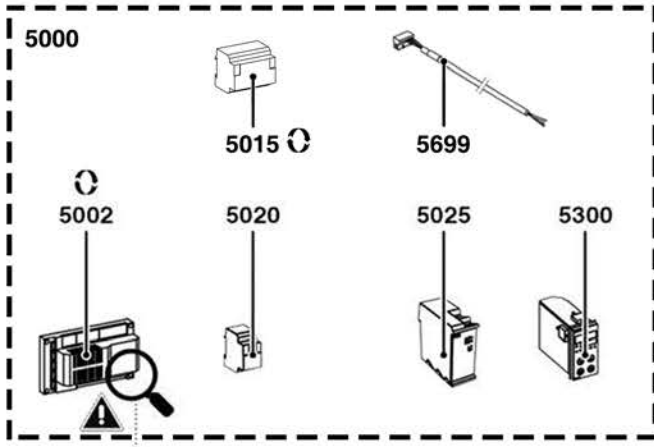
1	3756752	EKEVO 6.2400 L-E/BT3/KN	03-2019	-
1	3756751	EKEVO 6.2400 L-E/BT3/KM	03-2019	-
1	3756750	EKEVO 6.2400 L-E/BT3/KL	03-2019	-
2	3756755	EKEVO 6.2900 L-E/BT3/KN	03-2019	-
2	3756754	EKEVO 6.2900 L-E/BT3/KM	03-2019	-
2	3756753	EKEVO 6.2900 L-E/BT3/KL	03-2019	-
3	3756758	EKEVO 7.3600 L-E/BT3/KN	03-2019	-
3	3756757	EKEVO 7.3600 L-E/BT3/KM	03-2019	-
3	3756756	EKEVO 7.3600 L-E/BT3/KL	03-2019	-
4	3756761	EKEVO 7.4500 L-E/BT3/KN	03-2019	-
4	3756760	EKEVO 7.4500 L-E/BT3/KM	03-2019	-
4	3756759	EKEVO 7.4500 L-E/BT3/KL	03-2019	-

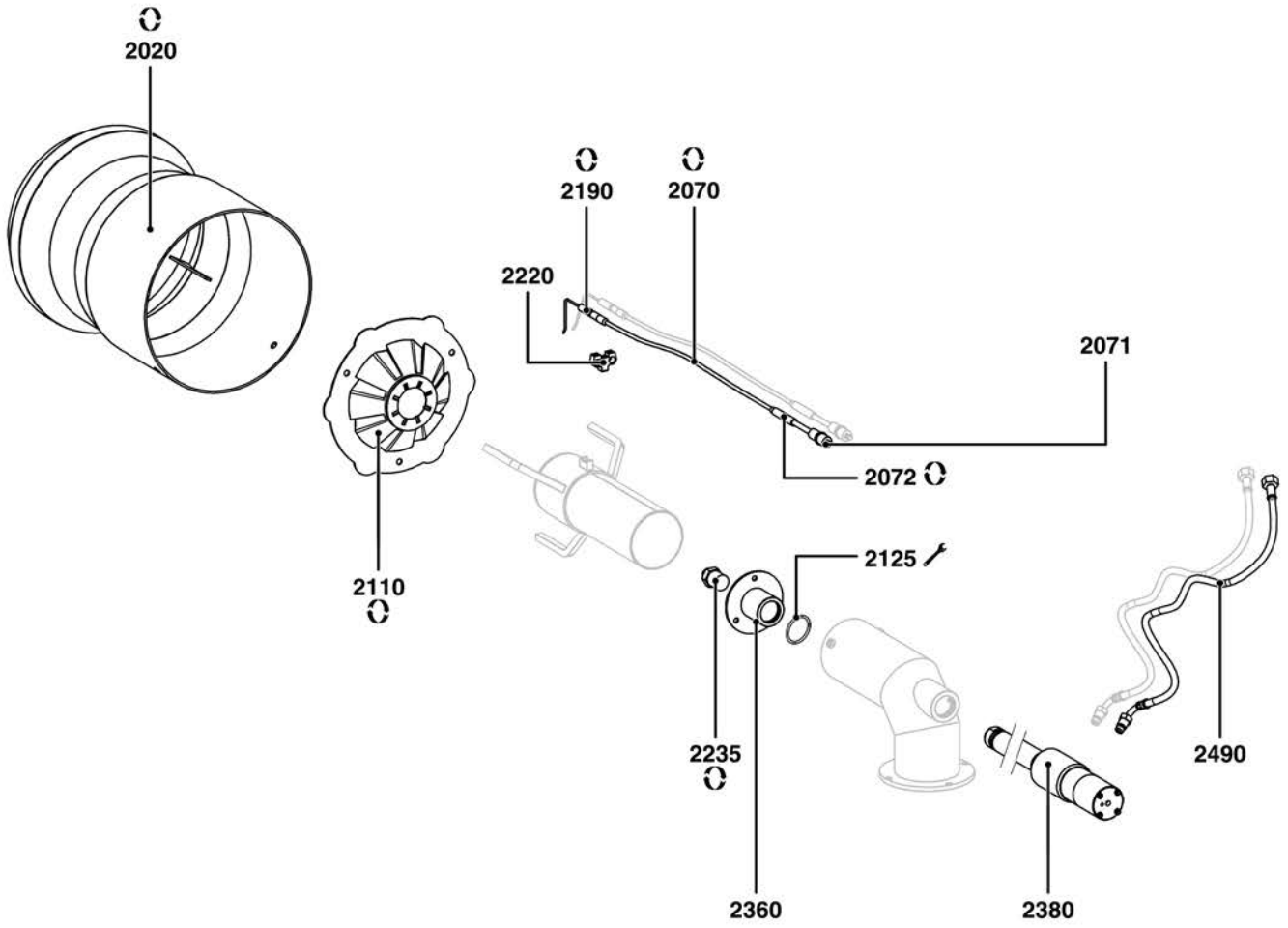
Col	Reference	Model type	Begin	End
-----	-----------	------------	-------	-----



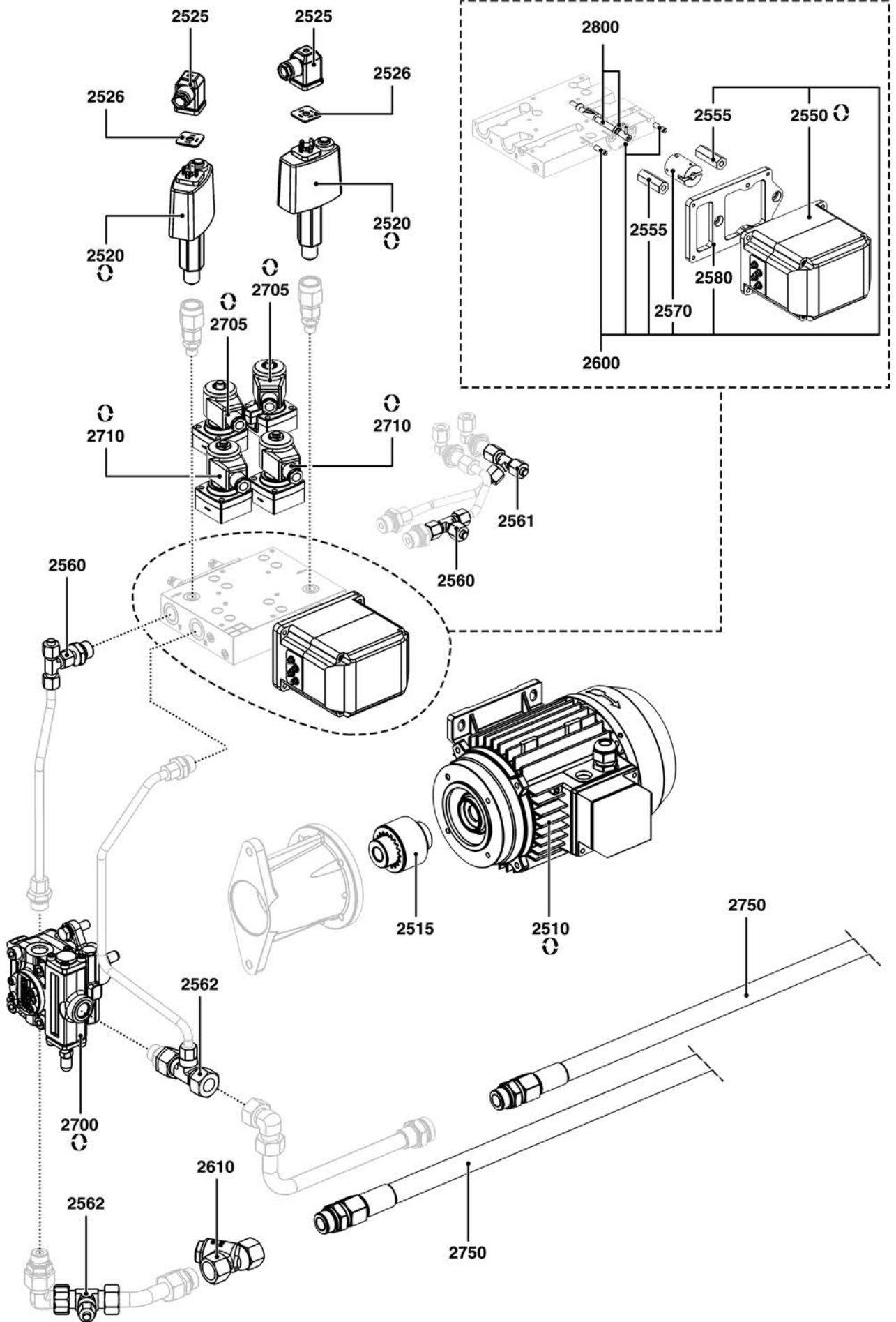














		DE NL	FR ES	IT	X
1020	65312332	HAUBE 520X423X337/LUFTA-KASTEN EKEVO 6-7 KAP 520X423X337/LUCHTKAST EKEVO 6-7	CAPOT 520X423X337/BOITE AIR EKEVO 6-7 CUBIERTA 520X423X337/CAJA AIRE EKEVO 6-7	COFANO 520X423X337/CASSA ARIA EKEVO 6-7	1
1030	65312333	DÄMMSTOFFFORMTEIL GELUIDSISOLATIE/LUCHTKAST	ISOLATION PHONIQUE/BOITE A AIR AISLAMIENTO/CAJA DE AIRE	ISOLAMENTO FONICO/SCATOLA DELL'ARIA	1
1040	65311474	ANSAUGLUFTFÜHRUNG D369/249/234X132 LUCHTGELEIDING D369/249/234X132	RECYCLAGE AIR D369/249/234X132 RECICLAJE AIRE D369/249/234X132	CONVOGLIATORE ARIA D369/249/234X132	1
	65311490	ANSAUGLUFTFÜHRUNG D306/222/200X105 LUCHTGELEIDING D306/222/200X105	RECYCLAGE AIR D306/222/200X105 RECICLAJE AIRE D306/222/200X105	CONVOGLIATORE ARIA D306/222/200X105	1
1050	1180603227	SCHAUGLASS 55X21 KIJKGLASS 55X21	VOYANT DE FLAMME 55X21 VISORE DE LLAMA 55X21	VISORE DI FIAMMA 55X21	1
1060	1188052260	DECKEL D61/55/SCHAUGLASS DEKSEL D61/55/KIJKGLASS	COUVERCLE D61/55/VOYANT DE FLAMME TAPA D61/55/VISOR	COPERCHIO D61/55/VISORE	1
1070	1180559591	MUTTER M48X1,5 MOER M48X1,5	ECROU M48X1,5 TUERCA M48X1,5	DADO M48X1,5	1
1080	65311473	VENTILATORRAD D450/252X90-D38+ENTSCH.D58 VENTILATORWIEL D450/252X90 D38+PLATE D58	TURBINE D450/252X90 D38+PLAQUE D58/12 TURBINA D450/252X90 D38+PLACA D58/12	VENTOLA D450/252X90 D38+PIASTRA D58/12	1
	65311489	VENTILATORRAD D438/225X89-D28+ENTSCH.D58 VENTILATORWIEL D438/225X89 D28+PLATE D58	TURBINE D438/225X89 D28+PLAQUE D58/12 TURBINA D438/225X89 D28+PLACA D58/12	VENTOLA D438/225X89 D28+PIASTRA D58/12	1
	65311822	VENTILATORRAD D485/252X102-D38+ENTSC.D58 VENTILATORWIEL D485/252X102D38+PLATE D58	TURBINE D485/252X102 D38+PLAQUE D58/12 TURBINA D485/252X102 D38+PLACA D58/12	VENTOLA D485/252X102 D38+PIASTRA D58/12	1
1091	65310925	ZUENDTRAFO EBI 2X7,5 230V ONTSTEKINGSTRAFO EBI 2X7,5 230V	ALLUMEUR EBI 2X7,5 230V ENCENDEDOR EBI 2X7,5 230V	TRASFORMATORE ACCENSIONE EBI 2X7,5 230V	1
1095	65313891	FOTZELLE KLC J8-508-3 FOTOCEL KLC J8-508-3	CELLULE KLC J8-508-3 CELULA KLC J8-508-3	FOTOCELLULA KLC J8-508-3	1
1096	65327620	FOTZELLE HALTER KLC STEUN FOTOCEL KLC	SUPPORT CELLULE KLC SOPORTE CELULA KLC	SUPPORTO FOTOCELLULA KLC	1
1100	65311472	SICHTSPIEGEL FÜR SCHAUGLAS SPIEGEL/KIJKGLAS	MIROIR/REGARD ESPEJO/MIRILLA	SPECCHIO/SPIONCINO	1
1110	65311595	DRUCKWAECHTER LGW 50 A2P 2,5-50MBAR DRUKSCHAKELAAR LGW 50 A2P 2,5-50MBAR	MANOSTAT AIR LGW 50 A2P 2,5-50MB PRESOSTATO AIRE LGW 50 A2P 2,5-50MB	PRESSOSTATO ARIA LGW 50 A2P 2,5-50MB	1
1150	65311650	STELLANTRIEB STE 4,5 Q3.51/6+KABEL L3000 SERVOMOTOR STE 4,5 Q3.51/6+KABEL L3000	SERVOMOTEUR STE 4,5 Q3.51/6+CABLE L3000 SERVOMOTOR STE 4,5 Q3.51/6+CABLE L3000	SERVOMOTORE STE 4,5 Q3.51/6+CAVO L3000	1
1170	65312555	MOTOR 3,0KW 230/400V D28 IE3 SCHWARZ MOTOR 3,0KW 230/400V D28 IE3 ZWART	MOTEUR 3,0KW 230/400V D28 IE3 NOIR MOTOR 3,0KW 230/400V D28 IE3 NEGRO	MOTORE 3,0KW 230/400V D28 IE3 NERO	1
	65312556	MOTOR 4,0KW 400/690V D28 IE3 SCHWARZ MOTOR 4,0KW 400/690V D28 IE3 ZWART	MOTEUR 4,0KW 400/690V D28 IE3 NOIR MOTOR 4,0KW 400/690V D28 IE3 NEGRO	MOTORE 4,0KW 400/690V D28 IE3 NERO	1
	65312557	MOTOR 5,5KW 400/690V D38 IE3 ELV MOTOR 5,5KW 400/690V D38 IE3 ELV	MOTEUR 5,5KW 400/690V D38 IE3 ELV MOTOR 5,5KW 400/690V D38 IE3 ELV	MOTORE 5,5KW 400/690V D38 IE3 ELV	1
	65312558	MOTOR 7,5KW 400/690V D38 IE3 ELV SCHWARZ MOTOR 7,5KW 400/690V D38 IE3 ELV ZWART	MOTEUR 7,5KW 400/690V D38 IE3 ELV NOIR MOTOR 7,5KW 400/690V D38 IE3 ELV NEGRO	MOTORE 7,5KW 400/690V D38 IE3 ELV NERO	1
1200	65312328	LUFTKLAPPE BG COMPLETE LUCHTKLEP	VOLET D'AIR EQUIPE VÁLVULA DE AIRE EQUIPADA	SERRANDA DELL'ARIA EQUIPAGGIATA	1
1201	65312331	ANTRIEBHABEL/LUFTKLAPPE AANDRIJFHEDEL/LUCHTKLEP	LEVIER ENTRAÎNEMENT/VOLET AIR PALANCA DE ACCIONAMIENTO/VÁLVULA AIRE	LEVA AZIONAMENTO/SERRANDA DELL'ARIA	1
1202	65312330	GELENKSTANGE D10X145 M6 LUFTKLAPPE DRIJFSTANG D10X145 M6 LUCHTKLEP	BIELLETTE D10X145 M6 VOLET AIR BIELETA D10X145 M6 VALVULA AIRE	BIELLA D10X145 M6 SERRANDA ARIA	1
1203	65312329	WELLE / LUFTKLAPPE D34/25X100 FLAT L55 AS / LUCHTKLEP D34/25X100 FLAT L55	AXE / VOLET AIR D34/25X100 PLAT L55 EJE / VALVULA AIRE D34/25X100 FLAT L55	PERNO/SERRANDA ARIA D34/25X100 PIATO L55	1
1204	65312459	WELLE / LUFTKLAPPE D34/25X100 M.ZEIGER AS / LUCHTKLEP D34/25X100 MET WIJZER	AXE / VOLET AIR D34/25X100 AV.INDEX EJE / VALVULA AIRE D34/25X100 C. PUNTERO	PERNO/SERRANDA ARIA D34/25X100 C.INDICE	1
1510	65312340	DECKEL 374X621X331/SCHALTSCHRANK EKEVO DEKSEL 374X621X331/ELEKTRIS.KAST EKEVO	COUVERCLE 374X621X331/ARMOIRE ELEC.EKEVO TAPA 374X621X331/ARMARIO ELECTRICO EKEVO	COPERCHIO 374X621X331/QUADRO ELETT.EKEVO	1
1512	65312338	BLINDDECKEL/REGLER 92X45 IP54 AFSLUITER/REGELAAR 92X45 IP54	OBTURATEUR REGULATEUR 92X45 IP54 CONJUNTO/REGULADOR 92X45 IP54	OTTURATORE/REGOLATORE 92X45 IP54	1
1520	65326869	ANZEIGE FÜR FEUERUNGSAUTOMAT BT3XX DISPLAY VOOR BRANDERAUTOMAAT BT3XX	AFFICHEUR POUR COFFRET BT3XX PANTALLA PARA PROGRAMADOR BT3XX	DISPLAY PER APPARECCHIATURA BT3XX	1
1525	65311364	DICHTUNG/ANZEIGE 152/140X80/70X2 PAKKING/DISPLAY 152/140X80/70X2	JOINT/AFFICHEUR 152/140X80/70X2 JUNTA/PANTALLA 152/140X80/70X2	GUARNIZIONE/DISPLAY 152/140X80/70X2	1
1530	65312445	FEUERUNGSAUT. BT320 BASISEINSTELL. BRANDERAUT. BT320 BASIS AFSTELLING	COFFRET BT320 REGLAGE DE BASE PROGRAMADOR BT320 CONFIGUR. BÁSICA	APPARECCH. BT320 REGOL. BASE	1
1580	65311945	MOTORSCHUTZSCHALTER SCH 0,75KW GV2ME07 VERMOGENSCHAKEL.MOTOR SCH 0,75KW GV2ME07	DISJONCTEUR MOTEUR SCH 0,75KW GV2ME07 DISYUNTOR MOTOR SCH 0,75KW GV2ME07	DISIUNTORE MOTORE SCH 0,75KW GV2ME07	1
	65311946	MOTORSCHUTZSCHALTER SCH1,1-1,5KW GV2ME08 VERMOGENSCHAKEL.MOTOR SCH 1,5KW GV2ME08	DISJONCTEUR MOTEUR SCH 1,1-1,5KW GV2ME08 DISYUNTOR MOTOR SCH 1,1-1,5KW GV2ME08	DISIUNTORE MOTORE SCH 1,1-1,5KW GV2ME08	1
1581	64190721	MOTORSCHUTZSCHALTER SCH GV2ME10 VERMOGENSCHAKEL. MOTOR SCH GV2ME10	DISJONCTEUR MOTEUR SCH GV2ME10 DISYUNTOR MOTOR SCH GV2ME10	DISIUNTORE MOTORE SCH GV2ME10	1
	65311776	MOTORSCHUTZSCHALTER SCH 7,5KW GV2ME20 VERMOGENSCHAKEL.MOTOR SCH 7,5KW GV2ME20	DISJONCTEUR MOTEUR SCH 7,5KW GV2ME20 DISYUNTOR MOTOR SCH 7,5KW GV2ME20	DISIUNTORE MOTORE SCH 7,5KW GV2ME20	1
	65311794	MOTORSCHUTZSCHALTER SCH 3-4KW GV2ME14 VERMOGENSCHAKEL. MOTOR SCH 3-4KW GV2ME14	DISJONCTEUR MOTEUR SCH 3-4 KW GV2ME14 DISYUNTOR MOTOR SCH 3-4KW GV2ME14	DISIUNTORE MOTORE SCH 3-4KW GV2ME14	1
	65312033	MOTORSCHUTZSCHALTER SCH 5,5KW GV2ME16 VERMOGENSCHAKEL.MOTOR SCH 5,5KW GV2ME16	DISJONCTEUR MOTEUR SCH 5,5KW GV2ME16 DISYUNTOR MOTOR SCH 5,5KW GV2ME16	DISIUNTORE MOTORE SCH 5,5KW GV2ME16	1

		DE	FR	IT	X
		NL	ES		
1585	65311795	HILFSKONTAKT SCH GVA E11 HULPSCHAKELAAR SCH GVA E11	CONTACT AUXILLIAIRE SCH GVA E11 INTERRUPTOR AUXILIAR SCH GVA E11	CONTATTO AUSILIARIO SCH GVA E11	1
1595	65311793	SCHALTSCHUETZE SCH LC1-D09P7 3-4KW CONTACTOR SCH LC1-D09P7 3-4KW	CONTACTEUR SCH LC1-D09P7 3-4KW CONTACTOR SCH LC1-D09P7 3-4KW	CONTATTORE SCH LC1-D09P7 3-4KW	1
1596	65311793	SCHALTSCHUETZE SCH LC1-D09P7 3-4KW CONTACTOR SCH LC1-D09P7 3-4KW	CONTACTEUR SCH LC1-D09P7 3-4KW CONTACTOR SCH LC1-D09P7 3-4KW	CONTATTORE SCH LC1-D09P7 3-4KW	1
	65311947	SCHALTSCHUETZE SCH LC1-D18P7 7,5KW CONTACTOR SCH LC1-D18P7 7,5KW	CONTACTEUR SCH LC1-D18P7 7,5KW CONTACTOR SCH LC1-D18P7 7,5KW	CONTATTORE SCH LC1-D18P7 7,5KW	1
	65312032	SCHALTSCHUETZE SCH LC1-D12P7 5,5KW CONTACTOR SCH LC1-D12P7 5,5KW	CONTACTEUR SCH LC1-D12P7 5,5KW CONTACTOR SCH LC1-D12P7 5,5KW	CONTATTORE SCH LC1-D12P7 5,5KW	1
1600	65312334	KONTROLLLEUCHE 32X22,5X21 COME.0401S 8S CONTROLELAMPJIE 32X22,5X21 COME.0401S 8S	VOYANT LUMINEUX 32X22,5X21 COME.0401S 8S TESTIGO 32X22,5X21 COMELUX 0401.S 8S	LAMPADE SPIA 32X22,5X21 COMELUX 0401S 8S	1
1601	65312335	SCHALTER COM 2POS. ON-ON 0401.1.DEV T2C2 SCHAKELAAR COM 2POS. ON-ON 0401.1.DEV T2	INTERRUPTEUR 2POS. ON-ON 0401.1.DEV T2C2 INTERRUPTOR 2 POS. ON-ON 0401.1.DEV T2C2	INTERUTTORE 2 POS. ON-ON 0401.1.DEV T2C	1
1602	65312336	SCHALTER COM 3POS. ON-OFF-ON 0401.1 T2C2 SCHAKELAAR COM 3POS. ON-OFF-ON 0401.1 T2	INTERRUPTEUR 3POS. ON-OFF-ON 0401.1 T2C2 INTERRUPTOR 3 POS. ON-OFF-ON 0401.1 T2C2	INTERUTTORE 3 POS. ON-OFF-ON 0401.1 T2C2	1
1604	65312337	SCHALTER COM 2POS. MOMENTARY 0401.1 T2C2 SCHAKELAAR 2 POS. MOMENT.0401.1 T2C2	INTERRUPTEUR 2 POS. MOMENT. 0401.1 T2C2 INTERRUPTOR 2 POS. MOMENT. 0401.1 T2C2	INTERUTTORE 2 POS. MOMENT. 0401.1 T2C2	1
1605	65312341	BLINDDECKEL/BRENNERSCHRANKHAUBE AFSLUITER/KAP ELEKTRISCHE KAST	OBTURATEUR/ARMOIRE ELECTRIQUE CONJUNTO/CUBIERTA ARMARIO ELÉCTRICO	OTTURATORE/COPERCHIO ARMADIO ELETTR.	1
1610	65311451	KABELVERSCHRAUBUNG M16 PAKKINGBUS M16	PRESSE-ETOUPE M16 PRENSAESTOPAS M16	PREMISTOPPA M16	1
1611	65311758	KABELVERSCHRAUBUNG M20 PAKKINGBUS M20	PRESSE-ETOUPE M20 PRENSAESTOPAS M20	PREMISTOPPA M20	1
1612	65312852	KABELVERSCHRAUBUNG CLICK M25 PAKKINGBUS CLICK M25	PRESSE-ETOUPE CLICK M25 PRENSAESTOPAS CLICK M25	PREMISTOPPA CLICK M25	1
1700	65311446	WAG BETAETIGUNGSWERKZEUG 2009-309 BEDIENINGSGEREEDSCHAP WAG 2009-309	OUTIL DE MANOEUVRE WAG 2009-309 HERRAMIENTA D.ACCIONAM. WAG 2009-309	DISPOSITIVO DI MANOVRA WAG 2009-309	1
2020	65311851	BRENNERROHR D263/310/265 L380 BRANDERBUIJS D263/310/265 L380	TUBE DE FLAMME D263/310/265 L380 TUBO DE LLAMA D263/310/265 L380	BOCCAGLIO D263/310/265 L380	1
	65311852	BRENNERROHR D263/310/265 L500 BRANDERBUIJS D263/310/265 L500	TUBE DE FLAMME D263/310/265 L500 TUBO DE LLAMA D263/310/265 L500	BOCCAGLIO D263/310/265 L500	1
	65311853	BRENNERROHR D263/310/265 L620 BRANDERBUIJS D263/310/265 L620	TUBE DE FLAMME D263/310/265 L620 TUBO DE LLAMA D263/310/265 L620	BOCCAGLIO D263/310/265 L620	1
	65312875	FLAMMENROHR D263/240/290/250 L500 EDELS. BRANDERBUIJS D263/240/290/250 L500 INOX	TUBE DE FLAMME D263/240/290/250 L500 INO TUBO DE LLAMA D263/240/290/250 L500 INOX	BOCCAGLIO D263/240/290/250 L500 INOSS.	1
	65312910	FLAMMENROHR D263/240/290/250 L380 EDELS. BRANDERBUIJS D263/240/290/250 L380 INOX	TUBE DE FLAMME D263/240/290/250 L380 INO TUBO DE LLAMA D263/240/290/250 L380 INOX	BOCCAGLIO D263/240/290/250 L380 INOSS.	1
	65312912	FLAMMENROHR D263/240/290/250 L620 EDEL. BRANDERBUIJS D263/240/290/250 L620 INOX	TUBE DE FLAMME D263/240/290/250 L620INOX TUBO DE LLAMA D263/240/290/250 L620 INOX	BOCCAGLIO D263/240/290/250 L620 INOX	1
	65312913	FLAMMENROHR D323.5/275/340/280 L425 BRANDERBUIJS D323.5/275/340/280 L425	TUBE DE FLAMME D323.5/275/340/280 L425 TUBO DE LLAMA D323.5/275/340/280 L425	BOCCAGLIO D323.5/275/340/280 L425	1
	65312914	FLAMMENROHR D323.5/275/340/280 L555 BRANDERBUIJS D323.5/275/340/280 L555	TUBE DE FLAMME D323.5/275/340/280 L555 TUBO DE LLAMA D323.5/275/340/280 L555	BOCCAGLIO D323.5/275/340/280 L555	1
	65312915	FLAMMENROHR D323.5/275/340/280 L685 BRANDERBUIJS D323.5/275/340/280 L685	TUBE DE FLAMME D323.5/275/340/280 L685 TUBO DE LLAMA D323.5/275/340/280 L685	BOCCAGLIO D323.5/275/340/280 L685	1
	65312916	FLAMMENROHR D324/370/310 L425 BRANDERBUIJS D324/370/310 L425	TUBE DE FLAMME D324/370/310 L425 TUBO DE LLAMA D324/370/310 L425	BOCCAGLIO D324/370/310 L425	1
	65312917	FLAMMENROHR D324/370/310 L555 BRANDERBUIJS D324/370/310 L555	TUBE DE FLAMME D324/370/310 L555 TUBO DE LLAMA D324/370/310 L555	BOCCAGLIO D324/370/310 L555	1
	65312918	FLAMMENROHR D324/370/310 L685 BRANDERBUIJS D324/370/310 L685	TUBE DE FLAMME D324/370/310 L685 TUBO DE LLAMA D324/370/310 L685	BOCCAGLIO D324/370/310 L685	1
2070	65313731	KABEL FZLSI 1X1,00Q-CU/SILIKON ONTSTEKINGSKAB.FZLSI 1X1,00Q-CU/SILICONE	CABLE ALLUMAGE FZLSI 1X1,00Q-CU/SILICONE CABLE ENCENDI. FZLSI 1X1,00Q-CU/SILICONA	CAVO ACCENSIO. FZLSI 1X1,00Q-CU/SILICONE	1
2071	65311374	RUNDSTECKER D6,4/ZUENDKABEL RONDJE MANN.CONNECT.D6,4/ONTSTEKINGSKAB.	CONNECTEUR ROND MALE D6,4/CABLE ALLUMAGE CONNECT.MACHO REDOND.D6,4/CABLE ENCENDIDO	CONNETT.MASCH. ROTONDO D6,4/CAVO ACCENS.	1
2072	13013226	ENTSTOERMUFFE HE1 1KOHM D10X52,5 ONTSTOORST.ONTSTEKINGSKAB.1KOHM D10X52,5	RESISTANCE ANTI-PARASITE 1KOHM D10X52,5 RESIST.SUPRES.INTERFEREN. 1KOHM D10X52,5	RESISTORE ANTIRADIODIST. 1KOHM D10X52,5	1
2110	65310991	STAUSCHEIBE D238/45X36,5 8SL STUWPLAAT D238/45X36,5 8SL	DEFLECTEUR D238/45X36,5 8SL DEFLECTOR D238/45X36,5 8SL	DIFFUSORE D238/45X36,5 8SL	1
	65311025	DRALLSTAUSCHEIBE N7 L STUWPLAAT D260/104/62X40 12SL	DEFLECTEUR D260/104/62X40 12SL DEFLECTOR D260/104/62X40 12SL	DIFFUSORE D260/104/62X40 12SL	1
2125	65311454	O-RING D30X4 O-RING D30X4	O-RING D30X4 O-RING D30X4	O-RING D30X4	1
2190	65311469	ZUENDELEKTRODE D9,2X50 D3X86 50° L150 d4 ONTSTEKINGSPEN D9,2X50 D3X86 50° L150 d4	ELECTRODE ALL.D9,2X50 D3X86 50° L150 d4 ELECTROD.ENCEN.D9,2X50 D3X86 50° L150 d4	ELETTROD.ACCEN.D9,2X50 D3X86 50° L150 d4	1
2220	65311555	HALTER FÜR ZÜNDELEKTRODEN (OEL) STEUN ONTSTEKINGSPEN (OLIE)	SUPPORT ELECTRODE ALLUMAGE (FIOUL) SOPORTE ELECTRODO ENCENDIDO (GASOLEO)	SUPPORTO ELETTRODO ACCENSIONE (GASOLIO)	1
2235	65311393	DUESE FLU 180 KG 50° W2 NOZZLE FLU 180 KG 50° W2	GICLEUR FLU 180 KG 50° W2 BOQUILLA FLU 180 KG 50° W2	UGELLO FLU 180 KG 50° W2	1
	65312605	DUESE FLU 250 KG 50° W2 NOZZLE FLU 250 KG 50° W2	GICLEUR FLU 250 KG 50° W2 BOQUILLA FLU 250 KG 50° W2	UGELLO FLU 250 KG 50° W2	1

		DE NL	FR ES	IT	X
	65323551	DUESE FLU 400 KG 50° W2 NOZZLE FLU 400 KG 50° W2	GICLEUR FLU 400 KG 50° W2 BOQUILLA FLU 400 KG 50° W2	UGELLO FLU 400 KG 50° W2	1
	65323552	DUESE FLU 450 KG 50° W2 NOZZLE FLU 450 KG 50° W2	GICLEUR FLU 450 KG 50° W2 BOQUILLA FLU 450 KG 50° W2	UGELLO FLU 450 KG 50° W2	1
2360	65311864	FUEHRUNG D-STANGE SPROEIERLIJNE GELEIDEN	GUIDE LIGNE GICLEUR GUIA LINEA DE BOQUILLA	GUIDA LINEA UGELLO	1
2380	65311815	DÜSENSTANGE RDN 1D 7/8ZD30 L900 SPROEIERLIJNE RDN 1D 7/8ZD30 L900	LIGNE GICLEUR RDN 1D 7/8ZD30 L900 LINEA DE BOQUILLA RDN 1D 7/8ZD30 L900	LINEA UGELLO RDN 1D 7/8ZD30 L900	1
	65311866	DÜSENSTANGE L664 1D 7/8Z SPROEIERLIJNE L664 1D 7/8Z	LIGNE GICLEUR L664 1D 7/8Z LINEA DE BOQUILLA L664 1D 7/8Z	LINEA UGELLO L664 1D 7/8Z	1
	65311867	DÜSENSTANGE L580 1D 7/8Z SPROEIERLIJNE L580 1D 7/8Z	LIGNE GICLEUR L580 1D 7/8Z LINEA DE BOQUILLA L580 1D 7/8Z	LINEA UGELLO L580 1D 7/8Z	1
	65311868	DÜSENSTANGE L748 1D 7/8Z SPROEIERLIJNE L748 1D 7/8Z	LIGNE GICLEUR L748 1D 7/8Z LINEA DE BOQUILLA L748 1D 7/8Z	LINEA UGELLO L748 1D 7/8Z	1
	65311871	DÜSENSTANGE RDN 1D 7/8ZD30 L832 SPROEIERLIJNE RDN 1D 7/8ZD30 L832	LIGNE GICLEUR RDN 1D 7/8ZD30 L832 LINEA DE BOQUILLA RDN 1D 7/8ZD30 L832	LINEA UGELLO RDN 1D 7/8ZD30 L832	1
2490	65311873	ÖLSCHLAUCH EDELSTAHL DN8 L400 OLIESLANG INOX DN8 L400	FLEXIBLE INOX DN8 L400 LATIGUILLLO INOX DN8 L400	FLESSIBILE INOSS DN8 L400	1
2510	65311564	MOTOR 0,75KW 230/400V IE3 - KPL. MOTOR 0,75KW 230/400V IE3 GMP	MOTEUR 0,75KW 230/400V IE3 GMP MOTOR 0,75KW 230/400V IE3 GMP	MOTORE 0,75KW 230/400V IE3 GMP	1
	65311829	MOTOR 1,1KW 230/400V IE3 GMP MOTOR 1,1KW230/400V IE3 GMP	MOTEUR 1,1KW230/400V IE3 GMP MOTOR 1,1KW230/400V IE3 GMP	MOTORE 1,1KW230/400V IE3 GMP	1
	65325517	MOTOR 1,5KW230/400V IE3 GMP IP55 MOTOR 1,5KW230/400V IE3 GMP IP55	MOTEUR 1,5KW230/400V IE3 GMP IP55 MOTOR 1,5KW230/400V IE3 GMP IP55	MOTORE 1,5KW230/400V IE3 GMP IP55	1
2515	65325386	KUPPLUNG D24/12X15 STARRY KOPPELING D24/12X15 STARRY	ACCOUPLLEMENT D24/12X15 CRANTE ACOPLAMIENTO D24/12X15 STARRY	GIUNTO D24/12X15 STELLARE	1
2520	65312206	DRUCKWAECHTER DSB158 F931, 0-25BAR, IP65 OLIEDRUKSCHAKELAAR DSB 158 F931 0-25BAR	MANOSTAT FIOUL DSB 158 F931 0-25BAR PRESOSTATO GASOLEO DSB 158 F931 0-25BAR	PRESSOSTATO GASOLIO DSB 158 F931 0-25BAR	1
2525	65311615	STECKER HIRSCH GDMW3011 WITH SKIRT STEKKER HIRSCH GDMW3011 WITH SKIRT	PRISE HIRSCH GDMW3011 WITH SKIRT ENCHULE HIRSCH GDMW3011 WITH SKIRT	CONNETTORE HIRSCH GDMW3011 WITH SKIRT	1
2526	65311616	DICHTUNG GDM 3-21 PAKKING GDM 3-21	JOINT GDM 3-21 JUNTA GDM 3-21	GUARNIZIONE GDM 3-21	1
2550	65311650	STELLANTRIEB STE 4,5 Q3.51/6+KABEL L3000 SERVOMOTOR STE 4,5 Q3.51/6+KABEL L3000	SERVOMOTEUR STE 4,5 Q3.51/6+CABLE L3000 SERVOMOTOR STE 4,5 Q3.51/6+CABLE L3000	SERVOMOTORE STE 4,5 Q3.51/6+CAVO L3000	1
2555	65311831	DISTANZROHR HEX15X42 M6-M8 VULSTUK HEX15X42 M6-M8	ENTRETOISE HEX15X42 M6-M8 DISTANCIADOR HEX15X42 M6-M8	DISTANZIALE HEX15X42 M6-M8	1
2560	65313523	T-WINKELANSCHLUSS P-TV 10 L T-AANSLUITING P-TV 10 L	RACCOR EN T P-TV 10 L RACOR EN T P-TV 10 L	RACCORDO A T P-TV 10 L	1
2561	65312937	T-WINKELANSCHLUSS P-ELVD 10 L T-AANSLUITING P-ELVD 10 L	RACCOR EN T P-ELVD 10 L RACOR EN T P-ELVD 10 L	RACCORDO A T P-ELVD 10 L	1
2562	65312938	T-WINKELANSCHLUSS P-TV18/18/10L T-AANSLUITING P-TV18/18/10L	RACCOR EN T P-TV18/18/10L RACOR EN T P-TV18/18/10L	RACCORDO A T P-TV18/18/10L	1
2570	65312935	KUPPLUNG D10/D8X38-90 KOPPELING D10/D8X38-90	ACCOUPLLEMENT D10/D8X38-90 ACOPLAMIENTO D10/D8X38-90	GIUNTO D10/D8X38-90	1
2580	65311412	BEFESTIGUNGSPLATTE HYDR.-BL.-STELL. STE BEVESTIGINGSPLAAT VAN DE SERVOMOTOR STE	PLATINE SERVOMOTEUR STE PLACA DEL SERVOMOTOR STE	PIASTRA SERVOMOTORE STE	1
2600	65312934	ANTRIEBS BG HYD-BLOCK N6/7&EKEVO6/7E BT HYDRAUL BLOK AANDRIJF. N6/7&EKEVO6/7E BT	ENSEMBL.ENTR. BLOC HYD.N6/7&EKEVO6/7E BT CONJ.ACCION.UNID.HYDR. N6/7&EKEVO6/7E BT	GR.TRASMI.UNIT.IDRAUL. N6/7&EKEVO6/7E BT	1
2610	65311578	OELFILTER RP3/4 PN16 OLIEFILTER RP3/4 PN16	FILTRE FIOUL RP3/4 PN16 FILTRO GASOLEO RP3/4 PN16	FILTRO GASOLIO RP3/4 PN16	1
2700	65311577	OELPUMPE HP UHE-A3-P-I-4-20 POMP HP UHE-A3-P-I-4-20	POMPE FIOUL HP UHE-A3-P-I-4-20 BOMBA HP UHE-A3-P-I-4-20	POMPA HP UHE-A3-P-I-4-20	1
	65311835	OELPUMPE TA 5C 30107 POMP TA 5C 30107	POMPE FIOUL TA 5C 30107 BOMBA TA 5C 30107	POMPA TA 5C 30107	1
	65322994	OELPUMPE TA 4C 40107 POMP TA 4C 4010 7	POMPE FIOUL TA 4C 4010 7 BOMBA TA 4C 4010 7	POMPA TA 4C 4010 7	1
2705	13022666	MAGNETVENTIL LUC 321F2523 P8 PG11 19W MAGNEETKLEP LUC 321F2523 P8 PG11 19W	ELECTROVANNE LUC 321F2523 P8 PG11 19W ELECTROVALVULA LUC 321F2523 P8 PG11 19W	ELETTROVALVOLA LUC 321F2523 P8 PG11 19W	1
2710	13022667	MAGNETVENTIL LUC 121F2523 P8 PG11 19W MAGNEETKLEP LUC 121F2523 P8 PG11 19W	ELECTROVANNE LUC 121F2523 P8 PG11 19W ELECTROVALVULA LUC 121F2523 P8 PG11 19W	ELETTROVALVOLA LUC 121F2523 P8 PG11 19W	1
2750	13019342	ÖLSCHLAUCH DN20 M30-M30 L1500 OLIESLANG DN20 M30-M30 L1500	FLEXIBLE DN20 M30-M30 L1500 LATIGUILLLO DN20 M30-M30 L1500	FLESSIBILE DN20 M30-M30 L1500	1
2800	65312299	REGELWELLE 2.5 LINKSVERS. REGELING AS 2.5 (CCW)	ARBRE DE REGULATION 2.5 (ROT. GAUCHE) ARBOL DE REGULACION 2.5 (ROT. IZQUIERDA)	ALBERO DI REGOLAZIONE 2.5 (ROT.SINISTRA)	1
	65312300	REGELWELLE 3.0 LINKSVERS. REGELING AS 3.0 (CCW)	ARBRE DE REGULATION 3.0 (ROT. GAUCHE) ARBOL DE REGULACION 3.0 (ROT. IZQUIERDA)	ALBERO DI REGOLAZIONE 3.0 (ROT.SINISTRA)	1
	65312302	REGELWELLE 5.0 LINKSVERS. REGELING AS 5.0 (CCW)	ARBRE DE REGULATION 5.0 (ROT. GAUCHE) ARBOL DE REGULACION 5.0 (ROT. IZQUIERDA)	ALBERO DI REGOLAZIONE 5.0 (ROT.SINISTRA)	1
	65312303	REGELWELLE 6.0 LINKSVERS. REGELING AS 6.0 (CCW)	ARBRE DE REGULATION 6.0 (ROT. GAUCHE) ARBOL DE REGULACION 6.0 (ROT. IZQUIERDA)	ALBERO DI REGOLAZIONE 6.0 (ROT.SINISTRA)	1
5002	65312448	FEUERUNGSAUT. BT320 SPEZIAL EINSTELL. BRANDERAUT. BT320 SPECIAL. AFSTELLING	COFFRET BT320 REGLAGE SPECIFIQUE PROGRAMADOR BT320 CONFIG. ESPECIFICA	APPARECCH. BT320 REGOL. SPEZIAL.	1



		RU TR	PT	PL	X
1020	65312332	КОЖУХ 520X423X337/ВОЗДУ. КАМЕРА EKEVO 6-7 KAPAĞI 520X423X337/HAVA KUTUSU EKEVO 6-7	COBERTURA 520X423X337/CAIXA AR EKEVO 6-7	OSŁONA 520X423X337/KOMORA POW. EKEVO 6-7	1
1030	65312333	ЗВУКОИЗОЛЯЦИЯ/ВОЗДУШНЫЙ БЛОК İZOLASYONU/HAVA KUTUSU	ISOLAMENTO SONORO/CAIXA DE AR	IZOLACJA/OBUDOWA UKŁADU POWIETRZA	1
1040	65311474	ЗАСЛОНКА РЕЦИР.ВОЗ. D369/249/234X132 HAVA GERİ DÖNÜŞÜMÜ D369/249/234X132	RECICLAGEM AR D369/249/234X132	RECYRKULACJA POW.D369/249/234X132	1
	65311490	ЗАСЛОНКА РЕЦИР.ВОЗ. D306/222/200X105 HAVA GERİ DÖNÜŞÜMÜ D306/222/200X105	RECICLAGEM AR D306/222/200X105	RECYRKULACJA POW.D306/222/200X105	1
1050	1180603227	СМОТРОВОЕ ОКНО 55X21 ROGAR CAMI 55X21	VIGIA 55X21	SZKŁO PODGLĄDU 55X21	1
1060	1188052260	КРЫШКА D61/55/ГЛАЗКА ДЛЯ КОНТРОЛЯ KARAK D61/55/GÖZETLEME CAMI	TAMPA D61/55/VIGIA	POKRYWA D61/55/SZKŁO PODGLĄDU	1
1070	1180559591	ГАЙКА M48X1,5 SOMUN M48X1,5	PORCA M48X1,5	KRĘTKA M48X1,5	1
1080	65311473	РАБОЧЕЕ КОЛЕСО D450/252X90 D38+ПЛИТА D58 TURBIN D450/252X90 D38+PLAKA D58/12	TURBINA D450/252X90 D38+PRATO D58/12	WIMIK D450/252X90 D38+PLYTA D58/12	1
	65311489	РАБОЧЕЕ КОЛЕСО D438/225X89 D28+ПЛИТА D58 TURBIN D438/225X89 D28+PLAKA D58/12	TURBINA D438/225X89 D28+PRATO D58/12	WIMIK D438/225X89 D28+PLYTA D58/12	1
	65311822	РАБОЧЕЕ КОЛЕСО D485/252X102D38+ПЛИТА D58 TURBIN D485/252X102 D38+PLAKA D58/12	TURBINA D485/252X102 D38+PRATO D58/12	WIMIK D485/252X102 D38+PLYTA D58/12	1
1091	65310925	ТРАНСФО РОЗЖИГА EBI 2X7,5 230V ATEŞLEME TRAFÖ. EBI 2X7,5 230V	TRANSFO IGNIÇÃO EBI 2X7,5 230V	TRANSFO ZAPŁONOWY EBI 2X7,5 230V	1
1095	65313891	ФОТОРЕЗИСТОР KLC J8-508-3 HÜCRE KLC J8-508-3	CELULA KLC J8-508-3	FOTOKOMÓRKA KLC J8-508-3	1
1096	65327620	ДЕРЖАТЕЛЬ ФОТОРЕЗИСТОР KLC DESTEĞİ HÜCRE KLC	SUPORTE CELULA KLC	WSPORNIK FOTOKOMÓRKA KLC	1
1100	65311472	ЗЕРКАЛО/ГЛАЗОК ДЛЯ КОНТРОЛЯ ПЛАМЕНИ AYNA/GÖZETLEME CAMI	ESELHO/VIGIA	LUSTROWZIERNIK	1
1110	65311595	РЕЛЕ ДАВ. ВОЗДУХА LGW 50 A2P 2,5-50MB HAVA BASINÇ SALT. LGW 50 A2P 2,5-50MB	PRESSOSTATO AR LGW 50 A2P 2,5-50MB	CZUJNIK CIŚ. POW. LGW 50 A2P 2,5-50MB	1
1150	65311650	СЕРВОДВИГАТЕ STE4,5 Q3.51/6+КАБЕЛЬ L3000 SERVOMOTOR STE 4,5 Q3.51/6+KABLOSU L3000	SERVOMOTOR STE 4,5 Q3.51/6+CABO L3000	SERWOMOTOR STE 4,5 Q3.51/6+PRZEWÓD L3000	1
1170	65312555	ЭЛЕКТРОДВИ. 3,0KW 230/400V D28 IE3 ЧЕРН. MOTORU 3,0KW 230/400V D28 IE3 SIYAH	MOTOR 3,0KW 230/400V D28 IE3 PRETO	SILNIK 3,0KW 230/400V D28 IE3 CZARNY	1
	65312556	ЭЛЕКТРОДВИ. 4,0KW 400/690V D28 IE3 ЧЕРН. MOTORU 4,0KW 400/690V D28 IE3 SIYAH	MOTOR 4,0KW 400/690V D28 IE3 PRETO	SILNIK 4,0KW 400/690V D28 IE3 CZARNY	1
	65312557	ЭЛЕКТРОДВИ. 5,5KW 400/690V D38 IE3 ELV MOTORU 5,5KW 400/690V D38 IE3 ELV	MOTOR 5,5KW 400/690V D38 IE3 ELV	SILNIK 5,5KW 400/690V D38 IE3 ELV	1
	65312558	ЭЛЕКТРОДВИ. 7,5KW 400/690V D38 IE3 ЧЕРН. MOTORU 7,5KW 400/690V D38 IE3 SIYAH	MOTOR 7,5KW 400/690V D38 IE3 ELV PRETO	SILNIK 7,5KW 400/690V D38 IE3 ELV CZARNY	1
1200	65312328	ВОЗДУШНАЯ ЗАСЛОНКА В СБОРЕ DONANIMLI HAVA KLAPESI	CONJUNTO ALETA DE AR	PRZEPUSTNICA POWIETRZA Z OSPRZĘTEM	1
1201	65312331	ПРИВОДНОЙ РЫЧАГ/ВОЗДУШНАЯ ЗАСЛОНКА SÜRUCÜ KOLU/HAVA KLAPESI	ALAVANCA ACIONAMENTO ALETA DE AR	DŹWIGNIA NAPĘDU/PRZEPUSTNICA POWIE.	1
1202	65312330	СТЕРЖЕНЬ D10X145 M6 ВОЗДУШНАЯ ЗАСЛОНКА BAĞLANTI D10X145 M6 HAVA KLAPESI	BIELA D10X145 M6 FLAP DE AR	POŁĄCZENIE D10X145 M6 PRZEPUSTNICA POWI.	1
1203	65312329	ОСЬ/ВОЗДУШНАЯ ЗАСЛ. D34/25X100 FLAT L55 AKSI / HAVA KLAPESI D34/25X100 FLAT L55	HASTE / FLAP DE AR D34/25X100 FLAT L55	OŚ/PRZEPUSTNICA POW. D34/25X100 FLAT L55	1
1204	65312459	ОСЬ/ВОЗДУШНАЯ ЗАСЛ. D34/25X100 C.УКАЗАТ. AKSI / HAVA KLAPESI D34/25X100 I.İŞARET.	HASTE / FLAP DE AR D34/25X100 C.PONTEIRO	OŚ/PRZEPUSTNICA POW.D34/25X100 Z WSKAŹN.	1
1510	65312340	КРЫШКА 374X621X331/ELECTRIC PANEL EKEVO KARAK 374X621X331/ELECTRIC PANEL EKEVO	TAMPA 374X621X331/ARMARIO ELECTRICO EKEVO	POKRYWA 374X621X331/ELECTRIC PANEL EKEVO	1
1512	65312338	ЗАГЛУШКА/РЕГУЛЯТОР 92X45 IP54 OBTURATOER/REGULATOR 92X45 IP54	TAMPA CEGA/CONTROLADOR 92X45 IP54	ZAŚLEPKA/REGULATOR 92X45 IP54	1
1520	65326869	ДИСПЛЕЙ БЛОКА УПРАВЛЕНИЯ BT3XX EKRAN KUTU BT3XX	VISOR UNIDADE DE CONTROLE BT3XX	WYŚWIETLACZ MODUŁ BT3XX	1
1525	65311364	ПРОКЛАДКА/ДИСПЛЕЙ 152/140X80/70X2 CONTASİ/EKRAN 152/140X80/70X2	GAXETA/VISOR 152/140X80/70X2	USZCZELKA/WYŚWIETLACZ 152/140X80/70X2	1
1530	65312445	БЛОК УПРАВ. BT320 ОСНОВНЫЕ НАСТРОЙКИ KUTU BT320 TEMEL AYARI	PROGRAMADOR BT320 CONFIGUR. BÁSICA	MODUŁ BT320 USTAWIENIE PODSTAWOWE	1
1580	65311945	РАЗЪЕДИНИТ. ЭЛЕКТРОДВИ. SCH 0,75KW GV2ME07 MOTOR DEVRE KESİCİ SCH 0,75KW GV2ME07	DISJUNTOR MOTOR SCH 0,75KW GV2ME07	WYŁĄCZNIKI SILNIKSCH 0,75KW GV2ME07	1
	65311946	РАЗЪЕДИНИТ. ЭЛЕКТРОД. SCH 1,1-1,5KW GV2ME08 MOTOR DEVRE KESİCİ SCH 1,1-1,5KW GV2ME08	DISJUNTOR MOTOR SCH 1,1-1,5KW GV2ME08	WYŁĄCZNIKI SILNIKSCH 1,1-1,5KW GV2ME08	1
1581	64190721	РАЗЪЕДИНИТ. ЭЛЕКТРОДВИ. SCH GV2ME10 DEVRE KESİCİ MOTOR SCH GV2ME10	DISJUNTOR MOTOR SCH GV2ME10	WYŁĄCZNIKI SILNIK SCH GV2ME10	1
	65311776	РАЗЪЕДИНИТ. ЭЛЕКТРОДВИ. SCH 7,5KW GV2ME20 MOTOR DEVRE KESİCİ SCH 7,5KW GV2ME20	DISJUNTOR MOTOR SCH 7,5KW GV2ME20	WYŁĄCZNIKI SILNIKSCH 7,5KW GV2ME20	1
	65311794	РАЗЪЕДИНИТ. ЭЛЕКТРОДВИ. SCH 3-4KW GV2ME14 DEVRE KESİCİ MOTOR SCH 3-4KW GV2ME14	DISJUNTOR MOTOR SCH 3-4KW GV2ME14	WYŁĄCZNIKI SILNIK SCH 3-4KW GV2ME14	1
	65312033	РАЗЪЕДИНИТ. ЭЛЕКТРОДВИ. SCH 5,5KW GV2ME16 MOTOR DEVRE KESİCİ SCH 5,5KW GV2ME16	DISJUNTOR MOTOR SCH 5,5KW GV2ME16	WYŁĄCZNIKI SILNIKSCH 5,5KW GV2ME16	1

		RU TR	PT	PL	X
1585	65311795	ВСПОМОГАТЕЛЬНЫЙ ПЕРЕКЛЮЧАТЕЛЬ SCH GVA E11 YARDIMCI KONTAK SCH GVA E11	INTERRUPTOR AUXILIAR SCH GVA E11	PRZEŁĄCZNIK POMOCNICZY SCH GVA E11	1
1595	65311793	КОНТАКТОР SCH LC1-D09P7 3-4KW KONTAKTÖR SCH LC1-D09P7 3-4KW	CONTACTOR SCH LC1-D09P7 3-4KW	STYCZNIK SCH LC1-D09P7 3-4KW	1
1596	65311793	КОНТАКТОР SCH LC1-D09P7 3-4KW KONTAKTÖR SCH LC1-D09P7 3-4KW	CONTACTOR SCH LC1-D09P7 3-4KW	STYCZNIK SCH LC1-D09P7 3-4KW	1
	65311947	КОНТАКТОР SCH LC1-D18P7 7,5KW KONTAKTÖR SCH LC1-D18P7 7,5KW	CONTACTOR SCH LC1-D18P7 7,5KW	STYCZNIK SCH LC1-D18P7 7,5KW	1
	65312032	КОНТАКТОР SCH LC1-D12P7 5,5KW KONTAKTÖR SCH LC1-D12P7 5,5KW	CONTACTOR SCH LC1-D12P7 5,5KW	STYCZNIK SCH LC1-D12P7 5,5KW	1
1600	65312334	СИГНАЛЬНАЯ ЛАМПА 32X22,5X21 COM.0401S 8S GÖSTERGE İŞİĞİ 32X22,5X21 COME.0401.S 8S	LUZ INDICAD.32X22,5X21 COMELUX 0401.S 8S	LAMPKA KONTROL.32X22,5X21 COMEL.0401S 8S	1
1601	65312335	ПЕРЕКЛЮЧАТЕЛЬ 2 POS. ON-ON 0401.1.DEV T2 ANAHTARI COM 2 POS. ON-ON 0401.1.DEV T2	INTERRUPTOR 2 POS. ON-ON 0401.1.DEV T2C2	PRZEŁĄCZNIK 2 POS. ON-ON 0401.1.DEV T2C2	1
1602	65312336	ПЕРЕКЛЮЧАТЕЛЬ 3 POS. ON-OFF-ON 0401.1 T2 ANAHTARI COM 3 POS. ON-OFF-ON 0401.1 T2	INTERRUPTOR 3 POS. ON-OFF-ON 0401.1 T2C2	PRZEŁĄCZNIK 3 POS. ON-OFF-ON 0401.1 T2C2	1
1604	65312337	ПЕРЕКЛЮЧАТЕЛЬ COM 2 POS. MOMENT. 0401.1 ANAHTARI COM 2 POS.MOMENTARY 0401.1 T2C2	INTERRUPTOR 2 POS. MOMENTARY 0401.1 T2C2	PRZEŁĄCZNIK COM 2 POS. MOMENT. 0401.1 T2	1
1605	65312341	ЗАГЛУШКА/ЧЕХОЛ ЭЛЕКТРОННОГО ЩИТА OBTURATOER/ELEKTR. MUHAFAZA KARAĞI	TAMPA CEGA/TAMPA DO ARMÁRIO ELÉTRICO	ZASŁEPKA/POKRYWA URZĄDZEŃ ELEKTR.	1
1610	65311451	САЛБНИК M16 KABLO RAKORU M16	PRENSAESTOPAS M16	DŁAWNICA M16	1
1611	65311758	САЛБНИК M20 KABLO RAKORU M20	PRENSAESTOPAS M20	DŁAWNICA M20	1
1612	65312852	САЛБНИК CLICK M25 KABLO RAKORU CLICK M25	PRENSAESTOPAS CLICK M25	DŁAWNICA CLICK M25	1
1700	65311446	ИНСТРУМЕНТЫ WAG 2009-309 İŞLETİM ARAC WAG 2009-309	FERRAMENTA WAG 2009-309	NARZĘD. D.PRZEŁĄCZANIA WAG 2009-309	1
2020	65311851	СОПЛО ГОРЕЛКИ D263/310/265 L380 BRÜLÖR BORUSU D263/310/265 L380	TUBO DO QUEIMADOR D263/310/265 L380	RURA PALNIKA D263/310/265 L380	1
	65311852	СОПЛО ГОРЕЛКИ D263/310/265 L500 BRÜLÖR BORUSU D263/310/265 L500	TUBO DO QUEIMADOR D263/310/265 L500	RURA PALNIKA D263/310/265 L500	1
	65311853	СОПЛО ГОРЕЛКИ D263/310/265 L620 BRÜLÖR BORUSU D263/310/265 L620	TUBO DO QUEIMADOR D263/310/265 L620	RURA PALNIKA D263/310/265 L620	1
	65312875	СОПЛО ГОРЕЛКИ D263/240/290/250 L500 INOX BRÜLÖR BORUSU D263/240/290/250 L500 INOX	TUBO QUEIMADOR D263/240/290/250 L500 INO	RURA PALNIKA D263/240/290/250 L500 INOX	1
	65312910	СОПЛО ГОРЕЛКИ D263/240/290/250 L380 INOX BRÜLÖR BORUSU D263/240/290/250 L380 INOX	TUBO QUEIMADOR D263/240/290/250 L380 INO	RURA PALNIKA D263/240/290/250 L380 INOX	1
	65312912	СОПЛО ГОРЕЛКИ D263/240/290/250 L620 INOX BRÜLÖR BORUSU D263/240/290/250 L620 INOX	TUBO QUEIMADOR D263/240/290/250 L620INOX	RURA PALNIKA D263/240/290/250 L620 INOX	1
	65312913	СОПЛО ГОРЕЛКИ D323.5/275/340/280 L425 BRÜLÖR BORUSU D323.5/275/340/280 L425	TUBO D.QUEIMADOR D323.5/275/340/280 L425	RURA PALNIKA D323.5/275/340/280 L425	1
	65312914	СОПЛО ГОРЕЛКИ D323.5/275/340/280 L555 BRÜLÖR BORUSU D323.5/275/340/280 L555	TUBO D.QUEIMADOR D323.5/275/340/280 L555	RURA PALNIKA D323.5/275/340/280 L555	1
	65312915	СОПЛО ГОРЕЛКИ D323.5/275/340/280 L685 BRÜLÖR BORUSU D323.5/275/340/280 L685	TUBO D.QUEIMADOR D323.5/275/340/280 L685	RURA PALNIKA D323.5/275/340/280 L685	1
	65312916	СОПЛО ГОРЕЛКИ D324/370/310 L425 BRÜLÖR BORUSU D324/370/310 L425	TUBO D.QUEIMADOR D324/370/310 L425	RURA PALNIKA D324/370/310 L425	1
	65312917	СОПЛО ГОРЕЛКИ D324/370/310 L555 BRÜLÖR BORUSU D324/370/310 L555	TUBO D.QUEIMADOR D324/370/310 L555	RURA PALNIKA D324/370/310 L555	1
	65312918	СОПЛО ГОРЕЛКИ D324/370/310 L685 BRÜLÖR BORUSU D324/370/310 L685	TUBO D.QUEIMADOR D324/370/310 L685	RURA PALNIKA D324/370/310 L685	1
2070	65313731	КАБЕЛЬ РОЗЖИГА FZLSI 1X1,00Q-CU/СИЛИКОН. ATEŞLEME KABLO. FZLSI 1X1,00Q-CU/SILIKON	CABO IGNIZACAO FZLSI 1X1,00Q-CU/SILICONE	PRZEWÓD ZAPŁON. FZLSI 1X1,00Q-CU/SILIKON	1
2071	65311374	КРУГЛЫЙ СОЕДИНИТЕЛЬ D6.4/КАБЕЛЬ РОЗЖИГА YUVARL.ERKEK KONNEKT.D6.4/ATEŞLEM.KABLO.	CONNECT.MASC.REDONDO D6.4/CABO IGNIZACAO	OKRĄGŁE ZŁĄCZE MĘSKIE D6.4/PRZEWÓD.ZAPŁO.	1
2072	13013226	РЕЗИСТОР ПОДАВЛЕНИЕ ПОМЕХ 1КОМН D10X52.5 REZISTANS PARAZIT GIDERME 1КОМН D10X52.5	RESIST.SUPRESSÃO INTERFER.1КОМН D10X52.5	REZYSTOR TŁUMIENIE ZAKŁÓC.1КОМН D10X52.5	1
2110	65310991	ДЕФЛЕКТОР D238/45X36,5 8SL DEFLEKTOR D238/45X36,5 8SL	DEFLECTOR D238/45X36,5 8SL	DEFLEKTOR D238/45X36,5 8SL	1
	65311025	ДЕФЛЕКТОР D260/104/62X40 12SL DEFLEKTOR D260/104/62X40 12SL	DEFLECTOR D260/104/62X40 12SL	DEFLEKTOR D260/104/62X40 12SL	1
2125	65311454	О-КОЛЬЦО D30X4 O-RING D30X4	O-RING D30X4	O-RING D30X4	1
2190	65311469	ЭЛЕКТРОД ЗАЖИГА D9,2X50 D3X86 50° L150 d4 ATEŞLEYİ.ELEKT.D9,2X50 D3X86 50° L150 d4	ELETROD.ENCEND.D9,2X50 D3X86 50° L150 d4	ELEKTRODA ALU.D9,2X50 D3X86 50° L150 d4	1
2220	65311555	ДЕРЖАТЕЛЬ ЭЛЕКТРОД ЗАЖИГАНИЯ(ДИЗЕЛЬНОГО) DESTEĞİ ATEŞLEYİCİ ELEKTROD (YAKIT)	SUPORTE ELETRODO ENCENDIDO (FUEL)	WSPORNIK ELEKTRODA ALU. (OLEJU)	1
2235	65311393	ФОРСУНКА FLU 180 KG 50° W2 PÜSK. MEMESİ FLU 180 KG 50° W2	BOQUILLA FLU 180 KG 50° W2	DYSZA FLU 180 KG 50° W2	1
	65312605	ФОРСУНКА FLU 250 KG 50° W2 PÜSK. MEMESİ FLU 250 KG 50° W2	BOQUILLA FLU 250 KG 50° W2	DYSZA FLU 250 KG 50° W2	1

					
	65323551	ФОРСУНКА FLU 400 KG 50° W2 PÜSK. MEMESI FLU 400 KG 50° W2	BOQUILLA FLU 400 KG 50° W2	DYSZA FLU 400 KG 50° W2	1
	65323552	ФОРСУНКА FLU 450 KG 50° W2 PÜSK. MEMESI FLU 450 KG 50° W2	BOQUILLA FLU 450 KG 50° W2	DYSZA FLU 450 KG 50° W2	1
2360	65311864	РУКОВОДСТВО ЛИНИЯ ФОРСУНКИ KILAVUZ PÜSKÜRTME MEMESI HATTI	GUIA LÍNEA DE BOQUILLA	PRZEWODNIK UKŁAD DYSZY	1
2380	65311815	ЛИНИЯ ФОРСУНКИ RDN 1D 7/8ZD30 L900 PÜSKÜRTME MEM.HATTI RDN 1D 7/8ZD30 L900	LÍNEA DE BOQUILLA RDN 1D 7/8ZD30 L900	UKŁAD DYSZY RDN 1D 7/8ZD30 L900	1
	65311866	ЛИНИЯ ФОРСУНКИ L664 1D 7/8Z PÜSKÜRTME MEM.HATTI L664 1D 7/8Z	LÍNEA DE BOQUILLA L664 1D 7/8Z	UKŁAD DYSZY L664 1D 7/8Z	1
	65311867	ЛИНИЯ ФОРСУНКИ L580 1D 7/8Z PÜSKÜRTME MEM.HATTI L580 1D 7/8Z	LÍNEA DE BOQUILLA L580 1D 7/8Z	UKŁAD DYSZY L580 1D 7/8Z	1
	65311868	ЛИНИЯ ФОРСУНКИ L748 1D 7/8Z PÜSKÜRTME MEM.HATTI L748 1D 7/8Z	LÍNEA DE BOQUILLA L748 1D 7/8Z	UKŁAD DYSZY L748 1D 7/8Z	1
	65311871	ЛИНИЯ ФОРСУНКИ RDN 1D 7/8ZD30 L832 PÜSKÜRTME MEM.HATTI RDN 1D 7/8ZD30 L832	LÍNEA DE BOQUILLA RDN 1D 7/8ZD30 L832	UKŁAD DYSZY RDN 1D 7/8ZD30 L832	1
2490	65311873	ШЛАНГ INOX DN8 L400 ESNEK INOX DN8 L400	FLEXIVEL INOX DN8 L400	PRZEWÓD GIĘTKI INOX DN8 L400	1
2510	65311564	ЭЛЕКТРОДВИГАТЕЛЬ 0,75KW 230/400V IE3 GMP MOTORU 0,75KW 230/400V IE3 GMP	MOTOR 0,75KW 230/400V IE3 GMP	SILNIK 0,75KW 230/400V IE3 GMP	1
	65311829	ЭЛЕКТРОДВИГАТЕЛЬ 1,1KW230/400V IE3 GMP MOTORU 1,1KW230/400V IE3 GMP	MOTOR 1,1KW230/400V IE3 GMP	SILNIK 1,1KW230/400V IE3 GMP	1
	65325517	ЭЛЕКТРОДВИГАТЕЛЬ 1,5KW230/400V IE3 GMP MOTORU 1,5KW230/400V IE3 GMP IP55	MOTOR 1,5KW230/400V IE3 GMP IP55	SILNIK 1,5KW230/400V IE3 GMP IP55	1
2515	65325386	СЦЕПЛЕНИЕ D24/12X15 STARRY KARPLIN D24/12X15 STARRY	ACOPLEMENTO D24/12X15 STARRY	ŁĄCZNIK D24/12X15 STARRY	1
2520	65312206	РЕЛЕ ДАВЛЕНИЯ МАСЛА DSB 158 F931 3-25BAR YAKIT BASINÇ ŞALT. DSB 158 F931 0-25BAR	PRESSOSTATO FUEL DSB 158 F931 0-25BAR	CZUJNIK CIŚ.OLEJU OP.DSB158 F931 0-25BAR	1
2525	65311615	РАЗЪЕМ HIRSCH GDMW3011 WITH SKIRT PRIZ HIRSCH GDMW3011 WITH SKIRT	TOMADA HIRSCH GDMW3011 WITH SKIRT	GNIAZDO HIRSCH GDMW3011 WITH SKIRT	1
2526	65311616	ПРОКЛАДКА GDM 3-21 CONTASI GDM 3-21	GAXETA GDM 3-21	USZCZELKA GDM 3-21	1
2550	65311650	СЕРВОДВИГАТЕЛЬ STE4,5 Q3.51/6+КАБЕЛЬ L3000 SERVOMOTOR STE 4,5 Q3.51/6+KABLOSU L3000	SERVOMOTOR STE 4,5 Q3.51/6+CABO L3000	SERWOMOTOR STE 4,5 Q3.51/6+PRZEWÓD L3000	1
2555	65311831	ПРОКЛАДОЧНОЕ HEX15X42 M6-M8 PASPAYI HEX15X42 M6-M8	ESPAÇADOR HEX15X42 M6-M8	ROZPÓRKA HEX15X42 M6-M8	1
2560	65313523	Т-ШТУЦЕР P-TV 10 L T-RAKOR P-TV 10 L	UNIÃO EM T P-TV 10 L	T-ZŁĄCZE P-TV 10 L	1
2561	65312937	Т-ШТУЦЕР P-ELVD 10 L T-RAKOR P-ELVD 10 L	UNIÃO EM T P-ELVD 10 L	T-ZŁĄCZE P-ELVD 10 L	1
2562	65312938	Т-ШТУЦЕР P-TV18/18/10L T-RAKOR P-TV18/18/10L	UNIÃO EM T P-TV18/18/10L	T-ZŁĄCZE P-TV18/18/10L	1
2570	65312935	СЦЕПЛЕНИЕ D10/D8X38-90 KARPLIN D10/D8X38-90	ACOPLEMENTO D10/D8X38-90	ŁĄCZNIK D10/D8X38-90	1
2580	65311412	ПЛАСТИНА СЕРВОДВИГАТЕЛЬ STE SERVOMOTOR STE PLAKA	PRATO DO SERVOMOTOR STE	PŁYTA SERWOMOTOR STE	1
2600	65312934	МОНТ.ВОЖДЕ ГИДРАВ.БЛОК N6/7&EKEVO6/7E BT HIDROL.ÜNİT.DÜZE.SÜRME N6/7&EKEVO6/7E BT	MONT.CONDUÇ.UNID.HIDR. N6/7&EKEVO6/7E BT	MONT.SZKOL.AGREG.HYDR. N6/7&EKEVO6/7E BT	1
2610	65311578	ФИЛЬТР ТОПЛИВА RP3/4 PN16 YAKIT FİLTRESİ RP3/4 PN16	FILTRO FUEL RP3/4 PN16	FILTR OLEJU RP3/4 PN16	1
2700	65311577	НАСОС HP UHE-A3-P-I-4-20 POMPA HP UHE-A3-P-I-4-20	BOMBA HP UHE-A3-P-I-4-20	POMPA HP UHE-A3-P-I-4-20	1
	65311835	НАСОС TA 5C 30107 POMPA TA 5C 30107	BOMBA TA 5C 30107	POMPA TA 5C 30107	1
	65322994	НАСОС TA 4C 4010 7 POMPA TA 4C 4010 7	BOMBA TA 4C 4010 7	POMPA TA 4C 4010 7	1
2705	13022666	ЭЛЕКТРОКЛАПАН LUC 321F2523 P8 PG11 19W ELECTROVANA LUC 321F2523 P8 PG11 19W	ELECTROVALVULA LUC 321F2523 P8 PG11 19W	ELEKTROZAWOR LUC 321F2523 P8 PG11 19W	1
2710	13022667	ЭЛЕКТРОКЛАПАН LUC 121F2523 P8 PG11 19W ELECTROVANA LUC 121F2523 P8 PG11 19W	ELECTROVALVULA LUC 121F2523 P8 PG11 19W	ELEKTROZAWOR LUC 121F2523 P8 PG11 19W	1
2750	13019342	ШЛАНГ DN20 M30-M30 L1500 ESNEK DN20 M30-M30 L1500	FLEXIVEL DN20 M30-M30 L1500	PRZEWÓD GIĘTKI DN20 M30-M30 L1500	1
2800	65312299	РЕГУЛЯТОР (ЛЕВ.) 2.5 (CCW) AĞAÇ DÜZENLEMESİ 2.5 (CCW)	VEIO DE REGULAÇÃO 2.5 (CCW)	DRZEWO REGULACJA 2.5 (CCW)	1
	65312300	РЕГУЛЯТОР (ЛЕВ.) 3.0 (CCW) AĞAÇ DÜZENLEMESİ 3.0 (CCW)	VEIO DE REGULAÇÃO 3.0 (CCW)	DRZEWO REGULACJA 3.0 (CCW)	1
	65312302	РЕГУЛЯТОР (ЛЕВ.) 5.0 (CCW) AĞAÇ DÜZENLEMESİ 5.0 (CCW)	VEIO DE REGULAÇÃO 5.0 (CCW)	DRZEWO REGULACJA 5.0 (CCW)	1
	65312303	РЕГУЛЯТОР (ЛЕВ.) 6.0 (CCW) AĞAÇ DÜZENLEMESİ 6.0 (CCW)	VEIO DE REGULAÇÃO 6.0 (CCW)	DRZEWO REGULACJA 6.0 (CCW)	1
5002	65312448	БЛОК УПРАВ. BT320 ОПРЕДЕЛ. ПАРАМ. KUTU BT320 ÖZEL AYAR	PROGRAMADOR BT320 CONFIG. ESPECÍFICA	MODUŁ BT320 SPECYFICZNE USTAWIENIE	1









## ADDRESSES

<https://www.elco-burners.com>

[www.elco.net](http://www.elco.net)



## LIST OF THE ABBREVIATIONS

-  : Maintenance parts / Pièces d'entretien / Materiali di consumo /  
: Piezas de mantenimiento / Hilfsmaterial / Onderhoudsonderdelen
-  : Wearing parts / Pièces d'usure / Parti di usura  
: Piezas de desgaste / Verschleissteile / Slijtageonderdelen
- \* : Item not stocked, manufactured to order / Article non stocké, fabrication à la demande /  
: Articolo non a magazzino, produzione all'ordine / Artículo no almacenado, fabricación previa solicitud /  
: Keine Lagerware, wird bei Bedarf bestellt, Artikel niet op voorraad, fabricage op bestelling

## IDENTIFICATION PLATE

### SERIAL NUMBER

**7 Characters :** 00001 / K A

Sequential number

Trimester of manufacture : from A to D  
Year of manufacture : K → 2003  
L → 2004  
M → 2005  
etc ...

**8 Characters :** 00001 / L 09

Sequential number

Month of manufacture  
Year of manufacture : K → 2003  
L → 2004  
M → 2005  
etc ...

**11 Characters :** 2007 1370 P 07

Year of manufacture

Month of manufacture  
Year of manufacture : P → 2007  
R → 2008  
S → 2009  
T → 2010  
U → 2011  
W → 2012  
X → 2013  
Y → 2014  
Z → 2015

Sequential number

**18 Characters :** 070115 000000000001

Sequential number  
Manufacturing day (07) / Month (01) / Year (15)

The indications mentioned on the prices, commercial or technical literature and the scheme are written for your guidance and are available at a given time. The CONSTRUCTOR retains the power to modify the presentation, the form, the size, the conception or the material of the products.