



SPARE PARTS EXPLODED VIEW
DUAL-FUEL BURNERS
Model
CB-EKEVO8/9 GL-EF3

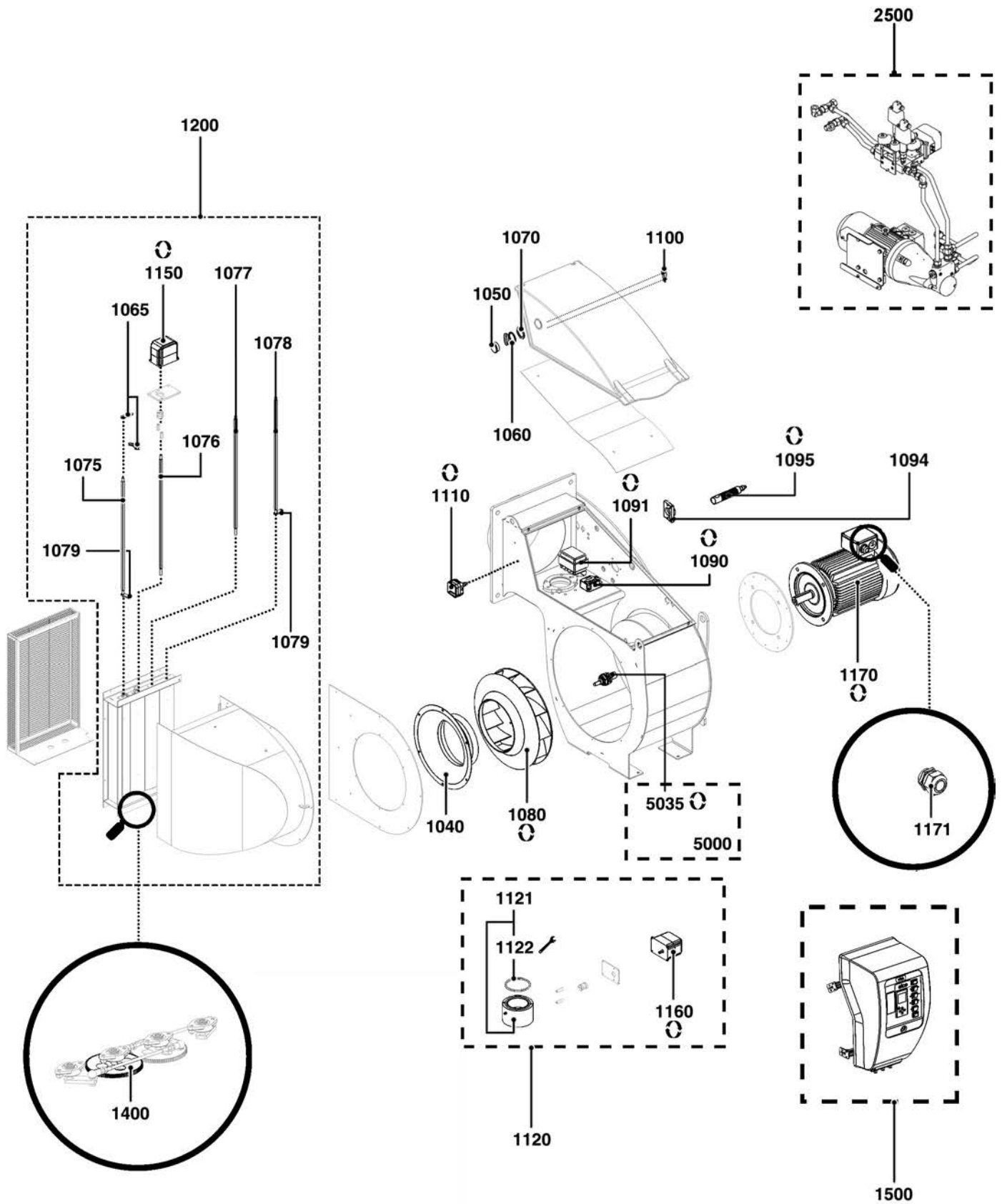
R8220175-01 - 05/12/2016

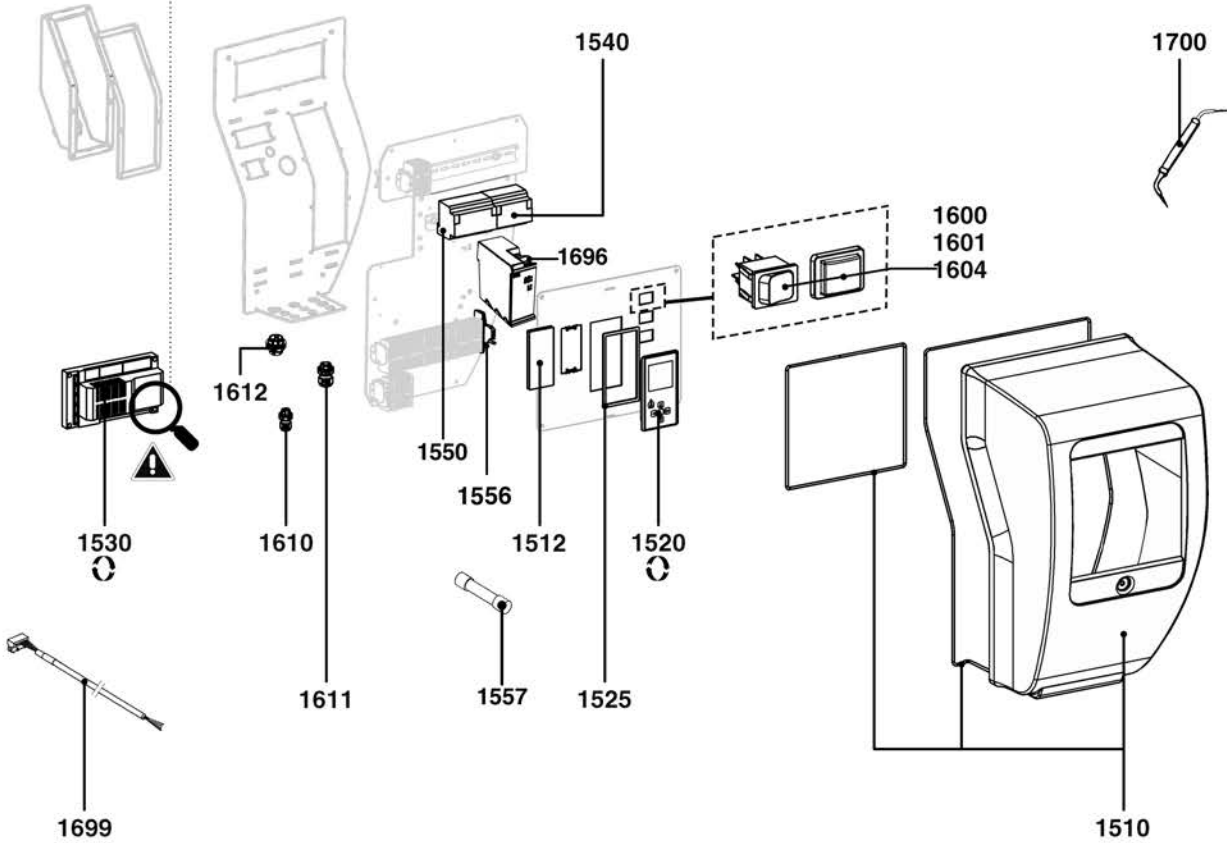
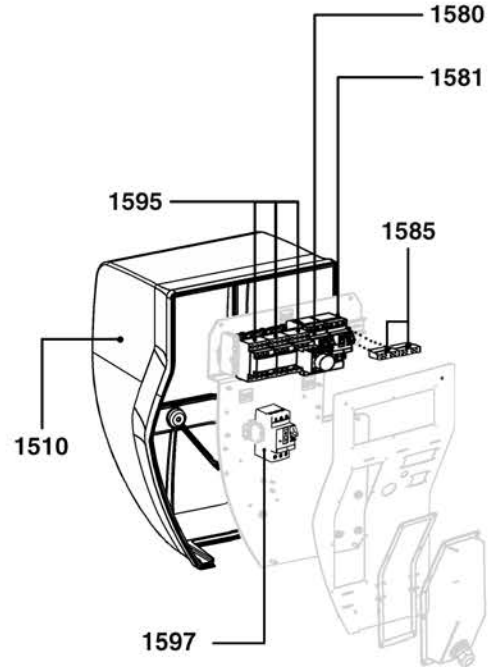
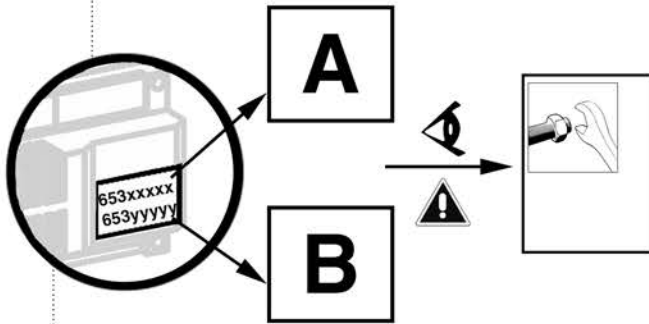
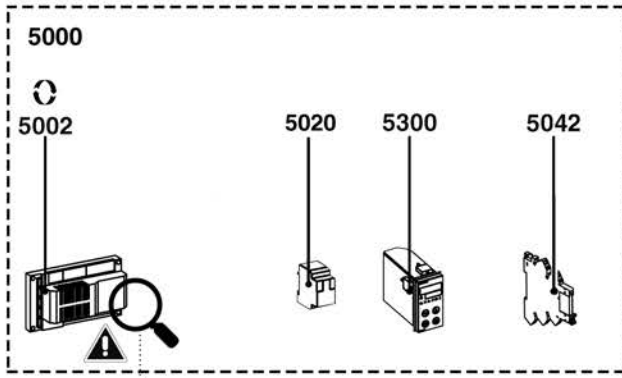
CB-EKEVO8/9 GL-EF3

Dual-Fuel burner

1	3754825	EKEVO 8.5700 GL-EF3/BT3/KN	01-2016	-
2	3754829	EKEVO 8.5700 GL-EF3/BT3/KM	01-2016	-
3	3754833	EKEVO 8.5700 GL-EF3/BT3/KL	01-2016	-
4	3754826	EKEVO 9.6500 GL-EF3/BT3/KN	01-2016	-
5	3754830	EKEVO 9.6500 GL-EF3/BT3/KM	01-2016	-
6	3754834	EKEVO 9.6500 GL-EF3/BT3/KL	01-2016	-
7	3750537	GT-s457-2	08-2012	-
8	3750515	GT-d457-2	11-2013	-
9	3750538	GT-s458-65	07-2012	-
10	3750539	GT-s459-80	08-2013	-
11	3750540	GT-s460-100	03-2014	-
12	3750541	GT-s461-125	06-2014	-
13	3750516	GT-d458-65	06-2012	-
14	3750517	GT-d459-80	03-2013	-
15	3750518	GT-d460-100	10-2012	-

Col	Reference	Model type	Begin	End
-----	-----------	------------	-------	-----



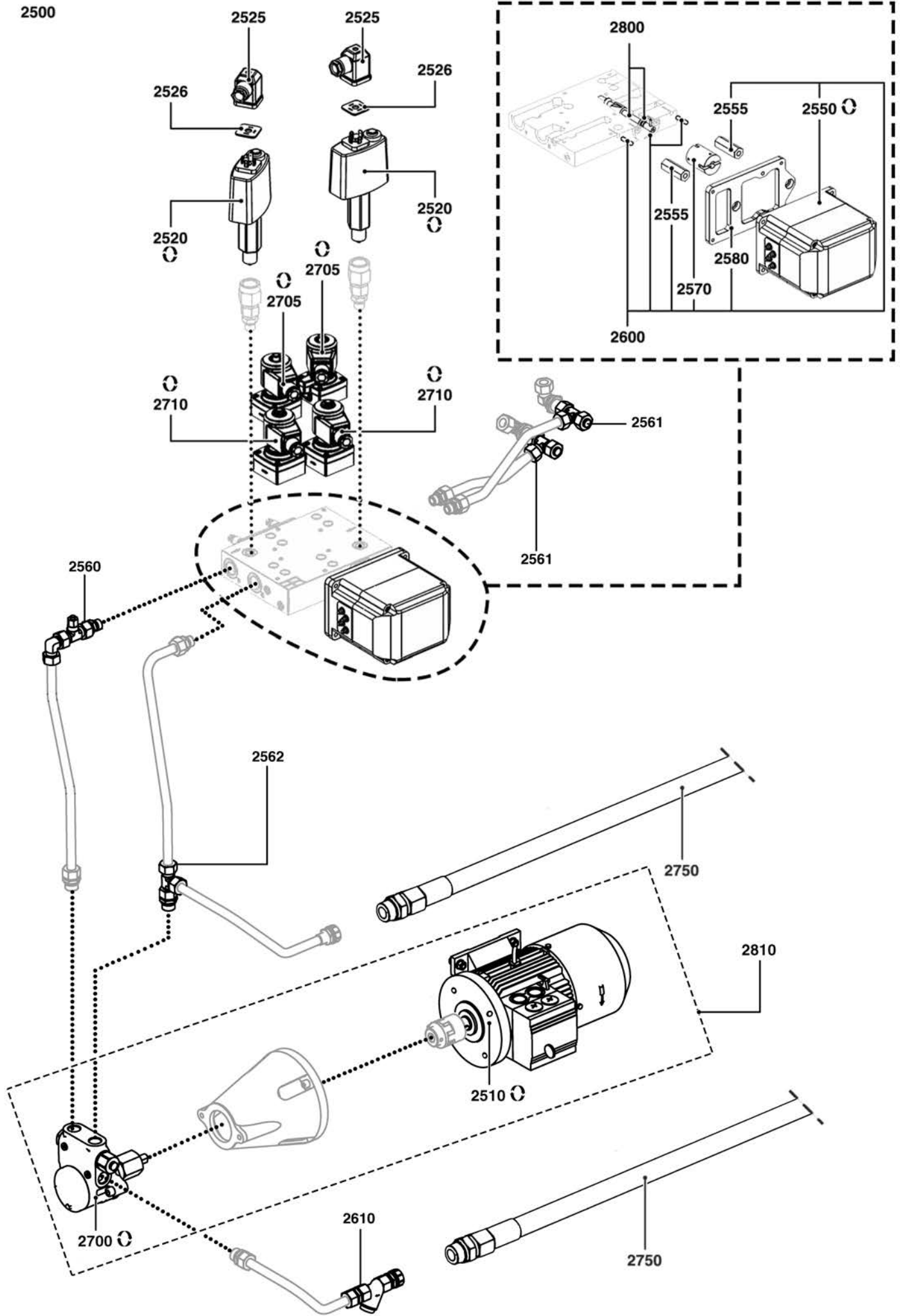


Description	Manf. Pt. N	Type	<div style="display: flex; justify-content: space-between; font-size: 8px; text-align: center;"> EKEVO 8.570 GL-EF3BT3MM EKEVO 8.570 GL-EF3BT3MM EKEVO 8.570 GL-EF3BT3KL EKEVO 9.8500 GL-EF3BT3MM EKEVO 9.8500 GL-EF3BT3MM EKEVO 9.8500 GL-EF3BT3KL GT-8457-2 GT-8457-2 GT-8458-85 GT-8459-80 GT-8459-100 GT-8461-100 GT-8461-125 GT-8458-85 GT-8459-80 GT-8461-100 </div>																		From	to
			1	2	3	4	5	6	7	8	9	10	11	12	13	14	15	16	17	18		
1500 ELECTRIC PART																						
1510 SWITCH CABINET COVER	65312340		•	•	•	•	•	•														
1512 BLIND CAP/CONTROLLER 92X45 IP54	65312338		•	•	•	•	•	•														
1520 DISPLAY FOR CONTROL UNIT BT3XX	65326869		•	•	•	•	•	•														
1525 GASKET/DISPLAY 152/140X80/70X2	65311364		•	•	•	•	•	•														
1530 CONTROL UNIT BT340 BASIC SETTING	65312447		•	•	•	•	•	•														
1540 DFM300 MODULE (LSB-M 667R0600-1)	65311791		•	•	•	•	•	•														
1550 LCM100 MODULE (LSB-M 667R0500-1)	65311790		•	•	•	•	•	•														
1555 ADAPTER BT300/DFM300 RAST5	65311789		•	•	•	•	•	•														
1556 FUSE HOLDER + FUSE 6.3A (CERAMIC)	65313849		•	•	•	•	•	•														
1557 FUSE G5X20 CERAMIC	65313850		•	•	•	•	•	•														
1580 MOTOR CONTACTOR SCH D 3-4kW LC1D09P7	65311793		•	•	•	•	•	•														
1581 CIRCUIT BREAK. MOTOR 3-4KW GV2ME14	65311794		•	•	•	•	•	•														
1585 AUXILIARY SWITCH GVAE11	65311795		•	•	•	•	•	•														
1595 MOTOR STARTER Y/D 18KW LC3D18P7	65311796		•	•	•																	
MOTOR STARTER Y/D 22KW LC3D32AP7	65311797					•	•	•														
1597 CIRCUIT BREAK. MOTOR 15KW GV2ME32	65311798		•	•	•																	
CIRCUIT BREAK. MOTOR 22KW GV3P50	65311917					•	•	•														
1600 SWITCH CABINET LIGHT INDICATOR	65312334		•	•	•	•	•	•														
1601 2-POS. ROCKER SWITCH	65312335		•	•	•	•	•	•														
1604 3-POS. MOMENTARY SWITCH	65313828		•	•	•	•	•	•														
1610 CABLE GLAND M16	65311451		•	•	•	•	•	•														
1611 CABLE GLAND M20	65311758		•	•	•	•	•	•														
1612 CABLE GLAND CLICK M25	65312852		•	•	•	•	•	•														
1696 LAM CONSOLE F152 659G0501	65312275		•	•	•	•	•	•														
1699 CABLE CONNECT. BT300/LCM100 667P0515	65312244		•	•	•	•	•	•														
1700 OPERATING TOOL WAG 2009-309	65311446		•	•	•	•	•	•														
5000 ACCESSORY																						
5002 CONTR. UNIT BT340 CUSTOMIZED SETTING	65312450		•	•	•	•	•	•														
CONTROL UNIT BT340 GL-EF3+FRQ.CTRL	65312455		•	•	•	•	•	•														
5020 VSM100 MODULE (LSB-M 667R0200-1)	65311918		•	•	•	•	•	•														
5042 RELAY FIN 38.61.8.240.5060 KLL 1W FZ	65311940		•	•	•	•	•	•														
5300 CONTROLLER RWF 55.50A9	65114033		•	•	•	•	•	•														

Description	Manf. Pt. N	Type	<div style="display: flex; justify-content: space-between; font-size: 8px; text-align: center;"> EKEVO 8/570 GL-EF30T3MM EKEVO 8/570 GL-EF30T3MM EKEVO 8/570 GL-EF30T3MM EKEVO 9/850 GL-EF30T3MM EKEVO 9/850 GL-EF30T3MM EKEVO 9/850 GL-EF30T3MM GT-8459-2 GT-8459-2 GT-8459-85 GT-8459-80 GT-8459-100 GT-8461-100 GT-8461-125 GT-8459-85 GT-8461-100 </div>																		From	to
			1	2	3	4	5	6	7	8	9	10	11	12	13	14	15	16	17	18		
2000 COMBUSTION HEAD																						
2020 FLAME TUBE D369/300 L583 F3	65311415		•																			
FLAME TUBE D369/300 L723 F3	65311416			•																		
FLAME TUBE D369/300 L863 F3	65311417				•																	
FLAME TUBE D431,5/369/300 L598 F3	65311418					•																
FLAME TUBE D431,5/369/300 L748 F3	65311419						•															
FLAME TUBE D431,5/369/300 L898 F3	65311420							•														
2110 SWIRLER D230/210/121X325 10SL	65311422		•	•	•	•	•	•														
2115 AIR GUIDE	65311421		•	•	•	•	•	•														
2120 NOZZLE DZ1000 550KG 60° M14 1-5	1450621490		•	•	•																	
NOZZLE DZ1000 600KG 60° M14 1-5	1450621503					•	•	•														
2130 GAS NOZZLE D28/22 L100 140°	65311423		•	•	•	•	•	•														
2140 GAS NOZZLE S D25/19	65311424		•	•	•	•	•	•														
2190 IGNITION ELECT.D9X50 D3X101 130°L150 D4	65311425		•	•	•	•	•	•														
2200 IGNITION CABLE L250 AP	65312214		•	•	•	•	•	•														
2201 IGNITION CABLE D4/SAT 72750	65310724		•	•	•	•	•	•														
2230 IGNITION ELECT.D9X50 D3X30 90+50°L150 D4	65311426		•	•	•	•	•	•														
2250 O-RING 217D142,88X5,33 NBR	65311807		•	•	•	•	•	•														
2260 GASKET/OVAL FLANGE 210X160X2 D116	65311713		•	•	•	•	•	•														
2300 ADAPTER PLATE/GAS DIFFUSER	65313902		•	•	•	•	•	•														
2350 HEAD SLIDE ADJUST ROD KL	65311428				•																	
HEAD SLIDE ADJUST ROD KL	65311430								•													
HEAD SLIDE ADJUST ROD KM	65311427			•																		
HEAD SLIDE ADJUST ROD KM	65311429								•													
HEAD SLIDE ADJUST ROD KN	65311808		•			•																
2360 SEALING CAP	65311812		•	•	•	•	•	•														
2370 SETTING GUIDE	65311813		•	•	•	•	•	•														
2380 NOZZLE ROD RDG1250 L1060	65311431			•				•														
NOZZLE ROD RDG1250 L1160	65311432				•				•													
NOZZLE ROD RDG1250 L860	65310280		•			•																
2385 CONNECTION ROD CS10X200	65311714		•	•	•	•	•	•														
2386 CONNECTION ROD CS10X325	65311433		•	•	•	•	•	•														
2390 SPACER SW 13X30 M6	65311819		•	•	•	•	•	•														
2395 SPACER SW 13X85 2XM6	65311820		•	•	•	•	•	•														
2400 COUPLING ACTUATOR	65311434		•	•	•	•	•	•														
2450 ACTUATOR STM 40 Q15.5/8 2NR	65311833		•	•	•	•	•	•														
2490 OIL HOSE DN16 L500	65311435		•	•	•	•	•	•														

CB-EKEVO8/9 GL-EF3

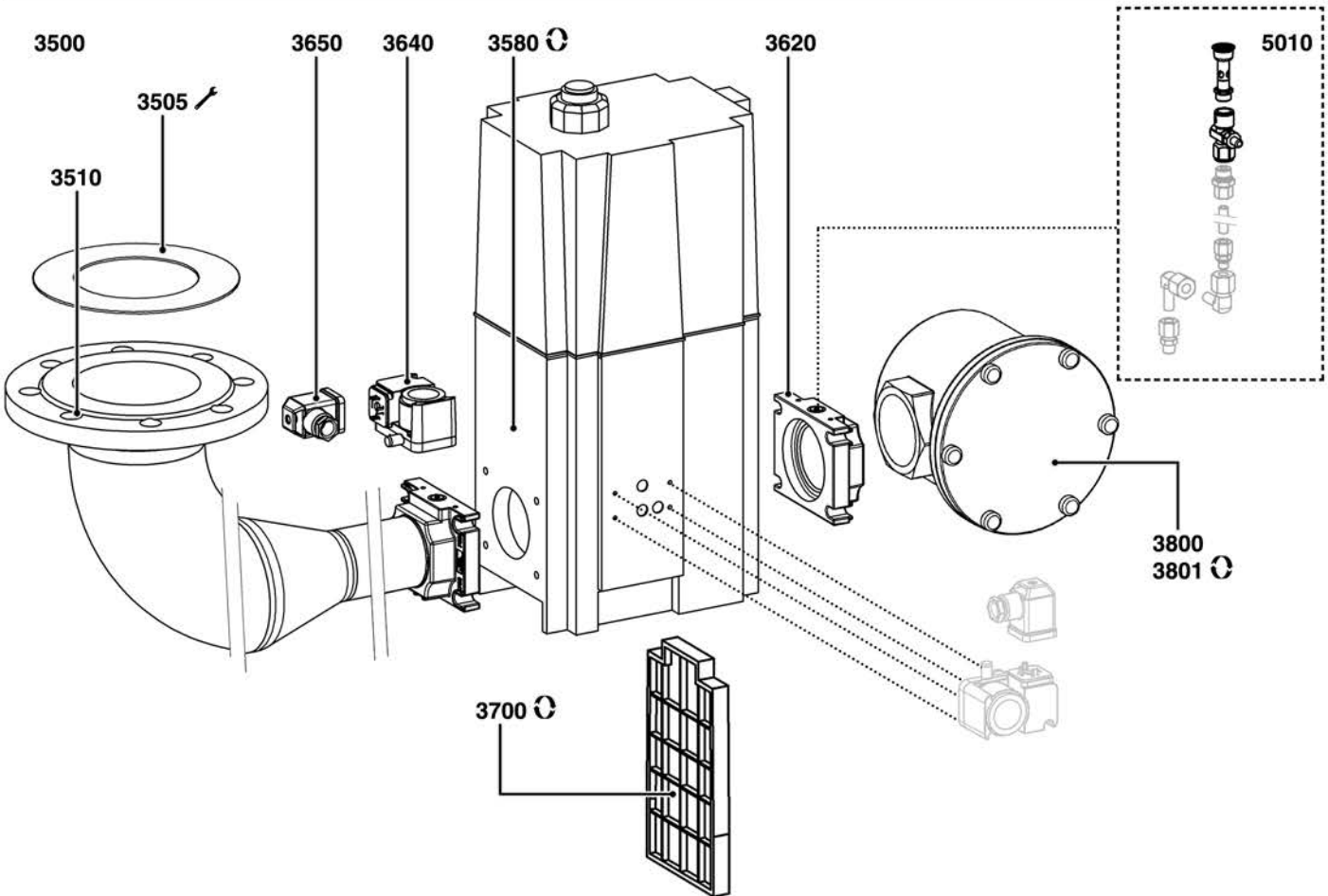
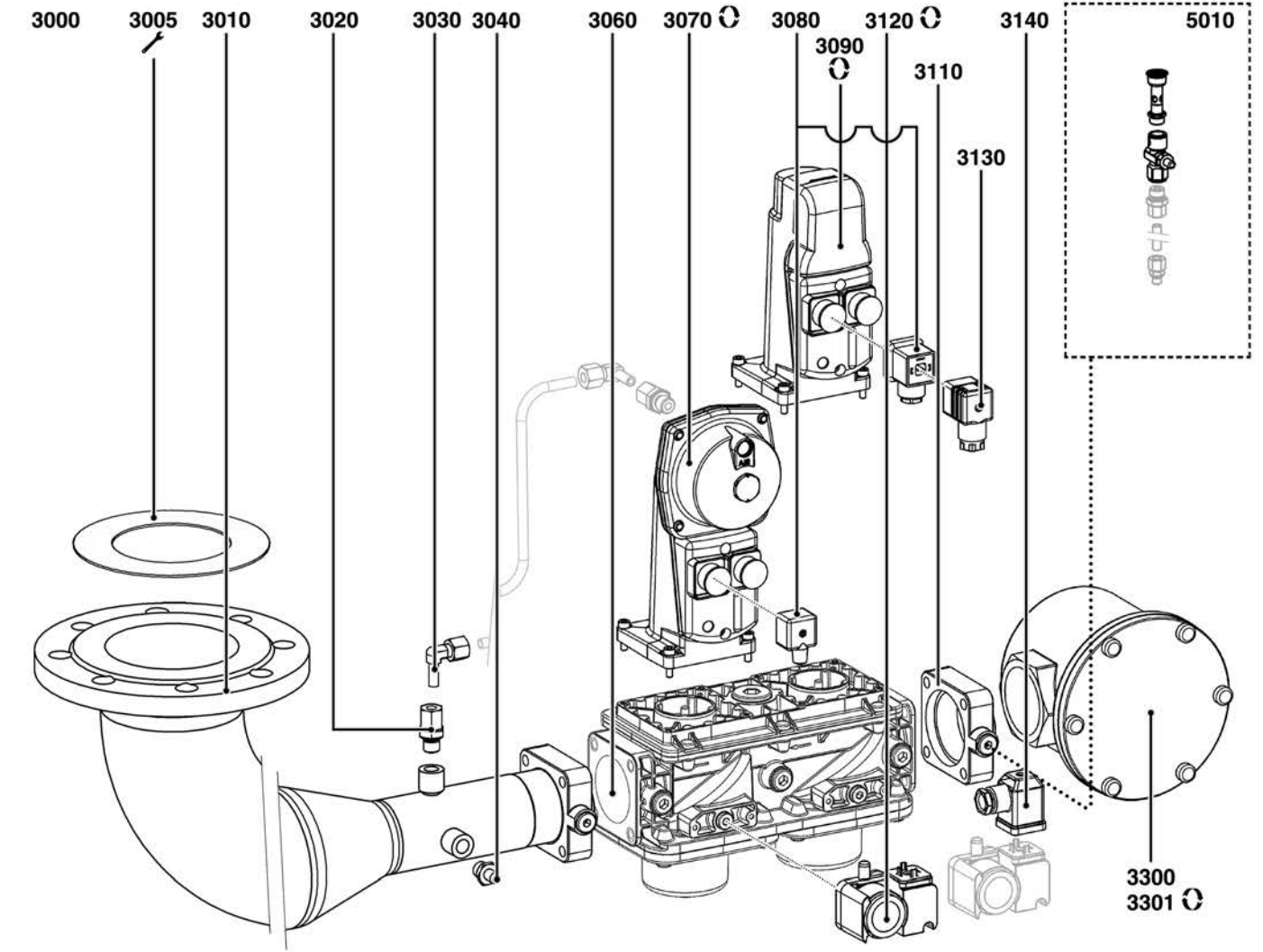
Dual-Fuel burner

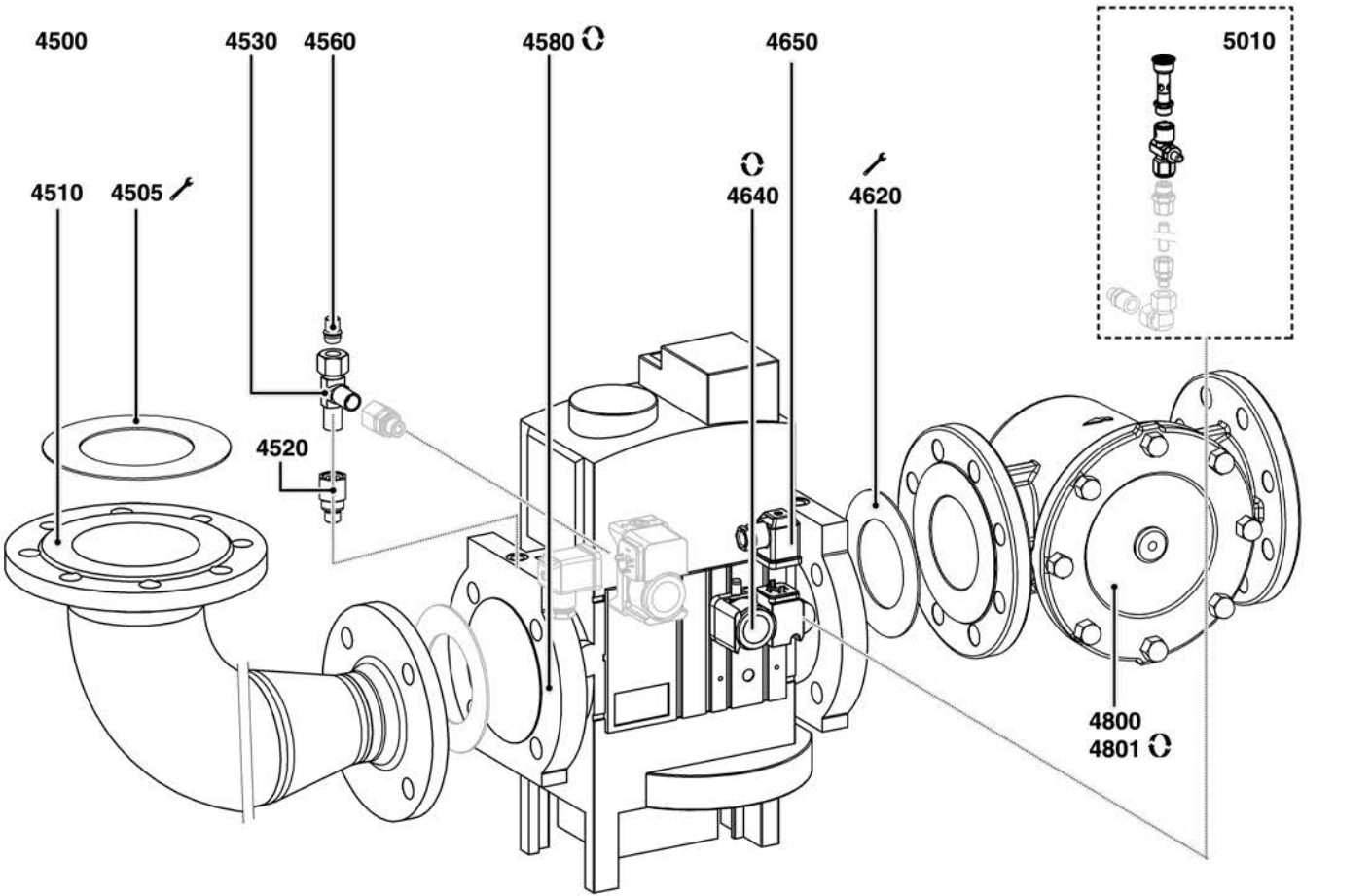
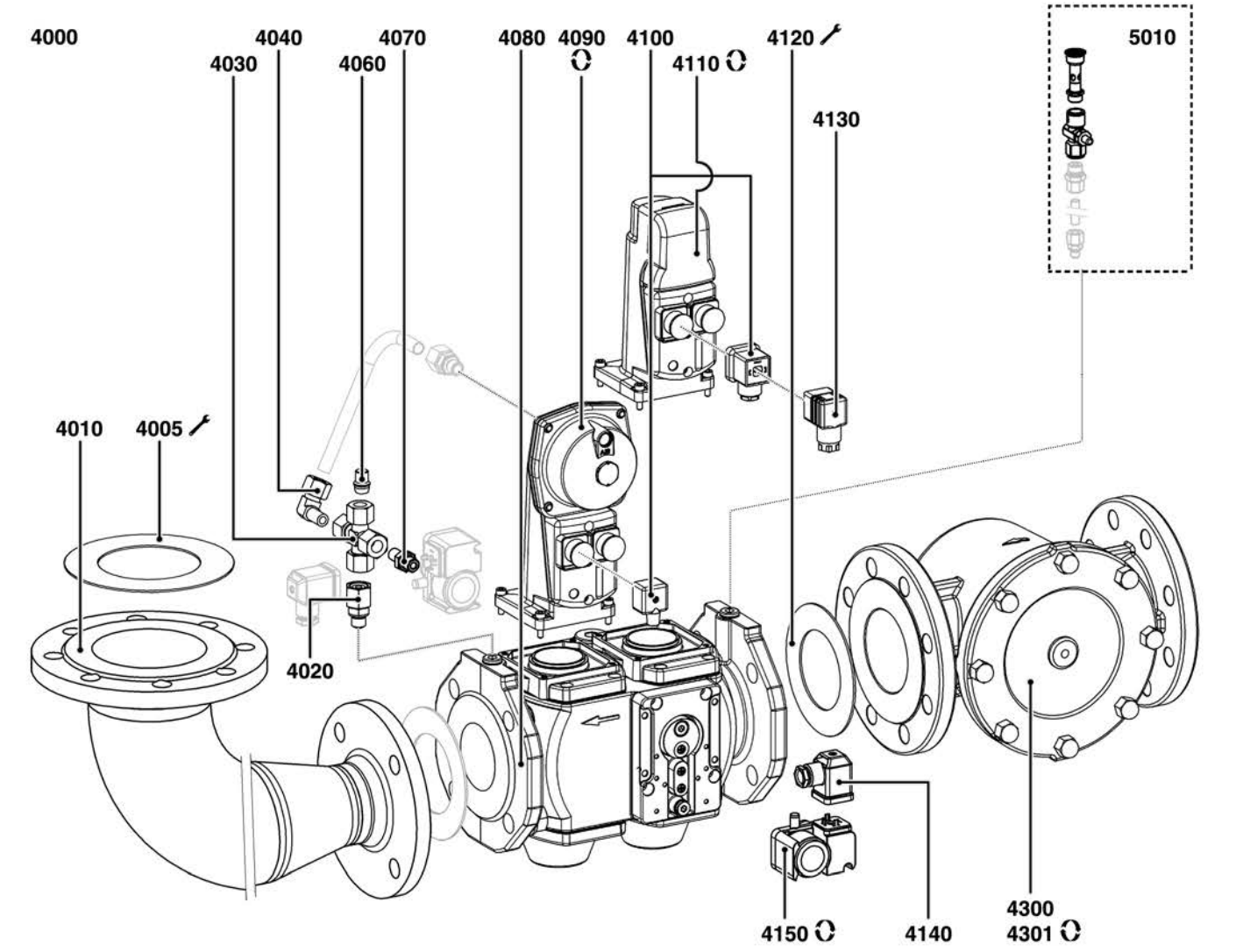


☉⇒	Description	Manf. Pt. N	Type	<div style="display: flex; justify-content: space-between; font-size: 8px; text-align: center;"> EKEVO 8/570 GL-EF39BT3MM EKEVO 8/570 GL-EF39BT3MM EKEVO 8/570 GL-EF39BT3MM EKEVO 8/890 GL-EF39BT3MM EKEVO 8/890 GL-EF39BT3MM EKEVO 8/890 GL-EF39BT3MM GT-4457-2 GT-4458-2 GT-4459-25 GT-4459-30 GT-4459-100 GT-4461-100 GT-4461-125 GT-4468-85 GT-4469-80 GT-4469-100 </div>																		From	to
				1	2	3	4	5	6	7	8	9	10	11	12	13	14	15	16	17	18		
2500	HYDRAULICS																						
2510	MOTOR 3KW 230/400V D28 1400 TR/MN GMP	65311407		●	●	●	●	●	●														
2520	OIL PRESS.SWITCH DSB 158 F931 3-25BAR	65312206		●	●	●	●	●	●														
2525	CONNECTOR GDMW 30-11 DF	65311615		●	●	●	●	●	●														
2526	GASKET GDM 3-21	65311616		●	●	●	●	●	●														
2550	ACTUATOR STE4,5 Q3.51/6 3NM R (BT3XX)	65311650		●	●	●	●	●	●														
2555	SPACER M6/M8X42 SW15	65311831		●	●	●	●	●	●														
2560	T-UNION P-TV18/18/10L	65312938		●	●	●	●	●	●														
2561	ADJUSTABLE MALE T-CONNECTOR P-ELV18L-SV	65313847		●	●	●	●	●	●														
2562	ADJUSTABLE MALE T-CONNECTOR P-ELV18L-SV	65313847		●	●	●	●	●	●														
2570	COUPLING D10/D8X38-90	65312935		●	●	●	●	●	●														
2580	PLATE ACTUATOR STE	65311412		●	●	●	●	●	●														
2600	ACTUATOR GR.HYD-BLOCK N8/9&EKEVO8/9E BT	65312284		●	●	●	●	●	●														
2610	STRAINER R3/4 INCH OVENTROP	65311578		●	●	●	●	●	●														
2700	OIL PUMP VBHRG I 410 SO 1700L/H	65311410		●	●	●	●	●	●														
2705	SOLEN. VALVE LUC 321F2523 P8 PG11 19W	13022666		●	●	●	●	●	●														
2710	SOLEN. VALVE LUC 121F2523 P8 PG11 19W	13022667		●	●	●	●	●	●														
2750	OIL HOSE M30X1,5 DN20 L=1500	13019342		●	●	●	●	●	●														
2800	CONTROL SHAFT 8.0 LEFT HAND.	65312305		●	●	●	●	●	●														
2810	PUMP INSTALL. SMG1630-I-4-SO-IE2 30BAR	65311406		●	●	●	●	●	●														

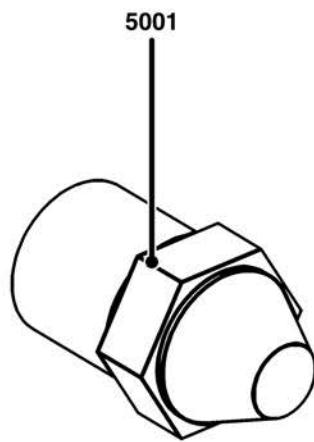
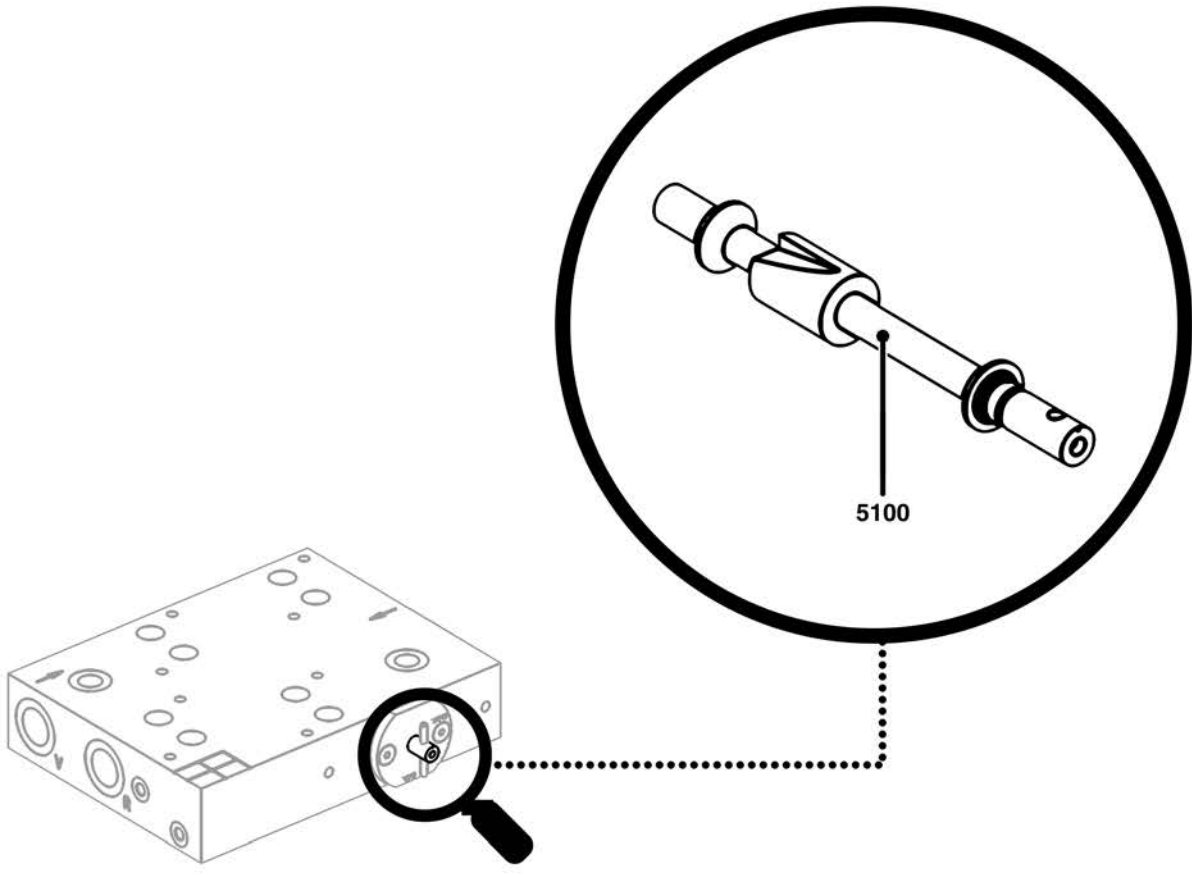
CB-EKEVO8/9 GL-EF3

Dual-Fuel burner





Description	Manf. Pt N	Type	<div style="display: flex; justify-content: space-between; font-size: 8px; font-weight: bold;"> EKEVO 8/570 GL-EF30T3MN EKEVO 8/570 GL-EF30T3MM EKEVO 8/570 GL-EF30T3MKL EKEVO 9/850 GL-EF30T3MN EKEVO 9/850 GL-EF30T3MM EKEVO 9/850 GL-EF30T3MKL GT-4457-2 GT-4458-2 GT-4459-25 GT-4459-80 GT-4459-100 GT-4461-100 GT-4461-125 GT-4468-85 GT-4469-80 GT-4480-100 </div>																		From	to
			1	2	3	4	5	6	7	8	9	10	11	12	13	14	15	16	17	18		
4000 GAS TRAIN																						
4005 GASKET/GASTRAIN D162/115X2 DN100	65311613								•	•	•	•										
4010 GAS CONNECTION TUBE DN100/DN100	65311676										•											
GAS CONNECTION TUBE DN100/DN125	65311677											•										
GAS CONNECTION TUBE DN100/DN65	65311674								•													
GAS CONNECTION TUBE DN100/DN80	65311675									•												
4020 STRAIGHT UNION P-EGES 12L/R 1/4WD	65311601								•	•	•	•										
4030 UNION ELBOW P-EWV12L-SV	65311608								•	•	•	•										
4040 UNION P-KV12L	65311605								•	•	•	•										
4060 ENDPLUG VSD 12L/S O.M.MB.	65311607								•	•	•	•										
4070 STRAIGHT UNION P-EGES 12L/R 1/4WD	65311601								•	•	•	•										
4080 GAS VALVE VGD40 065 DN65	65323661								•													
GAS VALVE VGD40 080 DN80	65311583									•												
GAS VALVE VGD40 100 DN100	65311590										•											
GAS VALVE VGD40 125 DN125	65311453											•										
4090 GAS ACTUATOR SKP25.003E2 W.O.END SWITCH	65107100								•	•	•	•										
4100 CABLE CONNECT AGA 62 PLUG DIN L270	65311585								•	•	•	•										
4110 GAS ACTUATOR SKP15.000E2 W/O END SWITCH	1478836180								•	•	•	•										
4120 GASKET/GASTRAIN D127/77X2 DN65	65311611								•													
GASKET/GASTRAIN D142/90X2 DN80	65311612									•												
GASKET/GASTRAIN D162/115X2 DN100	65311613										•											
GASKET/GASTRAIN D192/141X2 DN125	65311614											•										
4130 FEMALE CONNECTOR AGA64	65311586								•	•	•	•										
4140 CONNECTOR GDMW 30-11 DF	65311615								•	•	•	•										
4150 GAS PRESS.SWITCH GW 150 A6 10-150MB	65323022	OPTION							•	•	•	•										
GAS PRESS.SWITCH GW 500 A5 30-500MB	65310852	30-500mb							•	•	•	•										
4300 GAS FILTER GF100MF-3232-A-1 DN100 1BAR	65311462										•											
GAS FILTER GF125MF-4040-A-1 DN125 1BAR	65311463											•										
GAS FILTER GF65MF-2020-A-1 DN65 1BAR	65311460								•													
GAS FILTER GF80MF-2424-A-1 DN80 1BAR	65311461									•												
4301 STRAINER ELEMENT GF100MF	65311889										•											
STRAINER ELEMENT GF125MF	65311890											•										
STRAINER ELEMENT GF65MF	65311723								•													
STRAINER ELEMENT GF80MF	65311888									•												
4500 GAS TRAIN																						
4505 GASKET/GASTRAIN D162/115X2 DN100	65311613											•	•	•								
4510 GAS CONNECTION TUBE DN100/DN100	65311676												•									
GAS CONNECTION TUBE DN100/DN65	65311674											•										
GAS CONNECTION TUBE DN100/DN80	65311675												•									
4520 STRAIGHT UNION P-EGES 12L/R 1/4WD	65311601											•	•	•								
4530 T-UNION P-TV 12 L	65311344											•	•	•								
4560 ENDPLUG VSD 12L/S O.M.MB.	65311607											•	•	•								
4580 GAS VALVE MBC1900 SE DN65 40-80MBAR	65311844											•										
GAS VALVE MBC3100 SE DN80 40-80 MBAR	65311845												•									
GAS VALVE MBC5000 SE DN100 40-80 MBAR	65311846													•								
4620 GASKET/GASTRAIN D127/77X2 DN65	65311611											•										
GASKET/GASTRAIN D142/90X2 DN80	65311612												•									
GASKET/GASTRAIN D162/115X2 DN100	65311613													•								
4640 GAS PRESS.SWITCH GW 150 A6 10-150MB	65323022	OPTION										•	•	•								
GAS PRESS.SWITCH GW 500 A5 30-500MB	65310852	30-500mb										•	•	•								
CONNECTOR GDMW 30-11 DF	65311615											•	•	•								
4800 GAS FILTER GF100MF-3232-A-1 DN100 1BAR	65311462												•									
GAS FILTER GF65MF-2020-A-1 DN65 1BAR	65311460											•										
GAS FILTER GF80MF-2424-A-1 DN80 1BAR	65311461												•									
4801 STRAINER ELEMENT GF100MF	65311889												•									
STRAINER ELEMENT GF65MF	65311723												•									
STRAINER ELEMENT GF80MF	65311888													•								
5000 ACCESSORY																						
5010 TRIAL BURNER WITH PUSH-BUTTON PB2	65311362								•	•	•	•	•	•	•							

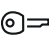

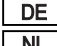
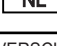
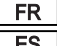
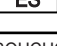
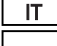
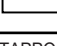



		DE NL	FR ES	IT	X
1040	65311968	ANSAUGTRICHTER D332X116 LUCHTINLAAT D332X116	RECYCLAGE AIR D332X116 ENTRADA DE AIRE D332X116	CONVOGLIATORE D332X116	1
	65311987	ANSAUGTRICHTER D298X131 LUCHTINLAAT D298X131	RECYCLAGE AIR D298X131 ENTRADA DE AIRE D298X131	CONVOGLIATORE D298X131	1
1050	1180603227	SCHAUGLAS F.MONOBL.KLAR D55X21 KLEURLOOS KIJKGLAS D55X21	VERRE DE REGARD D55x21 CLAIR MIRILLA INCOLORA D55X21	SPIONCINO INCOLORE D55X21	1
1060	1188052260	SCHAUGLASDECKEL Z.MONOBL.55X61 DEKSEL/KIJKGLAS D55X61	CACHE REGARD D55X61 TAPA/MIRILLA D55X61	COPERCHIO/SPIONCINO D55X61	1
1065	65312849	VERSTELLANZEIGE MIT SKALA EKEVO 8/9 AFSTELL-INDICATOR MET SCHAAL EKEVO 8/9	INDICATEUR DE POSITION GRADUE EKEVO 8/9 INDICADOR AJUST. CON ESCALA EKEVO 8/9	INDICATORE REGOLAZ. CON SCALA EKEVO 8/9	1
1070	1180559591	MUTTER SCHAUGLAS M48X1,5 SW60 MOER/KIJKGLAS M48X1,5 SW60	ECROU REGARD M48X1,5 SW60 TUERCA/MIRILLA M48X1,5 SW60	DADO/SPIONCINO M48X1,5 SW60	1
1075	65313875	WELLE / LUFTKLAPPE/ZEIGER D12X680 M8-M6 AS / LUCHTKLEP/WIJZER D12X680 M8-M6	AXE / VOLET AIR/INDEX D12X680 M8-M6 EJE / VALV.AIRE/PUNZON D12X680 M8-M6	PERNO / SERR.ARIA/INDICE D12X680 M8-M6	1
1076	65313877	WELLE / STELLANTRIEB/ZAHNRAD D12X679 AS / REGELMOTOR/TANDWIEL D12X679	AXE / SERVOMOTEUR/ENGRENAGE D12X679 EJE / SERVOMOTOR/ENGRANAJE D12X679	PERNO / SERVOMOTORE/INGRANAGGIO D12X679	1
1077	65313876	WELLE / LUFTKLAPPE/ZAHNRAD D12X671 AS / LUCHTKLEP/TANDWIEL D12X671	AXE / VOLET AIR/ENGRENAGE D12X671 EJE / VALV.AIRE/ENGRANAJE D12X671	PERNO / SERR.ARIA/INGRANAGGIO D12X671	1
1078	65313874	WELLE / LUFTKLAPPE/HEBEL D12X669 M8 AS / LUCHTKLEP/HEFBOOM D12X669 M8	AXE / VOLET AIR/LEVIER D12X669 M8 EJE / VALV.AIRE/PALANCA D12X669 M8	PERNO / SERR.ARIA/LEVA D12X669 M8	1
1079	65313873	HEBEL / LUFTKLAPPEWELLE 54X20 D10-D6 HEFBOOM / LUCHTKLEP AS 54X20 D10-D6	LEVIER / AXE VOLET 54X20 D10-D6 PALANCA / EJE VALV.AIRE 54X20 D10-D6	LEVA / PERNO SERRANDA 54X20 D10-D6	1
1080	65311969	VENTILATORRAD D618/316X61 D42 VENTILATORWIEL D575/334x89 D42	TURBINE D575/334x89 D42 TURBINA D575/334x89 D42	VENTOLA D575/334x89 D42	1
	65311970	VENTILATORRAD D618/316X61 D48 VENTILATORWIEL D618/316X61 D48	TURBINE D618/316X61 D48 TURBINA D618/316X61 D48	VENTOLA D618/316X61 D48	1
1090	65311471	ZUENDTRAF0 EBI 1X11 230V ONTSTEKINGSTRAFO EBI 1X11 230V	ALLUMEUR EBI 1X11 230V ENCENDEDOR EBI 1X11 230V	TRASFORMATORE ACCENSIONE EBI 1X11 230V	1
1091	1738733651	ZUENDTRAF0 ZA 20 140 E21 2005.0450.073 ONTSTEKINGSTRAFO ZM20/14 2X7 230V ED50	ALLUMEUR ZM20/14 2X7 230V ED50 ENCENDEDOR ZM20/14 2X7 230V ED50	TRASFO. ACC. ZM20/14 2X7 230V ED50	1
1094	65312242	HALTER F. FLAMMENFUEHLER FFS06 STEUN FOTOCEL FFS06/FFS08	SUPPORT POUR CELLULE FFS06/FFS08 SOPORTE CELULA FFS06/FFS08	SUPPORTO FOTOCELLULA FFS06/FFS08	1
1095	65312487	FOT0ZELLE FFS 08-T (IR) L5000 FOTOC0EL FFS 08-T (IR) L5000	CELLULE FFS 08-T (IR) L5000 FOTOC0ELULA FFS 08-T (IR) L5000	FOTOC0ELLULA FFS 08-T (IR) L5000	1
1100	65311472	SICHTSPIEGEL FÜR SCHAUGLAS SPIEGEL/KIJKGLAS	MIROIR/REGARD ESPEJO/MIRILLA	SPECCHIO/SPIONCINO	1
1110	65311595	DRUCKWAECHTER LGW 50 A2P 2,5-50MBAR LUCHTDRIKUSCHAKELAAR LGW 50 A2P 2,5-50MB	MANOSTAT AIR LGW 50 A2P 2,5-50MB PRESOSTATO AIRE LGW 50 A2P 2,5-50MB	PRESSOSTATO ARIA LGW 50 A2P 2,5-50MB	1
1120	65312855	GASKLAPPE+SCHRITTMOTOR BG GASKLEP+SERVOMOTOR EQ.	CLAPET GAZ+SERVOMOTEUR EQ. VALVULA DEL GAS+SERVOMOTOR EQ.	VALVOLA DEL GAS+SERVOMOTORE COMPL.	1
1121	65312853	GASKLAPPE RP4 STE4,5 3N-STM30+O'RING GASKLEP RP4 STE 4,5 3N-STM30+O'RING	CLAPET GAZ RP4 STE4,5 3N-STM30+O'RING VALVULA GAS.RP4 STE4,5 3N-STM30+O'RING	VALVOLA GAS RP4 STE4,5 3N-STM30+O'RING	1
1122	65323999	O-RING 8475D120,02X6,99 O-RING 8475D120,02X6,99	O-RING 8475D120,02X6,99 O-RING 8475D120,02X6,99	O-RING 8475D120,02X6,99	1
1150	65311650	STELLANTRIEB STE4,5 Q3.51/6 3NM R(BT3XX) SERVOMOTOR STE4,5 Q3.51/6 3NM R (BT3XX)	SERVOMOTEUR STE4,5 Q3.51/6 3NM R (BT3XX) SERVOMOTOR STE4,5 Q3.51/6 3NM R (BT3XX)	SERVOMOTORE STE4,5 Q3.51/6 3NM R (BT3XX)	1
1160	65311650	STELLANTRIEB STE4,5 Q3.51/6 3NM R(BT3XX) SERVOMOTOR STE4,5 Q3.51/6 3NM R (BT3XX)	SERVOMOTEUR STE4,5 Q3.51/6 3NM R (BT3XX) SERVOMOTOR STE4,5 Q3.51/6 3NM R (BT3XX)	SERVOMOTORE STE4,5 Q3.51/6 3NM R (BT3XX)	1
1170	65326334	MOTOR 15KW 400/690V D42 IE3 ELV SCHWARZ MOTOR 15KW 400/690V D42 IE3 ELV ZWART	MOTEUR 15KW 400/690V D42 IE3 ELV NOIR MOTOR 15KW 400/690V D42 IE3 ELV NEGRO	MOTORE 15KW 400/690V D42 IE3 ELV NERO	1
	65326336	MOTOR 22KW 400/690V D48 IE3 ELV SCHWARZ MOTOR 22KW 400/690V D48 IE3 ELV ZWART	MOTEUR 22KW 400/690V D48 IE3 ELV NOIR MOTOR 22KW 400/690V D48 IE3 ELV NEGRO	MOTORE 22KW 400/690V D48 IE3 ELV NERO	1
1171	65311933	KABELVERSCHRAUBUNG M.RED. M32X1,5 SW PAKKINGBUS M32X1,5	PRESSE-ETOUPE M32X1,5 PRENSAESTOPAS M32X1,5	PREMISTOPPA M32X1,5	1
1200	65312856	LUFTKLAPPE BG EKEVO8/9 COMPLETE LUCHTKLEP EKEVO8/9	VOLET D'AIR EQUIPE EKEVO8/9 VÁLVULA DE AIRE EQUIPADA EKEVO8/9	SERRANDA DELL'ARIA EQUIP. EKEVO8/9	1
1400	65312848	ZAHNRAD Z=100 M=1 BO=12MM EKEVO8/9 TANDWIEL Z=100 M=1 BO=12MM EKEVO8/9	ROUE DENTEE Z=100 M=1 BO=12MM EKEVO8/9 RUEDA DENTADA Z=100 M=1 BO=12MM EKEVO8/9	RUOTA DENTATA Z=100 M=1 BO=12MM EKEVO8/9	1
1510	65312340	BRENNERSCHRANKHAUBE KAP ELEKTRISCHE KAST	CAPOT ARMOIRE ELEC. CUBIERTA ARMARIO ELÉCTRICO	COPERCHIO ARMADIO ELETTRICO	1
1512	65312338	BLINDDECKEL/REGLER 92X45 IP54 AFSLUITER/REGELAAR 92X45 IP54	OBTURATEUR REGULATEUR 92X45 IP54 CONJUNTO/REGULADOR 92X45 IP54	OTTURATORE/REGOLATORE 92X45 IP54	1
1520	65326869	ANZEIGE FUR FEUERUNGSAUTOMAT BT3XX DISPLAY VOOR BRANDERAUTOMAAT BT3XX	AFFICHEUR POUR COFFRET BT3XX PANTALLA PARA PROGRAMADOR BT3XX	DISPLAY PER APPARECCHIATURA BT3XX	1
1525	65311364	DICHTUNG/ANZEIGE 152/140X80/70X2 PAKKING/DISPLAY 152/140X80/70X2	JOINT/AFFICHEUR 152/140X80/70X2 JUNTA/PANTALLA 152/140X80/70X2	GUARNIZIONE/DISPLAY 152/140X80/70X2	1
1530	65312447	FEUERUNGSAUT. BT340 BASIS EINSTELL. BRANDERAUT. BT340 BASIS AFSTELLING	COFFRET BT340 REGLAGE DE BASE PROGRAMADOR BT340 CONFIGUR. BÁSICA	APPARECCH. BT340 REGUL. BASE	1
1540	65311791	DFM300 (LSB-M 667R0600-1) DFM300-MODULE (LSB-M 667R0600-1)	MODULE DFM300 (LSB-M 667R0600-1) MÓDULO DFM300 (LSB-M 667R0600-1)	MODULO DFM300 (LSB-M 667R0600-1)	1
1550	65311790	LCM100 (LSB-M 667R0500-1) LCM100-MODULE (LSB-M 667R0500-1)	MODULE LCM100 (LSB-M 667R0500-1) MÓDULO LCM100 (LSB-M 667R0500-1)	MODULO LCM100 (LSB-M 667R0500-1)	1

		<table border="1"><tr><td>DE</td></tr><tr><td>NL</td></tr></table>	DE	NL	<table border="1"><tr><td>FR</td></tr><tr><td>ES</td></tr></table>	FR	ES	<table border="1"><tr><td>IT</td></tr><tr><td></td></tr></table>	IT		
DE											
NL											
FR											
ES											
IT											
1555	65311789	ADAPTER BT300/DFM300 RAST5 ADAPTER BT300/DFM300 RAST5	ADAPTATEUR BT300/DFM300 RAST5 ADAPTADOR BT300/DFM300 RAST5	ADATTATORE BT300/DFM300 RAST5	1						
1556	65313849	SICHERUNGSHALTER+ SICHERUNG 6,3A(KERAM.) ZEKERINGHOUDER+ZEKERING 6,3A (CERAMIC)	PORTE FUSIBLE+FUSIBLE 6.3A (CERAMIQUE) PORTA FUSIBLE+FUSIBLE 6.3A (CERAMIC)	PORTAFUSIBILE + FUSIBILE 6.3A (CERAMIC)	1						
1557	65313850	SICHERUNG 6,3A(KERAM.) ZEKERING 6,3A (CERAMIC)	FUSIBLE 6.3A (CERAMIQUE) FUSIBLE 6.3A (CERAMIC)	FUSIBILE 6.3A (CERAMIC)	1						
1580	65311793	MOTORSCHUETZ SCH D 3-4KW LC1D09P7 CONTACT MOTOR SCH D 3-4kW LC1D09P7	CONTACTEUR MOTEUR SCH D 3-4kW LC1D09P7 CONTACTOR DE MOTOR SCH D 3-4kW LC1D09P7	CONTATTORE MOTORE SCH D 3-4kW LC1D09P7	1						
1581	65311794	MOTORSCHUTZSCHALTER 3-4KW GV2ME14 VERMOGENSCHAKEL. MOTOR 3-4KW GV2ME14	DISJONCTEUR MOTEUR 3-4KW GV2ME14 INTERRUPTOR MOTOR 3-4KW GV2ME14	INTERRUPTORE MOTORE 3-4KW GV2ME14	1						
1585	65311795	HILFSSCHALTER GVAE11 HULPSCHAKELAAR GVAE11	CONTACT AUXILIAIRE GVAE11 INTERRUPTOR AUXILIAR GVAE11	INTERRUPTORE AUSILIARIO GVAE11	1						
1595	65311796	MOTORSTARTER Y/D 18KW LC3D18AP7 MOTOR STARTER Y/D 18KW LC3D18AP7	DEMARREUR MOT. ET./TRI. 18KW LC3D18P7 ARRANQUE MOTOR Y/D 18KW LC3D18AP7	AVVIATORE STELLA/TRIA. 18KW LC3D18P7	1						
	65311797	MOTORSTARTER Y/D 22KW LC3D32AP7 MOTOR STARTER Y/D 22KW LC3D32AP7	DEMARREUR MOT. ET./TRI. 22KW LC3D32P7 ARRANQUE MOTOR Y/D 22KW LC3D32AP7	AVVIATORE STELLA/TRIA. 22KW LC3D32AP7	1						
1597	65311798	MOTORSCHUTZSCHALTER 15KW GV2ME32 VERMOGENSCHAKEL. MOTOR 15KW GV2ME32	DISJONCTEUR MOTEUR 15KW GV2ME32 INTERRUPTOR MOTOR 15KW GV2ME32	INTERRUPTORE MOTORE 15KW GV2ME32	1						
	65311917	MOTORSCHUTZSCHALTER 22KW GV3P50 VERMOGENSCHAKEL. MOTOR 22KW GV3P50	DISJONCTEUR MOTEUR 22KW GV3P50 INTERRUPTOR MOTOR 22KW GV3P50	INTERRUPTORE MOTORE 22KW GV3P50	1						
1600	65312334	BRENNERSCHRANK KONTROLLEUCHE CONTROLELAMPJE ELEKTRISCHE KAST	VOYANT ARMOIRE ELECTRIQUE TESTIGO ARMARIO ELÉCTRICO	SPIA ARMADIO ELETTRICO	1						
1601	65312335	2-STELL. KIPPSCHALTER SCHAKELAAR 2 POS.	INTERRUPTEUR 2 POS. INTERRUPTOR 2 POS.	INTERRUPTORE 2 POS.	1						
1604	65313828	3-STELL. DRUCKSCHALTER MOMENTANE SCHAKELAAR 3 POS.	INTERRUPTEUR 3 POS. INSTANTANE INTERRUPTOR DE ACCIÓN INSTANTÁN. 3 POS.	INTERRUPTORE 3 POS. INSTANTANEA	1						
1610	65311451	KABELVERSCHRAUBUNG M16 PAKKINGBUS M16	PRESSE-ETOUPE M16 PRENSAESTOPAS M16	PREMISTOPPA M16	1						
1611	65311758	KABELVERSCHRAUBUNG M20 PAKKINGBUS M20	PRESSE-ETOUPE M20 PRENSAESTOPAS M20	PREMISTOPPA M20	1						
1612	65312852	KABELVERSCHRAUBUNG CLICK M25 PAKKINGBUS CLICK M25	PRESSE-ETOUPE CLICK M25 PRENSAESTOPAS CLICK M25	PREMISTOPPA CLICK M25	1						
1696	65312275	KONSOLE LAM F152 659G0501 CONSOLE LAM F152 659G0501	CONSOLE LAM F152 659G0501 CONSOLA LAM F152 659G0501	CONSOLLE LAM F152 659G0501	1						
1699	65312244	KABEL ANSCHLUSS BT300/LCM100 667P0515 KABEL ANSCHLUSS BT300/LCM100 667P0515	CABLE LIAISON BT300/LCM100 667P0515 CABLE DE CONEXION BT300/LCM100 667P0515	CAVO COLLEGA BT300/LCM100 667P0515	1						
1700	65311446	WAG BETAETIGUNGSWERKZEUG 2009-309 BEDIENUNGSGEREEDSCHAP WAG 2009-309	OUTIL DE MANOEUVRE WAG 2009-309 HERRAMIENTA D.ACCIONAM. WAG 2009-309	DISPOSITIVO DI MANOVRA WAG 2009-309	1						
2020	65311415	FLAMMENROHR D369 L583 F3 BRANDERBUIJS D369/300 L583 F3	TUBE DE FLAMME D369/300 L583 F3 TUBO DE LLAMA D369/300 L583 F3	BOCCAGLIO D369/300 L583 F3	1						
	65311416	FLAMMENROHR D369 L723 F3 BRANDERBUIJS D369/300 L723 F3	TUBE DE FLAMME D369/300 L723 F3 TUBO DE LLAMA D369/300 L723 F3	BOCCAGLIO D369/300 L723 F3	1						
	65311417	FLAMMENROHR D369 L863 F3 BRANDERBUIJS D369/300 L863 F3	TUBE DE FLAMME D369/300 L863 F3 TUBO DE LLAMA D369/300 L863 F3	BOCCAGLIO D369/300 L863 F3	1						
	65311418	FLAMMENROHR D431/369 L598 BRANDERBUIJS D431,5/369/300 L598 F3	TUBE DE FLAMME D431,5/369/300 L598 F3 TUBO DE LLAMA D431,5/369/300 L598 F3	BOCCAGLIO D431,5/369/300 L598 F3	1						
	65311419	FLAMMENROHR D431/369 L748 BRANDERBUIJS D431,5/369/300 L748 F3	TUBE DE FLAMME D431,5/369/300 L748 F3 TUBO DE LLAMA D431,5/369/300 L748 F3	BOCCAGLIO D431,5/369/300 L748 F3	1						
	65311420	FLAMMENROHR D431/369 L898 BRANDERBUIJS D431,5/369/300 L898 F3	TUBE DE FLAMME D431,5/369/300 L898 F3 TUBO DE LLAMA D431,5/369/300 L898 F3	BOCCAGLIO D431,5/369/300 L898 F3	1						
2110	65311422	DRALLKOERPER D230/210/121X325 10SL WERVELKRANS D230/210/121X325 10SL	TURBULATEUR D230/210/121X325 10SL TURBULENCIADOR D230/210/121X325 10SL	TURBULATORE D230/210/121X325 10SL	1						
2115	65311421	LUFTSTROMFUEHRUNG LUCHTGELEIDING	GUIDE AIR GUIA DEL AIRE	GUIDA D'ARIA	1						
2120	1450621490	DUESE DZ1000 550KG 60° M14 1-5 SPROEIER DZ1000 550KG 60° M14 1-5	GICLEUR DZ1000 550KG 60° M14 1-5 BOQUILLA DZ1000 550KG 60° M14 1-5	UGELLO DZ1000 550KG 60° M14 1-5	1						
	1450621503	DUESE DZ1000 600KG 60° M14 1-5 SPROEIER DZ1000 600KG 60° M14 1-5	GICLEUR DZ1000 600KG 60° M14 1-5 BOQUILLA DZ1000 600KG 60° M14 1-5	UGELLO DZ1000 600KG 60° M14 1-5	1						
2130	65311423	GASDUESE D28/22 L100 140° GAS NOZZLE D28/22 L100 140°	DIFFUSEUR GAZ D28/22 L100 140° DIFUSOR GAS D28/22 L100 140°	INIETTORE GAS D28/22 L100 140°	1						
2140	65311424	GASDUESE S D25/19 GAS NOZZLE S D25/19	DIFFUSEUR GAZ S D25/19 DIFUSOR GAS S D25/19	INIETTORE GAS S D25/19	1						
2190	65311425	ZUENDELEKTRODE GEB. N8/9 GL-EF3 OEL ONTSTEKINGSPEN D9X50 D3X101 130°L150 d4	ELECT.ALLUM. D9X50 D3X101 130° L 150 d4 ELECTRODO ENC. D9X50 D3X101 130°L150 d4	ELETTRODO ACC.D9X50 D3X101 130° L 150 d4	1						
2200	65312214	ZÜNDKABEL L250 AP ONTSTEKINGSKABEL L250 AP	CABLE ALLUMAGE L250 AP CABLE ENCENDIDO L250 AP	CAVO ACCENSIONE L250 AP	1						
2201	65310724	ZÜNDKABEL D4/SAT 72750 ONTSTEKINGSKABEL D4/SAT 72750	CABLE ALLUMAGE D4/SAT 72750 CABLE ENCENDIDO D4/SAT 72750	CAVO ACCENSIONE D4/SAT 72750	1						
2230	65311426	ZUENDELEKTRODE GEB. N8/9 GL-EF3 GAS ONTSTEKINGSPEN D9X50 D3X30 90+50°L150 d4	ELECT.ALLUM. D9X50 D3X30 90+50° L 150 d4 ELECTRODO ENC. D9X50 D3X30 90+50°L150 d4	ELETTRODO ACC.D9X50 D3X30 90+50° L150 d4	1						
2250	65311807	O-RING 217D142,88X5,33 NBR O-RING 217D142,88X5,33 NBR	O-RING 217D142,88X5,33 NBR O-RING 217D142,88X5,33 NBR	O-RING 217D142,88X5,33 NBR	1						

		DE NL	FR ES	IT	X
2260	65311713	DICHTUNG/OVAL FLANSCH 210X160X2 D116 PAKKING/OVAL FLENS 210X160X2 D116	JOINT/BRIDE OVALE 210X160X2 D116 JUNTA/OVAL BRIDA 210X160X2 D116	GUARNIZIONE/OVAL FLANGIA 210X160X2 D116	1
2300	65313902	ADAPTERPLATTE FÜR GASKOPF ADAPTERPLAAT/GAS VERSTUIVEREENHEID	PLAQUE ADAPTATION/TETE GAZ PLACA DE ADAPTACIÓN/DIFUSOR DE GAS	PIASTRA DI ADATTAMENTO/TESTA GAS	1
2350	65311427	SCHUBSTANGE GLEITKOPF KM REGELSTANG GLIJDENDE HOOFD KM	TIGE DE REGLAGE COULISSAGE TETE KM VARILLA DE AJUSTE CABEZA MÓVIL KM	ASTA DI REGOLAZIONE SCIVOLO TESTA KM	1
	65311428	SCHUBSTANGE GLEITKOPF KL REGELSTANG GLIJDENDE HOOFD KL	TIGE DE REGLAGE COULISSAGE TETE KL VARILLA DE AJUSTE CABEZA MÓVIL KL	ASTA DI REGOLAZIONE SCIVOLO TESTA KL	1
	65311429	SCHUBSTANGE GLEITKOPF KM REGELSTANG GLIJDENDE HOOFD KM	TIGE DE REGLAGE COULISSAGE TETE KM VARILLA DE AJUSTE CABEZA MÓVIL KM	ASTA DI REGOLAZIONE SCIVOLO TESTA KM	1
	65311430	SCHUBSTANGE GLEITKOPF KL REGELSTANG GLIJDENDE HOOFD KL	TIGE DE REGLAGE COULISSAGE TETE KL VARILLA DE AJUSTE CABEZA MÓVIL KL	ASTA DI REGOLAZIONE SCIVOLO TESTA KL	1
	65311808	SCHUBSTANGE GLEITKOPF KN REGELSTANG GLIJDENDE HOOFD KN	TIGE DE REGLAGE COULISSAGE TETE KN VARILLA DE AJUSTE CABEZA MÓVIL KN	ASTA DI REGOLAZIONE SCIVOLO TESTA KN	1
2360	65311812	DICHTKAPPE GASROHR RING	BAGUE ANILLO	ANELLO	1
2370	65311813	SCHIEBEBUCHSE VERSTELLANZEIGER INSTELLING GIDS	GUIDE DE REGLAGE GUÍA DE CONFIGURACIÓN	GUIDA DI REGLAGGIO	1
2380	65310280	D-STANGE RDG1250 L860 SPROEIERLIJNE RDG1250 L860	LIGNE GICLEUR RDG1250 L860 LÍNEA DE BOQUILLA RDG1250 L860	LINEA UGELLO RDG1250 L860	1
	65311431	D-STANGE RDG1250 L1060 SPROEIERLIJNE RDG1250 L1060	LIGNE GICLEUR RDG1250 L1060 LÍNEA DE BOQUILLA RDG1250 L1060	LINEA UGELLO RDG1250 L1060	1
	65311432	D-STANGE RDG1250 L1160 SPROEIERLIJNE RDG1250 L1160	LIGNE GICLEUR RDG1250 L1160 LÍNEA DE BOQUILLA RDG1250 L1160	LINEA UGELLO RDG1250 L1160	1
2385	65311714	WINKELGELENKSTANGE CS10X200 DRIJFSTANG CS10X200	TIGE DE LIAISON CS10X200 VARILLA DE CONEXIÓN CS10X200	ASTA DI COLLEGAMENTO CS10X200	1
2386	65311433	WINKELGELENKSTANGE CS10X325 DRIJFSTANG CS10X325	TIGE DE LIAISON CS10X325 VARILLA DE CONEXIÓN CS10X325	ASTA DI COLLEGAMENTO CS10X325	1
2390	65311819	DISTANZBOLZEN SW 13X30 M6 AFSTANDHOUDER SW 13X30 M6	ENTRETOISE SW 13X30 M6 DISTANCIADOR SW 13X30 M6	DISTANZIATORE SW 13X30 M6	1
2395	65311820	DISTANZBOLZEN SW 13X85 2XM6 AFSTANDHOUDER SW 13X85 2XM6	ENTRETOISE SW 13X85 2XM6 DISTANCIADOR SW 13X85 2XM6	DISTANZIATORE SW 13X85 2XM6	1
2400	65311434	UEBERTRAGUNGSEBEL KOPPELING REGELMOTOR	ACCOUPLMENT SERVOMOTEUR ACOPLAMIENTO SERVOMOTOR	GIUNTO SERVOMOTORE	1
2450	65311833	STELLANTRIEB STM 40 Q15.51/8 2NR REGELMOTOR STM 40 Q15.51/8 2NR	SERVOMOTEUR STM 40 Q15.51/8 2NR SERVOMOTOR STM 40 Q15.51/8 2NR	SERVOMOTORE STM 40 Q15.51/8 2NR	1
2490	65311435	OELSCHLAUCH DN16 L500 OLIESLANG DN16 L500	FLEXIBLE DN16 L500 LATIGUILLO DN16 L500	TUBO FLESSIBILE DN16 L500	1
2510	65311407	MOTOR 3KW 230/400V D28 1400 TR/MN GMP MOTOR 3KW 230/400V D28 1400 TR/MN GMP	MOTEUR 3KW 230/400V D28 1400 TR/MN GMP MOTOR 3KW 230/400V D28 1400 TR/MN GMP	MOTORE 3KW 230/400V D28 1400 TR/MN GMP	1
2520	65312206	DRUCKWAECHTER DSB158 F931, 3-25BAR, IP65 OLIEDRUKSCHAKELAAR DSB 158 F931 3-25BAR	MANOSTAT FIOUL DSB 158 F931 3-25BAR PRESOSTATO GASOLEO DSB 158 F931 3-25BAR	PRESSOSTATO GASOLIO DSB 158 F931 3-25BAR	1
2525	65311615	GERAETESTECKDOSE GDMW 30-11 DF STEKKER GDMW 30-11 DF	PRISE GDMW 30-11 DF TOMA GDMW 30-11 DF	PRESA GDMW 30-11 DF	1
2526	65311616	DICHTUNG GDM 3-21 PAKKING GDM 3-21	JOINT GDM 3-21 JUNTA GDM 3-21	GUARNIZIONE GDM 3-21	1
2550	65311650	STELLANTRIEB STE4,5 Q3.51/6 3NM R (BT3XX) SERVOMOTOR STE4,5 Q3.51/6 3NM R (BT3XX)	SERVOMOTEUR STE4,5 Q3.51/6 3NM R (BT3XX) SERVOMOTOR STE4,5 Q3.51/6 3NM R (BT3XX)	SERVOMOTORE STE4,5 Q3.51/6 3NM R (BT3XX)	1
2555	65311831	DISTANZBOLZEN M6/M8X42 SW15 AFSTANDHOUDER M6 /M8 X 42 SW15	ENTRETOISE M6/M8X42 SW15 DISTANCIADOR M6/M8X42 SW15	DISTANZIATORE M6/M8X42 SW15	1
2560	65312938	T-WINKELANSCHLUSS P-TV18/18/10L T-AANSLUITING P-TV18/18/10L	RACCORD EN T P-TV18/18/10L RACOR EN T P-TV18/18/10L	RACCORDO A T P-TV18/18/10L	1
2561	65313847	T-WINKELANSCHLUSS P-ELV18L-SV T-AANSLUITING P-ELV18L-SV	RACCORD EN T P-ELV18L-SV RACOR EN T P-ELV18L-SV	RACCORDO A T P-ELV18L-SV	1
2562	65313847	T-WINKELANSCHLUSS P-ELV18L-SV T-AANSLUITING P-ELV18L-SV	RACCORD EN T P-ELV18L-SV RACOR EN T P-ELV18L-SV	RACCORDO A T P-ELV18L-SV	1
2570	65312935	KUPPLUNG D10/D8X38-90 KOPPELING D10/D8X38-90	ACCOUPLMENT D10/D8X38-90 ACOPLAMIENTO D10/D8X38-90	GIUNTO D10/D8X38-90	1
2580	65311412	BEFESTIGUNGSPLATTE HYDR.-BL.-STELL. STE BEVESTIGINGSPLAAT VAN DE SERVOMOTOR STE	PLATINE SERVOMOTEUR STE PLACA DEL SERVOMOTOR STE	PIASTRA SERVOMOTORE STE	1
2600	65312284	ANTRIEBS BG HYD-BLOCK N8/9&EKEVO8/9E BT HYDRAUL.BLOK AANDRIJF. N8/9&EKEVO8/9E BT	ENSEMBL.ENTR. BLOC HYD.N8/9&EKEVO8/9E BT CONJ.ACCION.UNID.HYDR. N8/9&EKEVO8/9E BT	GR.TRASMI.UNIT.IDRAUL. N8/9&EKEVO8/9E BT	1
2610	65311578	SCHMUTZFÄNGER R3/4Z OVENTROP FILTER R3/4 INCH OVENTROP	FILTRE R3/4 POUCE OVENTROP FILTRO R3/4 PULGADA OVENTROP	FILTRO R3/4 POLLICE OVENTROP	1
2700	65311410	OELPUMP VBHRG I 410 SO 1700L/H POMPE VBHRG I 410 SO 1700L/H	POMPE FIOUL VBHRG I 410 SO 1700L/H BOMBA VBHRG I 410 SO 1700L/H	POMPA VBHRG I 410 SO 1700L/H	1
2705	13022666	MAGNETVENTIL LUC 321F2523 P8 PG11 19W MAGNEETKLEP LUC 321F2523 P8 PG11 19W	ELECTROVANNE LUC 321F2523 P8 PG11 19W ELECTROVALVULA LUC 321F2523 P8 PG11 19W	ELETTROVALVOLA LUC 321F2523 P8 PG11 19W	1
2710	13022667	MAGNETVENTIL LUC 121F2523 P8 PG11 19W MAGNEETKLEP LUC 121F2523 P8 PG11 19W	ELECTROVANNE LUC 121F2523 P8 PG11 19W ELECTROVALVULA LUC 121F2523 P8 PG11 19W	ELETTROVALVOLA LUC 121F2523 P8 PG11 19W	1
2750	13019342	OELSCHLAUCH M30X1,5 DN20 L=1500 OLIESLANG M30X1,5 DN20 L=1500	FLEXIBLE M30X1,5 DN20 L=1500 LATIGUILLO M30X1,5 DN20 L=1500	FLESSIBILE M30X1,5 DN20 L=1500	1

		DE		FR		IT		
		NL		ES				
2800	65312305	REGELWELLE 8.0 LINKSVERS. REGELING AS 8.0 (CCW)		ARBRE DE REGULATION 8.0 (ROT. GAUCHE) ARBOL DE REGULACION 8.0 (ROT. IZQUIERDA)		ALBERO DI REGOLAZIONE 8.0 (ROT.SINISTRA)		1
2810	65311406	PUMPENAGGREGAT SMG1630-I-4-SO-IE2 30BAR POMPAGGREGAAT SMG1630-I-4-SO-IE2 30BAR		GPE MOTOPOMPE SMG1630-I-4-SO-IE2 30BAR GRUPO DE BOMBA SMG1630-I-4-SO-IE2 30BAR		GRUPPO MOTOPOMP.SMG1630-I-4-SO-IE2 30BAR		1
3005	65311613	DICHTUNG/GASSTRECKE D162/115X2 DN100 PAKKING/GASSTRAAT D162/115X2 DN100		JOINT/RAMPE GAZ D162/115X2 DN100 JUNTA/RAMPA DE GAS D162/115X2 DN100		GUARNIZIONE/RAMPA GAS D162/115X2 DN100		1
3010	65311678	GASANSCHLUSSSTÜCK DN100 / R2Z STANDARD GASAANSLUITBUIS DN100-R2Z 2G1/4 PN16		COLLECTEUR GAZ DN100 / R2" STD. COLECTOR DN100-R2Z 2G1/4 PN16		COLLETTORE GAS DN100 / R2" STD.		1
3020	65311606	GERADE-EINSCHRAUBVERSCHR.P-GEV 8LR-WD-VI RECHTE AANSLUITING P-GEV 8LR-WD-VI		RACCORD DROIT P-GEV 8LR-WD-VI RACOR RECTO P-GEV 8LR-WD-VI		RACCORDO DESTRO P-GEV 8LR-WD-VI		1
3030	65311604	EINSTELLB.W-VERSCHRAUBUNG P-EWV 8-L GEBOGEN AANSLUITING P-EWV 8-L		RACCORD COUDE P-EWV 8-L RACOR ACODADO P-EWV 8-L		RACCORDO A GOMITO P-EWV 8-L		1
3040	65311579	MESSNIPPEL R1/4Z M.DICHTUNG MEETNIPPEL R1/4Z+AFDICHTING		PRISE DE PRESSION R1/4Z+JOINT TOMA DE PRESIÓN R1/4Z+JUNTA		PRESA DI PRESSIONE R1/4Z+GUARNIZIONE		1
3060	65311581	GAS-MV VGD 20.5011 R2Z X 265 MM GASKLEP VGD20 5011 RP2"		VANNE GAZ VGD20 5011 RP2" VALVULA GAS VGD20 5011 RP2"		VALVOLA GAS VGD20 5011 RP2"		1
3070	65107100	STELLANTRIEB SKP25.003E2 O. ENDSCHALTER REGELMOT. GAS SKP25.003E2 Z.EINDSCHALTE		SERVOMOT. GAZ SKP25.003E2 S.FIN COURSE SERVOMOTOR SKP25.003 E2 SIN FIN CARRERA		SERVOMOT. GAS SKP25.003E2 S.FINE CORSA		1
3080	65311585	KABEL ANSCHLUSS AGA 62 STCK DIN L270 KABEL CONNECT AGA 62 STCK DIN L270		CABLE CONNECT AGA 62 PRISE DIN L270 CABLE DE CONEXION AGA 62 TOMA DIN L270		CAVO COLLEGA AGA 62 PRESA DIN L270		1
3090	1478836180	STELLANTRIEB SKP 15.000E2 O. ENDSCHALTER REGELMOTOR GAS SKP15.000E2 Z.EINDSCHALTE		SERVOMOT.GAZ SKP15.000E2 SANS FIN COURSE SERVOMO. GAS SKP15.000E2 SIN FIN CARRERA		SERVOMOT.GAS SKP15.000E2 SENZ.FINE CORSA		1
3110	65311377	FLANSCH AGF10.50 RP2 FLENS AGF10.50 RP2		BRIDE AGF10.50 RP2 BRIDA AGF10.50 RP2		FLANGIA AGF10.50 RP2		1
3120	65310852	DRUCKWAECHTER GW 500 A5 (30-500MBAR) GASDRUKSCHAKELAAR GW 500 A5 30-500MB		MANOSTAT GAZ GW 500 A5 30-500MB PRESOSTATO GAS GW 500 A5 30-500MB		PRESSOSTATO GAS GW 500 A5 30-500MB		1
	65323022	GASDRUCKWAECHTER GW 150 A6 5-50 MBAR GASDRUKSCHAKELAAR GW 150 A6 10-150MB		MANOSTAT GAZ GW 150 A6 10-150MB PRESOSTATO GAS GW 150 A6 10-150MB		PRESSOSTATO GAS GW 150 A6 10-150MB		1
3130	65311586	LEITUNGSDOSE VENTILANTRIEB AGA64 STEKKER VROUWELIJK AGA64		PRISE FEMELLE AGA64 TOMA HEMBRA AGA64		PRESA FEMMINA AGA64		1
3140	65311615	GERAETESTECKDOSE GDMW 30-11 DF STEKKER GDMW 30-11 DF		PRISE GDMW 30-11 DF TOMA GDMW 30-11 DF		PRESA GDMW 30-11 DF		1
3300	65311459	GASFILTER GF80M-1616-A-1 RP2 1BAR GASFILTER GF80M-1616-A-1 RP2 1BAR		FILTRE GAZ GF80M-1616-A-1 RP2 1BAR FILTRO GAS GF80M-1616-A-1 RP2 1BAR		FILTRO GAS GF80M-1616-A-1 RP2 1BAR		1
3301	65311361	ERSATZTEILSET F.GASFILTER GF 80M FILTERELEMENT GF 80M		ELEMENT FILTRANT GF 80M ELEMENTO FILTRANTE GF 80M		ELEMENTO FILTRANTE GF 80M		1
3505	65311613	DICHTUNG/GASSTRECKE D162/115X2 DN100 PAKKING/GASSTRAAT D162/115X2 DN100		JOINT/RAMPE GAZ D162/115X2 DN100 JUNTA/RAMPA DE GAS D162/115X2 DN100		GUARNIZIONE/RAMPA GAS D162/115X2 DN100		1
3510	65311973	GASANSCHLUSSSTUECK DN100 RP2Z GASAANSLUITBUIS DN100 / R2		TUBE CONNEXION GAZ DN100 / RP2" COLLECTOR DN100 / R2		TUBO CONNESSIONE GAS DN100 / Rp2"		1
3580	65311840	GASVENTIL MBC-1200-SE S82 RP2Z 5-80MBAR GASKLEP MBC1200 SE S82 RP2" 5-80 MBAR		VANNE GAZ MBC1200 SE S82 RP2" 5-80 MBAR VALVULA GAS MBC1200 SE S82 RP2" 5-80MBA		VALVOLA GAS MBC1200 SE S82 RP2" 5-80MBA		1
3620	65313022	FLANSCH ZU DMV-D R 2Z O.MESSNIPPEL FLENS MBC700/1200 RP2		BRIDE MBC700/1200 RP2 BRIDA MBC700/1200 RP2		FLANGIA MBC700/1200 RP2		1
3640	65310852	DRUCKWAECHTER GW 500 A5 (30-500MBAR) GASDRUKSCHAKELAAR GW 500 A5 30-500MB		MANOSTAT GAZ GW 500 A5 30-500MB PRESOSTATO GAS GW 500 A5 30-500MB		PRESSOSTATO GAS GW 500 A5 30-500MB		1
	65311598	DRUCKWAECHTER GW 150 A5 M. STECKERANSCHL GASDRUKSCHAKELAAR GW 150 A5 30-150MB		MANOSTAT GAZ GW 150 A5 30-150MB PRESOSTATO GAS GW 150 A5 30-150MB		PRESSOSTATO GAS GW 150 A5 30-150MB		1
3650	65311615	GERAETESTECKDOSE GDMW 30-11 DF STEKKER GDMW 30-11 DF		PRISE GDMW 30-11 DF TOMA GDMW 30-11 DF		PRESA GDMW 30-11 DF		1
3700	13022417	FILTEREINSATZ F.GASVENT.MBC-1200 ZEEFFILTER/GASKLEP MBC1200		FILTRE TAMIS/VANNE GAZ MBC1200 FILTRO DE TAMIZ/VÁLVULA DE GAS MBC1200		SET FILTRI/VALVOLA GAS MBC1200		1
3800	65311459	GASFILTER GF80M-1616-A-1 RP2 1BAR GASFILTER GF80M-1616-A-1 RP2 1BAR		FILTRE GAZ GF80M-1616-A-1 RP2 1BAR FILTRO GAS GF80M-1616-A-1 RP2 1BAR		FILTRO GAS GF80M-1616-A-1 RP2 1BAR		1
3801	65311361	ERSATZTEILSET F.GASFILTER GF 80M FILTERELEMENT GF 80M		ELEMENT FILTRANT GF 80M ELEMENTO FILTRANTE GF 80M		ELEMENTO FILTRANTE GF 80M		1
4005	65311613	DICHTUNG/GASSTRECKE D162/115X2 DN100 PAKKING/GASSTRAAT D162/115X2 DN100		JOINT/RAMPE GAZ D162/115X2 DN100 JUNTA/RAMPA DE GAS D162/115X2 DN100		GUARNIZIONE/RAMPA GAS D162/115X2 DN100		1
4010	65311674	GASANSCHLUSSSTÜCK DN100 / DN65 GASAANSLUITBUIS DN100/DN65		COLLECTEUR GAZ DN100/DN65 COLLECTOR DN100/DN65		COLLETTORE GAS DN100/DN65		1
	65311675	GASANSCHLUSSSTÜCK DN100 / DN80 GASAANSLUITBUIS DN100-DN80 PN16		COLLECTEUR GAZ DN100/DN80 COLECTOR DN100-DN80 PN16		COLLETTORE GAS DN100/DN80		1
	65311676	GASANSCHLUSSSTÜCK DN100 / DN100 GASAANSLUITBUIS DN100/DN100		COLLECTEUR GAZ DN100/DN100 COLLECTOR DN100/DN100		COLLETTORE GAS DN100/DN100		1
	65311677	GASANSCHLUSSSTÜCK DN100 / DN125 GASAANSLUITBUIS DN100/DN125		COLLECTEUR GAZ DN100/DN125 COLLECTOR DN100/DN125		COLLETTORE GAS DN100/DN125		1
4020	65311601	GERADE-EINSCHRAUBSTUT.P-EGES 12L/R 1/4WD RECHTE AANSLUITING P-EGES 12L/R 1/4WD		RACCORD DROIT P-EGES 12L/R 1/4WD RACOR RECTO P-EGES 12L/R 1/4WD		RACCORDO DESTRO P-EGES 12L/R 1/4WD		1
4030	65311608	EINSTELLB.WINKELVERSCHR.P-EWV12L-SV AANSLUITING (ELLEBOOG) P-EWV12L-SV		RACCORD COUDE P-EWV12L-SV RACOR (CODO) P-EWV12L-SV		RACCORDO CURVA P-EWV12L-SV		1
4040	65311605	KREUZVERSCHR.P-KV12L AANSLUITING P-KV12L		RACCORD P-KV12L RACOR P-KV12L		RACCORDO P-KV12L		1

		 	 	 	
4060	65311607	VERSCHLUSSTOPFEN VSD 12L/S O.M.MB. STOP VSD 12L/S O.M.MB.	BOUCHON VSD 12L/S O.M.MB. TAPÓN VSD 12L/S O.M.MB.	TAPPO VSD 12L/S O.M.MB.	1
4070	65311601	GERADE-EINSCHRAUBSTUT.P-EGES 12L/R 1/4WD RECHTE AANSLUITING P-EGES 12L/R 1/4WD	RACCORD DROIT P-EGES 12L/R 1/4WD RACOR RECTO P-EGES 12L/R 1/4WD	RACCORDO DESTRO P-EGES 12L/R 1/4WD	1
4080	65311453	GAS-MV VGD 40.125 DN125 PN16 X 400 MM GASKLEP VGD40 125 DN125	VANNE GAZ VGD40 125 DN125 VALVULA GAS VGD40 125 DN125	VALVOLA GAS VGD40 125 DN125	1
	65311583	GAS-MV VGD 40.080 DN80 X 310MM GASKLEP VGD40 080 DN80	VANNE GAZ VGD40 080 DN80 VALVULA GAS VGD40 080 DN80	VALVOLA GAS VGD40 080 DN80	1
	65311590	GAS-MV VGD 40.100 DN100 X 350 MM GASKLEP VGD40 100 DN100	VANNE GAZ VGD40 100 DN100 VALVULA GAS VGD40 100 DN100	VALVOLA GAS VGD40 100 DN100	1
	65323661	GAS-MV VGD 40.065 GASKLEP VGD40 065 DN65	VANNE GAZ VGD40 065 DN65 VALVULA GAS VGD40 065 DN65	VALVOLA GAS VGD40 065 DN65	1
4090	65107100	STELLANTRIEB SKP25.003E2 O. ENDSCHALTER REGELMOT. GAS SKP25.003E2 Z.EINDSCHALTE	SERVOMOT. GAZ SKP25.003E2 S.FIN COURSE SERVOMOTOR SKP25.003 E2 SIN FIN CARRERA	SERVOMOT. GAS SKP25.003E2 S.FINE CORSA	1
4100	65311585	KABEL ANSCHLUSS AGA 62 STCK DIN L270 KABEL CONNECT AGA 62 STCK DIN L270	CABLE CONNECT AGA 62 PRISE DIN L270 CABLE DE COEXION AGA 62 TOMA DIN L270	CAVO COLLEGA AGA 62 PRESA DIN L270	1
4110	1478836180	STELLANTRIEB SKP 15.000E2 O. ENDSCHALTER REGELMOTOR GAS SKP15.000E2 Z.EINDSCHALTE	SERVOMOT.GAZ SKP15.000E2 SANS FIN COURSE SERVOMO. GAS SKP15.000E2 SIN FIN CARRERA	SERVOMOT.GAS SKP15.000E2 SENZ.FINE CORSA	1
4120	65311611	DICHTUNG/GASSTRECKE D127/77X2 DN65 PAKKING/GASSTRAAT D127/77X2 DN65	JOINT/RAMPE GAZ D127/77X2 DN65 JUNTA/RAMPA DE GAS D127/77X2 DN65	GUARNIZIONE/RAMPA GAS D127/77X2 DN65	1
	65311612	DICHTUNG/GASSTRECKE D142/90X2 DN80 PAKKING/GASSTRAAT D142/90X2 DN80	JOINT/RAMPE GAZ D142/90X2 DN80 JUNTA/RAMPA DE GAS D142/90X2 DN80	GUARNIZIONE/RAMPA GAS D142/90X2 DN80	1
	65311613	DICHTUNG/GASSTRECKE D162/115X2 DN100 PAKKING/GASSTRAAT D162/115X2 DN100	JOINT/RAMPE GAZ D162/115X2 DN100 JUNTA/RAMPA DE GAS D162/115X2 DN100	GUARNIZIONE/RAMPA GAS D162/115X2 DN100	1
	65311614	DICHTUNG/GASSTRECKE D192/141X2 DN125 PAKKING/GASSTRAAT D192/141X2 DN125	JOINT/RAMPE GAZ D192/141X2 DN125 JUNTA/RAMPA DE GAS D192/141X2 DN125	GUARNIZIONE/RAMPA GAS D192/141X2 DN125	1
4130	65311586	LEITUNGSDOSE VENTILANTRIEB AGA64 STEKKER VROUWELIJK AGA64	PRISE FEMELLE AGA64 TOMA HEMBRA AGA64	PRESA FEMMINA AGA64	1
4140	65311615	GERAETESTECKDOSE GDMW 30-11 DF STEKKER GDMW 30-11 DF	PRISE GDMW 30-11 DF TOMA GDMW 30-11 DF	PRESA GDMW 30-11 DF	1
4150	65310852	DRUCKWAECHTER GW 500 A5 (30-500MBAR) GASDRUKSCHAKELAAR GW 500 A5 30-500MB	MANOSTAT GAZ GW 500 A5 30-500MB PRESOSTATO GAS GW 500 A5 30-500MB	PRESSOSTATO GAS GW 500 A5 30-500MB	1
	65323022	GASDRUCKWAECHTER GW 150 A6 5-50 MBAR GASDRUKSCHAKELAAR GW 150 A6 10-150MB	MANOSTAT GAZ GW 150 A6 10-150MB PRESOSTATO GAS GW 150 A6 10-150MB	PRESSOSTATO GAS GW 150 A6 10-150MB	1
4300	65311460	GASFILTER GF65MF-2020-A-1 DN65 1BAR GASFILTER GF65MF-2020-A-1 DN65 1BAR	FILTRE GAZ GF65MF-2020-A-1 DN65 1BAR FILTRO GAS GF65MF-2020-A-1 DN65 1BAR	FILTRO GAS GF65MF-2020-A-1 DN65 1BAR	1
	65311461	GASFILTER GF80MF-2424-A-1 DN80 1BAR GASFILTER GF80MF-2424-A-1 DN80 1BAR	FILTRE GAZ GF80MF-2424-A-1 DN80 1BAR FILTRO GAS GF80MF-2424-A-1 DN80 1BAR	FILTRO GAS GF80MF-2424-A-1 DN80 1BAR	1
	65311462	GASFILTER GF100MF-3232-A-1 DN100 1BAR GASFILTER GF100MF-3232-A-1 DN100 1BAR	FILTRE GAZ GF100MF-3232-A-1 DN100 1BAR FILTRO GAS GF100MF-3232-A-1 DN100 1BAR	FILTRO GAS GF100MF-3232-A-1 DN100 1BAR	1
	65311463	GASFILTER GF125MF-4040-A-1 DN125 1BAR GASFILTER GF125MF-4040-A-1 DN125 1BAR	FILTRE GAZ GF125MF-4040-A-1 DN125 1BAR FILTRO GAS GF125MF-4040-A-1 DN125 1BAR	FILTRO GAS GF125MF-4040-A-1 DN125 1BAR	1
4301	65311723	ERSATZTEILSET F.GASFILTER GF 65MF FILTERELEMENT GF65MF	ELEMENT FILTRANT GF65MF ELEMENTO FILTRANTE GF65MF	ELEMENTO FILTRANTE GF65MF	1
	65311888	ERSATZTEILSET F.GASFILTER GF 80MF FILTERELEMENT GF80MF	ELEMENT FILTRANT GF80MF ELEMENTO FILTRANTE GF80MF	ELEMENTO FILTRANTE GF80MF	1
	65311889	ERSATZTEILSET F.GASFILTER GF100MF FILTERELEMENT GF100MF	ELEMENT FILTRANT GF100MF ELEMENTO FILTRANTE GF100MF	ELEMENTO FILTRANTE GF100MF	1
	65311890	ERSATZTEILSET F.GASFILTER GF125MF FILTERELEMENT GF125MF	ELEMENT FILTRANT GF125MF ELEMENTO FILTRANTE GF125MF	ELEMENTO FILTRANTE GF125MF	1
4505	65311613	DICHTUNG/GASSTRECKE D162/115X2 DN100 PAKKING/GASSTRAAT D162/115X2 DN100	JOINT/RAMPE GAZ D162/115X2 DN100 JUNTA/RAMPA DE GAS D162/115X2 DN100	GUARNIZIONE/RAMPA GAS D162/115X2 DN100	1
4510	65311674	GASANSCHLUSSSTÜCK DN100 / DN65 GASAANSLUITBUIS DN100/DN65	COLLECTEUR GAZ DN100/DN65 COLLECTOR DN100/DN65	COLLETTORE GAS DN100/DN65	1
	65311675	GASANSCHLUSSSTÜCK DN100 / DN80 GASAANSLUITBUIS DN100-DN80 PN16	COLLECTEUR GAZ DN100/DN80 COLECTOR DN100-DN80 PN16	COLLETTORE GAS DN100/DN80	1
	65311676	GASANSCHLUSSSTÜCK DN100 / DN100 GASAANSLUITBUIS DN100/DN100	COLLECTEUR GAZ DN100/DN100 COLLECTOR DN100/DN100	COLLETTORE GAS DN100/DN100	1
4520	65311601	GERADE-EINSCHRAUBSTUT.P-EGES 12L/R 1/4WD RECHTE AANSLUITING P-EGES 12L/R 1/4WD	RACCORD DROIT P-EGES 12L/R 1/4WD RACOR RECTO P-EGES 12L/R 1/4WD	RACCORDO DESTRO P-EGES 12L/R 1/4WD	1
4530	65311344	T-VERSCHRAUBUNG P-TV 12 L T-STUK P-TV 12 L	RACCORD EN T P-TV 12 L RACOR EN T P-TV 12 L	RACCORDO A T P-TV 12 L	1
4560	65311607	VERSCHLUSSTOPFEN VSD 12L/S O.M.MB. STOP VSD 12L/S O.M.MB.	BOUCHON VSD 12L/S O.M.MB. TAPÓN VSD 12L/S O.M.MB.	TAPPO VSD 12L/S O.M.MB.	1
4580	65311844	GASVENTIL MBC-1900-SE DN65 40-80MBAR GASKLEP MBC1900 SE DN65 40-80MBAR	VANNE GAZ MBC1900 SE DN65 40-80MBAR VALVULA GAS MBC1900SE DN65 40-80MBAR	VALVOLA GAS MBC1900 SE DN65 40-80MBAR	1
	65311845	GASVENTIL MBC-3100-SE DN80 40-80MBAR GASKLEP MBC3100 SE DN80 40-80 MBAR	VANNE GAZ MBC3100 SE DN80 40-80 MBAR VALVULA GAS MBC3100 SE DN80 40-80 MBAR	VALVOLA GAS MBC3100 SE DN80 40-80 MBAR	1
	65311846	GASVENTIL MBC-5000-SE DN100 40-80MBAR GASKLEP MBC5000 SE DN100 40-80 MBAR	VANNE GAZ MBC5000 SE DN100 40-80 MBAR VALVULA GAS MBC5000 SE DN100 40-80 MBAR	VALVOLA GAS MBC5000 SE DN100 40-80 MBAR	1
4620	65311611	DICHTUNG/GASSTRECKE D127/77X2 DN65 PAKKING/GASSTRAAT D127/77X2 DN65	JOINT/RAMPE GAZ D127/77X2 DN65 JUNTA/RAMPA DE GAS D127/77X2 DN65	GUARNIZIONE/RAMPA GAS D127/77X2 DN65	1

		DE		FR		IT		
		NL		ES				
	65311612	DICHTUNG/GASSTRECKE D142/90X2 DN80 PAKKING/GASSTRAAT D142/90X2 DN80	JOINT/RAMPE GAZ D142/90X2 DN80 JUNTA/RAMPA DE GAS D142/90X2 DN80	GUARNIZIONE/RAMPA GAS D142/90X2 DN80	1			
	65311613	DICHTUNG/GASSTRECKE D162/115X2 DN100 PAKKING/GASSTRAAT D162/115X2 DN100	JOINT/RAMPE GAZ D162/115X2 DN100 JUNTA/RAMPA DE GAS D162/115X2 DN100	GUARNIZIONE/RAMPA GAS D162/115X2 DN100	1			
4640	65310852	DRUCKWAECHTER GW 500 A5 (30-500MBAR) GASDRUKSCHAKELAAR GW 500 A5 30-500MB	MANOSTAT GAZ GW 500 A5 30-500MB PRESOSTATO GAS GW 500 A5 30-500MB	PRESSOSTATO GAS GW 500 A5 30-500MB	1			
	65323022	GASDRUCKWAECHTER GW 150 A6 5-50 MBAR GASDRUKSCHAKELAAR GW 150 A6 10-150MB	MANOSTAT GAZ GW 150 A6 10-150MB PRESOSTATO GAS GW 150 A6 10-150MB	PRESSOSTATO GAS GW 150 A6 10-150MB	1			
4650	65311615	GERAETESTECKDOSE GDMW 30-11 DF STEKKER GDMW 30-11 DF	PRISE GDMW 30-11 DF TOMA GDMW 30-11 DF	PRESA GDMW 30-11 DF	1			
4800	65311460	GASFILTER GF65MF-2020-A-1 DN65 1BAR GASFILTER GF65MF-2020-A-1 DN65 1BAR	FILTRE GAZ GF65MF-2020-A-1 DN65 1BAR FILTRO GAS GF65MF-2020-A-1 DN65 1BAR	FILTRO GAS GF65MF-2020-A-1 DN65 1BAR	1			
	65311461	GASFILTER GF80MF-2424-A-1 DN80 1BAR GASFILTER GF80MF-2424-A-1 DN80 1BAR	FILTRE GAZ GF80MF-2424-A-1 DN80 1BAR FILTRO GAS GF80MF-2424-A-1 DN80 1BAR	FILTRO GAS GF80MF-2424-A-1 DN80 1BAR	1			
	65311462	GASFILTER GF100MF-3232-A-1 DN100 1BAR GASFILTER GF100MF-3232-A-1 DN100 1BAR	FILTRE GAZ GF100MF-3232-A-1 DN100 1BAR FILTRO GAS GF100MF-3232-A-1 DN100 1BAR	FILTRO GAS GF100MF-3232-A-1 DN100 1BAR	1			
4801	65311723	ERSATZTEILSET F.GASFILTER GF 65MF FILTERELEMENT GF65MF	ELEMENT FILTRANT GF65MF ELEMENTO FILTRANTE GF65MF	ELEMENTO FILTRANTE GF65MF	1			
	65311888	ERSATZTEILSET F.GASFILTER GF 80MF FILTERELEMENT GF80MF	ELEMENT FILTRANT GF80MF ELEMENTO FILTRANTE GF80MF	ELEMENTO FILTRANTE GF80MF	1			
	65311889	ERSATZTEILSET F.GASFILTER GF100MF FILTERELEMENT GF100MF	ELEMENT FILTRANT GF100MF ELEMENTO FILTRANTE GF100MF	ELEMENTO FILTRANTE GF100MF	1			
5001	13020640	DUESE DZ1000 350KG 60° M14 1-5 SPROEIER DZ1000 350KG 60° M14 1-5	GICLEUR DZ1000 350KG 60° M14 1-5 BOQUILLA DZ1000 350KG 60° M14 1-5	UGELLO DZ1000 350KG 60° M14 1-5	1			
	13020641	DUESE DZ1000 400KG 60° M14 1-5 SPROEIER DZ1000 400KG 60° M14 1-5	GICLEUR DZ1000 400KG 60° M14 1-5 BOQUILLA DZ1000 400KG 60° M14 1-5	UGELLO DZ1000 400KG 60° M14 1-5	1			
	1450621478	DUESE DZ1000 450KG 60° M14 1-5 SPROEIER DZ1000 450KG 60° M14 1-5	GICLEUR DZ1000 450KG 60° M14 1-5 BOQUILLA DZ1000 450KG 60° M14 1-5	UGELLO DZ1000 450KG 60° M14 1-5	1			
	1450621489	DUESE DZ1000 500KG 60° M14 1-5 SPROEIER DZ1000 500KG 60° M14 1-5	GICLEUR DZ1000 500KG 60° M14 1-5 BOQUILLA DZ1000 500KG 60° M14 1-5	UGELLO DZ1000 500KG 60° M14 1-5	1			
	1450621490	DUESE DZ1000 550KG 60° M14 1-5 SPROEIER DZ1000 550KG 60° M14 1-5	GICLEUR DZ1000 550KG 60° M14 1-5 BOQUILLA DZ1000 550KG 60° M14 1-5	UGELLO DZ1000 550KG 60° M14 1-5	1			
	1450621503	DUESE DZ1000 600KG 60° M14 1-5 SPROEIER DZ1000 600KG 60° M14 1-5	GICLEUR DZ1000 600KG 60° M14 1-5 BOQUILLA DZ1000 600KG 60° M14 1-5	UGELLO DZ1000 600KG 60° M14 1-5	1			
	65311376	DUESE DZ1000 375KG 60° M14 1-5 SPROEIER DZ1000 375KG 60° M14 1-5	GICLEUR DZ1000 375KG 60° M14 1-5 BOQUILLA DZ1000 375KG 60° M14 1-5	UGELLO DZ1000 375KG 60° M14 1-5	1			
	65313144	DUESE DZ1000 325KG 60° M14 1-5 SPROEIER DZ1000 325KG 60° M14 1-5	GICLEUR DZ1000 325KG 60° M14 1-5 BOQUILLA DZ1000 325KG 60° M14 1-5	UGELLO DZ1000 325KG 60° M14 1-5	1			
5002	65312450	FEUERUNGSAUT. BT340 SPEZIAL EINSTELL. BRANDERAUT. BT340 SPECIAL. AFSTELLING	COFFRET BT340 REGLAGE SPECIFIQUE PROGRAMADOR BT340 CONFIG. ESPECIFICA	APPARECCH. BT340 REGOL. SPEZIAL.	1			
	65312455	FEUERUNGSAUTOM. BT340 GL-EF3+FQ.UM BRANDERAUT. BT340 GL-EF3+FQ.OMV.	COFFRET BT340 GL-EF3+REG.FRQ. PROGRAMAD.BT340 GL-EF3+CONV.FREQ.	APPARECCHIAT.BT340 GL-EF3+REG.FQ	1			
5010	65311362	PRUEFBRENNER M.DRUCKKNOPFHAHN PB2 PROEFBRANDER MET DRUKKNOP PB2	BRULEUR ESSAI AVEC B. POUSSOIR PB2 QUEMADOR DE PRUEBA CON PULSADOR PB2	BRUCIATORE DI PROVA CON PULSANTE PB2	1			
5020	65311918	VSM100 (LSB-M 667R0200-1) VSM100-MODULE (LSB-M 667R0200-1)	MODULE VSM100 (LSB-M 667R0200-1) MÓDULO VSM100 (LSB-M 667R0200-1)	MODULO VSM100 (LSB-M 667R0200-1)	1			
5035	65312550	INDUKT. NÄHERUNGSSCHALTER NAMUR D25 SENSOR NAMUR D25	CAPTEUR NAMUR D25 SENSOR NAMUR D25	SENSORE NAMUR D25	1			
5042	65311940	RELAIS FIN 38.61.8.240.5060 KLL 1W FZ RELAIS FIN 38.61.8.240.5060 KLL 1W FZ	RELAIS FIN 38.61.8.240.5060 KLL 1W FZ RELE FIN 38.61.8.240.5060 KLL 1W FZ	RELE FIN 38.61.8.240.5060 KLL 1W FZ	1			
5100	65312302	REGELWELLE 5.0 LINKSVERS. REGELING AS 5.0 (CCW)	ARBRE DE REGULATION 5.0 (ROT. GAUCHE) ARBOL DE REGULACION 5.0 (ROT. IZQUIERDA)	ALBERO DI REGOLAZIONE 5.0 (ROT.SINISTRA)	1			
	65312303	REGELWELLE 6.0 LINKSVERS. REGELING AS 6.0 (CCW)	ARBRE DE REGULATION 6.0 (ROT. GAUCHE) ARBOL DE REGULACION 6.0 (ROT. IZQUIERDA)	ALBERO DI REGOLAZIONE 6.0 (ROT.SINISTRA)	1			
	65312304	REGELWELLE 7.0 LINKSVERS. REGELING AS 7.0 (CCW)	ARBRE DE REGULATION 7.0 (ROT. GAUCHE) ARBOL DE REGULACION 7.0 (ROT. IZQUIERDA)	ALBERO DI REGOLAZIONE 7.0 (ROT.SINISTRA)	1			
	65312305	REGELWELLE 8.0 LINKSVERS. REGELING AS 8.0 (CCW)	ARBRE DE REGULATION 8.0 (ROT. GAUCHE) ARBOL DE REGULACION 8.0 (ROT. IZQUIERDA)	ALBERO DI REGOLAZIONE 8.0 (ROT.SINISTRA)	1			
5300	65114033	REGLER RWF 55.50A9 REGELAAR RWF 55.50A9	REGULATEUR RWF 55.50A9 REGULADOR RWF 55.50A9	REGOLATORE RWF 55.50A9	1			

		RU TR	PT	PL	X
1040	65311968	ВОЗДУХОЗАБОРНИК D332X116 HAVA GIRIŞ D332X116	ENTRADA DE AR D332X116	WLOT POWIETRZA D332X116	1
	65311987	ВОЗДУХОЗАБОРНИК D298X131 HAVA GIRIŞ D298X131	ENTRADA DE AR D298X131	WLOT POWIETRZA D298X131	1
1050	1180603227	БЕСЦВЕТ. ГЛАЗОК ДЛЯ КОНТРОЛЯ ПЛАМЕНИ RENKSİZ GÖZETLEME CAMI D55X21	VIGIA INCOLOR D55X21	WZIERNIK BEZBARWNA D55X21	1
1060	1188052260	ГЛАЗОК ДЛЯ КОНТРОЛЯ ПЛАМЕНИ КОРОБ КАРАК/GÖZETLEME CAMI D55X61	TAMPA VIGIA D55X61	POKRYWA/WZIERNIK D55X61	1
1065	65312849	ШКАЛУ-ИНДИКАТОР ХОДА ЕКЕВО 8/9 INDICATOR ISKALA EKEVO 8/9	INDICADOR AJUST. CON ESCALA EKEVO 8/9	WSKAŹNIK + SKALI EKEVO 8/9	1
1070	1180559591	ГАЙКА/ГЛАЗОК ДЛЯ КОНТРОЛЯ ПЛАМЕНИ SOMUN/GÖZETLEME CAMI M48X1,5 SW60	PARAFUSO VIGIA M48X1,5 SW60	NAKRĘTKA/WZIERNIK M48X1,5 SW60	1
1075	65313875	ОСЬ/ВОЗДУШ.ЗАСЛ./УКАЗАТЕЛЬ D12X680 M8-M6 AKSI/HAVA KLAPESI/IŞARETÇİ D12X680 M8-M6	HASTE / FLAP DE AR/PONTOS D12X680 M8-M6	OŚ/PRZEPUST.POW./WSKAŹNIK D12X680 M8-M6	1
1076	65313877	ОСЬ / СЕРВОДВИГАТЕЛЬ/ШЕСТЕРНЯ D12X679 AKSI / SERWOMOTOR/DIŞLI D12X679	HASTE / SERWOMOTOR/ENGRANAGEM D12X679	OŚ / SERWOMOTOR/PRZEKŁADNIA D12X679	1
1077	65313876	ОСЬ / ВОЗДУШ.ЗАСЛ./ШЕСТЕРНЯ D12X671 AKSI / HAVA KLAPESI/DIŞLI D12X671	HASTE / FLAP DE AR/ENGRANAGEM D12X671	OŚ / PRZEPUST.POW./PRZEKŁADNIA D12X671	1
1078	65313874	ОСЬ / ВОЗДУШ.ЗАСЛ./РЫЧАГ D12X669 M8 AKSI / HAVA KLAPESI/KOLU D12X669 M8	HASTE / FLAP DE AR/ALAVANCA D12X669 M8	OŚ / PRZEPUST.POW./DŹWIGNIA D12X669 M8	1
1079	65313873	РЫЧАГ/ОСЬ ВОЗДУШНАЯ ЗАСЛ. 54X20 D10-D6 KOL/HAksi HAVA KLAPESI 54X20 D10-D6	ALAVANCA / HASTE FLAP DE AR 54X20 D10-D6	DŹWIGNIA/OŚ PRZEPUST.POW. 54X20 D10-D6	1
1080	65311969	РАБОЧЕЕ КОЛЕСО D575/334x89 D42 TÜRBİN D575/334x89 D42	TURBINA D575/334x89 D42	WIMIK D575/334x89 D42	1
	65311970	РАБОЧЕЕ КОЛЕСО D618/316X61 D48 TÜRBİN D618/316X61 D48	TURBINA D618/316X61 D48	WIMIK D618/316X61 D48	1
1090	65311471	ТРАНСФОРМАТОР РОЗЖИГА ЕБИ 1X11 230 ATEŞLEME TRAFÖ. EBI 1X11 230V	TRANSFO IGNIÇÃO EBI 1X11 230V	TRANSFO ZAPŁONOWY EBI 1X11 230V	1
1091	1738733651	ТРАНСФО РОЗЖИГА ZM20/14 2X7 230V ED50 ATEŞLEME TRAFÖ. ZM20/14 2X7 230V ED50	TRANSFO IGNIÇÃO ZM20/14 2X7 230V ED50	TRANSFO ZAPŁONOWY ZM20/14 2X7 230V ED50	1
1094	65312242	ДЕРЖАТЕЛЬ ФОТОРЕЗИСТОР FFS06/FFS08 DESTEĞİ HÜCRE FFS06/FFS08	SUPORTE CELULA FFS06/FFS08	WSPORNIK FOTOKOMÓRKA FFS06/FFS08	1
1095	65312487	ФОТОЭЛЕМЕНТ FFS 08-T (IR) L5000 FOTOSEL FFS 08-T (IR) L5000	FOTOCELULA FFS 08-T (IR) L5000	FOTOKOMÓRKA FFS 08-T (IR) L5000	1
1100	65311472	ЗЕРКАЛО/ГЛАЗОК ДЛЯ КОНТРОЛЯ ПЛАМЕНИ AYNA/GÖZETLEME CAMI	ESPELHO/VIGIA	LUSTRO/WZIERNIK	1
1110	65311595	РЕЛЕ ДАВ. ВОЗДУХА LGW 50 A2P 2,5-50MB HAVA BASINÇ ŞALT. LGW 50 A2P 2,5-50MB	PRESSOSTATO AR LGW 50 A2P 2,5-50MB	CZUJNIK CIŚ. POW. LGW 50 A2P 2,5-50MB	1
1120	65312855	ГАЗОВЫЙ КЛАПАН+СЕРВОДВИГАТЕЛЬ В СБОРЕ GAZ KLAPESI+KOMPLE SERVO MOTOR	VÁLVULA DE GÁS + ATUADOR COMPLETO	ZAWÓR GAZU+SERWOMOTOR KOMPLETNY	1
1121	65312853	ГАЗОВЫЙ КЛАПАН RP4 STE4,5 3N-STM30+O'RG GAZ KLAPESI RP4 STE4,5 3N-STM30+O'RING	VÁLVULA GÁS RP4 STE4,5 3N-STM30+O'RING	ZAWÓR GAZU.RP4 STE4,5 3N-STM30+O'RING	1
1122	65323999	O-RING 8475D120,02X6,99 O-RING 8475D120,02X6,99	O-RING 8475D120,02X6,99	O-RING 8475D120,02X6,99	1
1150	65311650	СЕРВОДВИГАТЕ. STE4,5 Q3.51/6 3NM R (BT3XX) SERWOMOTOR STE4,5 Q3.51/6 3NM R (BT3XX)	SERVOMOTOR STE4,5 Q3.51/6 3NM R (BT3XX)	SERVOMOTOR STE4,5 Q3.51/6 3NM R (BT3XX)	1
1160	65311650	СЕРВОДВИГАТЕ. STE4,5 Q3.51/6 3NM R (BT3XX) SERWOMOTOR STE4,5 Q3.51/6 3NM R (BT3XX)	SERVOMOTOR STE4,5 Q3.51/6 3NM R (BT3XX)	SERVOMOTOR STE4,5 Q3.51/6 3NM R (BT3XX)	1
1170	65326334	ЭЛЕКТРОДВИГАТЕ. 15KW 400/690V D42 IE3 ЧЕ. MOTORU 15KW 400/690V D42 IE3 ELV SIYAH	MOTOR 15KW 400/690V D42 IE3 ELV PRETO	SILNIK 15KW 400/690V D42 IE3 ELV CZARNY	1
	65326336	ЭЛЕКТРОДВИГАТЕ. 22KW 400/690V D48 IE3 ЧЕ. MOTORU 22KW 400/690V D48 IE3 ELV SIYAH	MOTOR 22KW 400/690V D48 IE3 ELV PRETO	SILNIK 22KW 400/690V D48 IE3 ELV CZARNY	1
1171	65311933	САЛБНИК M32X1,5 KABLO BEZİ M32X1,5	PRENSAESTOPAS M32X1,5	DŁAWNICA M32X1,5	1
1200	65312856	ВОЗДУШНАЯ ЗАСЛОНКА В СБОРЕ ЕКЕВО8/9 DONANIMLI HAVA KLAPESI EKEVO8/9	CONJUNTO ALETA DE AR EKEVO8/9	PRZEPUSTNICA POWIETR. Z OSPR.EKEVO8/9	1
1400	65312848	ЗУБЧАТОЕ КОЛЕ. Z=100 M=1 BO=12MM ЕКЕВО8/9 DIŞLI ÇARK Z=100 M=1 BO=12MM EKEVO8/9	RODA DENTADA Z=100 M=1 BO=12MM EKEVO8/9	KOŁO ZĘBATE Z=100 M=1 BO=12MM EKEVO8/9	1
1510	65312340	ЧЕХОЛ ЭЛЕКТРОННОГО ЩИТА ELEKTRİK MUHAFAZA KAPAĞI	TAMPA DO ARMÁRIO ELÉTRICO	POKRYWA URZĄDZEŃ ELEKTRYCZNYCH	1
1512	65312338	ЗАГЛУШКА/РЕГУЛЯТОР 92X45 IP54 OBTURATOER/REGÜLATÖR 92X45 IP54	TAMPA CEGA/CONTROLADOR 92X45 IP54	ZASŁEPKA/REGULATOR 92X45 IP54	1
1520	65326869	ДИСПЛЕЙ БЛОКА УПРАВЛЕНИЯ BT3XX EKRAN KUTU BT3XX	VISOR UNIDADE DE CONTROLE BT3XX	WYŚWIETLACZ MODUŁ BT3XX	1
1525	65311364	ПРОКЛАДКА/ДИСПЛЕЙ 152/140X80/70X2 CONTASI/EKRAN 152/140X80/70X2	GAXETA/VISOR 152/140X80/70X2	USZCZELKA/WYŚWIETLACZ 152/140X80/70X2	1
1530	65312447	БЛОК УПРАВЛЕНИЯ BT340 ОСН.НАСТР-КИ KUTU BT340 TEMEL AYARI	PROGRAMADOR BT340 CONFIGUR. BÁSICA	MODUŁ BT340 USTAWIENIE PODSTAWOWE	1
1540	65311791	МОДУЛЬ DFM300 (LSB-M 667R0600-1) MODÜLÜ DFM300 (LSB-M 667R0600-1)	MÓDULO DFM300 (LSB-M 667R0600-1)	MODUL DFM300 (LSB-M 667R0600-1)	1
1550	65311790	МОДУЛЬ LCM100 (LSB-M 667R0500-1) MODÜLÜ LCM100 (LSB-M 667R0500-1)	MÓDULO LCM100 (LSB-M 667R0500-1)	MODUL LCM100 (LSB-M 667R0500-1)	1

					
1555	65311789	АДАПТЕР ВТ300/DFM300 RAST5 ADAPTÖR ВТ300/DFM300 RAST5	ADAPTADOR ВТ300/DFM300 RAST5	ADAPTER ВТ300/DFM300 RAST5	1
1556	65313849	ДЕРЖАТЕЛЬ ПРЕД.+ПРЕДОХР-ЛЬ 6,3А(CERAMIC) SIGORTA TAŞIYICI + 6.3A SIGORTA(CERAMIC)	PORTA-FUSÍVEL+FUSÍVEL 6,3A (CERAMIC)	OPRAWA BEZPIEC.+BEZPIECZNIK 6,3A(CERAMIC)	1
1557	65313850	ПРЕДОХР-ЛЬ 6,3А(CERAMIC) 6.3A SIGORTA(CERAMIC)	FUSÍVEL 6,3A (CERAMIC)	BEZPIECZNIK 6,3A(CERAMIC)	1
1580	65311793	ВЫКЛЮЧ. ЭЛЕКТРОДВ. SCH D 3-4kW LC1D09P7 KONTAKTOER MOTOR SCH D 3-4kW LC1D09P7	CONTATOR MOTOR SCH D 3-4kW LC1D09P7	STYCNİK SILNIK SCH D 3-4kW LC1D09P7	1
1581	65311794	РАЗЪЕДИНИТ. ЭЛЕКТРОДВИГА. 3-4KW GV2ME14 DEVRE KESİCİ MOTOR 3-4KW GV2ME14	DISJUNTOR MOTOR 3-4KW GV2ME14	WYŁĄCZNIKI SILNIK 3-4KW GV2ME14	1
1585	65311795	ВСПОМОГАТЕЛЬНЫЙ ПЕРЕКЛЮЧАТЕЛЬ GVAE11 YARDIMCİ ANAHTARI GVAE11	INTERRUPTOR AUXILIAR GVAE11	PRZELĄCZNIK POMOCNICZY GVAE11	1
1595	65311796	ПУСКАТЕЛЬ ДВИГАТЕЛЯ Y/D 18KW LC3D18AP7 MARŞ MOTORU Y/D 18KW LC3D18AP7	ARRANCADOR MOTOR Y/D 18KW LC3D18AP7	ROZRUSZ. SILNIKA Y/D 18KW LC3D18AP7	1
	65311797	ПУСКАТЕЛЬ ДВИГАТЕЛЯ Y/D 22KW LC3D32AP7 MARŞ MOTORU Y/D 22KW LC3D32AP7	ARRANCADOR MOTOR Y/D 22KW LC3D32AP7	ROZRUSZ. SILNIKA Y/D 22KW LC3D32AP7	1
1597	65311798	РАЗЪЕДИНИТ. ЭЛЕКТРОДВИ. 15KW GV2ME32 DEVRE KESİCİ MOTOR 15KW GV2ME32	DISJUNTOR MOTOR 15KW GV2ME32	WYŁĄCZNIKI SILNIK 15KW GV2ME32	1
	65311917	РАЗЪЕДИНИТ. ЭЛЕКТРОДВИ. 22KW GV3P50 DEVRE KESİCİ MOTOR 22KW GV3P50	DISJUNTOR MOTOR 22KW GV3P50	WYŁĄCZNIKI SILNIK 22KW GV3P50	1
1600	65312334	СИГНАЛЬНАЯ ЛАМПА ЭЛЕКТРОННОГО ЩИТА İKAZ İŞİĞİ ELEKTRİK MUHAFAZA	LUZ INDICADORA DO ARMÁRIO ELÉTRICO	LAMPKA KONTROLNA URZĄDZEŃ ELEKTRY.	1
1601	65312335	ПЕРЕКЛЮЧАТЕЛЬ 2 ПОЗ. ANAHTARI İKİ POZİSYONLU	INTERRUPTOR 2 POS.	PRZELĄCZNIK 2 POZ.	1
1604	65313828	ПЕРЕКЛЮЧАТЕЛЬ 3 ПОЗ. МОМЕНТ. СНИМОК ANAHTARI ÜÇ POZİSYONLU ANINDA	INTERRUPTOR MOMENTÂNEO 3 POS.	PRZELĄCZNIK 3 POZ. MIGAWKA	1
1610	65311451	САЛБНИК M16 KABLO RAKORU M16	PRENSAESTOPAS M16	DLAWNICA M16	1
1611	65311758	САЛБНИК M20 KABLO RAKORU M20	PRENSAESTOPAS M20	DLAWNICA M20	1
1612	65312852	САЛБНИК CLICK M25 KABLO RAKORU CLICK M25	PRENSAESTOPAS CLICK M25	DLAWNICA CLICK M25	1
1696	65312275	КОНСОЛЬ ЛАМ F152 659G0501 KONSOL LAM F152 659G0501	CONSOLE LAM F152 659G0501	KONSOLA LAM F152 659G0501	1
1699	65312244	СОЕДИНИТЕЛЬ.КАБЕЛЬ ВТ300/LCM100 667P0515 BAĞLANTI KABLOSU ВТ300/LCM100 667P0515	CABO DE CONEXÃO ВТ300/LCM100 667P0515	POŁĄCZENIOW. KABEL ВТ300/LCM100 667P0515	1
1700	65311446	ИНСТРУМЕНТЫ WAG 2009-309 İŞLETİM ARAC WAG 2009-309	FERRAMENTA WAG 2009-309	NARZĘD. D.PRZELĄCZANIA WAG 2009-309	1
2020	65311415	СОПЛО ГОРЕЛКИ D369/300 L583 F3 BRÜLÖR BORUSU D369/300 L583 F3	TUBO DO QUEIMADOR D369/300 L583 F3	RURA PALNIKA D369/300 L583 F3	1
	65311416	СОПЛО ГОРЕЛКИ D369/300 L723 F3 BRÜLÖR BORUSU D369/300 L723 F3	TUBO DO QUEIMADOR D369/300 L723 F3	RURA PALNIKA D369/300 L723 F3	1
	65311417	СОПЛО ГОРЕЛКИ D369/300 L863 F3 BRÜLÖR BORUSU D369/300 L863 F3	TUBO DO QUEIMADOR D369/300 L863 F3	RURA PALNIKA D369/300 L863 F3	1
	65311418	СОПЛО ГОРЕЛКИ D431,5/369/300 L598 F3 BRÜLÖR BORUSU D431,5/369/300 L598 F3	TUBO DO QUEIMADOR D431,5/369/300 L598 F3	RURA PALNIKA D431,5/369/300 L598 F3	1
	65311419	СОПЛО ГОРЕЛКИ D431,5/369/300 L748 F3 BRÜLÖR BORUSU D431,5/369/300 L748 F3	TUBO DO QUEIMADOR D431,5/369/300 L748 F3	RURA PALNIKA D431,5/369/300 L748 F3	1
	65311420	СОПЛО ГОРЕЛКИ D431,5/369/300 L898 F3 BRÜLÖR BORUSU D431,5/369/300 L898 F3	TUBO DO QUEIMADOR D431,5/369/300 L898 F3	RURA PALNIKA D431,5/369/300 L898 F3	1
2110	65311422	ЗАВИХРИТЕЛЬ D230/210/121X325 10SL DOENER GOEVDE D230/210/121X325 10SL	TURBILHONADOR D230/210/121X325 10SL	ZAWIROWYWACZ D230/210/121X325 10SL	1
2115	65311421	РУКОВОДСТВО ВОЗДУХА HAVA KILAVUZU	GUIA DO AR	PROWADZĄCY POWIETRZE	1
2120	1450621490	ФОРСУНКА DZ1000 550KG 60° M14 1-5 PÜSK. MEMESİ DZ1000 550KG 60° M14 1-5	BOQUILLA DZ1000 550KG 60° M14 1-5	DYSZA DZ1000 550KG 60° M14 1-5	1
	1450621503	ФОРСУНКА DZ1000 600KG 60° M14 1-5 PÜSK. MEMESİ DZ1000 600KG 60° M14 1-5	BOQUILLA DZ1000 600KG 60° M14 1-5	DYSZA DZ1000 600KG 60° M14 1-5	1
2130	65311423	ГАЗОВЫЕ ДИФУЗОРЫ D28/22 L100 140° GAZ DİFÜZÖRLER D28/22 L100 140°	DIFUSOR GAS D28/22 L100 140°	DYSZ GAZU D28/22 L100 140°	1
2140	65311424	ГАЗОВЫЕ ДИФУЗОРЫ S D25/19 GAZ DİFÜZÖRLER S D25/19	DIFUSOR GAS S D25/19	DYSZ GAZU S D25/19	1
2190	65311425	ЭЛЕКТРОД ЗАЖИ. D9X50D3X101 130°L150D4 ATEŞLEYİCİ ELEKT. D9X50D3X101 130°L150D4	ELETRODO ENC. D9X50 D3X101 130°L150 d4	ELEKTRODA ALU. D9X50 D3X101 130°L150 d4	1
2200	65312214	КАБЕЛЬ РОЗЖИГА L250 AP ATEŞLEME KABLOSU L250 AP	CABO ENCENDIDO L250 AP	PRZEWÓD ALU. L250 AP	1
2201	65310724	КАБЕЛЬ РОЗЖИГА D4/SAT 72750 ATEŞLEME KABLOSU D4/SAT 72750	CABO ENCENDIDO D4/SAT 72750	PRZEWÓD ALU. D4/SAT 72750	1
2230	65311426	ЭЛЕКТРОД ЗАЖИ. D9X50D3X30 90+50°L150D4 ATEŞLEYİCİ ELEKT. D9X50D3X30 90+50°L150D4	ELETRODO ENC. D9X50 D3X30 90+50°L150 d4	ELEKTRODA ALU. D9X50 D3X30 90+50°L150 d4	1
2250	65311807	O-RING 217D142,88X5,33 NBR O-RING 217D142,88X5,33 NBR	O-RING 217D142,88X5,33 NBR	O-RING 217D142,88X5,33 NBR	1

					
2260	65311713	ПРОКЛАДКА/OVAL ФЛАНЕЦ 210X160X2 D116 CONTASI/OVAL FLANŞI 210X160X2 D116	GAXETA/OVAL FLANGE 210X160X2 D116	USZCZELKA/OVAL KOŁNIERZ 210X160X2 D116	1
2300	65313902	ПЛАСТИНА КРЕПЕЖНАЯ ПЛАСТИНА/ГАЗОВОГО ДИФ ADAPTÖR PLAKASI/GAZ DIFÜZOERÜ	PLACA ADAPTADORA/DIFUSOR DE GÁS	PŁYTA ADAPTERA/DYSZY GAZU	1
2350	65311427	РЕГУЛИРУ. СТЕРЖЕНЬ СКОЛЬЗЯЩАЯ ГОЛОВКА КМ AYAR ÇUBUĞU SÜRGÜLÜ BAŞ KM	VARETA DE AJUSTE DESLIZAMENTO CABEÇA KM	PRĘT STERUJĄCY GŁOWICA PRZESUWNYCH KM	1
	65311428	РЕГУЛИРУ. СТЕРЖЕНЬ СКОЛЬЗЯЩАЯ ГОЛОВКА КЛ AYAR ÇUBUĞU SÜRGÜLÜ BAŞ KL	VARETA DE AJUSTE DESLIZAMENTO CABEÇA KL	PRĘT STERUJĄCY GŁOWICA PRZESUWNYCH KL	1
	65311429	РЕГУЛИРУ. СТЕРЖЕНЬ СКОЛЬЗЯЩАЯ ГОЛОВКА КМ AYAR ÇUBUĞU SÜRGÜLÜ BAŞ KM	VARETA DE AJUSTE DESLIZAMENTO CABEÇA KM	PRĘT STERUJĄCY GŁOWICA PRZESUWNYCH KM	1
	65311430	РЕГУЛИРУ. СТЕРЖЕНЬ СКОЛЬЗЯЩАЯ ГОЛОВКА КЛ AYAR ÇUBUĞU SÜRGÜLÜ BAŞ KL	VARETA DE AJUSTE DESLIZAMENTO CABEÇA KL	PRĘT STERUJĄCY GŁOWICA PRZESUWNYCH KL	1
	65311808	РЕГУЛИРУ. СТЕРЖЕНЬ СКОЛЬЗЯЩАЯ ГОЛОВКА КН AYAR ÇUBUĞU SÜRGÜLÜ BAŞ KN	VARETA DE AJUSTE DESLIZAMENTO CABEÇA KN	PRĘT STERUJĄCY GŁOWICA PRZESUWNYCH KN	1
2360	65311812	КОЛЬЦО HALKA	ANEL	PIERŚCIEŃ	1
2370	65311813	РУКОВОДСТВО УСТАНОВКИ AYAR KILAVUZU	GUIA DE CONFIGURAÇÃO	PODRĘCZNIK USTAWIENIE	1
2380	65310280	ЛИНИЯ ФОРСУНКИ RDG1250 L860 PÜSKÜRTME MEMESİ HATTI RDG1250 L860	LÍNEA DE BOQUILLA RDG1250 L860	UKŁAD DYSZY RDG1250 L860	1
	65311431	ЛИНИЯ ФОРСУНКИ RDG1250 L1060 PÜSKÜRTME MEMESİ HATTI RDG1250 L1060	LÍNEA DE BOQUILLA RDG1250 L1060	UKŁAD DYSZY RDG1250 L1060	1
	65311432	ЛИНИЯ ФОРСУНКИ RDG1250 L1160 PÜSKÜRTME MEMESİ HATTI RDG1250 L1160	LÍNEA DE BOQUILLA RDG1250 L1160	UKŁAD DYSZY RDG1250 L1160	1
2385	65311714	СОЕДИНИТЕЛЬНЫЙ СТЕРЖЕНЬ CS10X200 BAĞLANTI ÇUBUĞU CS10X200	VARETA DE CONEXÃO CS10X200	PRĘT POŁĄCZENIA CS10X200	1
2386	65311433	СОЕДИНИТЕЛЬНЫЙ СТЕРЖЕНЬ CS10X325 BAĞLANTI ÇUBUĞU CS10X325	VARETA DE CONEXÃO CS10X325	PRĘT POŁĄCZENIA CS10X325	1
2390	65311819	ПРОКЛАДОЧНОЕ КОЛЬЦО SW 13X30 M6 PASPAYI SW 13X30 M6	ESPAÇADOR SW 13X30 M6	ROZPÓRKA SW 13X30 M6	1
2395	65311820	ПРОКЛАДОЧНОЕ КОЛЬЦО SW 13X85 2XM6 PASPAYI SW 13X85 2XM6	ESPAÇADOR SW 13X85 2XM6	ROZPÓRKA SW 13X85 2XM6	1
2400	65311434	СЦЕПЛЕНИЕ СЕРВОДВИГАТЕЛЬ KAPLIN SERVOMOTOR	ACOPLAMENTO SERVOMOTOR	ŁĄCZNIK SERWOMOTOR	1
2450	65311833	СЕРВОДВИГАТЕЛЬ STM 40 Q15.51/8 2NR SERVOMOTOR STM 40 Q15.51/8 2NR	SERVOMOTOR STM 40 Q15.51/8 2NR	SERWOMOTOR STM 40 Q15.51/8 2NR	1
2490	65311435	ШЛАНГ DN16 L500 ESNEK DN16 L500	FLEXIVEL DN16 L500	PRZEWÓD GIĘTKI DN16 L500	1
2510	65311407	ЭЛЕКТРОДВИГ. 3KW 230/400V D28 1400T/MN GM MOTORU 3KW 230/400V D28 1400 TR/MN GMP	MOTOR 3KW 230/400V D28 1400 TR/MN GMP	SILNIK 3KW 230/400V D28 1400 TR/MN GMP	1
2520	65312206	РЕЛЕ ДАВ. ВОЗДУХА DSB 158 F931 3-25BAR YAKIT BASINÇ SALT. DSB 158 F931 3-25BAR	PRESSOSTATO FUEL DSB 158 F931 3-25BAR	CZUJNIK CIŚ.OLEJU OP.DSB158 F931 3-25BAR	1
2525	65311615	РАЗЪЕМ GDMW 30-11 DF PRIZ GDMW 30-11 DF	TOMADA GDMW 30-11 DF	GNIAZDO GDMW 30-11 DF	1
2526	65311616	ПРОКЛАДКА GDM 3-21 CONTASI GDM 3-21	GAXETA GDM 3-21	USZCZELKA GDM 3-21	1
2550	65311650	СЕРВОДВИГАТЕ. STE4,5 Q3.51/6 3NM R (BT3XX) SERVOMOTOR STE4,5 Q3.51/6 3NM R (BT3XX)	SERVOMOTOR STE4,5 Q3.51/6 3NM R (BT3XX)	SERWOMOTOR STE4,5 Q3.51/6 3NM R (BT3XX)	1
2555	65311831	ПРОКЛАДОЧНОЕ КОЛЬЦО M6/M8X42 SW15 PASPAYI M6/M8X42 SW15	ESPAÇADOR M6/M8X42 SW15	ROZPÓRKA M6/M8X42 SW15	1
2560	65312938	Т-ШТУЦЕР P-TV18/18/10L T-RAKOR P-TV18/18/10L	UNIÃO EM T P-TV18/18/10L	T-ZŁĄCZE P-TV18/18/10L	1
2561	65313847	Т-ШТУЦЕР P-ELV18L-SV T-RAKOR P-ELV18L-SV	UNIÃO EM T P-ELV18L-SV	T-ZŁĄCZE P-ELV18L-SV	1
2562	65313847	Т-ШТУЦЕР P-ELV18L-SV T-RAKOR P-ELV18L-SV	UNIÃO EM T P-ELV18L-SV	T-ZŁĄCZE P-ELV18L-SV	1
2570	65312935	СЦЕПЛЕНИЕ D10/D8X38-90 KAPLIN D10/D8X38-90	ACOPLAMENTO D10/D8X38-90	ŁĄCZNIK D10/D8X38-90	1
2580	65311412	ПЛАСТИНА СЕРВОДВИГАТЕЛЬ STE SERVOMOTOR STE PLAKA	PRATO DO SERVOMOTOR STE	PŁYTA SERWOMOTOR STE	1
2600	65312284	МОНТ.ВОЖДЕ.ГИДРАВ.БЛОК N8/9&EKEVO8/9E BT HIDROL.ÜNİT.DÜZE.SÜRME N8/9&EKEVO8/9E BT	MONT.CONDUÇ.UNID.HIDR. N8/9&EKEVO8/9E BT	MONT.SZKOL.AGREG.HYDR. N8/9&EKEVO8/9E BT	1
2610	65311578	ФИЛЬТР R3/4 ДЮИМ OVENTROP FILTRE R3/4Z OVENTROP	FILTRO R3/4 POLEGADA OVENTROP	FILTR R3/4 CAL OVENTROP	1
2700	65311410	НАСОС VBHRG I 410 SO 1700L/H POMPA VBHRG I 410 SO 1700L/H	BOMBA VBHRG I 410 SO 1700L/H	POMPA VBHRG I 410 SO 1700L/H	1
2705	13022666	ЭЛЕКТРОКЛАПАН LUC 321F2523 P8 PG11 19W ELECTROVANA LUC 321F2523 P8 PG11 19W	ELECTROVALVULA LUC 321F2523 P8 PG11 19W	ELEKTROZAWOR LUC 321F2523 P8 PG11 19W	1
2710	13022667	ЭЛЕКТРОКЛАПАН LUC 121F2523 P8 PG11 19W ELECTROVANA LUC 121F2523 P8 PG11 19W	ELECTROVALVULA LUC 121F2523 P8 PG11 19W	ELEKTROZAWOR LUC 121F2523 P8 PG11 19W	1
2750	13019342	ШЛАНГ M30X1,5 DN20 L=1500 ESNEK M30X1,5 DN20 L=1500	FLEXIVEL M30X1,5 DN20 L=1500	PRZEWÓD GIĘTKI M30X1,5 DN20 L=1500	1

		<table border="1"><tr><td>RU</td></tr><tr><td>TR</td></tr></table>	RU	TR	<table border="1"><tr><td>PT</td></tr><tr><td></td></tr></table>	PT		<table border="1"><tr><td>PL</td></tr><tr><td></td></tr></table>	PL		
RU											
TR											
PT											
PL											
2800	65312305	РЕГУЛЯТОРА ДЕРЕВО 8.0 (CCW) AĞAÇ DÜZENLEMESİ 8.0 (CCW)	VEIO DE REGULAÇÃO 8.0 (CCW)	DRZEWO REGULACJA 8.0 (CCW)	1						
2810	65311406	НАСОСНЫЙ АГРЕГАТ.SMG1630-I-4-SO-IE2 30BAR POMPA UNİTESİ SMG1630-I-4-SO-IE2 30BAR	GRUPO DE BOMBA SMG1630-I-4-SO-IE2 30BAR	AGREGAT POMPY SMG1630-I-4-SO-IE2 30BAR	1						
3005	65311613	ПРОКЛАДКА/ГАЗОВАЯ РАМПА D162/115X2 DN100 CONTASI/GAZ RAMPASI D162/115X2 DN100	GAXETA/RAMPA DE GAS D162/115X2 DN100	USZCZELKA/RAMPA GAZOWA D162/115X2 DN100	1						
3010	65311678	КОЛЛЕКТОР DN100-R2Z 2G1/4 PN16 MANIFOLD DN100-R2Z 2G1/4 PN16	COLETOR DN100-R2Z 2G1/4 PN16	KOLEKTOR DN100-R2Z 2G1/4 PN16	1						
3020	65311606	ПРЯМОЙ ШТУЦЕР P-GEV 8LR-WD-VI SAĞ RAKOR P-GEV 8LR-WD-VI	UNIÃO DIREITA P-GEV 8LR-WD-VI	ZŁĄCZE PRAWE P-GEV 8LR-WD-VI	1						
3030	65311604	УГЛОВОЙ ШТУЦЕР P-EWV 8-L DIRSEKLI RAKOR P-EWV 8-L	UNIÃO COTOVELO P-EWV 8-L	ZŁĄCZKA TYPU KOLANKO P-EWV 8-L	1						
3040	65311579	ШТУЦЕР ОТБОРА ДАВЛЕНИЯ R1/4Z+УПЛОТ. BASINÇ GİRİŞİ R1/4Z+CONTA	TOMADA DE PRESSÃO R1/4Z+JUNTA	GNIĄZ. POMIARU CIŚNIEN. R1/4Z+USZCZEL	1						
3060	65311581	ГАЗОВЫЙ КЛАПАН VGD20 5011 RP2" GAZ VANASI VGD20 5011 RP2"	VALVULA GAS VGD20 5011 RP2"	ZAWÓR GAZOWY VGD20 5011 RP2"	1						
3070	65107100	СЕРВОДВИГАТЕЛЬ SKP25.003 E2 БЕЗ КОНЦЕВЫ SERVOMOTOR SKP 25.003 E2 LIMIT ANAHTAR	SERVOMOT. GÁS SKP25.003 E2 SEM FIM CURSO	SERWOSILNIK SKP25.003E2 BEZ WYŁĄCZNIKI	1						
3080	65311585	СОЕДИНИТЕЛ.КАБЕЛЬ AGA 62 PLUG DIN L270 BAĞLANTI KABLOSU AGA 62 PLUG DIN L270	CABO DE CONEXÃO AGA 62 TOMADA DIN L270	POŁĄCZENIOW. KABEL AGA 62 PLUG DIN L270	1						
3090	1478836180	СЕРВОДВИГАТЕЛЬ SKP15.000E2 БЕЗ КОНЦЕВЫ SERVOMOTOR SKP15.000E2 LIMIT ANAHTAR	SERVOMOTOR GAS SKP15.000E2 SEM FIM CURSA	SERWOSILNIK SKP15.000E2 BEZ WYŁĄCZNIKI	1						
3110	65311377	ФЛАНЕЦ AGF10.50 RP2 FLANŞI AGF10.50 RP2	FLANGE AGF10.50 RP2	KOŁNIERZ AGF10.50 RP2	1						
3120	65310852	РЕЛЕ ДАВ. ВОЗДУХА GW 500 A5 30-500MB GAZ BASINÇ ŞALT. GW 500 A5 30-500MB	PRESSOSTATO GÁS GW 500 A5 30-500MB	CZUJNIK CIŚ. GAZU GW 500 A5 30-500MB	1						
	65323022	РЕЛЕ ДАВ. ВОЗДУХА GW 150 A6 10-150MB GAZ BASINÇ ŞALT. GW 150 A6 10-150MB	PRESSOSTATO GAS GW 150 A6 10-150MB	CZUJNIK CIŚ. GAZU GW 150 A6 10-150MB	1						
3130	65311586	ГНЕЗДОВОЙ РАЗЪЕМ AGA64 DİŞİ PRİZ AGA64	TOMADA FÊMEA AGA64	GNIĄZDO AGA64	1						
3140	65311615	РАЗЪЕМ GDMW 30-11 DF PRİZ GDMW 30-11 DF	TOMADA GDMW 30-11 DF	GNIĄZDO GDMW 30-11 DF	1						
3300	65311459	ГАЗОВЫЙ ФИЛЬТР GF80M-1616-A-1 RP2 1BAR GAZ FILTR. GF80M-1616-A-1 RP2 1BAR	FILTRO GÁS GF80M-1616-A-1 RP2 1BAR	FILTR GAZU GF80M-1616-A-1 RP2 1BAR	1						
3301	65311361	ФИЛЬТРУЮЩИЙ ЭЛЕМЕНТ GF 80M FILTRE ELEMANI GF 80M	ELEMENTO FILTRANTE GF 80M	WKŁAD FILTRA GF 80M	1						
3505	65311613	ПРОКЛАДКА/ГАЗОВАЯ РАМПА D162/115X2 DN100 CONTASI/GAZ RAMPASI D162/115X2 DN100	GAXETA/RAMPA DE GAS D162/115X2 DN100	USZCZELKA/RAMPA GAZOWA D162/115X2 DN100	1						
3510	65311973	КОЛЛЕКТОР DN100 / R2 MANIFOLD DN100 / R2	COLETOR DN100 / R2	KOLEKTOR DN100 / R2	1						
3580	65311840	ГАЗОВЫЙ КЛАПАН MBC1200SES82RP2" 5-80MB GAZ VANA. MBC1200 SE S82 RP2" 5-80 MB	VÁLVULA GÁS MBC1200 SE S82 RP2" 5-80MBA	ZAWÓR GAZ. MBC1200SES82 RP2" 5-80MB	1						
3620	65313022	ФЛАНЕЦ MBC700/1200 RP2 FLANŞI MBC700/1200 RP2	FLANGE MBC700/1200 RP2	KOŁNIERZ MBC700/1200 RP2	1						
3640	65310852	РЕЛЕ ДАВ. ВОЗДУХА GW 500 A5 30-500MB GAZ BASINÇ ŞALT. GW 500 A5 30-500MB	PRESSOSTATO GÁS GW 500 A5 30-500MB	CZUJNIK CIŚ. GAZU GW 500 A5 30-500MB	1						
	65311598	РЕЛЕ ДАВ. ВОЗДУХА GW 150 A5 30-150MB GAZ BASINÇ ŞALT. GW 150 A5 30-150MB	PRESSOSTATO GAS GW 150 A5 30-150MB	CZUJNIK CIŚ. GAZU GW 150 A5 30-150MB	1						
3650	65311615	РАЗЪЕМ GDMW 30-11 DF PRİZ GDMW 30-11 DF	TOMADA GDMW 30-11 DF	GNIĄZDO GDMW 30-11 DF	1						
3700	13022417	СЕТЧАТЫЙ ФИЛЬТР/ГАЗОВЫЙ КЛАП. MBC1200 FILTRE SÜZGECİ/GAZ VANASI MBC1200	ELEMENTO FILTRANTE/VÁLVULA GÁS MBC1200	FILTR SITOWY/ZAWÓR GAZOWY MBC1200	1						
3800	65311459	ГАЗОВЫЙ ФИЛЬТР GF80M-1616-A-1 RP2 1BAR GAZ FILTR. GF80M-1616-A-1 RP2 1BAR	FILTRO GÁS GF80M-1616-A-1 RP2 1BAR	FILTR GAZU GF80M-1616-A-1 RP2 1BAR	1						
3801	65311361	ФИЛЬТРУЮЩИЙ ЭЛЕМЕНТ GF 80M FILTRE ELEMANI GF 80M	ELEMENTO FILTRANTE GF 80M	WKŁAD FILTRA GF 80M	1						
4005	65311613	ПРОКЛАДКА/ГАЗОВАЯ РАМПА D162/115X2 DN100 CONTASI/GAZ RAMPASI D162/115X2 DN100	GAXETA/RAMPA DE GAS D162/115X2 DN100	USZCZELKA/RAMPA GAZOWA D162/115X2 DN100	1						
4010	65311674	КОЛЛЕКТОР DN100/DN65 MANIFOLD DN100/DN65	COLETOR DN100/DN65	KOLEKTOR DN100/DN65	1						
	65311675	КОЛЛЕКТОР DN100-DN80 PN16 MANIFOLD DN100-DN80 PN16	COLETOR DN100-DN80 PN16	KOLEKTOR DN100-DN80 PN16	1						
	65311676	КОЛЛЕКТОР DN100/DN100 MANIFOLD DN100/DN100	COLETOR DN100/DN100	KOLEKTOR DN100/DN100	1						
	65311677	КОЛЛЕКТОР DN100/DN125 MANIFOLD DN100/DN125	COLETOR DN100/DN125	KOLEKTOR DN100/DN125	1						
4020	65311601	ПРЯМОЙ ШТУЦЕР P-EGES 12L/R 1/4WD SAĞ RAKOR P-EGES 12L/R 1/4WD	CONEXÃO DIREITA P-EGES 12L/R 1/4WD	ZŁĄCZE PRAWE P-EGES 12L/R 1/4WD	1						
4030	65311608	ШТУЦЕР (ЛОКОТЬ) P-EWV12L-SV RAKOR (DIRSEK) P-EWV12L-SV	UNIÃO (COTOVELO) P-EWV12L-SV	ZŁĄCZE (ŁOKIEC) P-EWV12L-SV	1						
4040	65311605	ШТУЦЕР P-KV12L RAKOR P-KV12L	CONEXÃO P-KV12L	ZŁĄCZE P-KV12L	1						

					
4060	65311607	КРЫШКА VSD 12L/S O.M.MB. TAPA VSD 12L/S O.M.MB.	TAMPA VSD 12L/S O.M.MB.	NAKRĘTKA VSD 12L/S O.M.MB.	1
4070	65311601	ПРЯМОЙ ШТУЦЕР P-EGES 12L/R 1/4WD SAĞ RAKOR P-EGES 12L/R 1/4WD	CONEXÃO DIREITA P-EGES 12L/R 1/4WD	ZŁĄCZE PRAWO P-EGES 12L/R 1/4WD	1
4080	65311453	ГАЗОВЫЙ КЛАПАН VGD40 125 DN125 GAZ VANASI VGD40 125 DN125	VALVULA GAS VGD40 125 DN125	ZAWÓR GAZOWY VGD40 125 DN125	1
	65311583	ГАЗОВЫЙ КЛАПАН VGD40 080 DN80 GAZ VANASI VGD40 080 DN80	VALVULA GAS VGD40 080 DN80	ZAWÓR GAZOWY VGD40 080 DN80	1
	65311590	ГАЗОВЫЙ КЛАПАН VGD40 100 DN100 GAZ VANASI VGD40 100 DN100	VALVULA GAS VGD40 100 DN100	ZAWÓR GAZOWY VGD40 100 DN100	1
	65323661	ГАЗОВЫЙ КЛАПАН VGD40 065 DN65 GAZ VANASI VGD40 065 DN65	VÁLVULA GÁS VGD40 065 DN65	ZAWÓR GAZOWY VGD40 065 DN65	1
4090	65107100	СЕРВОДВИГАТЕЛЬ SKP25.003 E2 БЕЗ КОНЦЕВЫ SERVOMOTOR SKP 25.003 E2 LIMIT ANAHTAR	SERVOMOT. GÁS SKP25.003 E2 SEM FIM CURSO	SERWOSILNIK SKP25.003E2 BEZ WYŁĄCZNIKI	1
4100	65311585	СОЕДИНИТЕЛЬ.КАБЕЛЬ АГА 62 PLUG DIN L270 BAĞLANTI KABLOSU AGA 62 PLUG DIN L270	CABO DE CONEXÃO AGA 62 TOMADA DIN L270	POŁĄCZENIOW. KABEL AGA 62 PLUG DIN L270	1
4110	1478836180	СЕРВОДВИГАТЕЛЬ SKP15.000E2 БЕЗ КОНЦЕВЫ SERVOMOTOR SKP15.000E2 LIMIT ANAHTAR	SERVOMOTOR GAS SKP15.000E2 SEM FIM CURSA	SERWOSILNIK SKP15.000E2 BEZ WYŁĄCZNIKI	1
4120	65311611	ПРОКЛАДКА/ГАЗОВАЯ РАМПА D127/77X2 DN65 CONTASI/GAZ RAMPASI D127/77X2 DN65	GAXETA/RAMPA DE GAS D127/77X2 DN65	USZCZELKA/RAMPA GAZOWA D127/77X2 DN65	1
	65311612	ПРОКЛАДКА/ГАЗОВАЯ РАМПА D142/90X2 DN80 CONTASI/GAZ RAMPASI D142/90X2 DN80	GAXETA/RAMPA DE GAS D142/90X2 DN80	USZCZELKA/RAMPA GAZOWA D142/90X2 DN80	1
	65311613	ПРОКЛАДКА/ГАЗОВАЯ РАМПА D162/115X2 DN100 CONTASI/GAZ RAMPASI D162/115X2 DN100	GAXETA/RAMPA DE GAS D162/115X2 DN100	USZCZELKA/RAMPA GAZOWA D162/115X2 DN100	1
	65311614	ПРОКЛАДКА/ГАЗОВАЯ РАМПА D192/141X2 DN125 CONTASI/GAZ RAMPASI D192/141X2 DN125	GAXETA/RAMPA DE GAS D192/141X2 DN125	USZCZELKA/RAMPA GAZOWA D192/141X2 DN125	1
4130	65311586	ГНЕЗДОВОЙ РАЗЪЕМ АГА64 DİŞİ PRIZ AGA64	TOMADA FÉMEA AGA64	GNIAZDO AGA64	1
4140	65311615	РАЗЪЕМ GDMW 30-11 DF PRIZ GDMW 30-11 DF	TOMADA GDMW 30-11 DF	GNIAZDO GDMW 30-11 DF	1
4150	65310852	РЕЛЕ ДАВ. ВОЗДУХА GW 500 A5 30-500MB GÁZ BASINÇ ŞALT. GW 500 A5 30-500MB	PRESSOSTATO GÁS GW 500 A5 30-500MB	CZUJNIK CIŚ. GAZU GW 500 A5 30-500MB	1
	65323022	РЕЛЕ ДАВ. ВОЗДУХА GW 150 A6 10-150MB GAZ BASINÇ ŞALT. GW 150 A6 10-150MB	PRESSOSTATO GAS GW 150 A6 10-150MB	CZUJNIK CIŚ. GAZU GW 150 A6 10-150MB	1
4300	65311460	ГАЗОВЫЙ ФИЛЬТР GF65MF-2020-A-1 DN65 1BAR GAZ FILTR. GF65MF-2020-A-1 DN65 1BAR	FILTRO GÁS GF65MF-2020-A-1 DN65 1BAR	FILTR GAZU GF65MF-2020-A-1 DN65 1BAR	1
	65311461	ГАЗОВЫЙ ФИЛЬТР GF80MF-2424-A-1 DN80 1BAR GAZ FILTR. GF80MF-2424-A-1 DN80 1BAR	FILTRO GÁS GF80MF-2424-A-1 DN80 1BAR	FILTR GAZU GF80MF-2424-A-1 DN80 1BAR	1
	65311462	ГАЗОВЫЙ ФИЛЬТР GF100MF-3232-A-1 DN100 1B GAZ FILTR. GF100MF-3232-A-1 DN100 1BAR	FILTRO GÁS GF100MF-3232-A-1 DN100 1BAR	FILTR GAZU GF100MF-3232-A-1 DN100 1BAR	1
	65311463	ГАЗОВЫЙ ФИЛЬТР GF125MF-4040-A-1 DN125 1B GAZ FILTR. GF125MF-4040-A-1 DN125 1BAR	FILTRO GÁS GF125MF-4040-A-1 DN125 1BAR	FILTR GAZU GF125MF-4040-A-1 DN125 1BAR	1
4301	65311723	ФИЛЬТРУЮЩИЙ ЭЛЕМЕНТ GF65MF FILTRE ELEMANI GF65MF	ELEMENTO FILTRANTE GF65MF	WKŁAD FILTRA GF65MF	1
	65311888	ФИЛЬТРУЮЩИЙ ЭЛЕМЕНТ GF80MF FILTRE ELEMANI GF80MF	ELEMENTO FILTRANTE GF80MF	WKŁAD FILTRA GF80MF	1
	65311889	ФИЛЬТРУЮЩИЙ ЭЛЕМЕНТ GF100MF FILTRE ELEMANI GF100MF	ELEMENTO FILTRANTE GF100MF	WKŁAD FILTRA GF100MF	1
	65311890	ФИЛЬТРУЮЩИЙ ЭЛЕМЕНТ GF125MF FILTRE ELEMANI GF125MF	ELEMENTO FILTRANTE GF125MF	WKŁAD FILTRA GF125MF	1
4505	65311613	ПРОКЛАДКА/ГАЗОВАЯ РАМПА D162/115X2 DN100 CONTASI/GAZ RAMPASI D162/115X2 DN100	GAXETA/RAMPA DE GAS D162/115X2 DN100	USZCZELKA/RAMPA GAZOWA D162/115X2 DN100	1
4510	65311674	КОЛЛЕКТОР DN100/DN65 MANIFOLD DN100/DN65	COLETOR DN100/DN65	KOLEKTOR DN100/DN65	1
	65311675	КОЛЛЕКТОР DN100-DN80 PN16 MANIFOLD DN100-DN80 PN16	COLETOR DN100-DN80 PN16	KOLEKTOR DN100-DN80 PN16	1
	65311676	КОЛЛЕКТОР DN100/DN100 MANIFOLD DN100/DN100	COLETOR DN100/DN100	KOLEKTOR DN100/DN100	1
4520	65311601	ПРЯМОЙ ШТУЦЕР P-EGES 12L/R 1/4WD SAĞ RAKOR P-EGES 12L/R 1/4WD	CONEXÃO DIREITA P-EGES 12L/R 1/4WD	ZŁĄCZE PRAWO P-EGES 12L/R 1/4WD	1
4530	65311344	Т-ШТУЦЕР P-TV 12 L T-RAKOR P-TV 12 L	CONEXÃO EM T P-TV 12 L	T-ZŁĄCZKA P-TV 12 L	1
4560	65311607	КРЫШКА VSD 12L/S O.M.MB. TAPA VSD 12L/S O.M.MB.	TAMPA VSD 12L/S O.M.MB.	NAKRĘTKA VSD 12L/S O.M.MB.	1
4580	65311844	ГАЗОВЫЙ КЛАПАН MBC1900SE DN65 40-80MBAR GAZ VANASI MBC1900SE DN65 40-80 MBAR	VÁLVULA GÁS MBC1900SE DN65 40-80MBAR	ZAWÓR GAZ. MBC1900SE DN65 40-80 MBAR	1
	65311845	ГАЗОВЫЙ КЛАПАН MBC3100SE DN80 40-80MBAR GAZ VANASI MBC3100SE DN80 40-80 MBAR	VÁLVULA GÁS MBC3100 SE DN80 40-80 MBAR	ZAWÓR GAZ. MBC3100SE DN80 40-80 MBAR	1
	65311846	ГАЗОВЫЙ КЛАПАН MBC5000SE DN100 40-80MB GAZ VANASI MBC5000 SE DN100 40-80 MB	VÁLVULA GÁS MBC5000 SE DN100 40-80 MBAR	ZAWÓR GAZ. MBC5000SE DN100 40-80MBAR	1
4620	65311611	ПРОКЛАДКА/ГАЗОВАЯ РАМПА D127/77X2 DN65 CONTASI/GAZ RAMPASI D127/77X2 DN65	GAXETA/RAMPA DE GAS D127/77X2 DN65	USZCZELKA/RAMPA GAZOWA D127/77X2 DN65	1

		RU		PT		PL		
		TR						
	65311612	ПРОКЛАДКА/ГАЗОВАЯ РАМПА D142/90X2 DN80 CONTASI/GAZ RAMPASI D142/90X2 DN80		GAXETA/RAMPA DE GAS D142/90X2 DN80		USZCZELKA/RAMPA GAZOWA D142/90X2 DN80		1
	65311613	ПРОКЛАДКА/ГАЗОВАЯ РАМПА D162/115X2 DN100 CONTASI/GAZ RAMPASI D162/115X2 DN100		GAXETA/RAMPA DE GAS D162/115X2 DN100		USZCZELKA/RAMPA GAZOWA D162/115X2 DN100		1
4640	65310852	РЕЛЕ ДАВ. ВОЗДУХА GW 500 A5 30-500MB GAZ BASINÇ ŞALT. GW 500 A5 30-500MB		PRESSOSTATO GÁS GW 500 A5 30-500MB		CZUJNIK CIŚ. GAZU GW 500 A5 30-500MB		1
	65323022	РЕЛЕ ДАВ. ВОЗДУХА GW 150 A6 10-150MB GAZ BASINÇ ŞALT. GW 150 A6 10-150MB		PRESSOSTATO GAS GW 150 A6 10-150MB		CZUJNIK CIŚ. GAZU GW 150 A6 10-150MB		1
4650	65311615	РАЗЪЕМ GDMW 30-11 DF PRIZ GDMW 30-11 DF		TOMADA GDMW 30-11 DF		GNIAZDO GDMW 30-11 DF		1
4800	65311460	ГАЗОВЫЙ ФИЛЬТР GF65MF-2020-A-1 DN65 1BAR GAZ FILTR. GF65MF-2020-A-1 DN65 1BAR		FILTRO GÁS GF65MF-2020-A-1 DN65 1BAR		FILTR GAZU GF65MF-2020-A-1 DN65 1BAR		1
	65311461	ГАЗОВЫЙ ФИЛЬТР GF80MF-2424-A-1 DN80 1BAR GAZ FILTR. GF80MF-2424-A-1 DN80 1BAR		FILTRO GÁS GF80MF-2424-A-1 DN80 1BAR		FILTR GAZU GF80MF-2424-A-1 DN80 1BAR		1
	65311462	ГАЗОВЫЙ ФИЛЬТР GF100MF-3232-A-1 DN100 1B GAZ FILTR. GF100MF-3232-A-1 DN100 1BAR		FILTRO GÁS GF100MF-3232-A-1 DN100 1BAR		FILTR GAZU GF100MF-3232-A-1 DN100 1BAR		1
4801	65311723	ФИЛЬТРУЮЩИЙ ЭЛЕМЕНТ GF65MF FILTRE ELEMANI GF65MF		ELEMENTO FILTRANTE GF65MF		WKŁAD FILTRA GF65MF		1
	65311888	ФИЛЬТРУЮЩИЙ ЭЛЕМЕНТ GF80MF FILTRE ELEMANI GF80MF		ELEMENTO FILTRANTE GF80MF		WKŁAD FILTRA GF80MF		1
	65311889	ФИЛЬТРУЮЩИЙ ЭЛЕМЕНТ GF100MF FILTRE ELEMANI GF100MF		ELEMENTO FILTRANTE GF100MF		WKŁAD FILTRA GF100MF		1
5001	13020640	ФОРСУНКА DZ1000 350KG 60° M14 1-5 PÜSK. MEMESI DZ1000 350KG 60° M14 1-5		BOQUILLA DZ1000 350KG 60° M14 1-5		DYSZA DZ1000 350KG 60° M14 1-5		1
	13020641	ФОРСУНКА DZ1000 400KG 60° M14 1-5 PÜSK. MEMESI DZ1000 400KG 60° M14 1-5		BOQUILLA DZ1000 400KG 60° M14 1-5		DYSZA DZ1000 400KG 60° M14 1-5		1
	1450621478	ФОРСУНКА DZ1000 450KG 60° M14 1-5 PÜSK. MEMESI DZ1000 450KG 60° M14 1-5		BOQUILLA DZ1000 450KG 60° M14 1-5		DYSZA DZ1000 450KG 60° M14 1-5		1
	1450621489	ФОРСУНКА DZ1000 500KG 60° M14 1-5 PÜSK. MEMESI DZ1000 500KG 60° M14 1-5		BOQUILLA DZ1000 500KG 60° M14 1-5		DYSZA DZ1000 500KG 60° M14 1-5		1
	1450621490	ФОРСУНКА DZ1000 550KG 60° M14 1-5 PÜSK. MEMESI DZ1000 550KG 60° M14 1-5		BOQUILLA DZ1000 550KG 60° M14 1-5		DYSZA DZ1000 550KG 60° M14 1-5		1
	1450621503	ФОРСУНКА DZ1000 600KG 60° M14 1-5 PÜSK. MEMESI DZ1000 600KG 60° M14 1-5		BOQUILLA DZ1000 600KG 60° M14 1-5		DYSZA DZ1000 600KG 60° M14 1-5		1
	65311376	ФОРСУНКА DZ1000 375KG 60° M14 1-5 PÜSK. MEMESI DZ1000 375KG 60° M14 1-5		BOQUILLA DZ1000 375KG 60° M14 1-5		DYSZA DZ1000 375KG 60° M14 1-5		1
	65313144	ФОРСУНКА DZ1000 325KG 60° M14 1-5 PÜSK. MEMESI DZ1000 325KG 60° M14 1-5		BOQUILLA DZ1000 325KG 60° M14 1-5		DYSZA DZ1000 325KG 60° M14 1-5		1
5002	65312450	БЛОК УПРА. ВТ340 ОПРЕДЕЛ. ПАРАМ. KUTU ВТ340 ÖZEL AYAR		PROGRAMADOR BT340 CONF. ESPECÍFICA		MODUŁ BT340 SPECYFICZNE USTAWIENIE		1
	65312455	БЛОК УПРА. ВТ340 GL-EF3+БЕС.РЕГ. KUTU ВТ340 GL-EF3+FREK.DÖNÜS.		PROGRAMADOR BT340 GL-EF3+CTL.FR.		MODUŁ BT340 GL-EF3+PRZET.CZEST.		1
5010	65311362	ИСПЫТАТЕЛЬНАЯ ГОРЕЛКА С КНОПКОЙ PB2 BASMA DÜĞMESİ İLE BRÜLÖR TEST PB2		QUEIMADOR DE ENSAIO COM B. PRESSÃO PB2		PALNIK TEST Z PRZYCISKIEM PB2		1
5020	65311918	МОДУЛЬ VSM100 (LSB-M 667R0200-1) VSM100 MODÜLÜ (LSB-M 667R0200-1)		MÓDULO VSM100 (LSB-M 667R0200-1)		MODUL VSM100 (LSB-M 667R0200-1)		1
5035	65312550	ДАТЧИК NAMUR D25 SENSÖR NAMUR D25		SENSOR NAMUR D25		CZUJNIK NAMUR D25		1
5042	65311940	РЕЛЕ FIN 38.61.8.240.5060 KLL 1W FZ RÖLE FIN 38.61.8.240.5060 KLL 1W FZ		RELE FIN 38.61.8.240.5060 KLL 1W FZ		PRZEKAŹNIK FIN 38.61.8.240.5060 KLL 1WFZ		1
5100	65312302	РЕГУЛЯТОРА ДЕРЕВО 5.0 (CCW) AĞAÇ DÜZENLEMESİ 5.0 (CCW)		VEIO DE REGULAÇÃO 5.0 (CCW)		DRZEWO REGULACJA 5.0 (CCW)		1
	65312303	РЕГУЛЯТОРА ДЕРЕВО 6.0 (CCW) AĞAÇ DÜZENLEMESİ 6.0 (CCW)		VEIO DE REGULAÇÃO 6.0 (CCW)		DRZEWO REGULACJA 6.0 (CCW)		1
	65312304	РЕГУЛЯТОРА ДЕРЕВО 7.0 (CCW) AĞAÇ DÜZENLEMESİ 7.0 (CCW)		VEIO DE REGULAÇÃO 7.0 (CCW)		DRZEWO REGULACJA 7.0 (CCW)		1
	65312305	РЕГУЛЯТОРА ДЕРЕВО 8.0 (CCW) AĞAÇ DÜZENLEMESİ 8.0 (CCW)		VEIO DE REGULAÇÃO 8.0 (CCW)		DRZEWO REGULACJA 8.0 (CCW)		1
5300	65114033	РЕГУЛИРОВАНИЕ RWF 55.50A9 REGÜLATÖRÜ RWF 55.50A9		REGULADOR RWF 55.50A9		REGULATORA RWF 55.50A9		1

