



## SPARE PARTS EXPLODED VIEW GAS BURNERS

Model

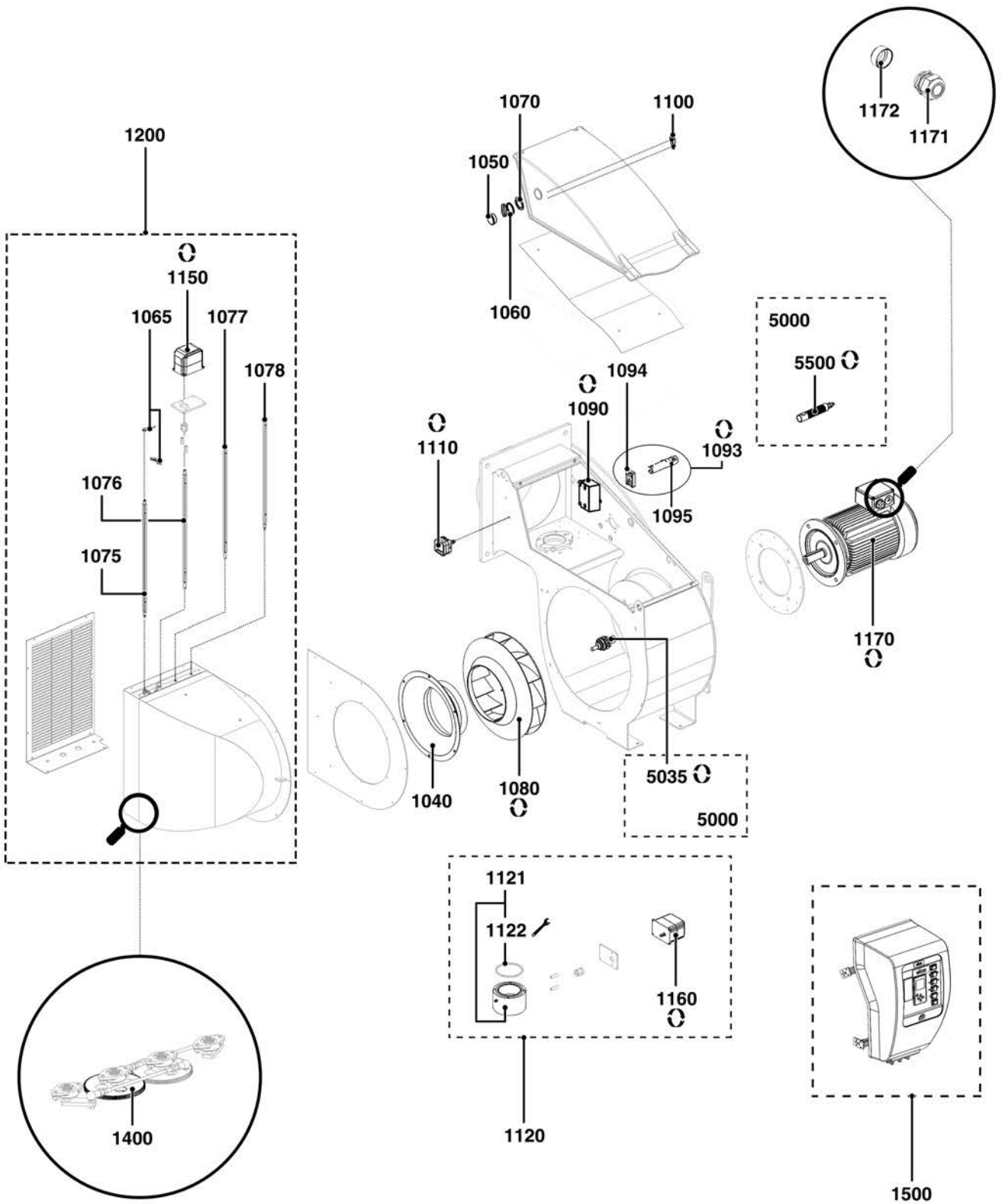
### CB-EKEVO9 G-EU2

R8220200-03 - 19/08/2019

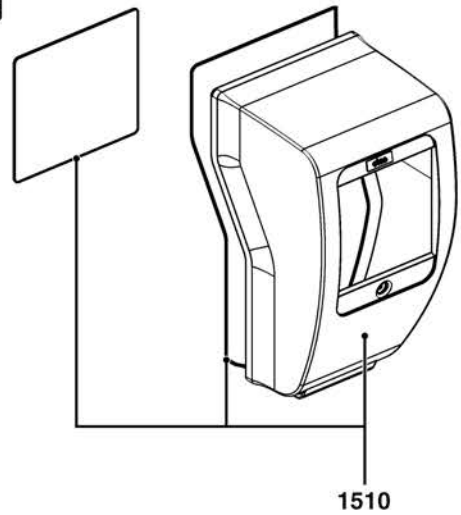
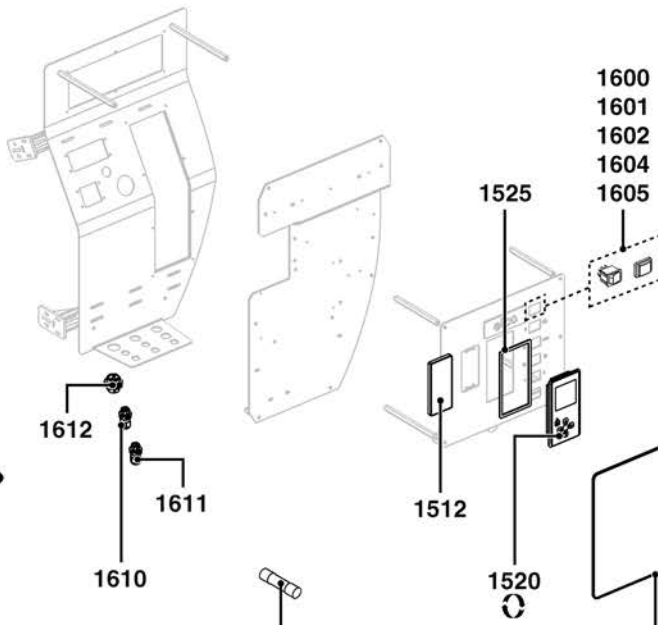
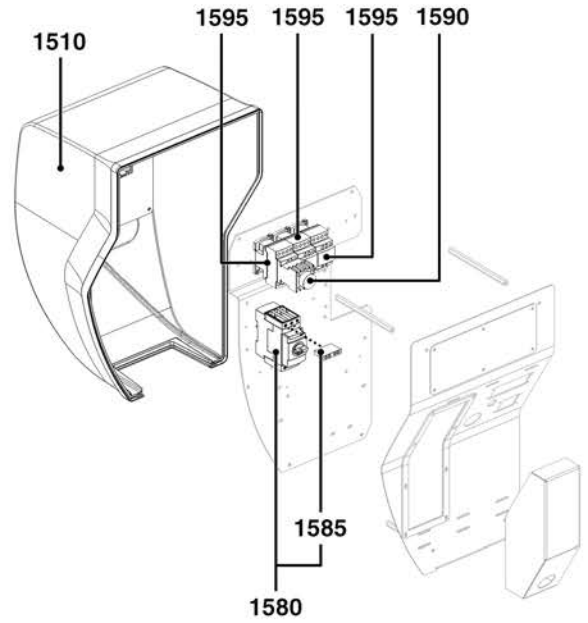
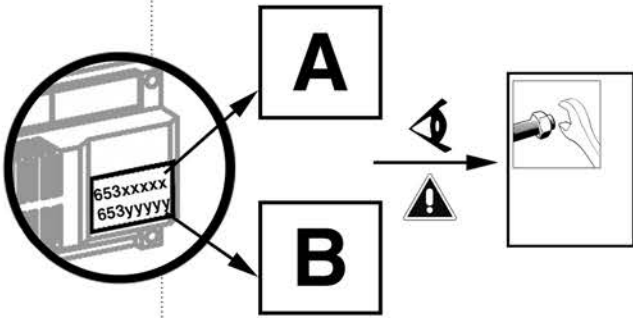
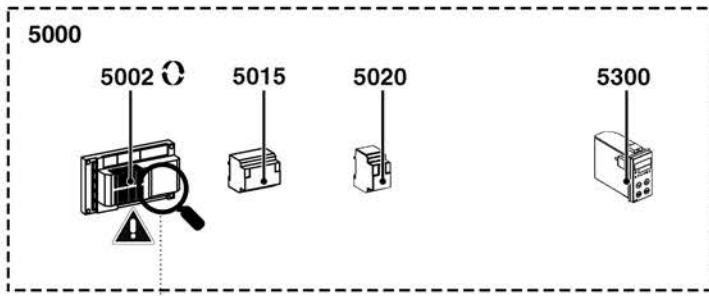
CB-EKEVO9 G-EU2

Gas burners

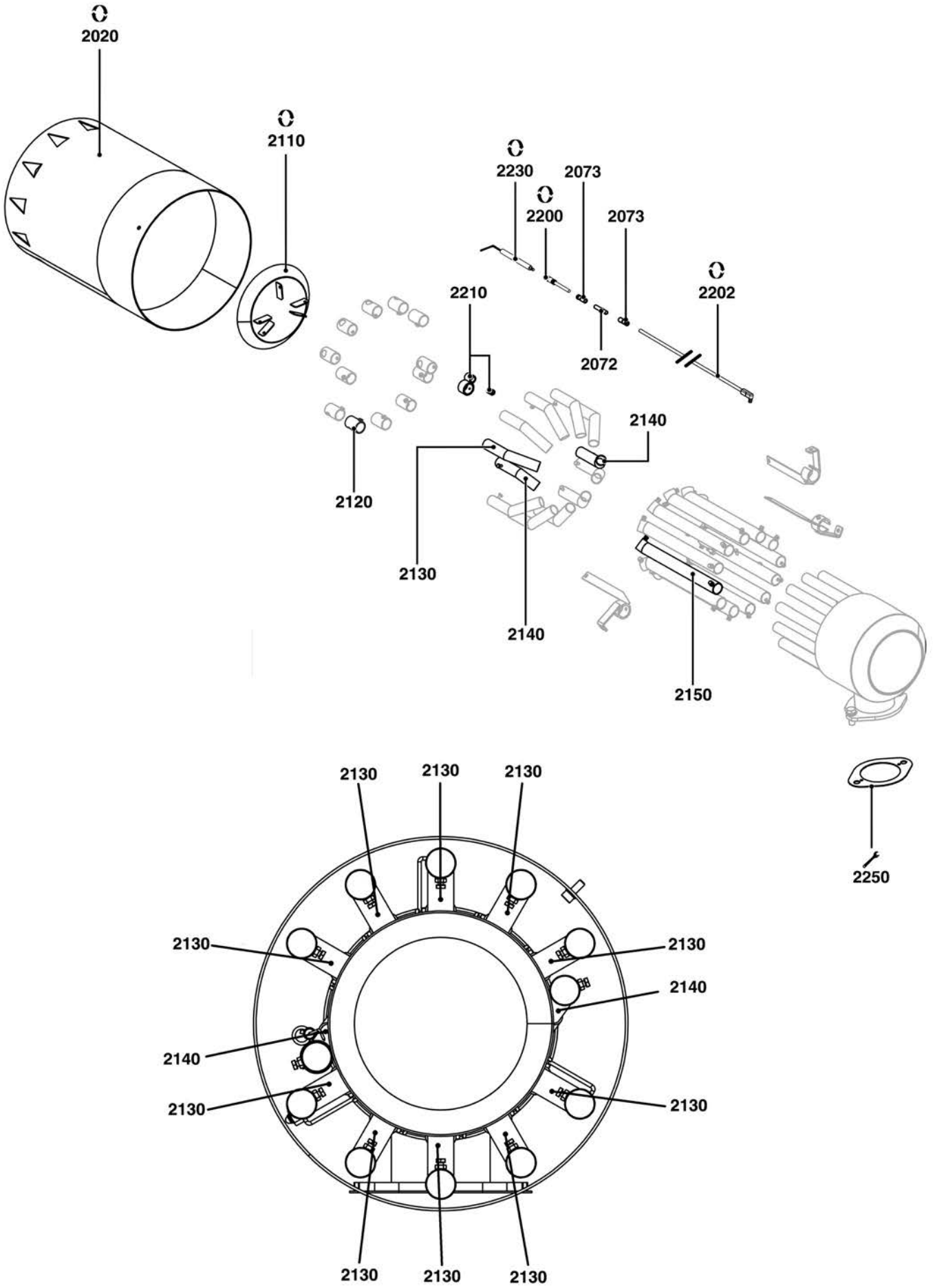
| 1   | 3755498   | EKEVO 9.13000 G-EU2/BT3/KN | 10-2016 | -   |
|-----|-----------|----------------------------|---------|-----|
| 1   | 3755499   | EKEVO 9.13000 G-EU2/BT3/KM | 11-2016 | -   |
| 1   | 3755500   | EKEVO 9.13000 G-EU2/BT3/KL | 11-2017 | -   |
| 2   | 3750539   | GT-s459-80                 | 08-2013 | -   |
| 3   | 3750540   | GT-s460-100                | 03-2014 | -   |
| 4   | 3750541   | GT-s461-125                | 06-2014 | -   |
| 5   | 3750517   | GT-d459-80                 | 03-2013 | -   |
| 6   | 3750518   | GT-d460-100                | 10-2012 | -   |
| Col | Reference | Model type                 | Begin   | End |



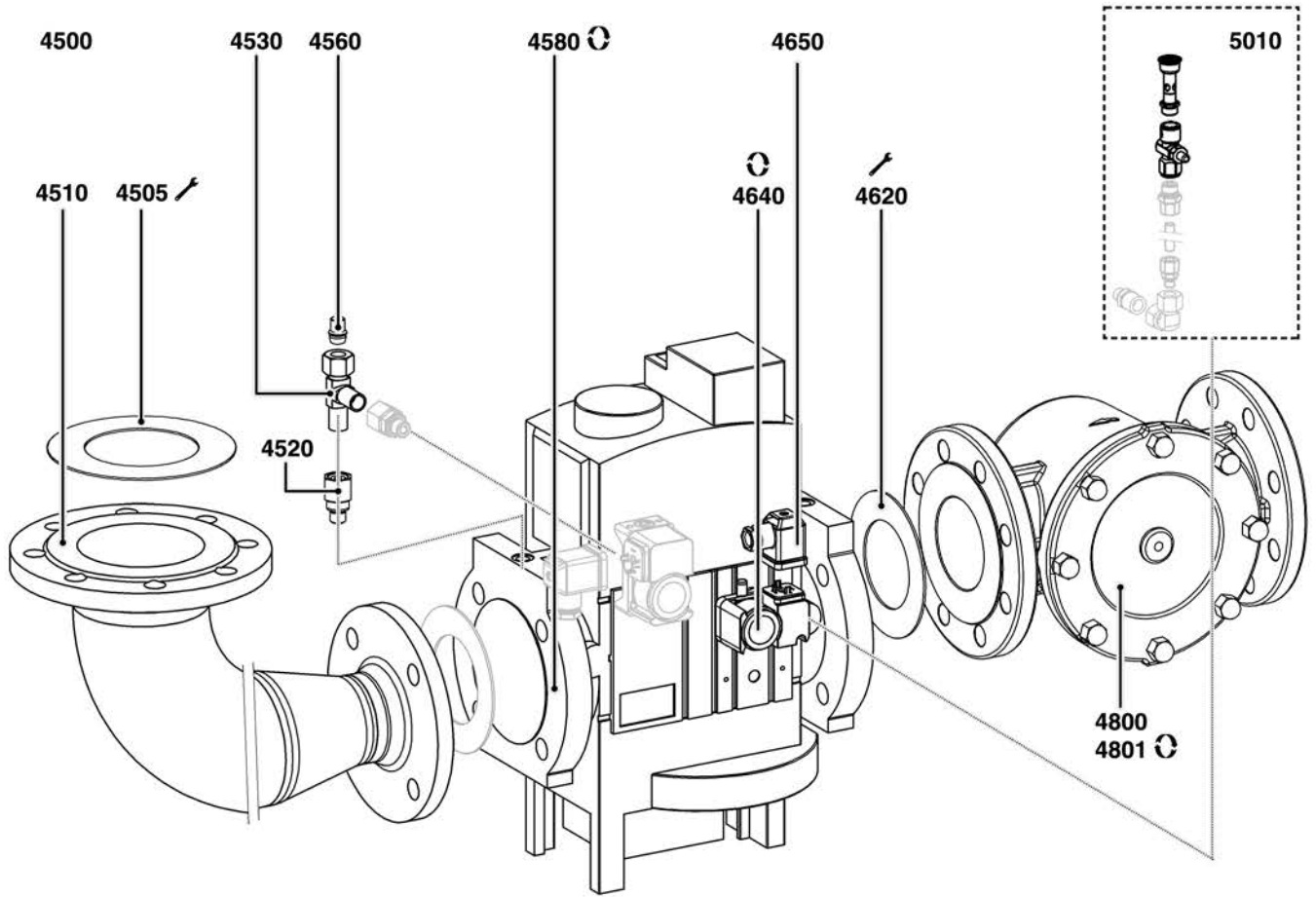
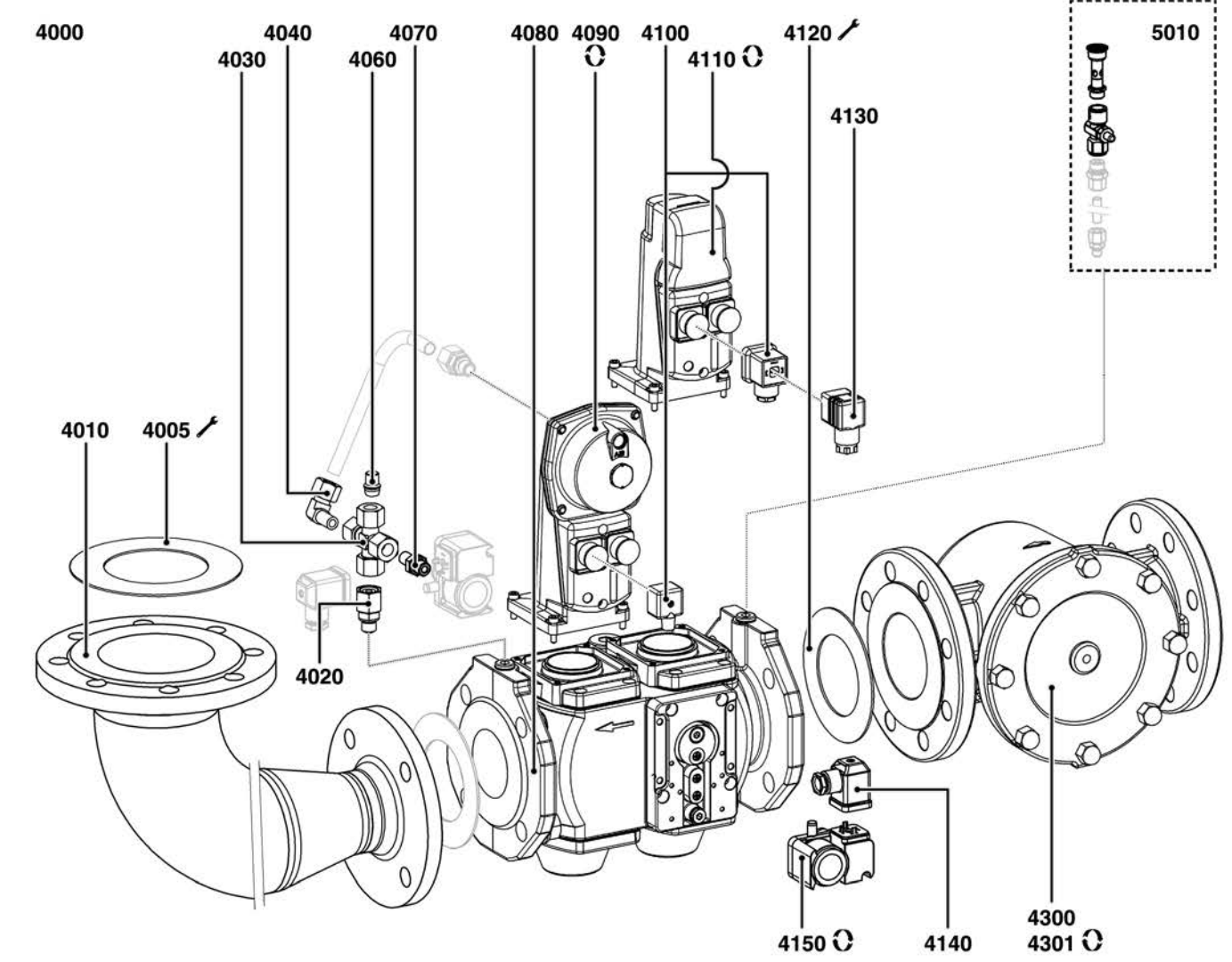














|      |            | DE<br>NL   | FR<br>ES   | IT  | X |
|------|------------|--|--|---|---|
| 1040 | 65314256   | ANSAUGTRICHTER D288 X 127<br>LUCHTINLAAT D472/408X124                                | RECYCLAGE AIR D472/408X124<br>ENTRADA DE AIRE D472/408X124                           | CONVOGLIATORE D472/408X124                | 1 |
| 1050 | 1180603227 | SCHAUGLAS F.MONOBL.KLAR D55X21<br>KIJKGLAS D55X21                                    | VERRE DE REGARD D55x21 CLAIR<br>MIRILLA INCOLORA D55X21                              | SPIONCINO INCOLORE D55X21                 | 1 |
| 1060 | 1188052260 | DECKEL D61/55/SCHAUGLASS<br>DEKSEL D61/55/KIJKGLASS                                  | COUVERCLE D61/55/VOYANT DE FLAMME<br>TAPA D61/55/VISOR                               | COPERCHIO D61/55/VISORE                   | 1 |
| 1065 | 65312849   | VERSTELLANZEIGE MIT SKALA EKEVO 8/9<br>AFSTELL-INDICATOR MET SCHAAL EKEVO 8/9        | INDICATEUR DE POSITION GRADUE EKEVO 8/9<br>INDICADOR AJUST. CON ESCALA EKEVO 8/9     | INDICATORE REGOLAZ. CON SCALA EKEVO 8/9   | 1 |
| 1070 | 1180559591 | MUTTER SCHAUGLAS M48X1,5 SW60<br>MOER/KIJKGLAS M48X1,5 SW60                          | ECROU REGARD M48X1,5 SW60<br>TUERCA/MIRILLA M48X1,5 SW60                             | DADO/SPIONCINO M48X1,5 SW60               | 1 |
| 1075 | 65313875   | WELLE / LUFTKLAPPE/ZEIGER D12X681 M8-M6<br>AS / LUCHTKLEP/WIJZER D12X681 M8-M6       | AXE / VOLET AIR/INDEX D12X681 M8-M6<br>EJE / VALV.AIRE/PUNZON D12X681 M8-M6          | PERNO / SERR.ARIA/INDICE D12X681 M8-M6    | 1 |
| 1076 | 65313877   | WELLE / STELLANTRIEB/ZAHNRAD D12X681<br>AS / REGELMOTOR/TANDWIEL D12X681             | AXE / SERVOMOTEUR/ENGRENAGE D12X681<br>EJE / SERVOMOTOR/ENGRANAJE D12X681            | PERNO / SERVOMOTORE/INGRANAGGIO D12X681   | 1 |
| 1077 | 65313876   | WELLE / LUFTKLAPPE/ZAHNRAD D12X696<br>AS / LUCHTKLEP/TANDWIEL D12X696                | AXE / VOLET AIR/ENGRENAGE D12X696<br>EJE / VALV.AIRE/ENGRANAJE D12X696               | PERNO / SERR.ARIA/INGRANAGGIO D12X696     | 1 |
| 1078 | 65313874   | WELLE / LUFTKLAPPE/HEBEL D12X670 M8<br>AS / LUCHTKLEP/HEFBOOM D12X670 M8             | AXE / VOLET AIR/LEVIER D12X670 M8<br>EJE / VALV.AIRE/PALANCA D12X670 M8              | PERNO / SERR.ARIA/LEVA D12X670 M8         | 1 |
| 1080 | 65314260   | VENTILATORRAD D710/412X80 D55<br>VENTILATORWIEL D710/412X80 D55                      | TURBINE D710/412X80 D55<br>TURBINA D710/412X80 D55                                   | VENTOLA D710/412X80 D55                   | 1 |
| 1090 | 65311471   | ZUENDTRAFU EBI 1X11 230V<br>ONTSTEKINGSTRAFO EBI 1X11 230V                           | ALLUMEUR EBI 1X11 230V<br>ENCENDEDOR EBI 1X11 230V                                   | TRASFORMATORE ACCENSIONE EBI 1X11 230V    | 1 |
| 1093 | 13012980   | FOTUZELLE QRA 2 FLANSCH+COLLAR<br>FOTOCEL QRA 2 FLENS+COLLAR                         | CELLULE QRA 2 BRIDE+COLLIER<br>CELULA QRA 2 BRIDA+COLLAR                             | FOTOCELLULA QRA 2 FLANGE+COLLAR           | 1 |
| 1094 | 65312311   | FLANSCH FOTUZELLENHALTER D22.5 ALU<br>HOUDER FOTOCEL UVZ/QRA/RAR D22.5 ALU           | SUPPORT CELLULE UVZ/QRA/RAR D22.5 ALU<br>SOPORTE CELULA UVZ/QRA/RAR D22.5 ALU        | SUPPORTO FOTOCCELL.UVZ/QRA/RAR D22.5 ALLU | 1 |
| 1095 | 65313375   | KLAMMER D22.5 ZU FOTUZELLE RAR 7/QRA 2<br>STIJGBEUGEL FOTOCEL D22.5 RAR 7/QRA 2      | ETRIER CELLULE D22.5 POUR RAR 7/QRA 2<br>ESTRIBO CELULA D22.5 PARA RAR 7/QRA 2       | STAFFA FOTOCCELLULA D22.5 PER RAR7/QRA2   | 1 |
| 1100 | 65311472   | SICHTSPIEGEL FÜR SCHAUGLAS<br>SPIEGEL/KIJKGLAS                                       | MIROIR/REGARD<br>ESPEJO/MIRILLA  | SPECCHIO/SPIONCINO                        | 1 |
| 1110 | 65311595   | DRUCKWAECHTER LGW 50 A2P 2,5-50MBAR<br>DRUKSCHAKELAAR LGW 50 A2P 2,5-50MBAR          | MANOSTAT AIR LGW 50 A2P 2,5-50MB<br>PRESOSTATO AIRE LGW 50 A2P 2,5-50MB              | PRESSOSTATO ARIA LGW 50 A2P 2,5-50MB      | 1 |
| 1120 | 65312855   | GASKLAPPE+SCHRITTMOTOR BG<br>GASKLEP+SERVOMOTOR EQ.                                  | CLAPET GAZ+SERVOMOTEUR EQ.<br>VALVULA DEL GAS+SERVOMOTOR EQ.                         | VALVOLA DEL GAS+SERVOMOTORE COMPL.        | 1 |
| 1121 | 65312853   | GASKLAPPE D162/108 L100+HEBEL<br>GASKLEP D162/108 L100+HEFBOOM                       | CLAPET GAZ D162/108 L100+LEVIER<br>VALVULA DE GAS D162/108 L100+PALANCA              | VALVOLA FARFALLA D162/108 L100+LEVA       | 1 |
| 1122 | 65323999   | O-RING 8475 D120,00X6,99<br>O-RING 8475 D120,00X6,99                                 | O-RING 8475 D120,00X6,99<br>O-RING 8475 D120,00X6,99                                 | O-RING 8475 D120,00X6,99                  | 1 |
| 1150 | 65311650   | STELLANTRIEB STE 4,5 Q3.51/6+KABEL L3000<br>SERVOMOTOR STE 4,5 Q3.51/6+KABEL L3000   | SERVOMOTEUR STE 4,5 Q3.51/6+CABLE L3000<br>SERVOMOTOR STE 4,5 Q3.51/6+CABLE L3000    | SERVOMOTORE STE 4,5 Q3.51/6+CAVO L3000    | 1 |
| 1160 | 65311650   | STELLANTRIEB STE 4,5 Q3.51/6+KABEL L3000<br>SERVOMOTOR STE 4,5 Q3.51/6+KABEL L3000   | SERVOMOTEUR STE 4,5 Q3.51/6+CABLE L3000<br>SERVOMOTOR STE 4,5 Q3.51/6+CABLE L3000    | SERVOMOTORE STE 4,5 Q3.51/6+CAVO L3000    | 1 |
| 1170 | 65326337   | MOTOR 37KW 400/690V D55 IE3 ELV SCHWARZ<br>MOTOR 37KW 400/690V D55 IE3 ELV ZWART     | MOTEUR 37KW 400/690V D55 IE3 ELV NOIR<br>MOTOR 37KW 400/690V D55 IE3 ELV NEGRO       | MOTORE 37KW 400/690V D55 IE3 ELV NERO     | 1 |
| 1171 | 65311934   | KABELVERSCHRAUBUNG M.RED. M40X1,5 SW<br>PAKKINGBUS M40X1,5                           | PRESSE ETOUPE A VIS M40X1,5<br>PRENSAESTOPAS M40X1,5                                 | PREMISTOPPA A VIS M40X1,5                 | 1 |
| 1172 | 65312850   | KABELVERSCHRAUBUNG ERW. M32-M40<br>KABELSCHROEFVERBIND. ADAPTER M32-M40              | AMPLIFIC. PRESSE-ETOUPE M32-M40<br>EXTENSION PRENSAESTOPAS M32-M40                   | ESTENS. PRESSACAVO M32-M40                | 1 |
| 1200 | 65312856   | LUFTKASTEN 700X765X441+STELLANTRIEB BG.<br>LUCHTKAST 700X765X441+REGELMOTOR BG.      | BOITE A AIR 700X765X441+SERVOMOTEUR CPL.<br>CAJA DE AIRE 700X765X441+SERVOMOTOR CPL. | CASSA ASPIR.ARIA 700X765X441+SERVO. CPL.  | 1 |
| 1400 | 65312848   | ZAHNRAD Z=100 M=1 BO=12MM EKEVO8/9<br>TANDWIEL Z=100 M=1 BO=12MM EKEVO8/9            | ROUE DENTEE Z=100 M=1 BO=12MM EKEVO8/9<br>RUEDA DENTADA Z=100 M=1 BO=12MM EKEVO8/9   | RUOTA DENTATA Z=100 M=1 BO=12MM EKEVO8/9  | 1 |
| 1510 | 65312340   | DECKEL 374X621X331/SCHALTSCHRANK EKEVO<br>DEKSEL 374X621X331/ELEKTRIS.KAST EKEVO     | COUVERCLE 374X621X331/ARMOIRE ELEC.EKEVO<br>TAPA 374X621X331/ARMARIO ELECTRICO EKEVO | COPERCHIO 374X621X331/QUADRO ELETT.EKEVO  | 1 |
| 1512 | 65312338   | BLINDDECKEL/REGLER 92X45 IP54<br>AFSLUITER/REGELAAR 92X45 IP54                       | OBTURATEUR REGULATEUR 92X45 IP54<br>CONJUNTO/REGULADOR 92X45 IP54                    | OTTURATORE/REGOLATORE 92X45 IP54          | 1 |
| 1520 | 65326869   | ANZEIGE FÜR FEUERUNGSAUTOMAT BT3XX<br>DISPLAY VOOR BRANDERAUTOMAAT BT3XX             | AFFICHEUR POUR COFFRET BT3XX<br>PANTALLA PARA PROGRAMADOR BT3XX                      | DISPLAY PER APPARECCHIATURA BT3XX         | 1 |
| 1525 | 65311364   | DICHTUNG/ANZEIGE 152/140X80/70X2<br>PAKKING/DISPLAY 152/140X80/70X2                  | JOINT/AFFICHEUR 152/140X80/70X2<br>JUNTA/PANTALLA 152/140X80/70X2                    | GUARNIZIONE/DISPLAY 152/140X80/70X2       | 1 |
| 1530 | 65314141   | FEUERUNGSAUTOMAT BT320 9.13000 G-EU2<br>BRANDERAUTOMAAT BT320 9.13000 G-EU2          | COFFRET BT320 9.13000 G-EU2<br>PROGRAMADOR BT320 9.13000 G-EU2                       | APPARECCHIATURA BT320 9.13000 G-EU2       | 1 |
| 1557 | 65313850   | SICHERUNG 6,3A(KERAM.)<br>ZEKERING 6,3A (CERAMIC)                                    | FUSIBLE 6.3A (CERAMIQUE)<br>FUSIBLE 6.3A (CERAMIC)                                   | FUSIBILE 6.3A (CERAMIC)                   | 1 |
| 1580 | 65314258   | MOTORSCHUTZSCHALTER SCH 37KW GV3ME80<br>VERMOGENSCHAKEL. MOTOR SCH 37KW GV3ME80      | DISJONCTEUR MOTEUR SCH 37KW GV3ME80<br>INTERRUPTOR MOTOR SCH 37KW GV3ME80            | INTERRUTTORE MOTORE SCH 37KW GV3ME80      | 1 |
|      | 65314439   | MOTORSCHUTZSCHALT.SCH 37KW GV3P73+GVAE11<br>VERMOGENSCHAK.MOT.SCH 37KW GV3P73+GVAE11 | DISJONCTEUR MOT. SCH 37KW GV3P73+GVAE11<br>INTERRUPTOR MOTOR SCH 37KW GV3P73+GVAE11  | INTERRUTT.MOTORE SCH 37KW GV3P73+GVAE11   | 1 |
| 1585 | 65311795   | HILFSSCHALTER GVAE11<br>HULPSCHAKELAAR GVAE11  | CONTACT AUXILIAIRE GVAE11<br>INTERRUPTOR AUXILIAR GVAE11                             | INTERRUTTORE AUSILIARIO GVAE11            | 1 |
|      | 65314257   | HILFSSCHALTER SCH GV3A01<br>HULPSCHAKELAAR SCH GV3A01                                | CONTACT AUXILIAIRE SCH GV3A01<br>INTERRUPTOR AUXILIAR SCH GV3A01                     | INTERRUTTORE AUSILIARIO SCH GV3A01        | 1 |

|      |            | DE   | FR   | IT                                       |   |
|------|------------|--|--|--|---|
|      |            | NL   | ES   |  |   |
| 1590 | 65314261   | ZEITRELAIS SCH LAD9SD3<br>TIJDSCHAKELAAR SCH LAD9SD3                                 | TEMPORISATEUR SCH LAD9SD3<br>TEMPORIZADOR SCH LAD9SD3                                | TEMPORIZZATORE SCH LAD9SD3               | 1 |
| 1595 | 65314259   | SCHUTZ SCH LC1D40A<br>CONTACT SCH LC1D40A  | CONTACTEUR SCH LC1D40A<br>CONTACTOR SCH LC1D40A                                      | CONTATTORE SCH LC1D40A                   | 1 |
| 1600 | 65312334   | BRENNERSCHRANK KONTROLLEUCHE<br>CONTROLELAMPJE ELEKTRISCHE KAST                      | VOYANT ARMOIRE ELECTRIQUE<br>TESTIGO ARMARIO ELÉCTRICO                               | SPIA ARMADIO ELETTRICO                   | 1 |
| 1601 | 65312335   | 2-STELL. KIPPSCHALTER<br>SCHAKELAAR 2 POS.   | INTERRUPTEUR 2 POS.<br>INTERRUPTOR 2 POS.  | INTERRUTTORE 2 POS.                      | 1 |
| 1602 | 65312336   | 3-STELL. KIPPSCHALTER<br>SCHAKELAAR 3 POS.   | INTERRUPTEUR 3 POS.<br>INTERRUPTOR 3 POS.  | INTERRUTTORE 3 POS.                      | 1 |
| 1604 | 65312337   | 2-STELL. DRUCKSCHALTER<br>MOMENTANE SCHAKELAAR 2 POS.                                | INTERRUPTEUR 2 POS. INSTANTANE<br>INTERRUPTOR DE ACCIÓN INSTANTÁN. 2 POS.            | INTERRUTTORE 2 POS. Istantanea           | 1 |
| 1605 | 65312341   | BLINDECKEL/BRENNERSCHRANKHAUBE<br>AFSLUITER/KAP ELEKTRISCHE KAST                     | OBTURATEUR/ARMOIRE ELECTRIQUE<br>CONJUNTO/CUBIERTA ARMARIO ELÉCTRICO                 | OTTURATORE/COPERCHIO ARMADIO ELETTR.     | 1 |
| 1610 | 65311758   | KABELVERSCHRAUBUNG M20<br>PAKKINGBUS M20   | PRESSE-ETOUBE M20<br>PRENSAESTOPAS M20   | PREMISTOPPA M20                          | 1 |
| 1611 | 65311451   | KABELVERSCHRAUBUNG M16<br>PAKKINGBUS M16   | PRESSE-ETOUBE M16<br>PRENSAESTOPAS M16   | PREMISTOPPA M16                          | 1 |
| 1612 | 65312852   | KABELVERSCHRAUBUNG CLICK M25<br>PAKKINGBUS CLICK M25                                 | PRESSE-ETOUBE CLICK M25<br>PRENSAESTOPAS CLICK M25                                   | PREMISTOPPA CLICK M25                    | 1 |
| 1700 | 65311446   | WAG BETAETIGUNGSWERKZEUG 2009-309<br>BEDIENINGSGEREEDSCHAP WAG 2009-309              | OUTIL DE MANOEUVRE WAG 2009-309<br>HERRAMIENTA D.ACCIONAM. WAG 2009-309              | DISPOSITIVO DI MANOVRA WAG 2009-309      | 1 |
| 2020 | 65314263   | FLAMMENROHR D431.5 L605<br>BRANDERBUIJS D431.5 L605                                  | TUBE DE FLAMME D431.5 L605<br>TUBO DE LLAMA D431.5 L605                              | BOCCAGLIO D431.5 L605                    | 1 |
|      | 65314264   | FLAMMENROHR D431.5 L755<br>BRANDERBUIJS D431.5 L755                                  | TUBE DE FLAMME D431.5 L755<br>TUBO DE LLAMA D431.5 L755                              | BOCCAGLIO D431.5 L755                    | 1 |
|      | 65314265   | FLAMMENROHR D431.5 L905<br>BRANDERBUIJS D431.5 L905                                  | TUBE DE FLAMME D431.5 L905<br>TUBO DE LLAMA D431.5 L905                              | BOCCAGLIO D431.5 L905                    | 1 |
| 2072 | 13013226   | ENTSTOERMUFFE HE1 1KOHM D10X52.5<br>ONTSTOORST.ONTSTEKINGSKAB.1KOHM D10X52.5         | RESISTANCE ANTI-PARASITE 1KOHM D10X52.5<br>RESIST.SUPRES.INTERFEREN. 1KOHM D10X52.5  | RESISTORE ANTIRADIODIST. 1KOHM D10X52.5  | 1 |
| 2073 | 3333113582 | TÜLLE ZU ZUENDKABEL D6 ELEKTRODE D7<br>PAKKINGRING ONTSTEKINGSKAB.D6 ELEKTR. D7      | DOUILLE CABLE ALLUMAGE D6 ELECTRODE D7<br>ARANDELA CABLE ENCENDIDO D6 ELECTRODO D7   | BECCUCCIO CAVO ACCENSIONE D6 ELETTROD.D7 | 1 |
| 2110 | 65314262   | STAUSCHEIBE D199/260<br>STUWPLAAT D199/260   | DEFLECTEUR D199/260<br>DEFLECTOR D199/260  | DIFFUSORE D199/260                       | 1 |
| 2120 | 1688737664 | GASDUESE D35 L50 BO.D20<br>GAS VERSPREIDER D35 L50 BO.D20                            | DIFFUSEUR GAZ D35 L50 PERC.D20<br>DIFUSOR GAS D35 L50 PERF.D20                       | INIETTORE GAS D35 L50 FORO D20           | 1 |
| 2130 | 65312490   | GASDUESE D30 L105/100 45°<br>GAS VERSPREIDER D30 L105/100 45°                        | DIFFUSEUR GAZ D30 L105/100 45°<br>DIFUSOR GAS D30 L105/100 45°                       | INIETTORE GAS D30 L105/100 45°           | 1 |
| 2140 | 65312491   | GASDUESE D30 L100/70 45°<br>GAS VERSPREIDER D30 L100/70 45°                          | DIFFUSEUR GAZ D30 L100/70 45°<br>DIFUSOR GAS D30 L100/70 45°                         | INIETTORE GAS D30 L100/70 45°            | 1 |
| 2150 | 65314266   | GASROHR L350<br>GASBUIJS L350  | TUBE GAZ L350<br>TUBERIA GAS L350  | TUBO GAS L350                            | 1 |
|      | 65314267   | GASROHR L500<br>GASBUIJS L500  | TUBE GAZ L500<br>TUBERIA GAS L500  | TUBO GAS L500                            | 1 |
|      | 65314268   | GASROHR L650<br>GASBUIJS L650  | TUBE GAZ L650<br>TUBERIA GAS L650  | TUBO GAS L650                            | 1 |
| 2200 | 65311388   | ZÜNDKABEL D4 L50<br>ONTSTEKINGSKABEL D4 L50  | CABLE ALLUMAGE D4 L50<br>CABLE ENCENDIDO D4 L50                                      | CAVO ACCENSIONE D4 L50                   | 1 |
| 2202 | 65314116   | ZUENDKABEL D7 L2M<br>ONTSTEKINGSKABEL D7 L2M   | CABLE ALLUMAGE D7 L2M<br>CABLE ENCENDIDO D7 L2M                                      | CAVO ACCENSIONE D7 L2M                   | 1 |
| 2210 | 65314088   | ELEKTRODENHALTER D38/D30 D14 L25<br>ELEKTRODENSTEUN D38/D30 D14 L25                  | SUPPORT ELECTRODE D38/D30 D14 L25<br>SOPORTE ELECTRODO D38/D30 D14 L25               | SUPPORTO ELETTRODO D38/D30 D14 L25       | 1 |
| 2230 | 65314090   | ZUENDELEKTRODE D11X100 D6,4 D2,5L29 155°<br>ONTSTEKINGSPEN D11X100 D6,4 D2,5L29 155° | ELECTRODE ALL.D11X100 D6,4 D2,5 L29 155°<br>ELECTRODO ENC.D11X100 D6,4 D2,5 L29 155° | ELETTRODO ACC.D11X100 D6,4 D2,5 L29 155° | 1 |
| 2250 | 65311713   | DICHTUNG/OVAL FLANSCH 210X160X2 D116<br>PAKKING/OVAL FLENS 210X160X2 D116            | JOINT/BRIDE OVALE 210X160X2 D116<br>JUNTA/OVAL BRIDA 210X160X2 D116                  | GUARNIZIONE/OVAL FLANGIA 210X160X2 D116  | 1 |
| 4005 | 65311613   | DICHTUNG/GASSTRECKE D162/115X2 DN100<br>PAKKING/GASSTRAAT D162/115X2 DN100           | JOINT/RAMPE GAZ D162/115X2 DN100<br>JUNTA/RAMPA DE GAS D162/115X2 DN100              | GUARNIZIONE/RAMPA GAS D162/115X2 DN100   | 1 |
| 4010 | 65311675   | GASANSCHLUSSROHR DN100/DN80 L400 90°<br>GASAANSLUITBUIJS DN100/DN80 L400 90°         | COLLECTEUR GAZ DN100/DN80 L400 90°<br>COLECTOR DE GAS DN100/DN80 L400 90°            | COLLETORE GAS DN100/DN80 L400 90°        | 1 |
|      | 65311676   | GASANSCHLUSSROHR DN100/DN100 L400 90°<br>GASAANSLUITBUIJS DN100/DN100 L400 90°       | COLLECTEUR GAZ DN100/DN100 L400 90°<br>COLECTOR DE GAS DN100/DN100 L400 90°          | COLLETORE GAS DN100/DN100 L400 90°       | 1 |
|      | 65311677   | GASANSCHLUSSROHR DN100/DN125 L400 90°<br>GASAANSLUITBUIJS DN100/DN125 L400 90°       | COLLECTEUR GAZ DN100/DN125 L400 90°<br>COLECTOR DE GAS DN100/DN125 L400 90°          | COLLETORE GAS DN100/DN125 L400 90°       | 1 |
| 4020 | 65311601   | GERADE-EINSCHRAUBSTUT.P-EGES 12L/R 1/4WD<br>RECHTE AANSLUITING P-EGES 12L/R 1/4WD    | RACCOR DROIT P-EGES 12L/R 1/4WD<br>RACOR RECTO P-EGES 12L/R 1/4WD                    | RACCORD DESTRO P-EGES 12L/R 1/4WD        | 1 |
| 4030 | 65311608   | EINSTELLB.WINKELVERSCHR.P-EWV12L-SV<br>AANSLUITING (ELLEBOOG) P-EWV12L-SV            | RACCOR COUDE P-EWV12L-SV<br>RACOR (CODO) P-EWV12L-SV                                 | RACCORD CURVA P-EWV12L-SV                | 1 |
| 4040 | 65311605   | KREUZVERSCHR.P-KV12L<br>AANSLUITING P-KV12L  | RACCOR P-KV12L<br>RACOR P-KV12L  | RACCORD P-KV12L                          | 1 |
| 4060 | 65311607   | STOPFEN D15/10X21 VSD 12L/S O.M.MB<br>STOP D15/10X21 VSD 12L/S O.M.MB                | BOUCHON D15/10X21 VSD 12L/S O.M.MB<br>TAPÓN D15/10X21 VSD 12L/S O.M.MB               | TAPPO D15/10X21 VSD 12L/S O.M.MB         | 1 |

|      |  |     | DE<br>NL | FR<br>ES   | IT                                       |  |
|------|---|--|----------|--|--|---|
| 4070 | 65311601  | GERADE-EINSCHRAUBSTUT.P-EGES 12L/R 1/4WD<br>RECHTE AANSLUITING P-EGES 12L/R 1/4WD    |          | RACCORD DROIT P-EGES 12L/R 1/4WD<br>RACOR RECTO P-EGES 12L/R 1/4WD                   | RACCORDO DESTRO P-EGES 12L/R 1/4WD       | 1   |
| 4080 | 65311453  | GAS-MV VGD 40.125 DN125 PN16 X 400 MM<br>GASKLEP VGD40 125 DN125                     |          | VANNE GAZ VGD40 125 DN125<br>VALVULA GAS VGD40 125 DN125                             | VALVOLA GAS VGD40 125 DN125              | 1   |
|      | 65311583  | GAS-MV VGD 40.080 DN80 X 310MM<br>GASKLEP VGD40 080 DN80                             |          | VANNE GAZ VGD40 080 DN80<br>VALVULA GAS VGD40 080 DN80                               | VALVOLA GAS VGD40 080 DN80               | 1   |
|      | 65311590  | GAS-MV VGD 40.100 DN100 X 350 MM<br>GASKLEP VGD40 100, DN100X350MM                   |          | VANNE GAZ VGD40 100 DN100<br>VALVULA GAS VGD40 100 DN100                             | VALVOLA GAS VGD40 100 DN100              | 1   |
| 4090 | 65107100  | STELLANTRIEB SKP25.003E2 O. ENDSCHALTER<br>REGELMOT. GAS SKP25.003E2 Z.EINDSCHALTE   |          | SERVOMOT. GAZ SKP25.003E2 S.FIN COURSE<br>SERVOMOTOR SKP25.003 E2 SIN FIN CARRERA    | SERVOMOT. GAS SKP25.003E2 S.FINE CORSA   | 1   |
| 4100 | 65311585  | KABEL ANSCHLUSS AGA 62 STCK DIN L270<br>KABEL CONNECT AGA 62 STCK DIN L270           |          | CABLE CONNECT. AGA 62 PRISE DIN L270<br>CABLE DE CONEXION AGA 62 TOMA DIN L270       | CAVO COLLEGA AGA 62 PRESA DIN L270       | 1   |
| 4110 | 1478836180  | STELLANTRIEB SKP 15.000E2 O. ENDSCHALTER<br>REGELMOTOR GAS SKP15.000E2 Z.EINDSCHALTE |          | SERVOMOT.GAZ SKP15.000E2 SANS FIN COURSE<br>SERVOMO. GAS SKP15.000E2 SIN FIN CARRERA | SERVOMOT.GAS SKP15.000E2 SENZ.FINE CORSA | 1   |
| 4120 | 65311612  | DICHTUNG/GASSTRECKE D142/90X2 DN80<br>PAKKING/GASSTRAAT D142/90X2 DN80 PN16          |          | JOINT/RAMPE GAZ D142/90X2 DN80<br>JUNTA/RAMPA DE GAS D142/90X2 DN80                  | GUARNIZIONE/RAMPA GAS D142/90X2 DN80     | 1   |
|      | 65311613  | DICHTUNG/GASSTRECKE D162/115X2 DN100<br>PAKKING/GASSTRAAT D162/115X2 DN100           |          | JOINT/RAMPE GAZ D162/115X2 DN100<br>JUNTA/RAMPA DE GAS D162/115X2 DN100              | GUARNIZIONE/RAMPA GAS D162/115X2 DN100   | 1   |
|      | 65311614  | DICHTUNG/GASSTRECKE D192/141X2 DN125<br>PAKKING/GASSTRAAT D192/141X2 DN125           |          | JOINT/RAMPE GAZ D192/141X2 DN125<br>JUNTA/RAMPA DE GAS D192/141X2 DN125              | GUARNIZIONE/RAMPA GAS D192/141X2 DN125   | 1   |
| 4130 | 65311586  | LEITUNGSDOSE AGA 64/SKP ANTRIEB<br>STEKKER SIEM AGA 64/SKP REGELMOTOR                |          | PRISE SIEM AGA 64/SERVOMOTEUR SKP<br>TOMA SIEM AGA 64/SKP SERVOMOTOR                 | CONNETTORE SIEM AGA 64/SERVOMOTORE SKP   | 1   |
| 4140 | 65311615  | STECKER HIRSCH GDMW3011 WITH SKIRT<br>STEKKER HIRSCH GDMW3011 WITH SKIRT             |          | PRISE HIRSCH GDMW3011 WITH SKIRT<br>ENCHULE HIRSCH GDMW3011 WITH SKIRT               | CONNETTORE HIRSCH GDMW3011 WITH SKIRT    | 1   |
| 4150 | 65310852  | DRUCKWAECHTER GW 500 A5 (30-500MBAR)<br>GASDRUKSCHAKELAAR GW 500 A5 30-500MB         |          | MANOSTAT GAZ GW 500 A5 30-500MB<br>PRESOSTATO GAS GW 500 A5 30-500MB                 | PRESSOSTATO GAS GW 500 A5 30-500MB       | 1   |
|      | 65323022  | GASDRUCKWAECHTER GW 150 A6 5-150 MB DIN<br>GASDRUKSCHAKELAAR GW 150 A6 5-150MB DIN   |          | MANOSTAT GAZ GW 150 A6 5-150MB DIN<br>PRESOSTATO GAS GW 150 A6 5-150MB DIN           | PRESSOSTATO GAS GW 150 A6 5-150MB DIN    | 1   |
| 4300 | 65311461  | GASFILTER GF80MF-2424-A-1 DN80 1BAR<br>GASFILTER GF80MF-2424-A-1 DN80 1BAR           |          | FILTRE GAZ GF80MF-2424-A-1 DN80 1BAR<br>FILTRO GAS GF80MF-2424-A-1 DN80 1BAR         | FILTRO GAS GF80MF-2424-A-1 DN80 1BAR     | 1   |
|      | 65311462  | GASFILTER GF100MF-3232-A-1 DN100 1BAR<br>GASFILTER GF100MF-3232-A-1 DN100 1BAR       |          | FILTRE GAZ GF100MF-3232-A-1 DN100 1BAR<br>FILTRO GAS GF100MF-3232-A-1 DN100 1BAR     | FILTRO GAS GF100MF-3232-A-1 DN100 1BAR   | 1   |
|      | 65311463  | GASFILTER GF125MF-4040-A-1 DN125 1BAR<br>GASFILTER GF125MF-4040-A-1 DN125 1BAR       |          | FILTRE GAZ GF125MF-4040-A-1 DN125 1BAR<br>FILTRO GAS GF125MF-4040-A-1 DN125 1BAR     | FILTRO GAS GF125MF-4040-A-1 DN125 1BAR   | 1   |
| 4301 | 65311888  | FILTEREINSATZ GF 80 MF<br>FILTERELEMENT GF 80 MF                                     |          | ELEMENT FILTRANT GF 80 MF<br>ELEMENTO FILTRANTE GF 80 MF                             | ELEMENTO FILTRANTE GF 80 MF              | 1   |
|      | 65311889  | FILTEREINSATZ GF 100 MF<br>FILTERELEMENT GF 100 MF                                   |          | ELEMENT FILTRANT GF 100 MF<br>ELEMENTO FILTRANTE GF 100 MF                           | ELEMENTO FILTRANTE GF 100 MF             | 1   |
|      | 65311890  | FILTEREINSATZ GF 125 MF<br>FILTERELEMENT GF 125 MF                                   |          | ELEMENT FILTRANT GF 125 MF<br>ELEMENTO FILTRANTE GF 125 MF                           | ELEMENTO FILTRANTE GF 125 MF             | 1   |
| 4505 | 65311613  | DICHTUNG/GASSTRECKE D162/115X2 DN100<br>PAKKING/GASSTRAAT D162/115X2 DN100           |          | JOINT/RAMPE GAZ D162/115X2 DN100<br>JUNTA/RAMPA DE GAS D162/115X2 DN100              | GUARNIZIONE/RAMPA GAS D162/115X2 DN100   | 1   |
| 4510 | 65311675  | GASANSCHLUSSROHR DN100/DN80 L400 90°<br>GASAANSLUITBUIJS DN100/DN80 L400 90°         |          | COLLECTEUR GAZ DN100/DN80 L400 90°<br>COLECTOR DE GAS DN100/DN80 L400 90°            | COLLETORE GAS DN100/DN80 L400 90°        | 1   |
|      | 65311676  | GASANSCHLUSSROHR DN100/DN100 L400 90°<br>GASAANSLUITBUIJS DN100/DN100 L400 90°       |          | COLLECTEUR GAZ DN100/DN100 L400 90°<br>COLECTOR DE GAS DN100/DN100 L400 90°          | COLLETORE GAS DN100/DN100 L400 90°       | 1   |
| 4520 | 65311601  | GERADE-EINSCHRAUBSTUT.P-EGES 12L/R 1/4WD<br>RECHTE AANSLUITING P-EGES 12L/R 1/4WD    |          | RACCORD DROIT P-EGES 12L/R 1/4WD<br>RACOR RECTO P-EGES 12L/R 1/4WD                   | RACCORDO DESTRO P-EGES 12L/R 1/4WD       | 1   |
| 4530 | 65311344  | T-VERSCHRAUBUNG P-TV 12 L<br>T-STUK P-TV 12 L  |          | RACCORD EN T P-TV 12 L<br>RACOR EN T P-TV 12 L                                       | RACCORDO A T P-TV 12 L                   | 1   |
| 4560 | 65311607  | STOPFEN D15/10X21 VSD 12L/S O.M.MB<br>STOP D15/10X21 VSD 12L/S O.M.MB                |          | BOUCHON D15/10X21 VSD 12L/S O.M.MB<br>TAPÓN D15/10X21 VSD 12L/S O.M.MB               | TAPPO D15/10X21 VSD 12L/S O.M.MB         | 1   |
| 4580 | 65311845  | GASVENTIL MBC-3100-SE DN80 40-80MBAR<br>GASKLEP MBC3100 SE DN80 40-80 MBAR           |          | VANNE GAZ MBC3100 SE DN80 40-80 MBAR<br>VALVULA GAS MBC3100 SE DN80 40-80 MBAR       | VALVOLA GAS MBC3100 SE DN80 40-80 MBAR   | 1   |
|      | 65311846  | GASVENTIL MBC-5000-SE DN100 40-80MBAR<br>GASKLEP MBC5000 SE DN100 40-80 MBAR         |          | VANNE GAZ MBC5000 SE DN100 40-80 MBAR<br>VALVULA GAS MBC5000 SE DN100 40-80 MBAR     | VALVOLA GAS MBC5000 SE DN100 40-80 MBAR  | 1   |
| 4620 | 65311612  | DICHTUNG/GASSTRECKE D142/90X2 DN80<br>PAKKING/GASSTRAAT D142/90X2 DN80 PN16          |          | JOINT/RAMPE GAZ D142/90X2 DN80<br>JUNTA/RAMPA DE GAS D142/90X2 DN80                  | GUARNIZIONE/RAMPA GAS D142/90X2 DN80     | 1   |
|      | 65311613  | DICHTUNG/GASSTRECKE D162/115X2 DN100<br>PAKKING/GASSTRAAT D162/115X2 DN100           |          | JOINT/RAMPE GAZ D162/115X2 DN100<br>JUNTA/RAMPA DE GAS D162/115X2 DN100              | GUARNIZIONE/RAMPA GAS D162/115X2 DN100   | 1   |
| 4640 | 65310852  | DRUCKWAECHTER GW 500 A5 (30-500MBAR)<br>GASDRUKSCHAKELAAR GW 500 A5 30-500MB         |          | MANOSTAT GAZ GW 500 A5 30-500MB<br>PRESOSTATO GAS GW 500 A5 30-500MB                 | PRESSOSTATO GAS GW 500 A5 30-500MB       | 1   |
|      | 65323022  | GASDRUCKWAECHTER GW 150 A6 5-150 MB DIN<br>GASDRUKSCHAKELAAR GW 150 A6 5-150MB DIN   |          | MANOSTAT GAZ GW 150 A6 5-150MB DIN<br>PRESOSTATO GAS GW 150 A6 5-150MB DIN           | PRESSOSTATO GAS GW 150 A6 5-150MB DIN    | 1   |
| 4650 | 65311615  | STECKER HIRSCH GDMW3011 WITH SKIRT<br>STEKKER HIRSCH GDMW3011 WITH SKIRT             |          | PRISE HIRSCH GDMW3011 WITH SKIRT<br>ENCHULE HIRSCH GDMW3011 WITH SKIRT               | CONNETTORE HIRSCH GDMW3011 WITH SKIRT    | 1   |
| 4800 | 65311461  | GASFILTER GF80MF-2424-A-1 DN80 1BAR<br>GASFILTER GF80MF-2424-A-1 DN80 1BAR           |          | FILTRE GAZ GF80MF-2424-A-1 DN80 1BAR<br>FILTRO GAS GF80MF-2424-A-1 DN80 1BAR         | FILTRO GAS GF80MF-2424-A-1 DN80 1BAR     | 1   |
|      | 65311462  | GASFILTER GF100MF-3232-A-1 DN100 1BAR<br>GASFILTER GF100MF-3232-A-1 DN100 1BAR       |          | FILTRE GAZ GF100MF-3232-A-1 DN100 1BAR<br>FILTRO GAS GF100MF-3232-A-1 DN100 1BAR     | FILTRO GAS GF100MF-3232-A-1 DN100 1BAR   | 1   |
| 4801 | 65311888  | FILTEREINSATZ GF 80 MF<br>FILTERELEMENT GF 80 MF                                     |          | ELEMENT FILTRANT GF 80 MF<br>ELEMENTO FILTRANTE GF 80 MF                             | ELEMENTO FILTRANTE GF 80 MF              | 1   |



|      |            | RU<br>TR   | PT                                       | PL                                       | X |
|------|------------|--|--|--|---|
| 1040 | 65314256   | ВОЗДУХОЗАБОРНИК D472/408X124<br>HAVA GIRIŞ D472/408X124                                | ENTRADA DE AR D472/408X124               | WLOT POWIETRZA D472/408X124              | 1 |
| 1050 | 1180603227 | ГЛАЗОК ДЛЯ КОНТРОЛЯ ПЛАМЕНИ (БЕСЦВЕТ.)<br>RENKSİZ GÖZETLEME CAMI D55X21                | VIGIA INCOLOR D55X21                     | WZIERNIK BEZBARWNA D55X21                | 1 |
| 1060 | 1188052260 | КРЫШКА D61/55/ГЛАЗКА ДЛЯ КОНТРОЛЯ<br>KARAK D61/55/GÖZETLEME CAMI                       | TAMPA D61/55/VIGIA                       | POKRYWA D61/55/SZKŁO PODGLĄDU            | 1 |
| 1065 | 65312849   | ШКАЛУ-ИНДИКАТОР ХОДА EKEVO 8/9<br>INDICATOR ISKALA EKEVO 8/9                           | INDICADOR AJUST. CON ESCALA EKEVO 8/9    | WSKAŹNIK + SKALI EKEVO 8/9               | 1 |
| 1070 | 1180559591 | ГАЙКА ДЛЯ КОНТРОЛЯ ПЛАМЕНИ M48X1,5 SW60<br>SOMUN/GÖZETLEME CAMI M48X1,5 SW60           | PARAFUSO VIGIA M48X1,5 SW60              | NAKRĘTKA/WZIERNIK M48X1,5 SW60           | 1 |
| 1075 | 65313875   | ОСЬ/ВОЗДУШ.ЗАСЛ./УКАЗАТЕЛЬ D12X681 M8-M6<br>AKSI/HAVA KLAPESI/ŞARETÇİ D12X681 M8-M6    | HASTE / FLAP DE AR/PONTOS D12X681 M8-M6  | OŚ/PRZEPUST.POW./WSKAŹNIK D12X681 M8-M6  | 1 |
| 1076 | 65313877   | ОСЬ / СЕРВОДВИГАТЕЛЬ/ШЕСТЕРНЯ D12X681<br>AKSI / SERVOMOTOR/DİŞLİ D12X681               | HASTE / SERVOMOTOR/ENGRANAGEM D12X681    | OŚ / SERWOMOTOR/PRZEKŁADNIA D12X681      | 1 |
| 1077 | 65313876   | ОСЬ / ВОЗДУШ.ЗАСЛ./ШЕСТЕРНЯ D12X696<br>AKSI / HAVA KLAPESI/DİŞLİ D12X696               | HASTE / FLAP DE AR/ENGRANAGEM D12X696    | OŚ / PRZEPUST.POW./PRZEKŁADNIA D12X696   | 1 |
| 1078 | 65313874   | ОСЬ / ВОЗДУШ.ЗАСЛ./РЫЧАГ D12X670 M8<br>AKSI / HAVA KLAPESI/KOLU D12X670 M8             | HASTE / FLAP DE AR/ALAVANCA D12X670 M8   | OŚ / PRZEPUST.POW./DŹWIGNIA D12X670 M8   | 1 |
| 1080 | 65314260   | РАБОЧЕЕ КОЛЕСО D710/412X80 D55<br>TÜRBİN D710/412X80 D55                               | TURBINA D710/412X80 D55                  | WIMIK D710/412X80 D55                    | 1 |
| 1090 | 65311471   | ТРАНСФОРМАТОР РОЗЖИГА ЕВІ 1X11 230<br>ATEŞLEME TRAFO. EBI 1X11 230V                    | TRANSFO IGNIÇÃO EBI 1X11 230V            | TRANSFO ZAPŁONOWY EBI 1X11 230V          | 1 |
| 1093 | 13012980   | ФОТОРЕЗИСТОР QRA 2 ФЛАНЕЦ+COLLAR<br>TURUNCU HÜCRE 2 FLANŞ + BİLEZİK                    | CELULA QRA 2 FLANGE+COLLAR               | KOMÓRKA QRA 2 FLANGE+COLLAR              | 1 |
| 1094 | 65312311   | ДЕРЖАТЕЛЬ ФОТОРЕЗИСТ. UVZ/QRA/RAR D22.5 ALU<br>DESTEĞİ HÜCRE UVZ/QRA/RAR D22.5 ALU     | SUPORTE CELULA UVZ/QRA/RAR D22.5 ALU     | WSPORNIK FOTOKOM. UVZ/QRA/RAR D22.5 ALU  | 1 |
| 1095 | 65313375   | СТРЕМЯ ФОТОРЕЗИСТОР D22.5 RAR 7/QRA 2<br>UZENGI HÜCRE D22.5 İÇİN RAR 7/QRA 2           | ESTRIBO CELULA D22.5 PARA RAR 7/QRA 2    | STRZEMIE D22.5 FOTOKOMÓRKA RAR 7/QRA 2   | 1 |
| 1100 | 65311472   | ЗЕРКАЛО/ГЛАЗОК ДЛЯ КОНТРОЛЯ ПЛАМЕНИ<br>AYNA/GÖZETLEME CAMI                             | ESPELHO/VIGIA                            | LUSTROW/WZIERNIK                         | 1 |
| 1110 | 65311595   | РЕЛЕ ДАВ. ВОЗДУХА LGW 50 A2P 2,5-50MB<br>HAVA BASINÇ ŞALT. LGW 50 A2P 2,5-50MB         | PRESSOSTATO AR LGW 50 A2P 2,5-50MB       | CZUJNIK CIŚ. POW. LGW 50 A2P 2,5-50MB    | 1 |
| 1120 | 65312855   | ГАЗОВЫЙ КЛАПАН+СЕРВОДВИГАТЕЛЬ В СБОРЕ<br>GAZ KLAPESI+KOMPLE SERVO MOTOR                | VÁLVULA DE GÁS + ATUADOR COMPLETO        | ZAWÓR GAZU+SERWOMOTOR KOMPLETNY          | 1 |
| 1121 | 65312853   | ГАЗОВЫЙ КЛАПАН D162/108 L100+РЫЧАГ<br>GAZ KLAPESI D162/108 L100+KOLUNU                 | VALVULA DE GAS D162/108 L100+ALAVANCA    | ZAWÓR GAZU D162/108 L100+DŹWIGNIA        | 1 |
| 1122 | 65323999   | О-КОЛЬЦО 8475 D120,00X6,99<br>O-RING 8475 D120,00X6,99                                 | O-RING 8475 D120,00X6,99                 | O-RING 8475 D120,00X6,99                 | 1 |
| 1150 | 65311650   | СЕРВОДВИГАТЕ STE4,5 Q3.51/6+КАБЕЛЬ L3000<br>SERVOMOTOR STE 4,5 Q3.51/6+KABLOSU L3000   | SERVOMOTOR STE 4,5 Q3.51/6+CABO L3000    | SERWOMOTOR STE 4,5 Q3.51/6+PRZEWÓD L3000 | 1 |
| 1160 | 65311650   | СЕРВОДВИГАТЕ STE4,5 Q3.51/6+КАБЕЛЬ L3000<br>SERVOMOTOR STE 4,5 Q3.51/6+KABLOSU L3000   | SERVOMOTOR STE 4,5 Q3.51/6+CABO L3000    | SERWOMOTOR STE 4,5 Q3.51/6+PRZEWÓD L3000 | 1 |
| 1170 | 65326337   | ЭЛЕКТРОДВИГАТЕ. 37KW 400/690V D55 IE3 BK<br>MOTORU 37KW 400/690V D55 IE3 ELV BLACK     | MOTOR 37KW 400/690V D55 IE3 ELV NEGRO    | SILNIK 37KW 400/690V D55 IE3 ELV BLACK   | 1 |
| 1171 | 65311934   | САПНИК M40X1,5<br>KABLO BEZI M40X1,5   | PRENSAESTOPAS M40X1,5                    | DŁAWNICA M40X1,5                         | 1 |
| 1172 | 65312850   | ТЕРМИНАЛ ВИНТ РАСШИРЕНИЕ M32-M40<br>KABLO BEZI UZANTISI M32-M40                        | EXTENSAO PRENSAESTOPAS M32-M40           | PRZEDŁUŻENIE DŁAWIK M32-M40              | 1 |
| 1200 | 65312856   | ВОЗДУШНАЯ КАМЕРА 700X765X441+СЕРВОДВ.СPL<br>HAVA KUTUSU 700X765X441+SERVOMOTOR CPL.    | CAIXA DE AR 700X765X441+SERVOMOTOR CPL.  | KOMORA POWIETRZA 700X765X441+SERWOM.CPL. | 1 |
| 1400 | 65312848   | ЗУБЧАТОЕ КОЛЕ. Z=100 M=1 BO=12MM EKEVO8/9<br>DIŞLİ ÇARK Z=100 M=1 BO=12MM EKEVO8/9     | RODA DENTADA Z=100 M=1 BO=12MM EKEVO8/9  | KOŁO ZĘBATE Z=100 M=1 BO=12MM EKEVO8/9   | 1 |
| 1510 | 65312340   | КРЫШКА 374X621X331/ELECTRIC PANEL EKEVO<br>KARAK 374X621X331/ELECTRIC PANEL EKEVO      | TAMPA 374X621X331/ARMARIO ELETRICO EKEVO | POKRYWA 374X621X331/ELECTRIC PANEL EKEVO | 1 |
| 1512 | 65312338   | ЗАГЛУШКА/РЕГУЛЯТОР 92X45 IP54<br>OBTURATOER/REGULATOR 92X45 IP54                       | TAMPA CEGA/CONTROLADOR 92X45 IP54        | ZASŁEPKA/REGULATOR 92X45 IP54            | 1 |
| 1520 | 65326869   | ДИСПЛЕЙ БЛОКА УПРАВЛЕНИЯ BT3XX<br>EKRAN KUTU BT3XX                                     | VISOR UNIDADE DE CONTROLE BT3XX          | WYŚWIETLACZ MODUŁ BT3XX                  | 1 |
| 1525 | 65311364   | ПРОКЛАДКА/ДИСПЛЕЙ 152/140X80/70X2<br>CONTAS/EKRAN 152/140X80/70X2                      | GAXETA/VISOR 152/140X80/70X2             | USZCZELKA/WYŚWIETLACZ 152/140X80/70X2    | 1 |
| 1530 | 65314141   | БЛОК УПРАВЛЕНИЯ BT320 9.13000 G-EU2<br>KUTU BT320 9.13000 G-EU2                        | PROGRAMADOR BT320 9.13000 G-EU2          | MODUŁ BT320 9.13000 G-EU2                | 1 |
| 1557 | 65313850   | ПРЕДОХР-ЛЬ 6,3A(CERAMIC)<br>6.3A SIGORTA(CERAMIC)                                      | FUSÍVEL 6,3A (CERAMIC)                   | BEZPIECZNIK 6,3A(CERAMIC)                | 1 |
| 1580 | 65314258   | РАЗЪЕДИНИТ. ЭЛЕКТРОДВИ. SCH 37KW GV3ME80<br>DEVRE KESİCİ MOTOR SCH 37KW GV3ME80        | DISJUNTOR MOTOR SCH 37KW GV3ME80         | WYŁĄCZNIKI SILNIK SCH 37KW GV3ME80       | 1 |
|      | 65314439   | РАЗЪЕДИНИ. ЭЛЕКТРОД. SCH37KW GV3P73+GVAE11<br>DEVRE KESİCİ MOTOR SCH37KW GV3P73+GVAE11 | DISJUNTOR MOTOR SCH 37KW GV3P73+GVAE11   | WYŁĄCZNIKI SILNIK SCH 37KW GV3P73+GVAE11 | 1 |
| 1585 | 65311795   | ВСПОМОГАТЕЛЬНЫЙ ПЕРЕКЛЮЧАТЕЛЬ GVAE11<br>YARDIMCI ANAHTARI GVAE11                       | INTERRUPTOR AUXILIAR GVAE11              | PRZEŁĄCZNIK POMOCNICZY GVAE11            | 1 |
|      | 65314257   | ВСПОМОГАТЕЛЬНЫЙ ПЕРЕКЛЮЧАТЕЛЬ SCH GV3A01<br>YARDIMCI ANAHTARI SCH GV3A01               | INTERRUPTOR AUXILIAR SCH GV3A01          | PRZEŁĄCZNIK POMOCNICZY SCH GV3A01        | 1 |

|  |  | <table border="1"><tr><td>RU</td></tr><tr><td>TR</td></tr></table>                   | RU                                       | TR                                       | <table border="1"><tr><td>PT</td></tr><tr><td></td></tr></table> | PT |  | <table border="1"><tr><td>PL</td></tr><tr><td></td></tr></table> | PL |  |  |
|---|---|--|--|--|--|----|--|--|----|--|---|
| RU  |   |  |  |  |  |    |  |  |    |  |   |
| TR  |   |  |  |  |  |    |  |  |    |  |   |
| PT  |   |  |  |  |  |    |  |  |    |  |   |
|   |   |  |  |  |  |    |  |  |    |  |   |
| PL  |   |  |  |  |  |    |  |  |    |  |   |
|   |   |  |  |  |  |    |  |  |    |  |   |
| 1590  | 65314261  | ЗАМЕДЛИТЕЛЬ SCH LAD9SD3<br>ZAMAN AYARLAYICI SCH LAD9SD3                              | TEMPORIZADOR SCH LAD9SD3                 | REGULATOR CZASOWY SCH LAD9SD3            | 1  |    |  |  |    |  |   |
| 1595  | 65314259  | ВЫКЛЮЧАТЕЛЬ SCH LC1D40A<br>KONTAKTÖR SCH LC1D40A                                     | CONTACTOR SCH LC1D40A                    | STYCZNIK SCH LC1D40A                     | 1  |    |  |  |    |  |   |
| 1600  | 65312334  | СИГНАЛЬНАЯ ЛАМПА ЭЛЕКТРОННОГО ЩИТА<br>İKAZ IŞIĞI ELEKTRİK MUHAFAZA                   | LUZ INDICADORA DO ARMÁRIO ELÉTRICO       | LAMPKA KONTROLNA URZĄDZEŃ ELEKTRY.       | 1  |    |  |  |    |  |   |
| 1601  | 65312335  | ПЕРЕКЛЮЧАТЕЛЬ 2 ПОЗ.<br>ANAHTARI İKİ POZİSYONLU                                      | INTERRUPTOR 2 POS.                       | PRZEŁĄCZNIK 2 POZ.                       | 1  |    |  |  |    |  |   |
| 1602  | 65312336  | ПЕРЕКЛЮЧАТЕЛЬ 3 ПОЗ.<br>ANAHTARI ÜÇ POZİSYONLU                                       | INTERRUPTOR 3 POS.                       | PRZEŁĄCZNIK 3 POZ.                       | 1  |    |  |  |    |  |   |
| 1604  | 65312337  | ПЕРЕКЛЮЧАТЕЛЬ 2 ПОЗ. МОМЕНТ. СНИМОК<br>ANAHTARI İKİ POZİSYONLU ANINDA                | INTERRUPTOR MOMENTÂNEO 2 POS.            | PRZEŁĄCZNIK 2 POZ. MIGAWKA               | 1  |    |  |  |    |  |   |
| 1605  | 65312341  | ЗАГЛУШКА/ЧЕХОЛ ЭЛЕКТРОННОГО ЩИТА<br>OBTURATOER/ELEKTR. MUHAFAZA KAPAĞI               | TAMPA CEGA/TAMPA DO ARMÁRIO ELÉTRICO     | ZASŁEPKA/POKRYWA URZĄDZEŃ ELEKTR.        | 1  |    |  |  |    |  |   |
| 1610  | 65311758  | САЛБНИК M20<br>KABLO RAKORU M20  | PRENSAESTOPAS M20                        | DŁAWNICA M20                             | 1  |    |  |  |    |  |   |
| 1611  | 65311451  | САЛБНИК M16<br>KABLO RAKORU M16  | PRENSAESTOPAS M16                        | DŁAWNICA M16                             | 1  |    |  |  |    |  |   |
| 1612  | 65312852  | САЛБНИК CLICK M25<br>KABLO RAKORU CLICK M25  | PRENSAESTOPAS CLICK M25                  | DŁAWNICA CLICK M25                       | 1  |    |  |  |    |  |   |
| 1700  | 65311446  | ИНСТРУМЕНТЫ WAG 2009-309<br>İŞLETİM ARAC WAG 2009-309                                | FERRAMENTA WAG 2009-309                  | NARZĘD. D.PRZEŁĄCZANIA WAG 2009-309      | 1  |    |  |  |    |  |   |
| 2020  | 65314263  | СОПЛО ГОРЕЛКИ D431.5 L605<br>BRÜLÖR BORUSU D431.5 L605                               | TUBO DO QUEIMADOR D431.5 L605            | RURA PALNIKA D431.5 L605                 | 1  |    |  |  |    |  |   |
|   | 65314264  | СОПЛО ГОРЕЛКИ D431.5 L755<br>BRÜLÖR BORUSU D431.5 L755                               | TUBO DO QUEIMADOR D431.5 L755            | RURA PALNIKA D431.5 L755                 | 1  |    |  |  |    |  |   |
|   | 65314265  | СОПЛО ГОРЕЛКИ D431.5 L905<br>BRÜLÖR BORUSU D431.5 L905                               | TUBO DO QUEIMADOR D431.5 L905            | RURA PALNIKA D431.5 L905                 | 1  |    |  |  |    |  |   |
| 2072  | 13013226  | РЕЗИСТОР ПОДАВЛЕНИЕ ПОМЕХ 1КОМН D10X52.5<br>REZİSTANS PARAZİT GİDERME 1KOHM D10X52.5 | RESİST.SUPRESSÃO İNTERFER.1KOHM D10X52.5 | REZYSTOR TŁUMIENIE ZAKŁÓC.1KOHM D10X52.5 | 1  |    |  |  |    |  |   |
| 2073  | 3333113582  | КРЕНГЕЛЬС КАБЕЛЬ РОЗЖИГА D6 ЭЛЕКТРОД D7<br>ÖRME HALKA ATEŞLEME KABLOSU D6 ELEKTR.D7  | GROMMET CABO İGNİZACAO D6 ELETRODO D7    | PRZELOTKA PRZEWÓD ZAPŁO. D6 ELEKTRODA D7 | 1  |    |  |  |    |  |   |
| 2110  | 65314262  | ДЕФЛЕКТОР D199/260<br>DEFLEKTOR D199/260   | DEFLECTOR D199/260                       | DEFLEKTOR D199/260                       | 1  |    |  |  |    |  |   |
| 2120  | 1688737664  | ДИФФУЗОР ГАЗА D35 L50 DRILL.D20<br>GAZ DİFÜZÖERÜ D35 L50 DRILL.D20                   | DİFUSOR GAS D35 L50 PERF.D20             | DYSZA GAZU D35 L50 DRILL.D20             | 1  |    |  |  |    |  |   |
| 2130  | 65312490  | ДИФФУЗОР ГАЗА D30 L105/100 45°<br>GAZ DİFÜZÖERÜ D30 L105/100 45°                     | DİFUSOR GAS D30 L105/100 45°             | DYSZA GAZU D30 L105/100 45°              | 1  |    |  |  |    |  |   |
| 2140  | 65312491  | ДИФФУЗОР ГАЗА D30 L100/70 45°<br>GAZ DİFÜZÖERÜ D30 L100/70 45°                       | DİFUSOR GAS D30 L100/70 45°              | DYSZA GAZU D30 L100/70 45°               | 1  |    |  |  |    |  |   |
| 2150  | 65314266  | ТРУБКА ГАЗОВЫЕ L350<br>TUPLU GAZ L350  | TUBO GAS L350                            | BORUSU GAZOWY L350                       | 1  |    |  |  |    |  |   |
|   | 65314267  | ТРУБКА ГАЗОВЫЕ L500<br>TUPLU GAZ L500  | TUBO GAS L500                            | BORUSU GAZOWY L500                       | 1  |    |  |  |    |  |   |
|   | 65314268  | ТРУБКА ГАЗОВЫЕ L650<br>TUPLU GAZ L650  | TUBO GAS L650                            | BORUSU GAZOWY L650                       | 1  |    |  |  |    |  |   |
| 2200  | 65311388  | КАБЕЛЬ РОЗЖИГА D4 L50<br>ATEŞLEME KABLOSU D4 L50                                     | CABO ENCENDIDO D4 L50                    | PRZEWÓD ALU. D4 L50                      | 1  |    |  |  |    |  |   |
| 2202  | 65314116  | КАБЕЛЬ РОЗЖИГА D7 L2M<br>ATEŞLEME KABLOSU D7 L2M                                     | CABO İGNİZACAO D7 L2M                    | PRZEWÓD ZAPŁONOWY D7 L2M                 | 1  |    |  |  |    |  |   |
| 2210  | 65314088  | ДЕРЖАТЕЛЬ ЭЛЕКТРОДОВ D38/D30 D14 L25<br>ELEKTROD DESTEĞİ D38/D30 D14 L25             | SUPORTE ELETRODO D38/D30 D14 L25         | WSPORNIK ELEKTRODA D38/D30 D14 L25       | 1  |    |  |  |    |  |   |
| 2230  | 65314090  | ЭЛЕКТРОД ЗАЖИ D11X100 D6,4 D2,5 L29 155°<br>ATEŞ.ELEKTROD D11X100 D6,4 D2,5 L29 155° | ELETRODO ENC.D11X100 D6,4 D2,5 L29 155°  | ELEKTRODA ALU.D11X100 D6,4 D2,5 L29 155° | 1  |    |  |  |    |  |   |
| 2250  | 65311713  | ПРОКЛАДКА/OVAL ФЛАНЕЦ 210X160X2 D116<br>CONTASI/OVAL FLANŞI 210X160X2 D116           | GAXETA/OVAL FLANGE 210X160X2 D116        | USZCZELKA/OVAL KOŁNIERZ 210X160X2 D116   | 1  |    |  |  |    |  |   |
| 4005  | 65311613  | ПРОКЛАДКА/ГАЗОВАЯ РАМПА D162/115X2 DN100<br>CONTASI/GAZ RAMPASI D162/115X2 DN100     | GAXETA/RAMPA DE GAS D162/115X2 DN100     | USZCZELKA/RAMPA GAZOWA D162/115X2 DN100  | 1  |    |  |  |    |  |   |
| 4010  | 65311675  | КОЛЛЕКТОР В СБОРЕ DN100/DN80 L400 90°<br>GAZ KOLEKTOR DN100/DN80 L400 90°            | COLETOR DE GAS DN100/DN80 L400 90°       | KOLEKTOR GAZOW.DN100/DN80 L400 90°       | 1  |    |  |  |    |  |   |
|   | 65311676  | КОЛЛЕКТОР В СБОРЕ DN100/DN100 L400 90°<br>GAZ KOLEKTOR DN100/DN100 L400 90°          | COLETOR DE GAS DN100/DN100 L400 90°      | KOLEKTOR GAZOW.DN100/DN100 L400 90°      | 1  |    |  |  |    |  |   |
|   | 65311677  | КОЛЛЕКТОР В СБОРЕ DN100/DN125 L400 90°<br>GAZ KOLEKTOR DN100/DN125 L400 90°          | COLETOR DE GAS DN100/DN125 L400 90°      | KOLEKTOR GAZOW.DN100/DN125 L400 90°      | 1  |    |  |  |    |  |   |
| 4020  | 65311601  | ПРЯМОЙ ШТУЦЕР P-EGES 12L/R 1/4WD<br>SAĞ RAKOR P-EGES 12L/R 1/4WD                     | CONEXÃO DIREITA P-EGES 12L/R 1/4WD       | ZŁĄCZE PRAWO P-EGES 12L/R 1/4WD          | 1  |    |  |  |    |  |   |
| 4030  | 65311608  | ШТУЦЕР (ЛОКОТЬ) P-EWW12L-SV<br>RAKOR (DIRSEK) P-EWW12L-SV                            | UNIÃO (COTOVELO) P-EWW12L-SV             | ZŁĄCZE (ŁOKIEC) P-EWW12L-SV              | 1  |    |  |  |    |  |   |
| 4040  | 65311605  | ШТУЦЕР P-KV12L<br>RAKOR P-KV12L  | CONEXÃO P-KV12L                          | ZŁĄCZE P-KV12L                           | 1  |    |  |  |    |  |   |
| 4060  | 65311607  | КРЫШКА D15/10X21 VSD 12L/S O.M.MB<br>TAPA D15/10X21 VSD 12L/S O.M.MB                 | TAMPA D15/10X21 VSD 12L/S O.M.MB         | NAKRĘTKA D15/10X21 VSD 12L/S O.M.MB      | 1  |    |  |  |    |  |   |

|      |            | RU<br>TR   | PT                                       | PL                                      | X |
|------|------------|--|--|---|---|
| 4070 | 65311601   | ПРЯМОЙ ШТУЦЕР P-EGES 12L/R 1/4WD<br>SAĞ RAKOR P-EGES 12L/R 1/4WD                   | CONEXÃO DIREITA P-EGES 12L/R 1/4WD       | ZŁĄCZE PRAWO P-EGES 12L/R 1/4WD         | 1 |
| 4080 | 65311453   | ГАЗОВЫЙ КЛАПАН VGD40 125 DN125<br>GAZ VANASI VGD40 125 DN125                       | VALVULA GAS VGD40 125 DN125              | ZAWÓR GAZOWY VGD40 125 DN125            | 1 |
|      | 65311583   | ГАЗОВЫЙ КЛАПАН VGD40 080 DN80<br>GAZ VANASI VGD40 080 DN80                         | VALVULA GAS VGD40 080 DN80               | ZAWÓR GAZOWY VGD40 080 DN80             | 1 |
|      | 65311590   | ГАЗОВЫЙ КЛАПАН VGD40 100 DN100<br>GAZ VANASI VGD40 100 DN100                       | VALVULA GAS VGD40 100 DN100              | ZAWÓR GAZOWY VGD40 100 DN100            | 1 |
| 4090 | 65107100   | СЕРВОДВИГАТЕЛЬ SKP25.003 E2 БЕЗ КОНЦЕВЫ<br>SERVOMOTOR SKP 25.003 E2 LIMIT ANANTAR  | SERVOMOT. GÁS SKP25.003 E2 SEM FIM CURSO | SERWOSILNIK SKP25.003E2 BEZ WYŁĄCZNIKI  | 1 |
| 4100 | 65311585   | СОЕДИНИТЕЛЬ.КАБЕЛЬ AGA 62 PLUG DIN L270<br>BAĞLANTI KABLOSU AGA 62 PLUG DIN L270   | CABO DE CONEXÃO AGA 62 TOMADA DIN L270   | POŁĄCZENIOW. KABEL AGA 62 PLUG DIN L270 | 1 |
| 4110 | 1478836180 | СЕРВОДВИГАТЕЛЬ SKP15.000E2 БЕЗ КОНЦЕВЫ<br>SERVOMOTOR SKP15.000E2 LIMIT ANANTAR     | SERVOMOTOR GAS SKP15.000E2 SEM FIM CURSA | SERWOSILNIK SKP15.000E2 BEZ WYŁĄCZNIKI  | 1 |
| 4120 | 65311612   | ПРОКЛАДКА/ГАЗОВАЯ РАМПА D142/90X2 DN80<br>CONTASI/GAZ RAMPASI D142/90X2 DN80       | GAXETA/RAMPA DE GAS D142/90X2 DN80       | USZCZELKA/RAMPA GAZOWA D142/90X2 DN80   | 1 |
|      | 65311613   | ПРОКЛАДКА/ГАЗОВАЯ РАМПА D162/115X2 DN100<br>CONTASI/GAZ RAMPASI D162/115X2 DN100   | GAXETA/RAMPA DE GAS D162/115X2 DN100     | USZCZELKA/RAMPA GAZOWA D162/115X2 DN100 | 1 |
|      | 65311614   | ПРОКЛАДКА/ГАЗОВАЯ РАМПА D192/141X2 DN125<br>CONTASI/GAZ RAMPASI D192/141X2 DN125   | GAXETA/RAMPA DE GAS D192/141X2 DN125     | USZCZELKA/RAMPA GAZOWA D192/141X2 DN125 | 1 |
| 4130 | 65311586   | РОЗЕТКА SIEM AGA 64/SKP СЕРВОДВИГАТЕЛЬ<br>PRIZ SIEM AGA 64/SKP SERVOMOTOR          | TOMADA SIEM AGA 64/SKP SERVOMOTOR        | WTYCZKA SIEM AGA 64/SKP SERVOMOTOR      | 1 |
| 4140 | 65311615   | РАЗЪЕМ HIRSCH GDMW3011 WITH SKIRT<br>PRIZ HIRSCH GDMW3011 WITH SKIRT               | TOMADA HIRSCH GDMW3011 WITH SKIRT        | GNIAZDO HIRSCH GDMW3011 WITH SKIRT      | 1 |
| 4150 | 65310852   | РЕЛЕ ДАВ. ВОЗДУХА GW 500 A5 30-500MB<br>GAZ BASINÇ ŞALT. GW 500 A5 30-500MB        | PRESSOSTATO GÁS GW 500 A5 30-500MB       | CZUJNIK CIŚ. GAZU GW 500 A5 30-500MB    | 1 |
|      | 65323022   | РЕЛЕ ДАВ. ВОЗДУХА GW 150 A6 5-150MB DIN<br>GAZ BASINÇ ŞALT. GW 150 A6 5-150MB DIN  | PRESSOSTATO GAS GW 150 A6 5-150MB DIN    | CZUJNIK CIŚ. GAZU GW 150 A6 5-150MB DIN | 1 |
| 4300 | 65311461   | ГАЗОВЫЙ ФИЛЬТР GF80MF-2424-A-1 DN80 1BAR<br>GAZ FILTR. GF80MF-2424-A-1 DN80 1BAR   | FILTRO GÁS GF80MF-2424-A-1 DN80 1BAR     | FILTR GAZU GF80MF-2424-A-1 DN80 1BAR    | 1 |
|      | 65311462   | ГАЗОВЫЙ ФИЛЬТР GF100MF-3232-A-1 DN100 1B<br>GAZ FILTR. GF100MF-3232-A-1 DN100 1BAR | FILTRO GÁS GF100MF-3232-A-1 DN100 1BAR   | FILTR GAZU GF100MF-3232-A-1 DN100 1BAR  | 1 |
|      | 65311463   | ГАЗОВЫЙ ФИЛЬТР GF125MF-4040-A-1 DN125 1B<br>GAZ FILTR. GF125MF-4040-A-1 DN125 1BAR | FILTRO GÁS GF125MF-4040-A-1 DN125 1BAR   | FILTR GAZU GF125MF-4040-A-1 DN125 1BAR  | 1 |
| 4301 | 65311888   | ФИЛЬТРУЮЩИЙ ЭЛЕМЕНТ GF 80 MF<br>FILTRE ELEMANI GF 80 MF                            | ELEMENTO FILTRANTE GF 80 MF              | WKŁAD FILTRA GF 80 MF                   | 1 |
|      | 65311889   | ФИЛЬТРУЮЩИЙ ЭЛЕМЕНТ GF 100 MF<br>FILTRE ELEMANI GF 100 MF                          | ELEMENTO FILTRANTE GF 100 MF             | WKŁAD FILTRA GF 100 MF                  | 1 |
|      | 65311890   | ФИЛЬТРУЮЩИЙ ЭЛЕМЕНТ GF 125 MF<br>FILTRE ELEMANI GF 125 MF                          | ELEMENTO FILTRANTE GF 125 MF             | WKŁAD FILTRA GF 125 MF                  | 1 |
| 4505 | 65311613   | ПРОКЛАДКА/ГАЗОВАЯ РАМПА D162/115X2 DN100<br>CONTASI/GAZ RAMPASI D162/115X2 DN100   | GAXETA/RAMPA DE GAS D162/115X2 DN100     | USZCZELKA/RAMPA GAZOWA D162/115X2 DN100 | 1 |
| 4510 | 65311675   | КОЛЛЕКТОР В СБОРЕ DN100/DN80 L400 90°<br>GAZ KOLEKTOR DN100/DN80 L400 90°          | COLETOR DE GAS DN100/DN80 L400 90°       | KOLEKTOR GAZOW.DN100/DN80 L400 90°      | 1 |
|      | 65311676   | КОЛЛЕКТОР В СБОРЕ DN100/DN100 L400 90°<br>GAZ KOLEKTOR DN100/DN100 L400 90°        | COLETOR DE GAS DN100/DN100 L400 90°      | KOLEKTOR GAZOW.DN100/DN100 L400 90°     | 1 |
| 4520 | 65311601   | ПРЯМОЙ ШТУЦЕР P-EGES 12L/R 1/4WD<br>SAĞ RAKOR P-EGES 12L/R 1/4WD                   | CONEXÃO DIREITA P-EGES 12L/R 1/4WD       | ZŁĄCZE PRAWO P-EGES 12L/R 1/4WD         | 1 |
| 4530 | 65311344   | Т-ШТУЦЕР P-TV 12 L<br>T-RAKOR P-TV 12 L  | CONEXÃO EM T P-TV 12 L                   | T-ZŁĄCZKA P-TV 12 L                     | 1 |
| 4560 | 65311607   | КРЫШКА D15/10X21 VSD 12L/S O.M.MB<br>TAPA D15/10X21 VSD 12L/S O.M.MB               | TAMPA D15/10X21 VSD 12L/S O.M.MB         | NAKRĘTKA D15/10X21 VSD 12L/S O.M.MB     | 1 |
| 4580 | 65311845   | ГАЗОВЫЙ КЛАПАН MBC3100SE DN80 40-80MBAR<br>GAZ VANASI MBC3100SE DN80 40-80 MBAR    | VÁLVULA GÁS MBC3100 SE DN80 40-80 MBAR   | ZAWÓR GAZ. MBC3100SE DN80 40-80 MBAR    | 1 |
|      | 65311846   | ГАЗОВЫЙ КЛАПАН MBC5000SE DN100 40-80MB<br>GAZ VANASI MBC5000 SE DN100 40-80 MB     | VÁLVULA GÁS MBC5000 SE DN100 40-80 MBAR  | ZAWÓR GAZ.MBC5000SE DN100 40-80MBAR     | 1 |
| 4620 | 65311612   | ПРОКЛАДКА/ГАЗОВАЯ РАМПА D142/90X2 DN80<br>CONTASI/GAZ RAMPASI D142/90X2 DN80       | GAXETA/RAMPA DE GAS D142/90X2 DN80       | USZCZELKA/RAMPA GAZOWA D142/90X2 DN80   | 1 |
|      | 65311613   | ПРОКЛАДКА/ГАЗОВАЯ РАМПА D162/115X2 DN100<br>CONTASI/GAZ RAMPASI D162/115X2 DN100   | GAXETA/RAMPA DE GAS D162/115X2 DN100     | USZCZELKA/RAMPA GAZOWA D162/115X2 DN100 | 1 |
| 4640 | 65310852   | РЕЛЕ ДАВ. ВОЗДУХА GW 500 A5 30-500MB<br>GAZ BASINÇ ŞALT. GW 500 A5 30-500MB        | PRESSOSTATO GÁS GW 500 A5 30-500MB       | CZUJNIK CIŚ. GAZU GW 500 A5 30-500MB    | 1 |
|      | 65323022   | РЕЛЕ ДАВ. ВОЗДУХА GW 150 A6 5-150MB DIN<br>GAZ BASINÇ ŞALT. GW 150 A6 5-150MB DIN  | PRESSOSTATO GAS GW 150 A6 5-150MB DIN    | CZUJNIK CIŚ. GAZU GW 150 A6 5-150MB DIN | 1 |
| 4650 | 65311615   | РАЗЪЕМ HIRSCH GDMW3011 WITH SKIRT<br>PRIZ HIRSCH GDMW3011 WITH SKIRT               | TOMADA HIRSCH GDMW3011 WITH SKIRT        | GNIAZDO HIRSCH GDMW3011 WITH SKIRT      | 1 |
| 4800 | 65311461   | ГАЗОВЫЙ ФИЛЬТР GF80MF-2424-A-1 DN80 1BAR<br>GAZ FILTR. GF80MF-2424-A-1 DN80 1BAR   | FILTRO GÁS GF80MF-2424-A-1 DN80 1BAR     | FILTR GAZU GF80MF-2424-A-1 DN80 1BAR    | 1 |
|      | 65311462   | ГАЗОВЫЙ ФИЛЬТР GF100MF-3232-A-1 DN100 1B<br>GAZ FILTR. GF100MF-3232-A-1 DN100 1BAR | FILTRO GÁS GF100MF-3232-A-1 DN100 1BAR   | FILTR GAZU GF100MF-3232-A-1 DN100 1BAR  | 1 |
| 4801 | 65311888   | ФИЛЬТРУЮЩИЙ ЭЛЕМЕНТ GF 80 MF<br>FILTRE ELEMANI GF 80 MF                            | ELEMENTO FILTRANTE GF 80 MF              | WKŁAD FILTRA GF 80 MF                   | 1 |









## ADDRESSES

<https://www.elco-burners.com>

[www.elco.net](http://www.elco.net)



## LIST OF THE ABBREVIATIONS

-  : Maintenance parts / Pièces d'entretien / Materiali di consumo /  
: Piezas de mantenimiento / Hilfsmaterial / Onderhoudsonderdelen
-  : Wearing parts / Pièces d'usure / Parti di usura  
: Piezas de desgaste / Verschleissteile / Slijtageonderdelen
- \* : Item not stocked, manufactured to order / Article non stocké, fabrication à la demande /  
: Articolo non a magazzino, produzione all'ordine / Artículo no almacenado, fabricación previa solicitud /  
: Keine Lagerware, wird bei Bedarf bestellt, Artikel niet op voorraad, fabricage op bestelling

## IDENTIFICATION PLATE

### SERIAL NUMBER

**7 Characters :** 00001 / K A

Sequential number

Trimester of manufacture : from A to D  
Year of manufacture : K → 2003  
L → 2004  
M → 2005  
etc ...

**8 Characters :** 00001 / L 09

Sequential number

Month of manufacture  
Year of manufacture : K → 2003  
L → 2004  
M → 2005  
etc ...

**11 Characters :** 2007 1370 P 07

Year of manufacture

Month of manufacture  
Year of manufacture : P → 2007  
R → 2008  
S → 2009  
T → 2010  
U → 2011  
W → 2012  
X → 2013  
Y → 2014  
Z → 2015

Sequential number

**18 Characters :** 070115 000000000001

Sequential number  
Manufacturing day (07) / Month (01) / Year (15)

The indications mentioned on the prices, commercial or technical literature and the scheme are written for your guidance and are available at a given time. The CONSTRUCTOR retains the power to modify the presentation, the form, the size, the conception or the material of the products.