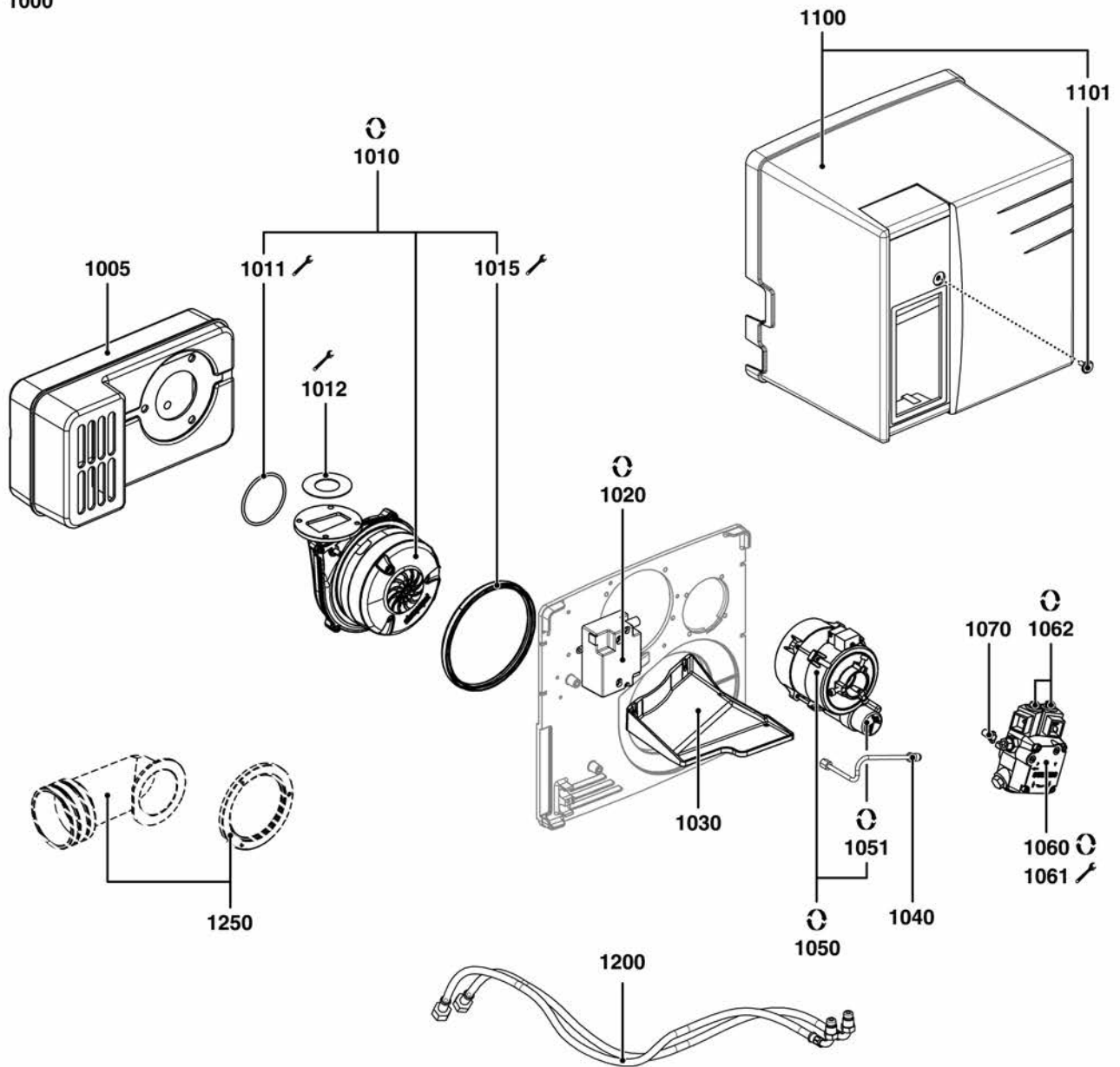


## ERSATZTEILKATALOG ÖLBRENNER Gerätemodelle **CB-VB2VD**

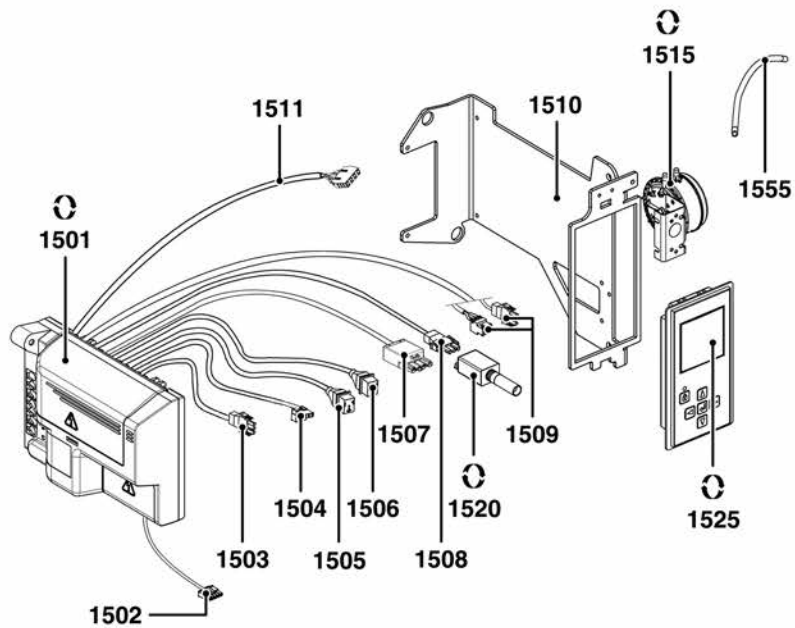
R8220172-01 - 18/02/2016

1	3835349	CB-VB2.38 VD	03-2016	-
2	3835350	CB-VB2.45 VD	03-2016	-
3	3835351	CB-VB2.54 VD	03-2016	-
4	3835352	CB-VB2.66 VD	03-2016	-
5	3835353	CB-VB2.77 VD	03-2016	-
6	3835354	CB-VB2.85 VD	03-2016	-
7	3835355	CB-VB2.95 VD	03-2016	-
Spalte	Artikelnr	Betroffene Modelle	Baubeginn	Bauende

1000



1500

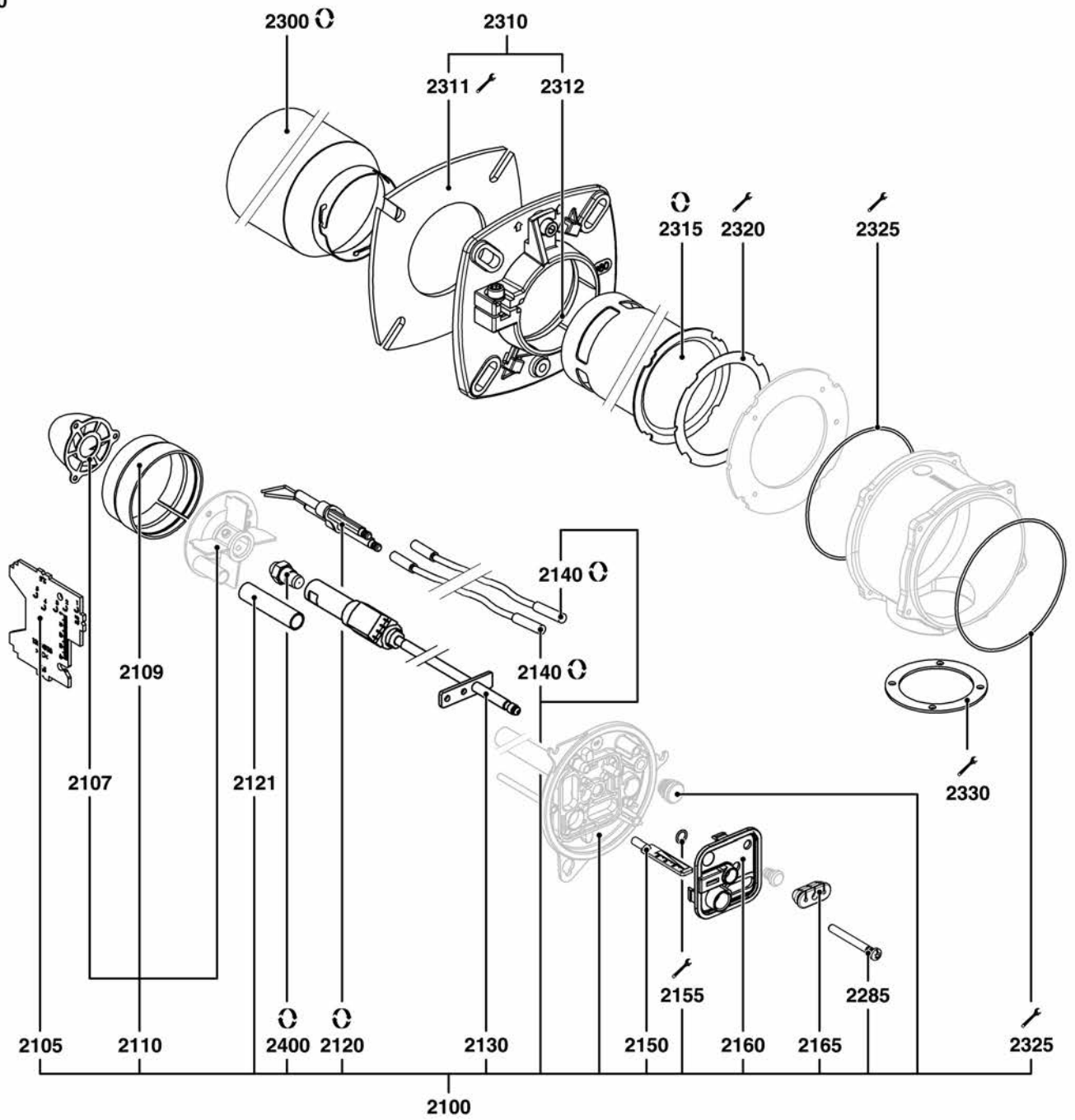




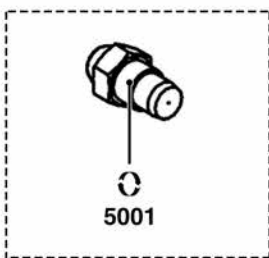
2000

CB-VB2VD

Ölbrenner



5000





		EN NL	FR ES	IT	X
1005	65301095	SILENCER GELUIDDEMPER	SILENCIEUX SILENCIADOR	SILENZIATORE	1
1010	65301098	VENTILATOR NRG 118 VENTILATOR NRG 118	VENTILATEUR NRG 118 VENTILADOR NRG 118	VENTILATORE NRG 118	1
	65301099	VENTILATOR NRG 137 VENTILATOR NRG 137	VENTILATEUR NRG 137 VENTILADOR NRG 137	VENTILATORE NRG 137	1
1011	13018810	O-RING ORM 0700-30 O-RING D70X3 NBR70 ORM 0700-30	JOINT O-RING ORM 0700-30 JUNTA O-RING ORM 0700-30	O-RING ORM 0700-30	1
	65301096	O-RING SEAL D63X3 NBR70-ORM0630-30 AFDICHTING O-RING D63X3 NBR70-ORM0630-30	JOINT O-RING D63X3 NBR70-ORM0630-30 JUNTA O-RING D63X3 NBR70-ORM0630-30	O-RING D63X3 NBR70-ORM0630-30	1
1012	65301181	ORIFICE RESTRICTING PIECE D60X32,5X1 RING D60X32,5X1	DIAPHRAGME D60X32,50X1 APERTURA D60X32,5X1	DIAFRAMMA D60X32,5X1	1
	65301226	ORIFICE RESTRICTING PIECE D60X34,5X1 RING D60X34,5X1	DIAPHRAGME D60X34,5X1 APERTURA D60X34,5X1	DIAFRAMMA D60X34,5X1	1
	65301227	ORIFICE RESTRICTING PIECE D60X26/1 RING D60X26/1	DIAPHRAGME D60X26/1 APERTURA D60X26/1	DIAFRAMMA D60X26/1	1
1015	65301100	SEAL MOTOR/PLATE SEAL MOTOR/PLATE	JOINT MOTEUR/PLATINE JUNTA MOTOR/PLATE	GUARNIZIONE MOTORE/PIASTRA	1
1020	13009663	IGNITION TRANSFORMER EBI 2X7,5 230V ONTSTEKINGSTRAFO EBI 2X7,5 230V	ALLUMEUR EBI 2X7,5 230V ENCENDEDOR EBI 2X7,5 230V	TRASFORMATORE ACCENSIONE EBI 2X7,5 230V	1
1030	65301101	FUEL OIL CATCHER OLIE CATCHER	RECUPERATEUR FUEL RECUPERADOR DE GASOLEO	RECUPERATORE GASOLIO	1
1040	65301102	NOZZLE LINE PIPE TOEVOERLEIDING SPROEIER	TUBE LIGNE GICLEUR TUBO LÍNEA BOQUILLA	TUBO/LINEA PORTA UGELLO	1
1050	65301103	MOTOR 75W 230V 50-60HZ MOTOR 75W 230V 50-60HZ	MOTEUR 75W 230V 50-60HZ MOTOR 75W 230V 50-60HZ	MOTORE 75W 230V 50-60HZ	1
1051	65325037	CAPACITOR 3µF 2P 3MM CONDENSATOR 3µF 2P 3MM	CONDENSATEUR 3µF 2P 3MM CONDENSADOR 3µF 2P 3MM	CONDENSATORE 3µF 2P 3MM	1
1060	13012002	OIL PUMP AT2 45 D 9538 6P 0500 POMP AT2 45 D 9538 6P 0500	POMPE FIOUL AT2 45 D 9538 6P 0500 BOMBA AT2 45 D 9538 6P 0500	POMPA AT2 45 D 9538 6P 0500	1
1061	13010470	FILTER KIT D20 A 47/57/67(NM) FILTERSET D20 A 47/57/67(NM)	KIT FILTRE D20 A 47/57/67(NM) KIT DE FILTRO D20 A 47/57/67(NM)	KIT FILTRO D20 A 47/57/67(NM)	1
1062	13010006	PUMP X COIL AS47/AL35 220/240V SPOEL X POMP AS47/AL35 220/240V	BOBINE X POMPE AS47/AL35 220/240V BOBINA P/BOMBA AS47/AL35 220/240V	BOBINA X POMPA AS47/AL35 220/240V	1
1070	65074172	MOTOR/PUMP COUPLING KOPPELING POMP/MOTOR	ACCOUPEMENT POMPE/MOTEUR ACOPLAMIENTO BOMBA/MOTOR	GIUNTO POMPA/MOTORE	1
1100	65300723	HOOD VECTRON2+MOUNTING SCREW KAP VECTRON2+BEVESTIGINGSSCHROEF	CAPOT VECTRON2+VIS CUBIERTA VECTRON2+TORNILLO DE FIJACIÓN	COFANO VECTRON2+VITE DI FISSAGGIO	1
1101	65300519	FLAT HEAD SCREW M5X15 PLATKOPPSCHROEF M5X15	VIS A TETE PLATE M5X15 TORNILLO DE CABEZA PLANA M5X15	VITE A TESTA PIANA M5X15	1
1200	13004833	HOSE DN6 L1,5M+NIPPLE 1/4 (x2) SLANG DN6 L1,5M+ANSL.1/4 (x2)	FLEXIBLE DN6 L1,5M 3/8-1/4+RACC 1/4 (x2) LATIGUILLO DN6 L1,5M (X2)+RAC.1/4 (x2)	TUBO FLESSIBILE DN6 L1,5M+RACC.1/4 (x2)	1
1250	3833945	OP-RG13 (DIA 80) OP-RG13 (D80)	OP-RG13 (D80) OP-RG13 (D80)	OP-RG13 (D80)	1
1501	65301104	CONTROL UNIT TCH 241.01 BRANDERAUTOMAAT TCH 241.01	COFFRET TCH 241.01 PROGRAMADOR TCH 241.01	APPARECCHIATURA TCH 241.01	1
1502	65301105	CABLE MOTOR+PLUG 5P/CONN. 6P+3P L600 KABEL MOTOR+STCK5P/CONN. 6P+3P L600	CABLE MOTEUR+PRISE 5P/CONN. 6P+3P L600 CABLE MOTOR+TOMA 5P/CONN. 6P+3P L600	CAVO MOTORE+PRESA 5P/CONN. 6P+3P L600	1
1503	65301106	CABLE MOTOR+PLUG 3P/RAST3P L550 KABEL MOTOR+STCK3P/RAST3P L550	CABLE MOTEUR+PRISE 3P/RAST 3P L550 CABLE MOTOR+TOMA 3P/RAST3P L550	CAVO MOTORE+PRESA 3P/RAST3P L550	1
1504	65300619	CABLE IGNIT.TRANSFO+PLUG 2P/RAST2P L350 ONTSTEKINGSTRAFOKABEL+STCK2P/RAST2P L350	CABLE ALLUMEUR+PRISE 2P/RAST2P L350 CABLE ENCENDEDOR+TOMA 2P/RAST2P L350	CAVO TRASFO ACCENS.+PRESA 2P/RAST2P L350	1
1505	13011090	CABLE SOL.VALVE+PLUG 3P/RAST3P L420V1 KABEL MAGNEETKLEP+STCK3P/RAST3P L420V1	CABLE EL.VANNE+PRISE 3P/RAST3P L420V1 CABLE EL.VALVULA+TOMA 3P/RAST3P L420V1	CAVO EL.VALVOLA+PRESA 3P/RAST3P L420V1	1
1506	65300530	CABLE SOL.VALVE+PLUG 3P/RAST3P L420V2 KABEL MAGNEETKLEP+STCK3P/RAST3P L420V2	CABLE EL.VANNE+PRISE 3P/RAST3P L420V2 CABLE EL.VALVULA+TOMA 3P/RAST3P L420V2	CAVO EL.VALVOLA+PRESA 3P/RAST3P L420V2	1
1507	65300531	CABLE+PLUG WIELAND 4P/RAST3P L250 KABEL+STCKWIE. 4P/RAST3P L250	CABLE+PRISE WIE. 4P/RAST3P L250 CABLE+TOMA WIE. 4P/RAST3P L250	CAVO+PRESA WIELAND 4P/RAST 3P L250	1
1508	65300210	CABLE CELL IRD+PLUG3P/RAST3P L400 KABEL FOTOCEL IRD+STCK3P/RAST3P L400	CABLE CELL.IRD+PRISE 3P/RAST3P L400 CABLE CELULA IRD+TOMA 3P/RAST3P L400	CAVO CELLULA IRD+PRESA 3P/RAST3P L400	1
1509	65301107	CABLE MOTOR+RAST3P L550RG118 KABEL MOTOR+RAST3P L550RG118	CABLE MOTEUR+RAST 3P L550RG118 CABLE MOTOR+RAST3P L550RG118	CAVO MOTORE+RAST3P L550RG118	1
	65301108	CABLE MOTOR+PLUG 3P/RAST3P L550RG137 KABEL MOTOR+STCK3P/RAST3P L550RG137	CABLE MOTEUR+PRISE 3P/RAST 3P L550RG137 CABLE MOTOR+TOMA 3P/RAST3P L550RG137	CAVO MOTORE+PRESA 3P/RAST3P L550RG137	1
1510	65300727	CONTROL UNIT BRACKET+DISPLAY STEUN VAN DE AUTOMAAT+DISPLAY	SUPPORT COFFRET+AFFICHEUR SORPORTE DEL CAJETÍN+PANTALLA	SUPPORTO PROGRAMM.+VISUALIZZ.	1
1511	13011126	CABLE HEATER DAN+PLUG4P/RAST4P L450 KABEL VORWARMER DAN+STCK4P/RAST4P L450	CABLE RECHAUFF. DAN+PRISE 4P/RAST4P L450 CABLE CALENTADOR DAN+TOMA 4P/RAST4P L450	CAVO BARILOTTO DAN+PRESA 4P/RAST4P L450	1
1515	13021613	AIR PRESS.SWITCH 604.91 0,5-5MB LUCHTDRUKSCHAKELAAR 604.91 0,5-5MB	MANOSTAT AIR 604.91 0,5-5MB PRESOSTATO AIRE 604.91 0,5-5MB	PRESSOSTATO ARIA 604.91 0,5-5MB	1
1520	13012678	PHOTOCELL IRD 1010 AXIAL FOTOCEL IRD 1010 AXIAAL	CELLULE IRD 1010 AXIALE CELULA IRD 1010 AXIAL	CELLULA IRD 1010 ASSIALE	1

☞	XXXXXXXX	EN	FR	IT	X
		NL	ES		
1525	65301109	DISPLAY FOR CONTROL UNIT TCG-TCH REL.2.2 DISPLAY V. BRANDERAUTOM.TCG-TCH REL.2.2	AFFICHEUR POUR COFFRET TCG-TCH REL. 2.2 PANTALLA P. PROGRAMAD. TCG-TCH REL.2.2	DISPLAY PER APPARECCHIA.TCG-TCH REL.2.2	1
1555	13015497	HOSE D.4/7 LG. 500 MM SLANG D.4/7 LG. 500 MM	TUYAU D.4/7 LG. 500 MM MANGUERA D.4/7 LG. 500 MM	TUBO D.4/7 LG. 500 MM	1
2100	65301078	COMBUSTION HEAD VB 2.38 BRANDERKOP VB 2.38	TETE COMB. VB 2.38 CABEZA VB 2.38	TESTA COMB. VB 2.38	1
	65301080	COMBUSTION HEAD VB 2.66/77 BRANDERKOP VB 2.66/77	TETE COMB. VB 2.66/77 CABEZA VB 2.66/77	TESTA COMB. VB 2.66/77	1
	65301081	COMBUSTION HEAD VB 2.85 BRANDERKOP VB 2.85	TETE COMB. VB 2.85 CABEZA VB 2.85	TESTA COMB. VB 2.85	1
	65301082	COMBUSTION HEAD VB 2.95 BRANDERKOP VB 2.95	TETE COMB. VB 2.95 CABEZA VB 2.95	TESTA COMB. VB 2.95	1
	65301228	COMBUSTION HEAD VB 2.45/54 BRANDERKOP VB 2.45/54	TETE COMB. VB 2.45/54 CABEZA VB 2.45/54	TESTA COMB. VB 2.45/54	1
2105	13011128	NOZZLE ADJUST TEMPLATE INSTELSLABLOON VOOR DE SPROEIER	GABARIT DE REGLAGE PLANTILLA DE PUESTA A PUNTO	GUIDA REGOLAZ. UGELLO	1
2107	13006071	AIR NOZZLE D.24 LUCHTSPROEIER D.24	OGIVE AIR D.24 BOQUILLA DE AIRE D.24	OGIVA ARIA D.24	1
2109	13005659	ADJUST RING / SECONDARY AIR D76.5X35 DOSEERRING D76.5X35	ANNEAU DE DOSAGE D76.5X35 ANILLO D76.5X35	ANELLO DOSATORE D76.5X35	1
	13023781	ADJUST RING MB92X/93X DOSEER-RING MB92X/93X	BAGUE REGL. MB92X/93X ANILLO MB92X/93X	ANELLO REGOL. MB92X/93X	1
2110	13005712	BAFFLE PLATE ASSEMBLY MB824 MENGKOP COMPLEET MB824	ENSEMBLE DEFLECTEUR MB824 DEFLECTOR COMPLETO MB824	TESTINA MISCELATRICE COMPLETA MB824	1
	65301084	BAFFLE PLATE ASSEMBLY MB927 KOMPLETTE MISCHKOP MB927 MEKU	ENSEMBLE DEFLECTEUR MB927 DEFLECTOR MB927	GRUPPO DEFLETTORE MB927	1
	65301085	BAFFLE PLATE ASSEMBLY MB929 KOMPLETTE MISCHKOP MB929 MEKU	ENSEMBLE DEFLECTEUR MB929 DEFLECTOR MB929	GRUPPO DEFLETTORE MB929	1
	65301086	BAFFLE PLATE ASSEMBLY MB931 MEKU KOMPLETTE MISCHKOP MB931 MEKU	ENSEMBLE DEFLECTEUR MB931 MEKU DEFLECTOR MB931	GRUPPO DEFLETTORE MB931 MEKU	1
	65301225	BAFFLE PLATE ASSEMBLY MB824 WITH GLASS MENGKOP COMPLEET MB824 MET GLAS	ENSEMBLE DEFLECTEUR MB824 AVEC VERRE DEFLECTOR MB824 CON VIDRIO	TESTINA MISCELATRICE COMP.MB824 CON VET.	1
2120	13011129	IGNIT.ELECTRODE D7/12X80 D6,4 D2X67 R+L ONTSTEKINGSPEN D7/12X80 D6,4 D2X67 R+L	ELECTRODE ALLUMAGE D7/12X80D6,4 D2X67R+L ELECTRODO ENC. D7/12X80 D6,4 D2X67 R+L	ELETTRODO ACCEN. D7/12X80 D6,4D2X67 R+L	1
	65301088	IGNIT.ELECTR. D7/12X80D6,4D3X87,5 10°R+L ONTSTEKINGSPEND7/12X80D6,4D3X87,5 10°R+L	ELECT.ALLU.D7/12X80 D6,4 D3X87,5 10° R+L ELECTRODO ENC.D7/12X80D6,4D3X87,5 10°R+L	ELETTRODO ACC.D7/12X80D6,4D3X87,5 10°R+L	1
2121	65001993	FLAME LIGHT GUIDING TUBE D13X40 VLAM LICHTGELEIDENDE BUIS D13X40	TUBE GUIDE DETECT. FLAMME D13X40 TUBO PARA DETECT. LLAMA D13X40	TUBO PER RILEV. FIAMMA D13X40	1
2130	65326691	NOZZLE ROD WITH PREHEATER L196 SPROEIERLIJNE MET VORWARMER L196	LIGNE GICLEUR AVEC PRECHAUFFEUR L196 LÍNEA DE BOQUILLA CON PRECALENTADOR L196	LINEA UGELLO CON PRERISCALDATORE L196	1
	65326692	NOZZLE ROD WITH PREHEATER L246 SPROEIERLIJNE MET VORWARMER L246	LIGNE GICLEUR AVEC PRECHAUFFEUR L246 LÍNEA DE BOQUILLA CON PRECALENTADOR L246	LINEA UGELLO CON PRERISCALDATORE L246	1
2140	13022582	IGNITION CABLE D4/D6,35 L430 AP ONTSTEKINGSKABEL D4/D6,35 L430 AP	CABLE ALLUMAGE D4/D6,35 L430 AP CABLE ENCENDIDO D4/D6,35 L430 AP	CAVO ACCENSIONE D4/D6,35 L430 AP	1
2150	13017802	ADJUST SCALE INSTELLING SCHAAL	REGLETTE GRADUEE REGLETA GRADUADA	REGOLAZIONE GRADUATA	1
2155	65301097	SEAL / NOZZLE LINE PAKKING / SPROEIERLIJNE	JOINT / LIGNE GICLEUR JUNTA/PORTA BOQUILLA	GUARNIZIONE / LINEA PORTA UGELLO	1
2160	65301055	CAP / COMMAND PANEL DASHBOARDPLAAT	PLAQUETTE TABLEAU DE BORD PLACA DEL PANEL DE CONTROL	PIASTRA DI COPERTURA	1
2165	13020382	RUBBER FUNNEL 34x15/12 2xD3,25+D6,20 DRAADDOORVOER 34x15/12 2xD3,25+D6,20	PASSE-CABLE 34x15/12 2xD3,25+D6,20 PASACABLE 34x15/12 2xD3,25+D6,20	PASSACAVO 34x15/12 2xD3,25+D6,20	1
2285	65326694	SCREW M6X55 KOMBITORX SCHROEF M6X55 KOMBITORX	VIS M6X55 KOMBITORX TORNILLO M6X55 KOMBITORX	VITE M6X55 KOMBITORX	1
2300	13011319	FLAME CUP D76,6/100 L150 (617) VOORZETBUIS D76,6/100 L150 (617)	EMBOUT AVANT D76,6/100 L150 (617) COPA DE COMBUSTION D76,6/100 L150 (617)	CAMPANA D76,6/100 L150 (617)	1
	13017048	FLAME CUP D86,5/120 L190 FP617 VOORZETBUIS D86,5/120 L190 FP617	EMBOUT AVANT D86,5/120 L190 FP617 COPA DE COMBUSTION D86,5/120 L190 FP617	CAMPANA D86,5/120 L190 FP617	1
	65326693	FLAME CUP D105XD86.5X180 (617) VLAMMONTOP D105XD86.5X180 (617)	EMBOUT AVANT D105XD86.5X180 (617) COPA DE COMBUSTION D105XD86.5X180 (617)	CAMPANA D105XD86.5X180 (617)	1
2310	13022754	BOILER ACCESSORY D80 EUROFLANGE BEVESTIGINGSSET KETEL D80 EUROFLENS	ACCESSOIRE CHAUDIERE D80 EUROBRIDE ACCESORIO CALDERA D80 EUROBRIDE	ACCESSORIO CALDAIA D80 EUROFLANGIA	1
	13023304	BOILER ACCESSORY D100 EUROFLANGE BEVESTIGINGSSET KETEL D100 EUROFLENS	ACCESSOIRE CHAUDIERE D100 EUROBRIDE ACCESORIO CALDERA D100 EUROBRIDA	ACCESSORIO CALDAIA D100 EUROFLANGIA	5
2311	13022749	FLANGE SEAL D80 OPHANGFLENS D.80	JOINT DE FACADE CHAUDIERE D80 JUNTA/FRONTAL DE LA CALDERA D80	GUARNIZIONE LATO FRONTALE CALDAIA D80	1
	13023305	GASKET/BOILER FRONT D.100 AFDICHTING/KETELFRONT D.100	JOINT/FAÇADE CHAUDIERE D.100 JUNTA/FRONTAL DE LA CALDERA D.100	GUARNIZIONE/LATO FRONTALE CALDAIA D.100	1
2312	13011148	MESH GASKETING D.80 GEVLOCHTE DICHTING D.80	JOINT TRESSE D.80 JUNTA TRENZADA D.80	GUARNIZIONE INTRECCIATA D.80	1
	13020517	MESH GASKET D115 5X5-377 GEVLOCHTEN AFDICHTING D115 5X5-377	JOINT TRESSE D115 5X5-377 JUNTA TRENZADA D115 5X5-377	GUARNIZIONE INTRECCIATA D115 5X5-377	1











## ADRESSEN

[www.elco.net](http://www.elco.net)

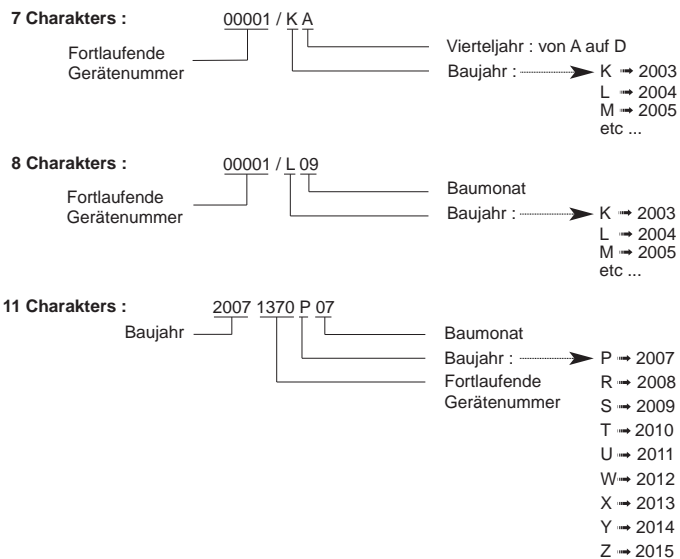


## VERWENDETE ABKÜRZUNGEN

-  : Maintenance parts / Pièces d'entretien / Materiali di consumo /  
: Piezas de mantenimiento / Hilfsmaterial / Onderhoudsonderdelen
-  : Wearing parts / Pièces d'usure / Parti di usura  
: Piezas de desgaste / Verschleissteile / Slijtageonderdelen
- \* : Item not stocked, manufactured to order / Article non stocké, fabrication à la demande /  
: Articolo non a magazzino, produzione all'ordine / Artículo no almacenado, fabricación previa solicitud /  
: Keine Lagerware, wird bei Bedarf bestellt, Artikel niet op voorraad, fabricage op bestelling

## TYPENSCHILD

### SERIENNUMMER



Die Angaben zu Preislisten bzw. kaufmännischen oder technischen Unterlagen, zu Abbildungen oder Maßangaben sind unverbindlich und nur für einen bestimmten Zeitraum gültig. Der Hersteller behält sich das Recht vor, Änderungen jeder Art in Bezug auf die Darstellung, die Form, die Maße, die Konzeption oder das Material ihrer Produkte vorzunehmen.