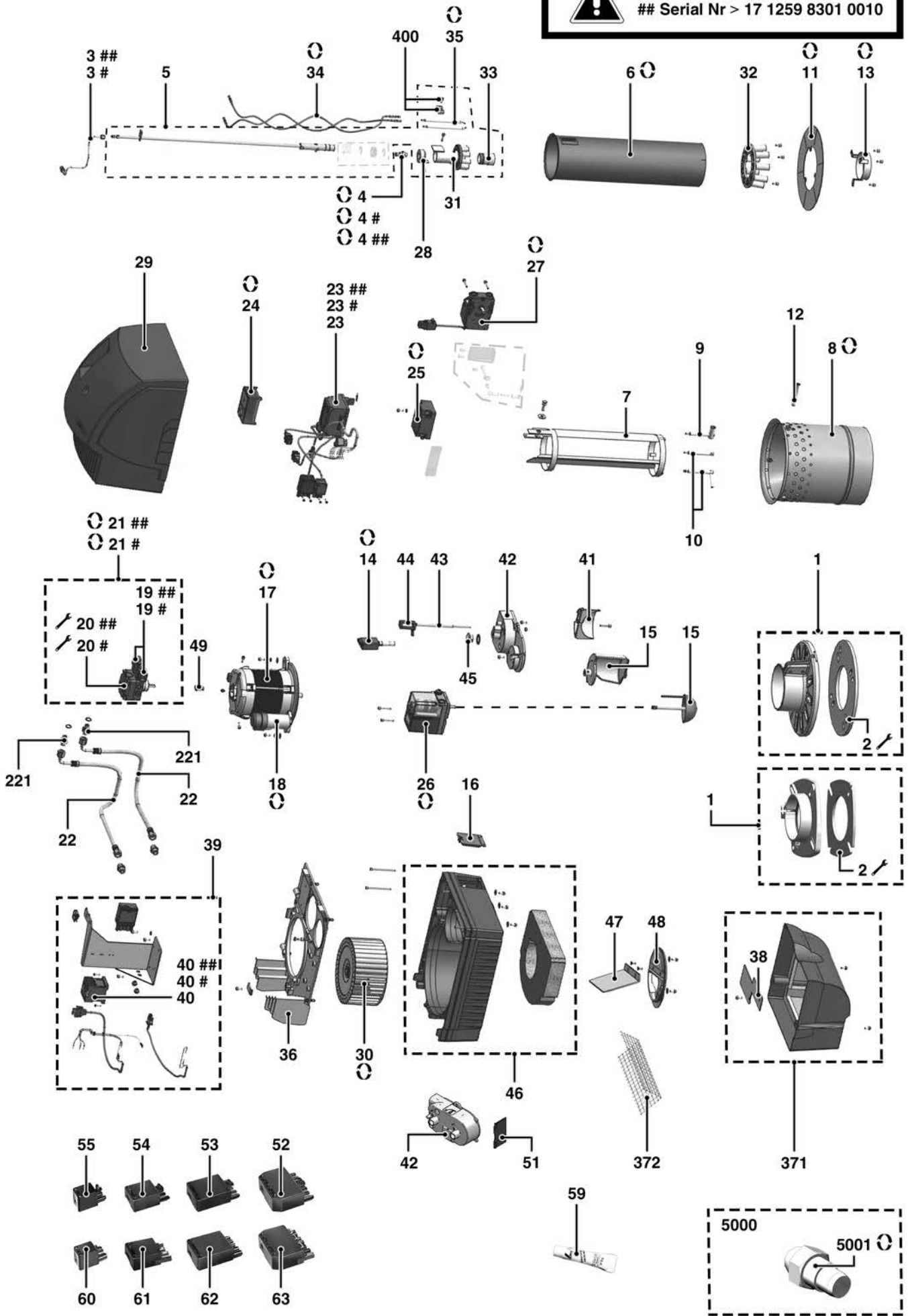


## ERSATZTEILKATALOG ÖLBRENNER Gerätemodelle VECTRON B 30-35 DUO

R8220139-05 - 05/03/2019

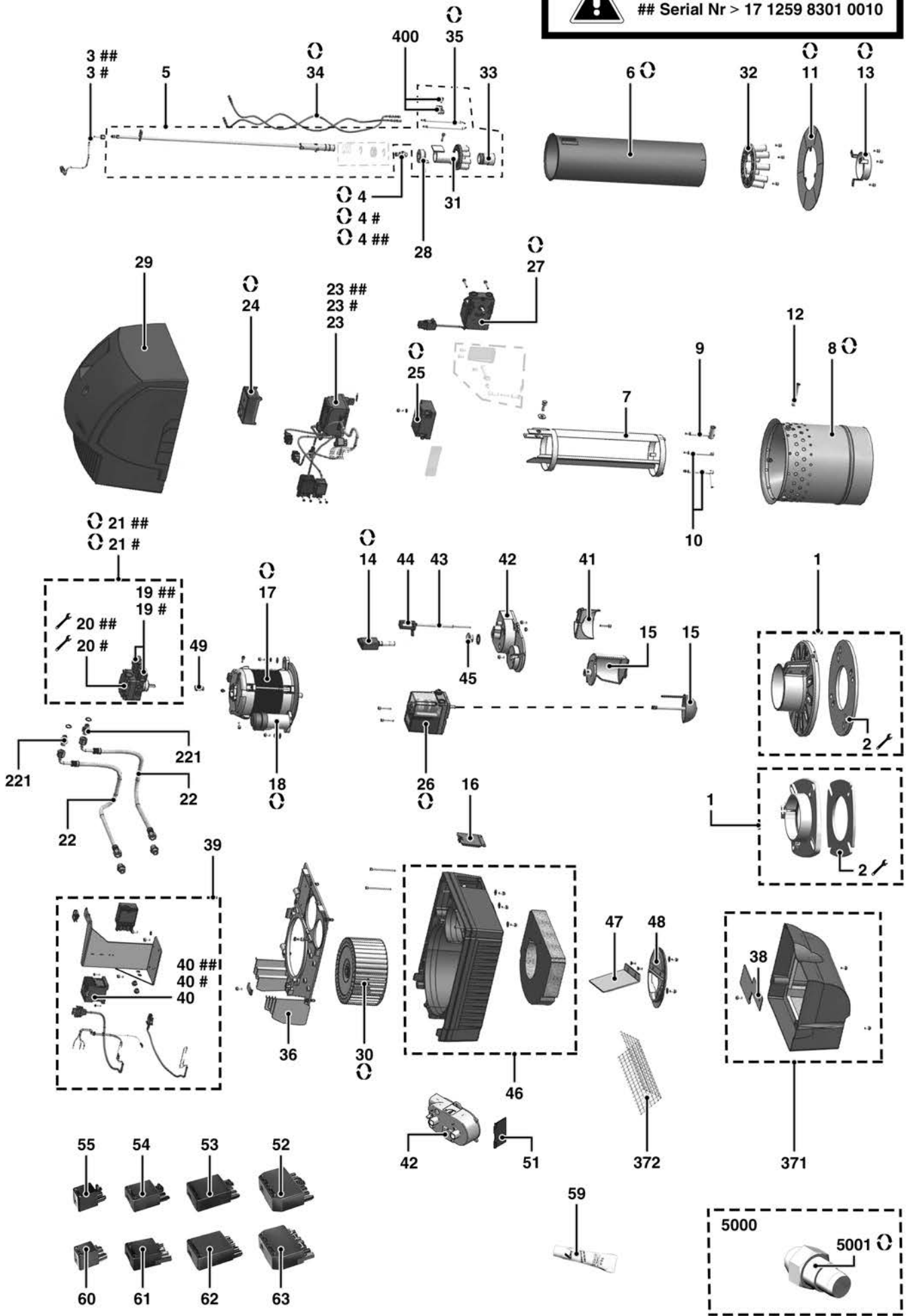
1	3722921	VECTRON B 30.120 DUO	04-2015	-
2	3722922	VECTRON B 30.190 DUO	04-2015	-
3	3722923	VECTRON B 30.230 DUO	04-2015	-
4	3722924	VECTRON B 35.320 DUO	04-2015	-
5	3722925	VECTRON B 35.370 DUO	04-2015	-
Spalte	Artikelnr	Betroffene Modelle	Baubeginn	Bauende

 # Serial Nr ≤ 17 1259 8301 0010  
## Serial Nr > 17 1259 8301 0010





 # Serial Nr ≤ 17 1259 8301 0010  
## Serial Nr > 17 1259 8301 0010

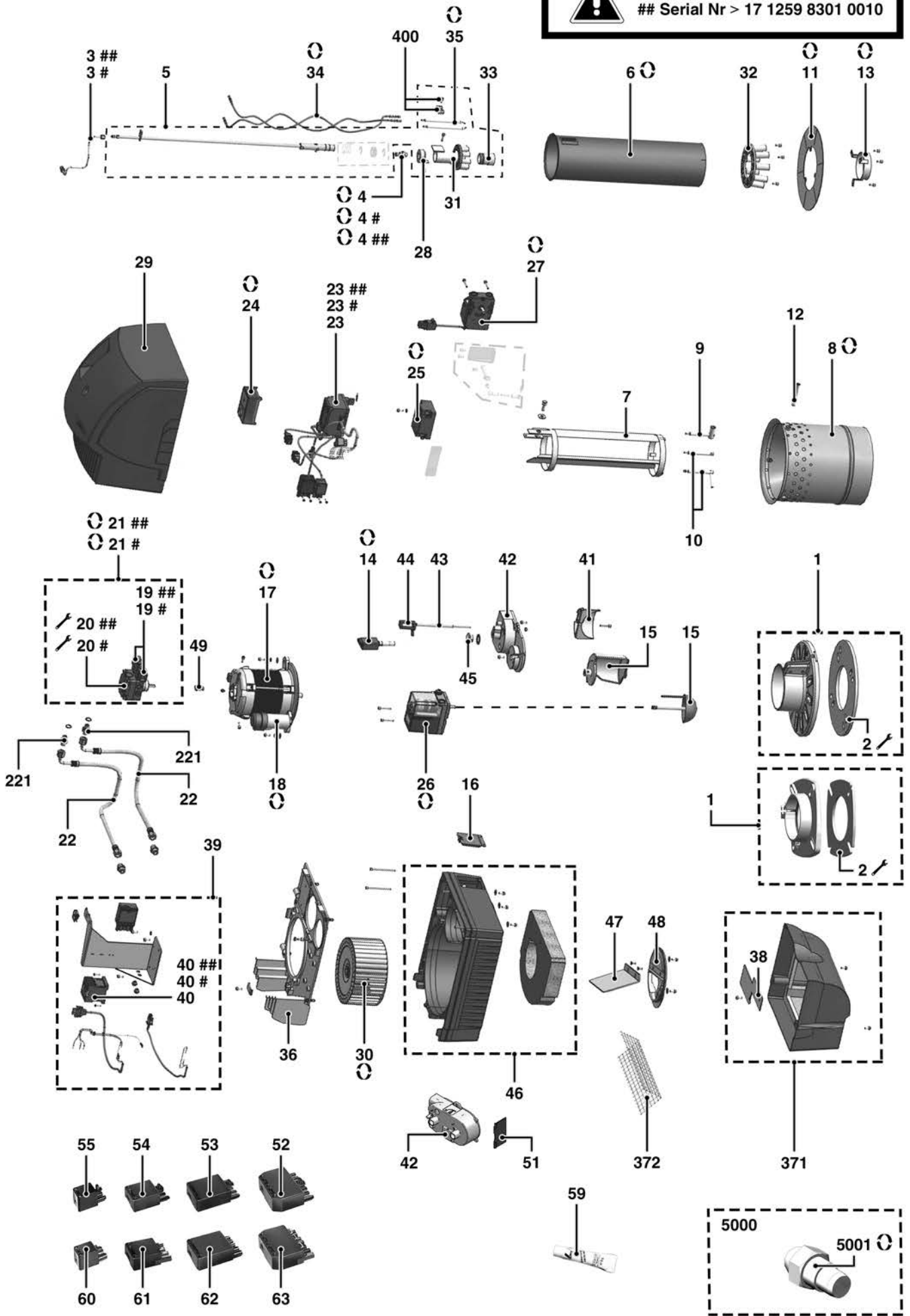


☉→	Bezeichnung	Artikel Nr.	Typ	<div style="display: flex; justify-content: space-between; align-items: center;"> <div style="writing-mode: vertical-rl; transform: rotate(180deg); font-size: small;">           VECTRON B 30-120 DUO            VECTRON B 30-180 DUO            VECTRON B 30-230 DUO            VECTRON B 35-320 DUO            VECTRON B 35-370 DUO         </div> <div style="border: 1px solid black; padding: 2px;">  31         </div> </div>																		Ab	bis
				1	2	3	4	5	6	7	8	9	10	11	12	13	14	15	16	17	18		
0029	BRENNERHAUBE LICHTGRAU VB30/35	60002425		•	•	•	•	•															
0030	VENTILATORRAD D180X71 d12,7	60002478		•	•	•																	
	VENTILATORRAD D180X92 d12,7	60002479					•	•															
0031	LUFTDUE. INT.9XD9.5 NR3 D69/31 D35/28	65002449				•																	
	LUFTDUE.INT. 9XD11 NR1 D68/31 D35/28	65002319						•	•														
	LUFTDUESE INTERN 9XD6 NR1 D69/31 D35/28	65002322		•																			
	LUFTDUESE INTERN 9XD8 NR2 D69/31 D35/28	65002323			•																		
0032	LUFTDUESE EXTERN 9XD12 NR.2 D120/68	65002315			•																		
	LUFTDUESE EXTERN 9XD14.5 NR. 3 D120/68	65002316					•	•															
	LUFTDUESE EXTERN 9XD16 NR. 4 D120/68	65002317							•														
	LUFTDUESE EXTERN 9XD9.5 NR. 1 D120/68	65002318		•																			
0033	EINSATZ D14/33,5/30,9X39,5	60002433		•																			
	EINSATZ D15/33,5/30,9X39,5	60002434			•																		
	EINSATZ D16/33,5/30,9X39,5	60002435				•	•	•															
0034	ZUENDKABEL L390MM	60002495		•	•	•																	
	ZUENDKABEL L550MM	60002496					•	•															
0035	ZUENDELEKTRODE D4X120 D2X14.6MM	60002492		•	•	•																	
	ZUENDELEKTRODEN D4X120 D2.5X7.3MM	60002493					•	•															
0036	GERAETEPLATTE ALU	65002287		•	•	•																	
	GERAETEPLATTE ALU	65002289					•	•															
0038	ABDECKUNG Z.SCHALLREDUZIERUNG 200X80X2	65002251					•	•															
0039	HALTER Z. OELF-AUTOMAT KPL.	65002299		•	•	•																	
	HALTER Z. OELF-AUTOMAT KPL.	65002300					•	•															
0040	SCHUTZ LC1 K0910 P7 TQ	60002452					•	•															
	SCHUTZ LC1 K0910 P7 TQ	60002452	##	•	•	•																	
	SCHUTZ LC1K0910P7TQ+KABELBAUM	65302139	##	•	•	•																	
0041	LUFTFUEHRUNG	65002450					•	•															
0042	LUFTLEITGEHAEUSE	65002328		•	•	•																	
	LUFTLEITGEHAEUSE	65002329					•	•															
0043	EINSTELLSCHRAUBE DUESENPOS.	60002436		•	•	•	•	•															
0044	SKALA DUESENPOSITION	60002472		•	•	•	•	•															
0045	SCHAUGLAS	60002470		•	•	•	•	•															
0046	BRENNERGEHAEUSE	65002268		•	•	•																	
	BRENNERGEHAEUSE	65002269					•	•															
0047	PLATTE Z. ANSAUGLUFTFUEHRUNG 144X43.9X3	60002459		•																			
	PLATTE Z. ANSAUGLUFTFUEHRUNG 144X62.3X3	60002460			•	•																	
	PLATTE Z. ANSAUGLUFTFUEHRUNG 145X92.1X3	60002461					•	•															
0048	ANSAUGLUFTFUEHRUNG D152/70	65002252		•	•	•																	
	ANSAUGLUFTFUEHRUNG D152/74	65002253					•	•															
0049	KUPPLUNG D18/14,7/11X22 PUMPE/MOTOR	65074172		•	•	•	•	•															
0051	TEILMONTAGE LUFTKLAPPE	60002503		•	•	•	•	•															
0052	WIELANDST.STECKERTEIL 7-POL.SCHWARZ	60002491		•	•	•	•	•															
0053	WIELANDST.STECKERTEIL 5-POL.SCHWARZ	60002490					•	•															
0054	WIELANDST.STECKERTEIL 4-POL.GRUEN	60002489		•	•	•	•	•															
0055	WIELANDST.STECKERTEIL 3-POL.SCHWARZ	60002488		•	•	•	•	•															
0059	HOCHTEMP-FETT HM 83-402 BIS 260°C (5GRA)	65110723		•	•	•	•	•															
0060	WIELANDST.BUCHSENTEIL 3-POL.SCHWARZ	60002483		•	•	•	•	•															
0061	WIELANDST.BUCHSENTEIL 4-POL.GRUEN	60002484		•	•	•	•	•															
0062	WIELANDST.BUCHSENTEIL 5-POL.	60002485					•	•															
0063	WIELANDST.STECKERTEIL 7-POL.SCHWARZBRAUN	60002486		•	•	•	•	•															
0221	DOPPELNIPPEL R1/4Z-R1/4Z	1460118072		•	•	•	•	•															
0371	LUFTANSAUGKASTEN	65002309		•	•	•																	
	LUFTANSAUGKASTEN	65002310					•	•															
0372	SCHUTZGITTER	65002359		•	•	•																	
0400	BEFESTIGUNG ZUENDELEKTRODEN	65002261		•	•	•	•	•															

VECTRON B 30-35 DUO

Ölbrenner

 # Serial Nr ≤ 17 1259 8301 0010  
## Serial Nr > 17 1259 8301 0010



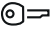




		EN	FR	IT	
		NL	ES		
0001	11040261	CONNECTION FLANGE+GASK. D120 TK D160-200 VERBIND. FLENS+AFDICHT. D120 TK D160-200	BRIDE DE RACCORD.+JOINT D120 TK D160-200 BRIDA DE CONEXION+JUNTA D120 TK D160-200	FLANGIA RACCOR.+GUARNIZ.D120 TK D160-200	1
	65002256	CONNECTION FLANGE+GASKET D260X120 VERBINDING FLENS+AFDICHTING D260X120	BRIDE DE RACCORD.+JOINT D260X120 BRIDA DE CONEXION+JUNTA D260X120	FLANGIA DI RACCORDO+GUARNIZIONE D260X120	1
0002	11040260	GASKET/BOILER FRONT D120 TKD160-180 AFDICHTING/KETELFRONT D120 TKD160-180	JOINT/FACADE CHAUDIERE D120 TKD160-180 JUNTA/FRONTAL DE CALDERA D120 TKD160-180	GUARNI./LATO FRONT.CALDA.D120 TKD160-180	1
	60002442	GASKET/BOILER FRONT D260X120 AFDICHTING/KETELFRONT D260X120	JOINT/FACADE CHAUDIERE D260X120 JUNTA/FRONTAL DE LA CALDERA D260X120	GUARNIZ./LATO FRONTALE CALDAIA D260X120	1
0003	60002429	OIL FEED TUBE VB30 TOEVOERLEIDING SPROEIER VB30	TUBE POMPE/LIGNE GICLEUR VB30 TUBO BOMBA/LINEA BOQUILLA VB30	TUBETTO POMPA/LINEA UGELLO VB30	1
	60002430	OIL FEED TUBE VB35 TOEVOERLEIDING SPROEIER VB35	TUBE POMPE/LIGNE GICLEUR VB35 TUBO BOMBA/LINEA BOQUILLA VB35	TUBETTO POMPA/LINEA UGELLO VB35	1
	65302135	TUBE SUN P2 BUIS SUN P2	TUBE SUN P2 TUBERIA SUN P2	TUBO SUN P2	1
	65302136	TUBE SUN P2+ BUIS SUN P2+	TUBE SUN P2+ TUBERIA SUN P2+	TUBO SUN P2+	1
	121367	NOZZLE DEL 1,75GPH 80° A SPROEIER DEL 1,75GPH 80° A	GICLEUR DEL 1,75GPH 80° A BOQUILLA DEL 1,75GPH 80° A	UGELLO DEL 1,75GPH 80° A	1
0004	121371	NOZZLE DEL 2,75GPH 80° A SPROEIER DEL 2,75GPH 80° A	GICLEUR DEL 2,75GPH 80° A BOQUILLA DEL 2,75GPH 80° A	UGELLO DEL 2,75GPH 80° A	1
	121555	NOZZLE DEL 3,25GPH 80° A SPROEIER DEL 3,25GPH 80° A	GICLEUR DEL 3,25GPH 80° A BOQUILLA DEL 3,25GPH 80° A	UGELLO DEL 3,25GPH 80° A	1
	121556	NOZZLE DEL 3,50GPH 80° A SPROEIER DEL 3,50GPH 80° A	GICLEUR DEL 3,50GPH 80° A BOQUILLA DEL 3,50GPH 80° A	UGELLO DEL 3,50GPH 80° A	1
	121558	NOZZLE DEL 4,50GPH 80° A SPROEIER DEL 4,50GPH 80° A	GICLEUR DEL 4,50GPH 80° A BOQUILLA DEL 4,50GPH 80° A	UGELLO DEL 4,50GPH 80° A	1
	65323382	NOZZLE DAN 1,65GPH 80° S SPROEIER DAN 1,65GPH 80° S	GICLEUR DAN 1,65GPH 80° S BOQUILLA DAN 1,65GPH 80° S	UGELLO DAN 1,65GPH 80° S	10
0005	65002282	NOZZLE LINE VB30 L505MM SPROEIERLIJN VB30 L505MM	LIGNE GICLEUR VB30 L505MM PORTA-BOQUILLA VB30 L505MM	LINEA P. UGELLO VB30 L505MM	1
	65002283	NOZZLE LINE VB35 L630MM SPROEIERLIJN VB35 L630MM	LIGNE GICLEUR VB35 L630MM PORTA-BOQUILLA VB35 L630MM	LINEA P. UGELLO VB35 L630MM	1
0006	65002274	PAINTED FLAME TUBE D120X300MM VB30 VLAMBUIS GESCHILDERD D120X300MM VB30	TUBE DE FLAMME PEINT D120X300MM VB30 TUBO DE LLAMA PINTADA D120X300MM VB30	BOCCAGLIO DIPINTO D120X300MM VB30	1
	65002275	PAINTED FLAME TUBE D120X420MM VB35 VLAMBUIS GESCHILDERD D120X420MM VB35	TUBE DE FLAMME PEINT D120X420MM VB35 TUBO DE LLAMA PINTADA D120X420MM VB35	BOCCAGLIO DIPINTO D120X420MM VB35	1
0007	65002350	SLIDING ROD L276MM VB30 VERSTELBARE STANG L276MM VB30	TIGE COULISSANTE L276MM VB30 VARILLA CORREDIZA L276MM VB30	ASTA SCORREVOLE L276MM VB30	1
	65002351	SLIDING ROD L360MM VB35 VERSTELBARE STANG L360MM VB35	TIGE COULISSANTE L360MM VB35 VARILLA CORREDIZA L360MM VB35	ASTA SCORREVOLE L360MM VB35	1
0008	65002368	FLAME CUP D160X200MM VB30.190/230 VLAMMENTOP D160X200MM VB30.190/230	EMBOUT AVANT D160X200MM VB30.190/230 COPA DE COMBUST. D160X200MM VB30.190/230	CAMPANA D160X200MM VB30.190/230	1
	65002369	FLAME CUP D180X210MM VB35.320 VLAMMENTOP D180X210MM VB35.320	EMBOUT AVANT D180X210MM VB35.320 COPA DE COMBUSTION D180X210MM VB35.320	CAMPANA D180X210MM VB35.320	1
	65002370	FLAME CUP D210X250MM VB35.370 VLAMMENTOP D210X250MM VB35.370	EMBOUT AVANT D210X250MM VB35.370 COPA DE COMBUSTION D210X250MM VB35.370	CAMPANA D210X250MM VB35.370	1
	65003206	FLAME CUP D170/150 L170 VB30.120 VLAMMENTOP D170/150 L170 VB30.120	EMBOUT AVANT D170/150 L170 VB30.120 COPA COMBUSTION D170/150 L170 VB30.120	CAMPANA D170/150 L170 VB30.120	1
0009	65002295	UPPER FLAME TUBE SUPP. VB30.120 STEUN VLAMBUIS BOV. VB30.120	SUPP. TUBE FLAM. SUP. VB30.120 SOP. TUBO LLAMA SUP. VB30.120	SUPP. BOCCAGLIO SUP. VB30.120	1
	65002296	UPPER FLAME TUBE SUPP. VB30.190/230 VB35 STEUN VLAMBUIS BOV. VB30.190/230 VB35	SUPP. TUBE FLAM. SUP. VB30.190/230 VB35 SOP. TUBO LLAMA SUP. VB30.190/230 VB35	SUPP. BOCCAGLIO SUP. VB30.190/230 VB35	1
0010	65002297	LOWER FLAME TUBE SUPPORT VB30 STEUN VLAMBUIS ONDER VB30	SUPPORT TUBE DE FLAMME INF. VB30 SOPORTE TUBO DE LLAMA INF. VB30	SUPPORTO BOCCAGLIO INF. VB30	1
	65002298	LOWER FLAME TUBE SUPPORT VB35 STEUN VLAMBUIS ONDER VB35	SUPPORT TUBE DE FLAMME INF. VB35 SOPORTE TUBO DE LLAMA INF. VB35	SUPPORTO BOCCAGLIO INF. VB35	1
0011	65002339	FLAME TUBE PLATE D175 VB30.120 VLAMBUISPLAAT D175 VB30.120	PLAQUE TUBE FLAM. D175 VB30.120 PLACA TUBO LLAMA D175 VB30.120	PIASTRA BOCCAGLIO D175 VB30.120	1
	65002340	FLAME TUBE PLATE D190 VB30.190 VLAMBUISPLAAT D190 VB30.190	PLAQUE TUBE FLAM. D190 VB30.190 PLACA TUBO LLAMA D190 VB30.190	PIASTRA BOCCAGLIO D190 VB30.190	1
	65002341	FLAME TUBE PLATE D210 VB30.230 VB35.320 VLAMBUISPLAAT D210 VB30.230 VB35.320	PLAQUE TUBE FLAM. D210 VB30.230 VB35.320 PLACA TUBO LLAMA D210 VB30.230 VB35.320	PIASTRA BOCCAGLIO D210 VB30.230 VB35.320	1
	65002342	FLAME TUBE PLATE D230 VB35.370 VLAMBUISPLAAT D230 VB35.370	PLAQUE TUBE FLAM. D230 VB35.370 PLACA TUBO LLAMA D230 VB35.370	PIASTRA BOCCAGLIO D230 VB35.370	1
0012	60002422	FLAME TUBE MOUNTING D10X38MM VB30 BEVESTIGING VLAMBUIS D10X38MM VB30	FIXAT. TUBE DE FLAMME D10X38MM VB30 FIJACION TUBO DE LLAMA D10X38MM VB30	FISSAGGIO BOCCAGLIO D10X38MM VB30	1
	60002423	FLAME TUBE MOUNTING D10X48MM VB35.320 BEVESTIGING VLAMBUIS D10X48MM VB35.320	FIXAT. TUBE DE FLAMME D10X48MM VB35.320 FIJACION TUBO DE LLAMA D10X48MM VB35.320	FISSAGGIO BOCCAGLIO D10X48MM VB35.320	1
	60002424	FLAME TUBE MOUNTING D10X67MM VB35.370 BEVESTIGING VLAMBUIS D10X67MM VB35.370	FIXAT. TUBE DE FLAMME D10X67MM VB35.370 FIJACION TUBO DE LLAMA D10X67MM VB35.370	FISSAGGIO BOCCAGLIO D10X67MM VB35.370	1
0013	65002277	INNER RING D72/69X15MM VB30 BINNENSTE RING D72/69X15MM VB30	BAGUE INTERIEURE D72/69X15MM VB30 ANILLO INTERNO D72/69X15MM VB30	ANELLO INTERNO D72/69X15MM VB30	1

		EN		FR		IT		
		NL		ES				
	65002278	INNER RING D75/72X20MM VB35 BINNENSTE RING D75/72X20MM VB35		BAGUE INTERIEURE D75/72X20MM VB35 ANILLO INTERNO D75/72X20MM VB35		ANELLO INTERNO D75/72X20MM VB35		1
0014	60002441	PHOTOCELL IRD 1010.1 BLUE AXIAL FOTOCEL IRD 1010.1 BLAUW AXIAAL		CELLULE IRD 1010.1 BLEU AXIAL CELULA IRD 1010.1 AZUL AXIAL		CELLULA IRD 1010.1 BLU ASSIALE		1
	65115366	PHOTOCELL KLC 2002 FOTOCEL KLC 2002		CELLULE KLC 2002 CELULA KLC 2002		FOTOCELLULA KLC 2002		1
0015	65002324	AIR ADJUSTMENT CONE VB30 KEGEL LUCHTINSTELLING VB30		CONE REGLAGE AIR VB30 CONO AJUSTE DE AIRE VB30		CONO REGOLAZIONE ARIA VB30		1
	65002327	AIR FLAP VB35 LUCHTKLEP VB35		VOLET AIR VB35 VALVULA AIRE VB35		SERRANDA ARIA VB35		1
0016	60002427	PLASTIC COVER VB30/35/40/45 PLASTIC DEKSEL VB30/35/40/45		COUVERCLE PLASTIQUE VB30/35/40/45 TAPA DE PLASTICO VB30/35/40/45		COPERCHIO DI PLASTICA VB30/35/40/45		1
0017	65002333	MOTOR 230V 260W VB30 MOTOR 230V 260W VB30		MOTEUR 230V 260W VB30 MOTOR 230V 260W VB30		MOTORE 230V 260W VB30		1
	65002334	MOTOR 230V 380W VB30 MOTOR 230V 380W VB30		MOTEUR 230V 380W VB30 MOTOR 230V 380W VB30		MOTORE 230V 380W VB30		1
	65002335	MOTOR 230V 650W VB35 MOTOR 230V 650W VB35		MOTEUR 230V 650W VB35 MOTOR 230V 650W VB35		MOTORE 230V 650W VB35		1
0018	65002305	CAPACITOR 12µF FOR MOTOR 150W/380W CONDENSATOR 12µF VOOR MOTOR 150W/380W		CONDENSATEUR 12µF POUR MOTEUR 150W/380W CONDENSADOR 12µF PARA MOTOR 150W/380W		CONDENSATORE 12µF PER MOTORE 150W/380W		1
	65002306	CAPACITOR 16µF FOR MOTOR 650W CONDENSATOR 16µF VOOR MOTOR 650W		CONDENSATEUR 16µF POUR MOTEUR 650W CONDENSADOR 16µF PARA MOTOR 650W		CONDENSATORE 16µF PER MOTORE 650W		1
	65002307	CAPACITOR 8µF FOR MOTOR 260W CONDENSATOR 8µF VOOR MOTOR 260W		CONDENSATEUR 8µF POUR MOTEUR 260W CONDENSADOR 8µF PARA MOTOR 260W		CONDENSATORE 8µF PER MOTORE 260W		1
0019	13010006	COIL SUN PUMP AS-AP-AL-AT-A2L MAGNEETSPOEL SUN POMP AS-AP-AL-AT-A2L		BOBINE SUN POMPE AS-AP-AL-AT-A2L BOBINA SUN BOMBA AS-AP-AL-AT-A2L		BOBINA SUN POMPA AS-AP-AL-AT-A2L		1
	60002447	COIL DAN NC 0071N0051 SPOEL NC/OLIEPOMP DAN		BOBINE DAN NC 0071N0051 BOBINA DAN NC 0071N0051		BOBINA DAN NC 0071N0051		1
	60002448	COIL DAN NO 0071N0054 SPOEL DAN NO 0071N0054		BOBINE DAN NO 0071N0054 BOBINA DAN NO 0071N0054		BOBINA DAN NO 0071N0054		1
0020	13010468	KIT FILTER D20 SUN PUMP A 47/57/67 SET FILTER POMP SUN A47-57-67		KIT FILTRE D20 A 47/57/67 KIT FILTRO BOMBA SUN A47-57-67		KIT FILTRO POMPA SUN D20 A 47/57/67		1
	60002437	SCREEN FILTER/PUMP SUN 991530 ZEEFILTER/POMP SUN 991530		FILTRE TAMIS/POMPE SUN 991530 FILTRO DE TAMIZ/BOMBA SUN 991530		SET FILTRI/POMPA SUN 991530		1
	65325685	FILTER+GASKET/PUMP DAN FILTER EN DEKSELPAKKING POMP BFP52 DAN		FILTRE+JOINT/POMPE DAN FILTRO+JUNTA/BOMBA DAN		FILTRO+GUARNIZIONE/POMPA DAN		1
0021	60002464	PUMP DANFOSS BFP 52E R3 POMP DANFOSS BFP 52E R3		POMPE BFP 52E R3 BOMBA DANFOSS BFP 52E R3		POMPA DANFOSS BFP 52E R3		1
	60002465	PUMP DANFOSS BFP 52E R5 POMP DANFOSS BFP 52E R5		POMPE BFP 52E R5 BOMBA DANFOSS BFP 52E R5		POMPA DANFOSS BFP 52E R5		1
	65003418	PUMPSUN AT2 V 45 B 95XX 6P 0700 POMP SUN AT2 V 45 B 95XX 6P 0700		POMPE SUN AT2 V 45 B 95XX 6P 0700 BOMBA SUN AT2 V 45 B 95XX 6P 0700		POMPA SUN AT2 V 45 B 95XX 6P 0700		1
	65302137	PUMP SUN AT2V45B (+TUBES) POMP SUN AT2V45B (+BUIS)		POMPE SUN AT2V45B (+TUBES) BOMBA SUN AT2V45B (+TUBERIA)		POMPA SUN AT2V45B (+TUBI)		1
0022	60002456	OIL HOSE L 1.6M OLIESLANG L 1.6M		FLEXIBLE FIOUL L 1.6M LATIGUILLO GASOLEO L 1.6M		TUBO FLESSIBILE GASOLIO L 1.6M		1
	60002457	OIL HOSE L 1.8M OLIESLANG L 1.8M		FLEXIBLE FIOUL L 1.8M LATIGUILLO GASOLEO L 1.8M		TUBO FLESSIBILE GASOLIO L 1.8M		1
0023	60002473	BASE/OIL CTRL UNIT WITH CABL. VOET/OLIEBDRAUTOM. MET KABELS		SOCLE/COFFRET FIOUL AV. CABL. SOPORTE/PROGRAM. CON CABL.		SOC./APPARECC. GASOLIO CON CAVI		1
	60002474	BASE/OIL CTRL UNIT WITH CABL. VOET/OLIEBDRAUTOM. MET KABELS		SOCLE/COFFRET FIOUL AV. CABL. SOPORTE/PROGRAM. CON CABL.		SOC./APPARECC. GASOLIO CON CAVI		1
	65302138	BASE/OIL CTRL UNIT WITH CABL. VOET/OLIEBDRAUTOM. MET KABELS		SOCLE/COFFRET FIOUL AV. CABL. SOPORTE/PROGRAM. CON CABL.		SOC./APPARECC. GASOLIO CON CAVI		1
0024	60002453	CTRL UNIT DKO992 MOD20 W/O BASE (120s) BDRAUTOM. DKO992 MOD20 ZDER VOET (120s)		COFFRET DKO992 MOD20 SS SOCLE (120s) PROGRAM. DKO992 MOD20 SIN SOPORTE (120s)		APPARECC. DKO992 MOD20 SENZA SOC. (120s)		1
	60002454	CTRL UNIT DKO992 MOD21 W/O BASE (20s) BDRAUTOM. DKO992 MOD21 ZDER VOET (20s)		COFFRET DKO992 MOD21 SS SOCLE (20s) PROGRAM. DKO992 MOD21 SIN SOPORTE (20s)		APPARECC. DKO992 MOD21 SENZA SOC. (20s)		1
	60002455	CTRL UNIT DKO992 MOD.26 W/O BASE (60s) BDRAUTOM. DKO992 MOD.26 ZDER SVOET (60s)		COFFRET DKO992 MOD.26 SS SOCLE (60s) PROGRAM. DKO992 MOD.26 SIN SOPORTE (60s)		APPARECC. DKO992 MOD.26 SENZA SOC. (60s)		1
0025	60002499	IGNITION TRANSFORMER EBI 2X7.5KV ONTSTEKINGSTRAFO EBI 2X7.5KV		ALLUMEUR EBI 2X7.5KV ENCENDEDOR EBI 2X7.5KV		TRASFORMATORE ACCENSIONE EBI 2X7.5KV		1
0026	65002360	ACTUATOR AIR REGULATION STA3 VB30 REGELMOTOR LUCHTREGELING STA3 VB30		SERVOMOTEUR REGULATION D'AIR STA3 VB30 SERVOMOTOR REGULACION DE AIRE STA3 VB30		ATTUATORE REGOL. DELL'ARIA STA3 VB30		1
	65002361	ACTUATOR AIR REGULATION STA4.3B3 VB35 REGELMOTOR LUCHTREGELING STA4.3B3 VB35		SERVOMOTEUR REGULATION AIR STA4.3B3 VB35 SERVOMOTOR REGULACION AIRE STA4.3B3 VB35		ATTUATORE REGOL. DELL'ARIA STA4.3B3 VB35		1
0027	65002363	RECIRCUL. ACTUATOR STA30B1 WITH CABLE REGELMOTOR STA30B1 RECIRCUL. MET KABEL		SERVOMOTEUR STA30B1 RECIRCUL. AV. CABLE SERVOMOTOR RECIRCULAC. STA30B1 CON CABLE		ATTUATORE RICIRCOLO STA30B1 CON CAVO		1
0028	60002466	ADJUST CONE D36X31/10 STELKEGEL D36X31/10		CONE DE REGULATION D36X31/10 CONO DE AJUSTE D36X31/10		CONO DI REGOLAZIONE D36X31/10		1
0029	60002425	HOOD VB30/35 KAP VB30/35		CAPOT BRULEUR VB30/35 CUBIERTA VB30/35		COFANO VB30/35		1

								
		EN	NL	FR	ES	IT		
0030	60002478	FAN WHEEL D180X70MM D12.7 VB30 VENTILATORWIEL D180X70MM D12.7 VB30		TURBINE D180X70MM D12.7 VB30 TURBINA D180X70MM D12.7 VB30		VENTOLA D180X70MM D12.7 VB30		1
	60002479	FAN WHEEL D180X91MM D12.7 VB35 VENTILATORWIEL D180X91MM D12.7 VB35		TURBINE D180X91MM D12.7 VB35 TURBINA D180X91MM D12.7 VB35		VENTOLA D180X91MM D12.7 VB35		1
0031	65002319	AIR NOZ.INT.9XD11 NR1 VB.320/370/420/460 INT.AIR NOZ.9XD11 NR1 VB.320/370/420/460		DIF.AIR INT.9XD11 NR1 VB.320/370/420/460 DIF.AIRE INT.9XD11NR1 VB.320/370/420/460		INIE.AR.INT.9XD11 NR1 VB.320/370/420/460		1
	65002322	AIR NOZZ.INT.9XD6 NR1 VB30.120 INT.AIR NOZZ.9XD6 NR1 VB30.120		DIFF.AIR INT.9XD6 NR1 VB30.120 DIF.AIRE INT. 9XD6 NR1 VB30.120		INIET.AR.INT.9XD6 NR1 VB30.120		1
	65002323	AIR NOZZ.INT.9XD8 NR2 VB30.190 INT.AIR NOZZ.9XD8 NR2 VB30.190		DIFF.AIR INT.9XD8 NR2 VB30.190 DIF.AIRE INT. 9XD8 NR2 VB30.190		INIET.AR.INT.9XD8 NR2 VB30.190		1
	65002449	AIR NOZZ.INT.9XD9.5 NR3 VB30.230 INT.AIR NOZZ.9XD9.5 NR3 VB30.230		DIFF.AIR INT.9XD9.5 NR3 VB30.230 DIF.AIRE INT. 9XD9.5 NR3 VB30.230		INIET.AR.INT.9XD9.5 NR3 VB30.230		1
0032	65002315	AIR NOZZ.EXT.9XD12 NR2 VB30.190 EXT.AIR NOZZ.9XD12 NR2 VB30.190		DIFF.AIR EXT.9XD12 NR2 VB30.190 DIF.AIRE EXT.9XD12 NR2 VB30.190		INIET.AR.EXT.9XD12 NR2 VB30.190		1
	65002316	AIR NOZZ.EXT.9XD14.5 NR3 VB30.230/35.320 EXT.AIR NOZZ.9XD14.5 NR3 VB30.230/35.320		DIFF.AIR EXT.9XD14.5 NR3 VB30.230/35.320 DIF.AIRE EXT.9XD14.5 NR3 VB30.230/35.320		INIET.AR.EXT.9XD14.5 NR3 VB30.230/35.320		1
	65002317	AIR NOZZ.EXT.9XD16 NR4 VB35.370 EXT.AIR NOZZ.9XD16 NR4 VB35.370		DIFF.AIR EXT.9XD16 NR4 VB35.370 DIF.AIRE EXT.9XD16 NR4 VB35.370		INIET.AR.EXT.9XD16 NR4 VB35.370		1
	65002318	AIR NOZZ.EXT.9XD9.5 NR1 VB30.120 EXT.AIR NOZZ.9XD9.5 NR1 VB30.120		DIFF.AIR EXT.9XD9.5 NR1 VB30.120 DIF.AIRE EXT.9XD9.5 NR1 VB30.120		INIET.AR.EXT.9XD9.5 NR1 VB30.120		1
0033	60002433	INSERT D14 VB30.120 INZET D14 VB30.120		INSERT D14 VB30.120 INSERTO D14 VB30.120		INSERTO D14 VB30.120		1
	60002434	INSERT D15 VB30.190 INZET D15 VB30.190		INSERT D15 VB30.190 INSERTO D15 VB30.190		INSERTO D15 VB30.190		1
	60002435	INSERT D16 VB30.230 VB35 VB40 VB45 INZET D16 VB30.230 VB35 VB40 VB45		INSERT D16 VB30.230 VB35 VB40 VB45 INSERTO D16 VB30.230 VB35 VB40 VB45		INSERTO D16 VB30.230 VB35 VB40 VB45		1
0034	60002495	IGNITION CABLE L390MM ONTSTEKINGSKABEL L390MM		CABLE ALLUMAGE L390MM CABLE ENCENDIDO L390MM		CAVO ACCENSIONE L390MM		1
	60002496	IGNITION CABLE L550MM ONTSTEKINGSKABEL L550MM		CABLE ALLUMAGE L550MM CABLE ENCENDIDO L550MM		CAVO ACCENSIONE L550MM		1
0035	60002492	IGNITION ELECTRODES D4X120 D2X14.6MM ONTSTEKINGSELEKTR. D4X120 D2X14.6MM		ELECTRODES ALLUMAGE D4X120 D2X14.6MM ELECTRODOS ENCENDIDO D4X120 D2X14.6MM		ELETTRODI ACCENS. D4X120 D2X14.6MM		1
	60002493	IGNIT. ELECTRODES D4X120 D2.5X7.3MM ONTSTEKINGSELEKTR. D4X120 D2.5X7.3MM		ELECTRODES ALLUM. D4X120 D2.5X7.3MM ELECTRODOS ENCEND. D4X120 D2.5X7.3MM		ELETTRODI ACCENS. D4X120 D2.5X7.3MM		1
0036	65002287	PLATE ALU VB30 BASISPLAAT ALU VB30		PLATINE ALU VB30 PLATINA ALU VB30		PIASTRA ALU VB30		1
	65002289	PLATE ALU VB35 BASISPLAAT ALU VB35		PLATINE ALU VB35 PLATINA ALU VB35		PIASTRA ALU VB35		1
0038	65002251	COVER/INSULATION VB35 DEKSEL/GELUIDSISOLATIE VB35		COUVERCLE/INSONORISATION VB35 TAPA/INSONORIZACION VB35		COPERCHIO/INSONORIZAZIONE VB35		1
0039	65002299	OIL CTRL UNIT SUPPORT CPL. VB30 STEUN OLIEBDRAUTOM. CPL. VB30		SUPPORT COFFRET FIOUL CPL. VB30 SOPORTE PROGRAM. CPL. VB30		SUPPORTO APPARECC. GASOLIO CPL. VB30		1
	65002300	OIL CTRL UNIT SUPPORT CPL. VB35 STEUN OLIEBDRAUTOM. CPL. VB35		SUPPORT COFFRET FIOUL CPL. VB35 SOPORTE PROGRAM. CPL. VB35		SUPPORTO APPARECC. GASOLIO CPL. VB35		1
0040	60002452	CONTACTOR LC1 K0910 P7 TQ CONTACT LC1 K0910 P7 TQ		CONTACTEUR LC1 K0910 P7 TQ CONTACTOR LC1 K0910 P7 TQ		CONTATTORE LC1 K0910 P7 TQ		1
	65302139	CONTACTOR LC1K0910P7TQ+WIRING(VB30) CONTACT LC1K0910P7TQ+KABELLEIDING(VB30)		CONTACT. LC1K0910P7TQ+TORON ELECT.(VB30) CONTACTOR LC1K0910P7TQ+CONJ.ELECT.(VB30)		CONTATTORE LC1K0910P7TQ+CABLAGGIO(VB30)		1
0041	65002450	AIR GUIDE VB35 LUCHTGELEIDING VB35		GUIDE AIR VB35 GUÍA DE AIRE VB35		GUIDA ARIA VB35		1
0042	65002328	AIR ADJUSTMENT HOUSING VB30 BEHUIZING LUCHTINSTELLING VB30		BOITIER REGLAGE AIR VB30 CAJA AJUSTE DE AIRE VB30		ALLOGGIAMENTO REGOLAZIONE ARIA VB30		1
	65002329	AIR ADJUSTMENT HOUSING VB35 BEHUIZING LUCHTINSTELLING VB35		BOITIER REGLAGE AIR VB35 CAJA AJUSTE DE AIRE VB35		ALLOGGIAMENTO REGOLAZIONE ARIA VB35		1
0043	60002436	NOZZLES POSITION ADJUSTMENT SCREW VB35 STELSCHROEF POS. SPROEIERS VB35		VIS DE REGLAGE POS. GICLEURS VB35 TORNILLO DE AJUSTE POSICION BOQ. VB35		VITE DI REGOLAZIONE POS. UGELLI VB35		1
0044	60002472	NOZZLES POSITION SCALE VB35 SCHAAL POSITIE SPROEIERS VB35		REGLETTE POSITION GICLEURS VB35 REGLETA POSICION BOQUILLAS VB35		REGOLAZIONE POSIZIONE UGELLI VB35		1
0045	60002470	INDICATOR LIGHT VB35/40/45 CONTROLELAMPJE VB35/40/45		VOYANT VB35/40/45 TESTIGO VB35/40/45		SPIA VB35/40/45		1
0046	65002268	HOUSING VB30 BRANDERHUIS VB30		CARTER VB30 CARTER VB30		CARTER VB30		1
	65002269	HOUSING VB35 BRANDERHUIS VB35		CARTER VB35 CARTER VB35		CARTER VB35		1
0047	60002459	PLATE/AIR RECYCLING 144X43.9X3 PLAAT/LUCHTKRINGLOOP 144X43.9X3		PLAQUE/RECYCLAGE AIR 144X43.9X3 PLACA/RECICLAJE DE AIRE 144X43.9X3		PIASTRA/CONVOGLIATORE ARIA 144X43.9X3		1
	60002460	PLATE/AIR RECYCLING 144X62.3X3 PLAAT/LUCHTKRINGLOOP 144X62.3X3		PLAQUE/RECYCLAGE AIR 144X62.3X3 PLACA/RECICLAJE DE AIRE 144X43.9X3		PIASTRA/CONVOGLIATORE ARIA 144X62.3X3		1
	60002461	PLATE/AIR RECYCLING 144X92.1X3 PLAAT/LUCHTKRINGLOOP 144X92.1X3		PLAQUE/RECYCLAGE AIR 144X92.1X3 PLACA/RECICLAJE DE AIRE 144X92.1X3		PIASTRA/CONVOGLIATORE ARIA 144X92.1X3		1
0048	65002252	AIR RECYCLING D152/70 VB30 LUCHTKRINGLOOP D152/70 VB30		RECYCLAGE AIR D152/70 VB30 RECICLAJE DE AIRE D152/70 VB30		CONVOGLIATORE ARIA D152/70 VB30		1

	6XXXXXX	EN	FR	IT	X
		NL	ES		
	65002253	AIR RECYCLING D152/74 VB35 LUCHTKRINGLOOP D152/74 VB35	RECYCLAGE AIR D152/74 VB35 RECICLAJE DE AIRE D152/74 VB35	CONVOGLIATORE ARIA D152/74 VB35	1
0049	65074172	COUPLING D18/14,7/11X22 PUMP/MOTOR KOPPELING V-L 1 / 05L /EL 01/02 WIT	ACCOUPLMENT D18/14,7/11X22 POMPE/MOTEUR ACOPLAMIENTO D18/14,7/11X22 BOMBA/MOTOR	GIUNTO D18/14,7/11X22 POMPA/MOTORE	1
0051	60002503	SET AIR FLAP VB30/35 SET LUCHTKLEP VB30/35	SOUS ENSEMBLE VOLET AIR VB30/35 SET CLAPETA AIRE VB30/35	SET SERRANDA ARIA VB30/35	1
0052	60002491	WIELAND'S 7P MALE CONNECTOR STEKKER WIELAND 7P MANNELIJKE	PRISE WIELAND 7P MALE TOMA WIELAND 7P MACHO	PRESA WIELAND 7P MASCHIO	1
0053	60002490	WIELAND'S 5P MALE CONNECTOR BLACK STEKKER WIELAND 5P MANNELIJKE ZWART	PRISE WIELAND 5P MALE NOIR TOMA WIELAND 5P MACHO NEGRO	PRESA WIELAND 5P MASCHIO NERO	1
0054	60002489	WIELAND 4P MALE CONNECTOR GREEN STEKKER WIELAND 4P MANNELIJKE GROEN	PRISE WIELAND 4P MALE VERT TOMA WIELAND 4P MACHO VERDE	PRESA WIELAND 4P MASCHIO VERDE	1
0055	60002488	WIELAND'S 3P MALE CONNECTOR BLACK STEKKER WIELAND 3P MANNELIJKE ZWART	PRISE WIELAND 3P MALE NOIR TOMA WIELAND 3P MACHO NEGRO	PRESA WIELAND 3P MASCHIO NERO	1
0059	65110723	HIGH TEMPERATURE GREASE 260°C GLIJMIDDEL HOGE TEMPERATUUR 260°C	GRAISSE HAUTE TEMPERATURE 260°C GRASA TEMPERATURA ALTA 260°C	GRASSO ALTA TEMPERATURA 260°C	1
0060	60002483	WIELAND'S 3P FEMALE CONNECTOR BLACK STEKKER WIELAND 3P VROUWELIJK ZWART	PRISE WIELAND 3P FEMELLE NOIR TOMA WIELAND 3P HEMBRA NEGRO	PRESA WIELAND 3P FEMMINA NERO	1
0061	60002484	WIELAND 4P FEMALE CONNECTOR GREEN STEKKER WIELAND 4P VROUWELIJK GROEN	PRISE WIELAND 4P FEMELLE VERTE TOMA WIELAND 4P HEMBRA VERDE	PRESA WIELAND 4P FEMMINA VERDE	1
0062	60002485	WIELAND'S 5P FEMALE CONNECTOR STEKKER WIELAND 5P VROUWELIJK	PRISE WIELAND 5P FEMELLE TOMA WIELAND 5P HEMBRA	PRESA WIELAND 5P FEMMINA	1
0063	60002486	WIELAND'S 7P FEMALE CONNECTOR STEKKER WIELAND 7P VROUWELIJK	PRISE WIELAND 7P FEMELLE TOMA WIELAND 7P HEMBRA	PRESA WIELAND 7P FEMMINA	1
0221	1460118072	UNION 1/4" - 1/4" AANSLUITING 1/4" - 1/4"	RACCORD 1/4" - 1/4" RACOR 1/4" - 1/4"	RACCORDO 1/4" - 1/4"	1
0371	65002309	AIR BOX VB30 LUCHTKAST VB30	BOITE A AIR VB30 CAJA DE AIRE VB30	CASSA ASPIR. ARIA VB30	1
	65002310	AIR BOX VB35 LUCHTKAST VB35	BOITE A AIR VB35 CAJA DE AIRE VB35	CASSA ASPIR. ARIA VB35	1
0372	65002359	PROTECTIVE GRID VB30 BESCHERMINGSZEEF VB30	GRILLE DE PROTECTION VB30 REJILLA DE PROTECCION VB30	GRIGLIA PROTEZIONE VB30	1
0400	65002261	MOUNTING IGNITION ELECTRODES BEVESTIGING ONTSTEKINGSELEKTRODEN	FIXATION ELECTRODES D'ALLUMAGE FIJACION ELECTRODOS DE ENCENDIDO	FISSAGGIO ELETTRUDI DI ACCENSIONE	1
5001	0E121682	NOZZLE DEL 4,50GPH 80° B SPROEIER DEL 4,50GPH 80° B	GICLEUR DEL 4,50GPH 80° B BOQUILLA DEL 4,50GPH 80° B	UGELLO DEL 4,50GPH 80° B	1
	121363	NOZZLE DEL 1,10GPH 80° A SPROEIER DEL 1,10GPH 80° A	GICLEUR DEL 1,10GPH 80° A BOQUILLA DEL 1,10GPH 80° A	UGELLO DEL 1,10GPH 80° A	1
	121364	NOZZLE DEL 1,25GPH 80° A SPROEIER DEL 1,25GPH 80° A	GICLEUR DEL 1,25GPH 80° A BOQUILLA DEL 1,25GPH 80° A	UGELLO DEL 1,25GPH 80° A	1
	121366	NOZZLE DEL 1,50GPH 80° A SPROEIER DEL 1,50GPH 80° A	GICLEUR DEL 1,50GPH 80° A BOQUILLA DEL 1,50GPH 80° A	UGELLO DEL 1,50GPH 80° A	1
	121367	NOZZLE DEL 1,75GPH 80° A SPROEIER DEL 1,75GPH 80° A	GICLEUR DEL 1,75GPH 80° A BOQUILLA DEL 1,75GPH 80° A	UGELLO DEL 1,75GPH 80° A	1
	121368	NOZZLE DEL 2,00GPH 80° A SPROEIER DEL 2,00GPH 80° A	GICLEUR DEL 2,00GPH 80° A BOQUILLA DEL 2,00GPH 80° A	UGELLO DEL 2,00GPH 80° A	1
	121369	NOZZLE DEL 2,25GPH 80° A SPROEIER DEL 2,25GPH 80° A	GICLEUR DEL 2,25GPH 80° A BOQUILLA DEL 2,25GPH 80° A	UGELLO DEL 2,25GPH 80° A	1
	121370	NOZZLE DEL 2,50GPH 80° A SPROEIER DEL 2,50GPH 80° A	GICLEUR DEL 2,50GPH 80° A BOQUILLA DEL 2,50GPH 80° A	UGELLO DEL 2,50GPH 80° A	1
	121371	NOZZLE DEL 2,75GPH 80° A SPROEIER DEL 2,75GPH 80° A	GICLEUR DEL 2,75GPH 80° A BOQUILLA DEL 2,75GPH 80° A	UGELLO DEL 2,75GPH 80° A	1
	121372	NOZZLE DEL 3,00GPH 80° A SPROEIER DEL 3,00GPH 80° A	GICLEUR DEL 3,00GPH 80° A BOQUILLA DEL 3,00GPH 80° A	UGELLO DEL 3,00GPH 80° A	1
	121555	NOZZLE DEL 3,25GPH 80° A SPROEIER DEL 3,25GPH 80° A	GICLEUR DEL 3,25GPH 80° A BOQUILLA DEL 3,25GPH 80° A	UGELLO DEL 3,25GPH 80° A	1
	121556	NOZZLE DEL 3,50GPH 80° A SPROEIER DEL 3,50GPH 80° A	GICLEUR DEL 3,50GPH 80° A BOQUILLA DEL 3,50GPH 80° A	UGELLO DEL 3,50GPH 80° A	1
	121557	NOZZLE DEL 4,00GPH 80° A SPROEIER DEL 4,00GPH 80° A	GICLEUR DEL 4,00GPH 80° A BOQUILLA DEL 4,00GPH 80° A	UGELLO DEL 4,00GPH 80° A	1
	121558	NOZZLE DEL 4,50GPH 80° A SPROEIER DEL 4,50GPH 80° A	GICLEUR DEL 4,50GPH 80° A BOQUILLA DEL 4,50GPH 80° A	UGELLO DEL 4,50GPH 80° A	1
	121559	NOZZLE DEL 5,00GPH 80° A SPROEIER DEL 5,00GPH 80° A	GICLEUR DEL 5,00GPH 80° A BOQUILLA DEL 5,00GPH 80° A	UGELLO DEL 5,00GPH 80° A	1
	121560	NOZZLE DEL 5,50GPH 80° A SPROEIER DEL 5,50GPH 80° A	GICLEUR DEL 5,50GPH 80° A BOQUILLA DEL 5,50GPH 80° A	UGELLO DEL 5,50GPH 80° A	1
	121678	NOZZLE DEL 3,00GPH 80° B SPROEIER DEL 3,00GPH 80° B	GICLEUR DEL 3,00GPH 80° B BOQUILLA DEL 3,00GPH 80° B	UGELLO DEL 3,00GPH 80° B	1
	121679	NOZZLE DEL 3,25GPH 80° B SPROEIER DEL 3,25GPH 80° B	GICLEUR DEL 3,25GPH 80° B BOQUILLA DEL 3,25GPH 80° B	UGELLO DEL 3,25GPH 80° B	1
	121680	NOZZLE DEL 3,50GPH 80° B SPROEIER DEL 3,50GPH 80° B	GICLEUR DEL 3,50GPH 80° B BOQUILLA DEL 3,50GPH 80° B	UGELLO DEL 3,50GPH 80° B	1

			EN	FR	IT	
			NL	ES		
	121681	NOZZLE DEL 4,00GPH 80° B SPROEIER DEL 4,00GPH 80° B		GICLEUR DEL 4,00GPH 80° B BOQUILLA DEL 4,00GPH 80° B	UGELLO DEL 4,00GPH 80° B	1
	121683	NOZZLE DEL 5,00GPH 80° B SPROEIER DEL 5,00GPH 80° B		GICLEUR DEL 5,00GPH 80° B BOQUILLA DEL 5,00GPH 80° B	UGELLO DEL 5,00GPH 80° B	1
	122237	NOZZLE DEL 1,65GPH 80° A SPROEIER DEL 1,65GPH 80° A		GICLEUR DEL 1,65GPH 80° A BOQUILLA DEL 1,65GPH 80° A	UGELLO DEL 1,65GPH 80° A	1
	122911	NOZZLE DEL 2,00GPH 80° B SPROEIER DEL 2,00GPH 80° B		GICLEUR DEL 2,00GPH 80° B BOQUILLA DEL 2,00GPH 80° B	UGELLO DEL 2,00GPH 80° B	1
	122912	NOZZLE DEL 2,25GPH 80° B SPROEIER DEL 2,25GPH 80° B		GICLEUR DEL 2,25GPH 80° B BOQUILLA DEL 2,25GPH 80° B	UGELLO DEL 2,25GPH 80° B	1
	122913	NOZZLE DEL 2,50GPH 80° B SPROEIER DEL 2,50GPH 80° B		GICLEUR DEL 2,50GPH 80° B BOQUILLA DEL 2,50GPH 80° B	UGELLO DEL 2,50GPH 80° B	1
	122914	NOZZLE DEL 2,75GPH 80° B SPROEIER DEL 2,75GPH 80° B		GICLEUR DEL 2,75GPH 80° B BOQUILLA DEL 2,75GPH 80° B	UGELLO DEL 2,75GPH 80° B	1
	127972	NOZZLE DAN 1,75GPH 80° S SPROEIER DAN 1,75GPH 80° S		GICLEUR DAN 1,75GPH 80° S BOQUILLA DAN 1,75GPH 80° S	UGELLO DAN 1,75GPH 80° S	1
	13016100	NOZZLE DAN 1,10GPH 80° S SPROEIER DAN 1,10GPH 80° S		GICLEUR DAN 1,10GPH 80° S BOQUILLA DAN 1,10GPH 80° S	UGELLO DAN 1,10GPH 80° S	1
	13016101	NOZZLE DAN 1,25GPH 80° S SPROEIER DAN 1,25GPH 80° S		GICLEUR DAN 1,25GPH 80° S BOQUILLA DAN 1,25GPH 80° S	UGELLO DAN 1,25GPH 80° S	1
	13016103	NOZZLE DAN 1,50GPH 80° S SPROEIER DAN 1,50GPH 80° S		GICLEUR DAN 1,50GPH 80° S BOQUILLA DAN 1,50GPH 80° S	UGELLO DAN 1,50GPH 80° S	1
	140012	NOZZLE DEL 5,50GPH 80° B SPROEIER DEL 5,50GPH 80° B		GICLEUR DEL 5,50GPH 80° B BOQUILLA DEL 5,50GPH 80° B	UGELLO DEL 5,50GPH 80° B	1
	1458649576	NOZZLE DEL 1,25GPH 80° B SPROEIER DEL 1,25GPH 80° B		GICLEUR DEL 1,25GPH 80° B BOQUILLA DEL 1,25GPH 80° B	UGELLO DEL 1,25GPH 80° B	1
	65003256	NOZZLE DEL 1,10GPH 80° B SPROEIER DEL 1,10GPH 80° B		GICLEUR DEL 1,10GPH 80° B BOQUILLA DEL 1,10GPH 80° B	UGELLO DEL 1,10GPH 80° B	1
	65003257	NOZZLE DEL 1,50GPH 80° B SPROEIER DEL 1,50GPH 80° B		GICLEUR DEL 1,50GPH 80° B BOQUILLA DEL 1,50GPH 80° B	UGELLO DEL 1,50GPH 80° B	1
	65003259	NOZZLE DEL 1,65GPH 80° B SPROEIER DEL 1,65GPH 80° B		GICLEUR DEL 1,65GPH 80° B BOQUILLA DEL 1,65GPH 80° B	UGELLO DEL 1,65GPH 80° B	1
	65003260	NOZZLE DEL 1,75GPH 80° B SPROEIER DEL 1,75GPH 80° B		GICLEUR DEL 1,75GPH 80° B BOQUILLA DEL 1,75GPH 80° B	UGELLO DEL 1,75GPH 80° B	1
	65003274	NOZZLE DAN 2,25GPH 80° S SPROEIER DAN 2,25GPH 80° S		GICLEUR DAN 2,25GPH 80° S BOQUILLA DAN 2,25GPH 80° S	UGELLO DAN 2,25GPH 80° S	1
	65003275	NOZZLE DAN 3,50GPH 80° S SPROEIER DAN 3,50GPH 80° S		GICLEUR DAN 3,50GPH 80° S BOQUILLA DAN 3,50GPH 80° S	UGELLO DAN 3,50GPH 80° S	1
	65003276	NOZZLE DAN 4,00GPH 80° S SPROEIER DAN 4,00GPH 80° S		GICLEUR DAN 4,00GPH 80° S BOQUILLA DAN 4,00GPH 80° S	UGELLO DAN 4,00GPH 80° S	1
	65003277	NOZZLE DAN 4,50GPH 80° S SPROEIER DAN 4,50GPH 80° S		GICLEUR DAN 4,50GPH 80° S BOQUILLA DAN 4,50GPH 80° S	UGELLO DAN 4,50GPH 80° S	1
	65003278	NOZZLE DAN 5,00GPH 80° S SPROEIER DAN 5,00GPH 80° S		GICLEUR DAN 5,00GPH 80° S BOQUILLA DAN 5,00GPH 80° S	UGELLO DAN 5,00GPH 80° S	1
	65003279	NOZZLE DAN 5,50GPH 80° S SPROEIER DAN 5,50GPH 80° S		GICLEUR DAN 5,50GPH 80° S BOQUILLA DAN 5,50GPH 80° S	UGELLO DAN 5,50GPH 80° S	1
	65323382	NOZZLE DAN 1,65GPH 80° S SPROEIER DAN 1,65GPH 80° S		GICLEUR DAN 1,65GPH 80° S BOQUILLA DAN 1,65GPH 80° S	UGELLO DAN 1,65GPH 80° S	10
	65323393	NOZZLE DAN 2,00GPH 80° S SPROEIER DAN 2,00GPH 80° S		GICLEUR DAN 2,00GPH 80° S BOQUILLA DAN 2,00GPH 80° S	UGELLO DAN 2,00GPH 80° S	10
	65323400	NOZZLE DAN 2,50GPH 80° S SPROEIER DAN 2,50GPH 80° S		GICLEUR DAN 2,50GPH 80° S BOQUILLA DAN 2,50GPH 80° S	UGELLO DAN 2,50GPH 80° S	10
	65323403	NOZZLE DAN 2,75GPH 80° S SPROEIER DAN 2,75GPH 80° S		GICLEUR DAN 2,75GPH 80° S BOQUILLA DAN 2,75GPH 80° S	UGELLO DAN 2,75GPH 80° S	10
	65323407	NOZZLE DAN 3,00GPH 80° S SPROEIER DAN 3,00GPH 80° S		GICLEUR DAN 3,00GPH 80° S BOQUILLA DAN 3,00GPH 80° S	UGELLO DAN 3,00GPH 80° S	10









## ADRESSEN

<https://www.elco-burners.com>

[www.elco.net](http://www.elco.net)



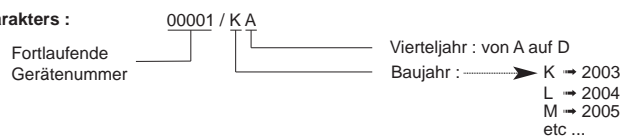
## VERWENDETE ABKÜRZUNGEN

-  : Maintenance parts / Pièces d'entretien / Materiali di consumo /  
: Piezas de mantenimiento / Hilfsmaterial / Onderhoudsonderdelen
-  : Wearing parts / Pièces d'usure / Parti di usura  
: Piezas de desgaste / Verschleissteile / Slijtageonderdelen
- \* : Item not stocked, manufactured to order / Article non stocké, fabrication à la demande /  
: Articolo non a magazzino, produzione all'ordine / Artículo no almacenado, fabricación previa solicitud /  
: Keine Lagerware, wird bei Bedarf bestellt, Artikel niet op voorraad, fabricage op bestelling

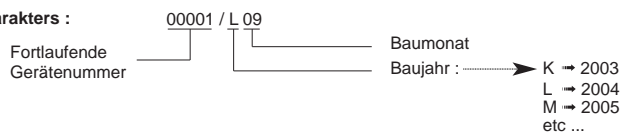
## TYPENSCHILD

### SERIENNUMMER

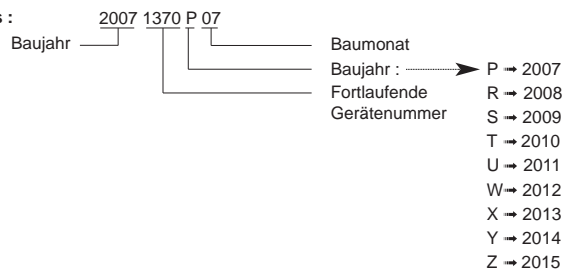
7 Charakters :



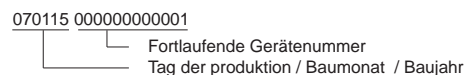
8 Charakters :



11 Charakters :



18 Charakters :



Die Angaben zu Preislisten bzw. kaufmännischen oder technischen Unterlagen, zu Abbildungen oder Maßangaben sind unverbindlich und nur für einen bestimmten Zeitraum gültig. Der Hersteller behält sich das Recht vor, Änderungen jeder Art in Bezug auf die Darstellung, die Form, die Maße, die Konzeption oder das Material ihrer Produkte vorzunehmen.