

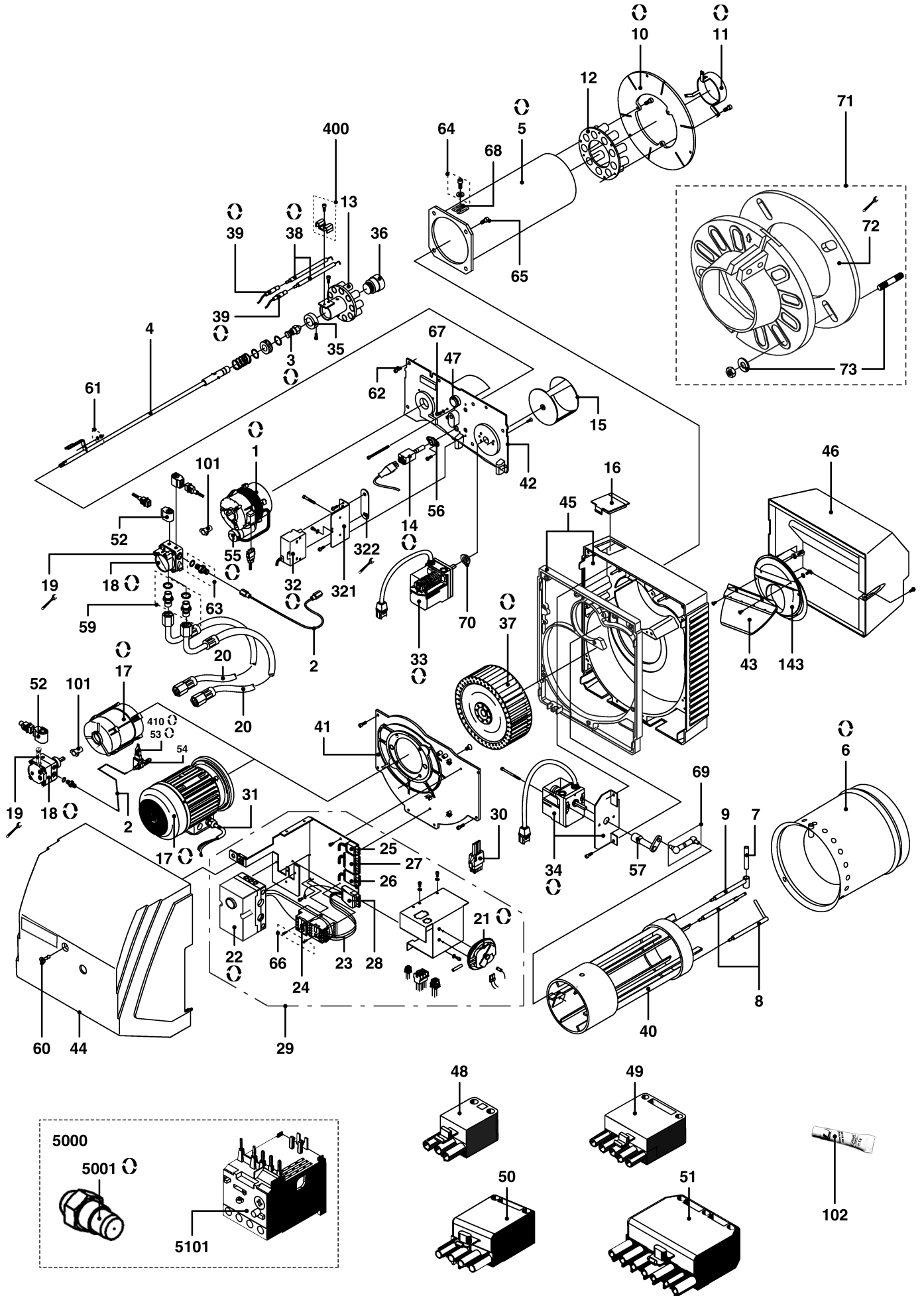
SPARE PARTS EXPLODED VIEW OIL BURNER

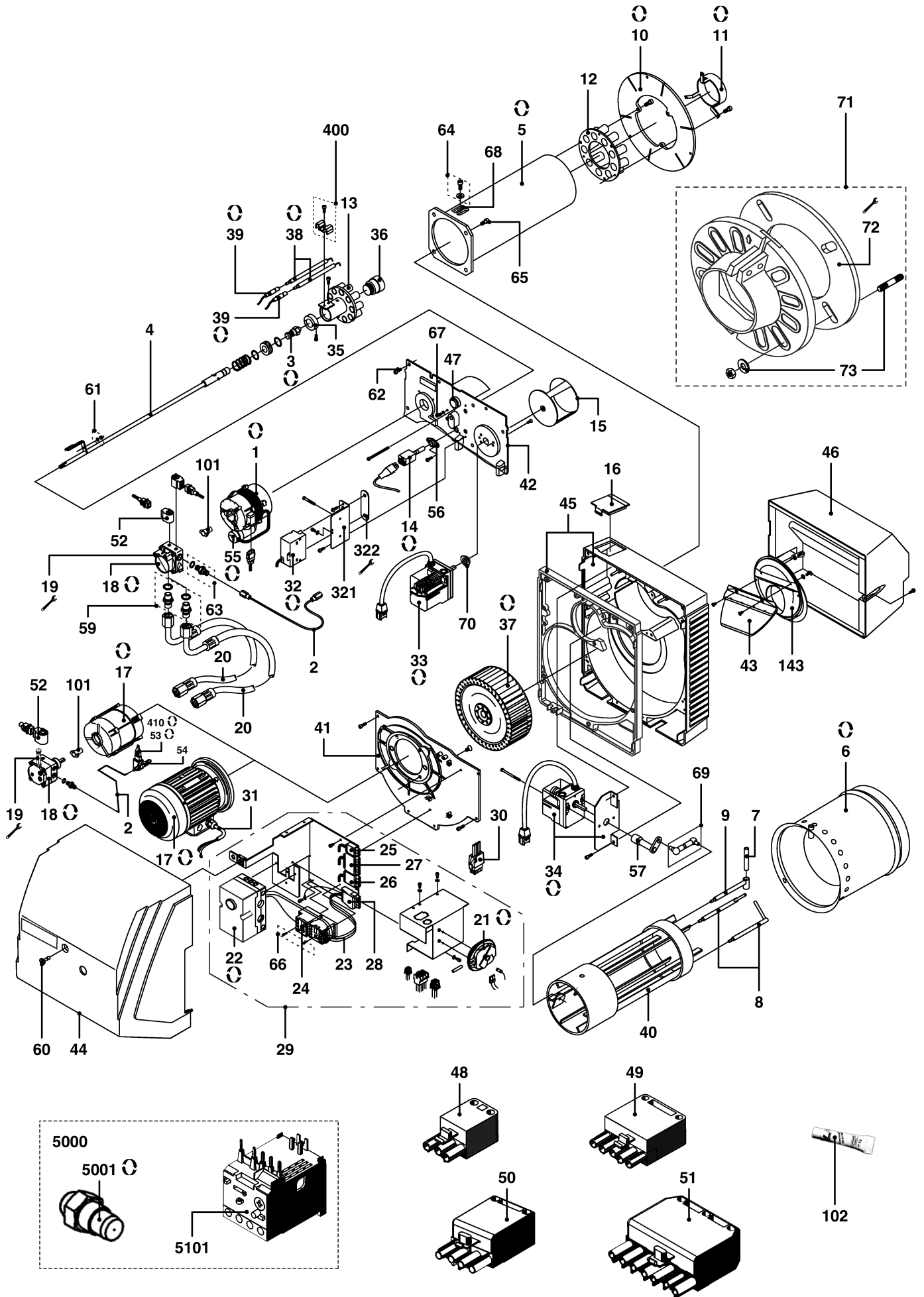
Model

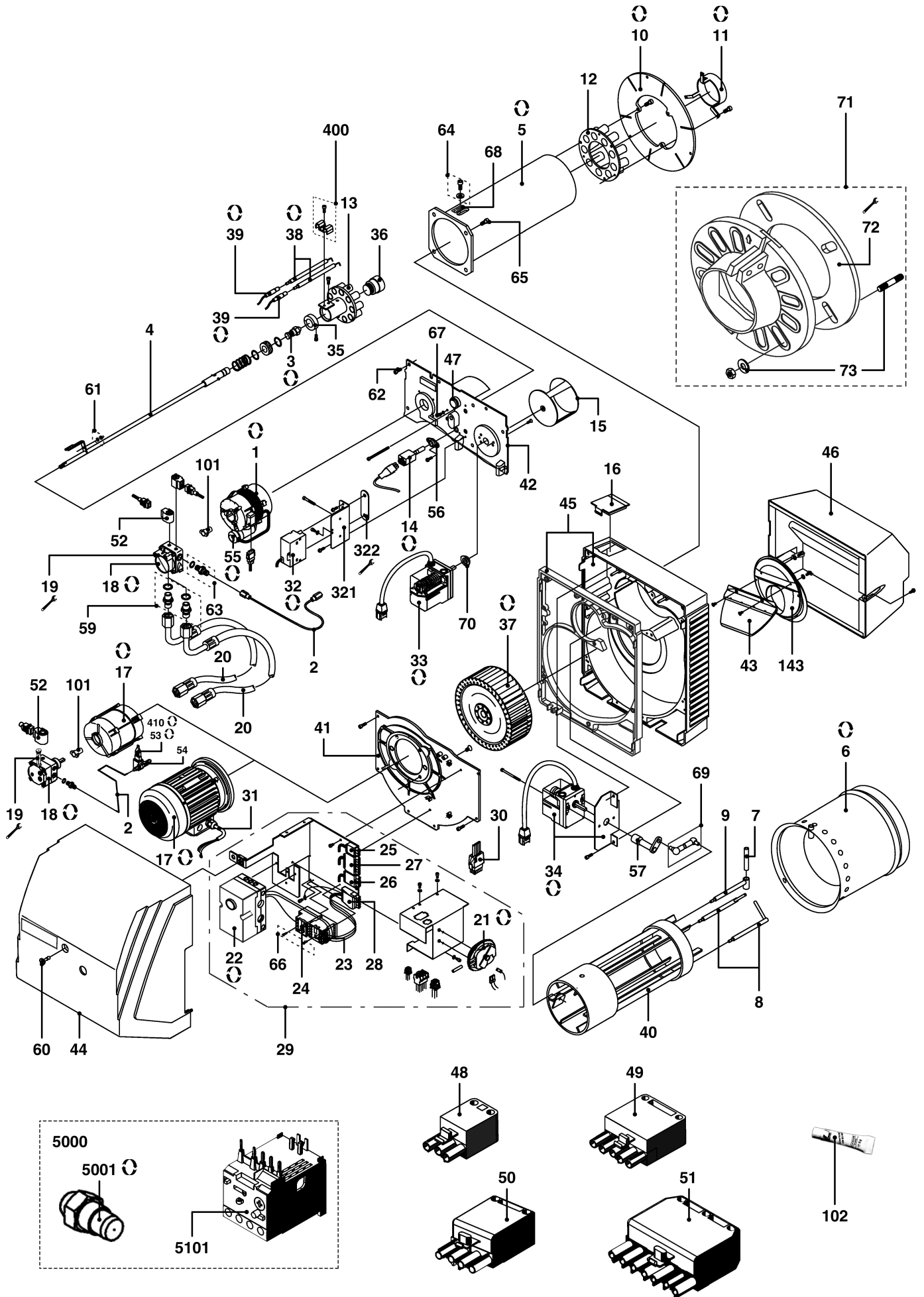
VECTRON B 40-45 DUO

R8220140-06 - 13/07/2021

1	3722926	CB-VB40.420 D	04-2015	-
2	3722927	CB-VB40.460 D	04-2015	-
3	3722928	CB-VB40.590 D	04-2015	-
4	3722929	CB-VB45.810 D	04-2015	-
Col	Reference	Model type	Begin	End










		DE NL	FR ES	IT	X
0001	65002332	MOTOR 0,15KW 230V D12,7 MOTOR 0,15KW 230V D12,7	MOTEUR 0,15KW 230V D12,7 MOTOR 0,15KW 230V D12,7	MOTORE 0,15KW 230V D12,7	1
0002	60002431	DUESENZULEITUNG L170/98 D6 TOEVOERL. SPROEIER L170/98 D6	TUBE P./LIGNE GICLEUR L170/98 D6 TUBO BOMBA/LINEA BOQ. L170/98 D6	TUBETTO P./LINEA UG. L170/98 D6	1
	60002432	DUESENZULEITUNG TOEVOERL. SPROEIER	TUBE P./LIGNE GICLEUR TUBO BOMBA/LINEA BOQ.	TUBETTO P./LINEA UG.	1
0003	121560	DUESE DEL 5,50GPH 80° A SPROEIER DEL 5,50GPH 80° A	GICLEUR DEL 5,50GPH 80° A BOQUILLA DEL 5,50GPH 80° A	UGELLO DEL 5,50GPH 80° A	1
	121563	DUESE DEL 7,00GPH 80° A SPROEIER DEL 7,00GPH 80° A	GICLEUR DEL 7,00GPH 80° A BOQUILLA DEL 7,00GPH 80° A	UGELLO DEL 7,00GPH 80° A	1
	65002448	DUESE DEL 9,50GPH 80° A SPROEIER DEL 9,50GPH 80° A	GICLEUR DEL 9,50GPH 80° A BOQUILLA DEL 9,50GPH 80° A	UGELLO DEL 9,50GPH 80° A	1
0004	65002284	DUESENGESTAENGE L671 D10/D18 SPROEIERLIJN L671 D10/D18	LIGNE GICLEUR L671 D10/D18 PORTA-BOQUILLA L671 D10/D18	LINEA P. UGELLO L671 D10/D18	1
	65002285	DUESENGESTAENGE L711 D10/D18 SPROEIERLIJN L711 D10/D18	LIGNE GICLEUR L711 D10/D18 PORTA-BOQUILLA L711 D10/D18	LINEA P. UGELLO L711 D10/D18	1
0005	65002271	BRENNERROHR LACKIERT D168 L510 VLAMBUIJS GESCHILDERD D168 L510	TUBE DE FLAMME PEINT D168 L510 TUBO DE LLAMA PINTADA D168 L510	BOCCAGLIO DIPINTO D168 L510	1
	65002272	BRENNERROHR LACKIERT D168 L510 VLAMBUIJS GESCHILDERD D168 L510	TUBE DE FLAMME PEINT D168 L510 TUBO DE LLAMA PINTADA D168 L510	BOCCAGLIO DIPINTO D168 L510	1
	65002273	BRENNERROHR LACKIERT D168 L510 VLAMBUIJS GESCHILDERD D168 L510	TUBE DE FLAMME PEINT D168 L510 TUBO DE LLAMA PINTADA D168 L510	BOCCAGLIO DIPINTO D168 L510	1
0006	65002371	VORSATZROHR D210X250MM VLAMMENTOP D210X250MM	EMBOUIT AVANT D210X250MM COPA DE COMB. D210X250MM	CAMPANA D210X250MM	1
	65002372	VORSATZROHR D250X280MM VLAMMENTOP D250X280MM	EMBOUIT AVANT D250X280MM COPA DE COMBUSTION D250X280MM	CAMPANA D250X280MM	1
	65002373	VORSATZROHR D302/282 L325 VLAMMENTOP D302/282 L325	EMBOUIT AVANT D302/282 L325 COPA DE COMBUSTION D302/282 L325	CAMPANA D302/282 L325	1
0007	65002262	BEFESTIGUNGHUELSE VORSATZR. D10X55MM BEVESTIGING VLAMBUIJS D10X55MM	FIXATION TUBE DE FLAMME D10X55MM FIJACION TUBO DE LLAMA D10X55MM	FISSAGGIO BOCCAGLIO D10X55MM	1
	65002263	BEFESTIGUNGHUELSE VORSATZR. D10X75MM BEVESTIGING VLAMBUIJS D10X75MM	FIXATION TUBE DE FLAMME D10X75MM FIJACION TUBO DE LLAMA D10X75MM	FISSAGGIO BOCCAGLIO D10X75MM	1
	65002264	BEFESTIGUNGHUELSE VORSATZR. D10X85MM BEVESTIGING VLAMBUIJS D10X85MM	FIXATION TUBE DE FLAMME D10X85MM FIJACION TUBO DE LLAMA D10X85MM	FISSAGGIO BOCCAGLIO D10X85MM	1
0008	65002293	HALTER BRENNERROHR UNTEN D9X142 D6X40 STEUN VLAMBUIJS ONDER D9X142 D6X40	SUPP. TUBE DE FLAMME INF. D9X142 D6X40 SOPORTE TUBO DE LLAMA INF. D9X142 D6X40	SUPPORTO BOCCAGLIO INF. D9X142 D6X40	1
	65002294	HALTER BRENNERROHR UNTEN D9X142 D6X78 STEUN VLAMBUIJS ONDER D9X142 D6X78	SUPP. TUBE DE FLAMME INF. D9X142 D6X78 SOPORTE TUBO DE LLAMA INF. D9X142 D6X78	SUPPORTO BOCCAGLIO INF. D9X142 D6X78	1
0009	60002439	HALT. BRENNERROHR OBEN D9X142 D6X78 STEUN VLAMBUIJS BOVENSTE D9X142 D6X78	SUPP. TUBE DE FLAM. SUP. D9X142 D6X78 SOPORTE TUBO LLAMA SUP. D9X142 D6X78	SUPPORTO BOCCAGLIO SUP. D9X142 D6X78	1
	65002292	HALTER BRENNERROHR OBEN D9X163 D14X60 STEUN VLAMBUIJS BOVENSTE D9X163 D14X60	SUPP. TUBE DE FLAMME SUP. D9X163 D14X60 SOPORTE TUBO DE LLAMA SUP. D9X163 D14X60	SUPPORTO BOCCAGLIO SUP. D9X163 D14X60	1
0010	65002343	PLATTE D300MM VORSATZROHR D300/166X2.5 VLAMBUIJSPLAAT D300/166X2.5	PLAQUE TUBE DE FLAMME D300/166X2.5 PLACA TUBO DE LLAMA D300/166X2.5	PIASTRA BOCCAGLIO D300/166X2.5	1
	65002344	PLATTE D300MM VORSATZROHR D330/166x2.5 VLAMBUIJSPLAAT D330/166x2.5	PLAQUE TUBE DE FLAMME D330/166x2.5 PLACA TUBO DE LLAMA D330/166x2.5	PIASTRA BOCCAGLIO D330/166x2.5	1
0011	65002279	DRUCKHUELSE INTERN D75/72X17 BINNENSTE RING D75/72X17	BAGUE INTERIEURE D75/72X17 ANILLO INTERNO D75/72X17	ANELLO INTERNO D75/72X17	1
	65002280	DRUCKHUELSE INTERN D94/91X24 BINNENSTE RING D94/91X24	BAGUE INTERIEURE D94/91X24 ANILLO INTERNO D94/91X24	ANELLO INTERNO D94/91X24	1
	65002281	DRUCKHUELSE INTERN D108/105X30 BINNENSTE RING D108/105X30	BAGUE INTERIEURE D108/105X30 ANILLO INTERNO D108/105X30	ANELLO INTERNO D108/105X30	1
0012	65002312	LUFTDUESE AUSSEN 9XD16 NR1 D168/68 EXT. AIR NOZZLE 9XD16 NR1 D168/68	DIFFUSEUR AIR EXT. 9XD16 NR1 D168/68 DIFUSOR AIRE EXT. 9XD16 NR1 D168/68	INIETTORE ARIA EXT. 9XD16 NR1 D168/68	1
	65002313	LUFTDUESE AUSSEN 9XD20 NR2 D168/87 EXT. AIR NOZZLE 9XD20 NR2 D168/87	DIFFUSEUR AIR EXT. 9XD20 NR2 D168/87 DIFUSOR AIRE EXT. 9XD20 NR2 D168/87	INIETTORE ARIA EXT. 9XD20 NR2 D168/87	1
	65002314	LUFTDUESE AUSSEN 9XD22 NR3 D168/97 EXT. AIR NOZZLE 9XD22 NR3 D168/97	DIFFUSEUR AIR EXT. 9XD22 NR3 D168/97 DIFUSOR AIRE EXT. 9XD22 NR3 D168/97	INIETTORE ARIA EXT. 9XD22 NR3 D168/97	1
0013	65002319	LUFTDUE. INT. 9XD11 NR1 D68/31 D35/28 INT. AIR NOZ. 9XD11 NR1 D68/31 D35/28	DIF. AIR INT. 9XD11 NR1 D68/31 D35/28 DIF. AIRE INT. 9XD11 NR1 D68/31 D35/28	INIE. AR. INT. 9XD11 NR1 D68/31 D35/28	1
	65002320	LUFTDUESE INTERN 9XD13 NR2 D86/31 D35/28 INT. AIR NOZ. 9XD13 NR2 D86/31 D35/28	DIF. AIR INT. 9XD13 NR2 D86/31 D35/28 DIF. AIRE INT. 9XD13 NR2 D86/31 D35/28	INIE. AR. INT. 9XD13 NR2 D86/31 D35/28	1
	65002321	LUFTDUESE INTERN 9XD15 NR3 D96/31 D35/28 INT. AIR NOZ. 9XD15 NR3 D96/31 D35/28	DIF. AIR INT. 9XD15 NR3 D96/31 D35/28 DIF. AIRE INT. 9XD15 NR3 D96/31 D35/28	INIE. AR. INT. 9XD15 NR3 D96/31 D35/28	1
0014	60002441	FOTOZELLE IRD 1010.1 BLAU AXIAL FOTOCEL IRD 1010.1 BLAUW AXIAAL	CELLULE IRD 1010.1 BLEU AXIAL CELULA IRD 1010.1 AZUL AXIAL	CELLULA IRD 1010.1 BLU ASSIALE	1
	65115366	FOTOZELLE KLC 2002 FOTOCEL KLC 2002	CELLULE KLC 2002 CELULA KLC 2002	FOTOCCELLULA KLC 2002	1
0015	65002325	LUFTKLAPPE D136/132X93 LUCHTKLEP (KURZ) D136/132X93	VOLET AIR (COURT) D136/132X93 VALVULA AIRE (CORTO) D136/132X93	SERRANDA ARIA (BREVE) D136/132X93	1
	65002326	LUFTKLAPPE KURZ D136/132X133 LUCHTKLEP (LG) D136/132X133	VOLET AIR (LG) D136/132X133 VALVULA AIRE (LARGO) D136/132X133	SERRANDA ARIA (LUNGO) D136/132X133	1

		DE	FR	IT	X
		NL	ES		
0016	60002427	DECKEL KUNSTSTOFF 54X70 PLASTIC DEKSEL 54X70	COUVERCLE PLASTIQUE 54X70 TAPA DE PLASTICO 54X70	COPERCHIO DI PLASTICA 54X70	1
0017	65002336	MOTOR 0,75KW 230V D12,7 MOTOR 0,75KW 230V D12,7	MOTEUR 0,75KW 230V D12,7 MOTOR 0,75KW 230V D12,7	MOTORE 0,75KW 230V D12,7	1
	65002337	MOTOR 1,1KW - 380V D19 MOTOR 1,1KW - 380V D19	MOTEUR 1,1KW - 380V D19 MOTOR 1,1KW - 380V D19	MOTORE 1,1KW - 380V D19	1
	65002338	MOTOR 2,2KW - 380V D19 MOTOR 2,2KW - 380V D19	MOTEUR 2,2KW - 380V D19 MOTOR 2,2KW - 380V D19	MOTORE 2,2KW - 380V D19	1
	65302352	MOTOR 1,1KW - 230/400V ELVEM MOTOR 1,1KW - 230/400V ELVEM	MOTEUR 1,1KW - 230/400V ELVEM MOTOR 1,1KW - 230/400V ELVEM	MOTORE 1,1KW - 230/400V ELVEM	1
	65302353	MOTOR 2,2KW - 230/400V SIMEL MOTOR 2,2KW - 230/400V SIMEL	MOTEUR 2,2KW - 230/400V SIMEL MOTOR 2,2KW - 230/400V SIMEL	MOTORE 2,2KW - 230/400V SIMEL	1
0018	65002345	PUMPE SUNTEC AP2.65B 9523 POMP SUNTEC AP2.65	POMPE AP2.65B 9523 BOMBA SUNTEC AP2.65	POMPA SUNTEC AP2.65B 9523	1
	65002347	PUMPE SUNTEC AT2.65 POMP SUNTEC AT2.65	POMPE AT2.65 BOMBA SUNTEC AT2.65	POMPA SUNTEC AT2.65	1
	65002348	PUMPE SUNTEC AT2.75 POMP SUNTEC AT2.75	POMPE AT2.75 BOMBA SUNTEC AT2.75	POMPA SUNTEC AT2.75	1
	65002349	PUMPE SUNTEC AT2.95 POMP SUNTEC AT2.95	POMPE AT2.95 BOMBA SUNTEC AT2.95	POMPA SUNTEC AT2.95	1
0019	60002437	FILTEREINSATZ Z. PUMPE SUN 991530 ZEEFFILTER/POMP SUN 991530	FILTRE TAMIS/POMPE SUN 991530 FILTRO DE TAMIZ/BOMBA SUN 991530	SET FILTRI/POMPA SUN 991530	1
	60002438	FILTEREINSATZ Z. PUMPE SUN 3715750 ZEEFFILTER/POMP SUN 3715750	FILTRE TAMIS/POMPE SUN 3715750 FILTRO DE TAMIZ/BOMBA SUN 3715750	SET FILTRI/POMPA SUN 3715750	1
0020	60002458	OELSCHLAUCH 2.5M OLIESLANG L 2.5M	FLEXIBLE FIOUL L 2.5M LATIGUILLO GASOLEO L 2.5M	TUBO FLESSIBILE GASOLIO L 2.5M	1
0021	60002446	LUFTDRUCKWAECHTER DL2E-1 LUCHTDRUKSCHAKELAAR DL2E-1	MANOSTAT AIR DL2E-1 PRESOSTATO AIRE DL2E-1	PRESSOSTATO ARIA DL2E-1	1
0022	60002454	OELF-AUTOMAT DKO992 MOD.21 O.SOCKEL BDRAUTOM. DKO992 MOD21 ZDER VOET (20s)	COFFRET DKO992 MOD21 SS SOCLE (20s) PROGRAM. DKO992 MOD21 SIN SOPORTE (20s)	APPARECC. DKO992 MOD21 SENZA SOC. (20s)	1
	60002455	OELF-AUTOMAT DKO992-N MOD.26 O.SOCKEL BDRAUTOM. DKO992 MOD.26 ZDER SVOET (60s)	COFFRET DKO992 MOD.26 SS SOCLE (60s) PROGRAM. DKO992 MOD.26 SIN SOPORTE (60s)	APPARECC. DKO992 MOD.26 SENZA SOC. (60s)	1
0023	60002452	SCHUTZ LC1 K0910 P7 TQ CONTACT LC1 K0910 P7 TQ	CONTACTEUR LC1 K0910 P7 TQ CONTACTOR LC1 K0910 P7 TQ	CONTATTORE LC1 K0910 P7 TQ	1
0024	60002467	MOTORSCHUETZRELAIS LR2 K0310 THERM. RELAIS LR2 K0310	RELAIS THERM. LR2 K0310 RELE TERM. LR2 K0310	RELE TERM. LR2 K0310	1
	60002468	MOTORSCHUETZRELAIS LR2 K0312 THERM. RELAIS LR2 K0312	RELAIS THERM. LR2 K0312 RELE TERM. LR2 K0312	RELE TERM. LR2 K0312	1
0025	60002483	WIELANDST.BUCHSENTEIL 3-POL.SCHWARZ STEKKER WIELAND 3P VROUWELIJK ZWART	PRISE WIELAND 3P FEMELLE NOIR TOMA WIELAND 3P HEMBRA NEGRO	PRESA WIELAND 3P FEMMINA NERO	1
0026	60002484	WIELANDST.BUCHSENTEIL 4-POL.GRUEN STEKKER WIELAND 4P VROUWELIJK GROEN	PRISE WIELAND 4P FEMELLE VERTE TOMA WIELAND 4P HEMBRA VERDE	PRESA WIELAND 4P FEMMINA VERDE	1
0027	60002486	WIELANDST.STECKERTEIL 7-POL.SCHWARZBRAUN STEKKER WIELAND 7P VROUWELIJK	PRISE WIELAND 7P FEMELLE TOMA WIELAND 7P HEMBRA	PRESA WIELAND 7P FEMMINA	1
0028	60002485	WIELANDST.BUCHSENTEIL 5-POL. STEKKER WIELAND 5P VROUWELIJK	PRISE WIELAND 5P FEMELLE TOMA WIELAND 5P HEMBRA	PRESA WIELAND 5P FEMMINA	1
0029	65002301	ELEKTROKONSOLE KPL. STEUN OLIEBDRAUTOM. CPL.	SUPPORT COFFRET FIOUL CPL. SOPORTE PROGRAM. CPL.	SUPPORTO APPARECC. GASOLIO CPL.	1
	65002302	ELEKTROKONSOLE KPL. STEUN OLIEBDRAUTOM. CPL.	SUPPORT COFFRET FIOUL CPL. SOPORTE PROGRAM. CPL.	SUPP. APPARECC. GASOL. CPL.	1
	65002303	ELEKTROKONSOLE KPL. STEUN OLIEBDRAUTOM. CPL.	SUPPORT COFFRET FIOUL CPL. SOPORTE PROGRAM. CPL.	SUPPORTO APPARECC. GASOLIO CPL.	1
0030	60002475	KABEL M.STECKER F.TRAFO/MV/MOTOR/UEBERW. 15-POLIGE-STEKKER	CONNECTEUR 15 POLES TOMA DE 15 POLOS	PRESA 15 POLI	1
	60002476	KABEL M.STECKER F.TRAFO/UEBERWACHUNG 15-POLIGE-STEKKER	CONNECTEUR 15 POLES TOMA DE 15 POLOS	PRESA 15 POLI	1
0031	60002444	KABEL MOTOR 4X1,5 L300 KABEL MOTOR 4X1,5 L300	CABLE MOTEUR 4X1,5 L300 CABLE MOTOR 4X1,5 L300	CAVO MOTORE 4X1,5 L300	1
0032	60002499	ZUENDTRAFO EBI 2X7.5KV ONTSTEKINGSTRAFO EBI 2X7.5KV	ALLUMEUR EBI 2X7.5KV ENCENDEDOR EBI 2X7.5KV	TRASFORMATORE ACCENSIONE EBI 2X7.5KV	1
0033	65002362	SERVOMOT.LUFTREGULIER.STA4.3 M.KAB. L360 REGELMOT.LUCHTREG. STA4.3 M. KAB. L360	SERVOMOT.REG.AIR STA4.3 AV.CABLE L360 SERVOMOT.REG.AIRE STA4.3 CON CAB. L360	ATTUAT. REG.ARIA STA4.3 CON CAVO L360	1
0034	65002364	SERVOMOT.STA30B1 REZIRK.M. HAL.+KAB.L480 REGELM.STA30B1 RECIRC.MET STEUN+KAB.L480	SERVOMOT.STA30B1 RECIRC.AV.SUP.+CAB.L480	ATTUAT.STA30B1 RICIRC. CON SUP.+CAV.L480 SERVOM.STA30B1 RECIRC. CON SOPO.+CAB.L480	1
	65002365	SERVOMOTOR STA30B1 REZIRKULATION REGELMOTOR STA30B1 RECIRCULATIE	SERVOMOT. STA30B1 RECIRCULATION SERVOMOTOR STA30B1 RECIRCULACION	ATTUATORE STA30B1 RICIRCOLO	1
0035	60002466	REGULIERKONUS D36/18X31/10 STELKEGEL D36/18X31/10	CONE DE REGULATION D36/18X31/10 CONO DE AJUSTE D36/18X31/10	CONO DI REGOLAZIONE D36/18X31/10	1
0036	60002435	EINSATZ D16/33,5/30,9X39,5 INZET D16/33,5/30,9X39,5	INSERT D16/33,5/30,9X39,5 INSERTO D16/33,5/30,9X39,5	INSERTO D16/33,5/30,9X39,5	1
0037	60002480	VENTILATORRAD D225X82MM D12.7 VENTILATORWIEL D225X82MM D12.7	TURBINE D225X82MM D12.7 TURBINA D225X82MM D12.7	VENTOLA D225X82MM D12.7	1

		DE NL	FR ES	IT	X
	60002481	VENTILATORRAD D225X82MM D19 VENTILATORWIEL D225X82MM D19	TURBINE D225X82MM D19 TURBINA D225X82MM D19	VENTOLA D225X82MM D19	1
	60002482	VENTILATORRAD D225X102MM D19 VENTILATORWIEL D225X102MM D19	TURBINE D225X102MM D19 TURBINA D225X102MM D19	VENTOLA D225X102MM D19	1
0038	60002493	ZUENDELEKTRODE D6,5X120 d4 D2.5X7,3 90° ONTSTEKINGSPEN D6,5X120 d4 D2.5X7,3 90°	ELECTRODE ALLUM.D6,5X120 d4 D2.5X7,3 90° ELECTRODO ENC.D6,5X120 d4 D2.5X7,3 90°	ELETTRODO ACC.D6,5X120 d4 D2.5X7,3 90°	1
	60002494	ZUENDELEKTRODEN D6,35X120 D2,5X8,9MM ONTSTEKINGSELEKTR. D6,35X120 D2,5X8,9MM	ELECTRODES ALLUM. D6,35X120 D2,5X8,9MM ELECTRODOS ENCEND. D6,35X120 D2,5X8,9MM	ELETTRODI ACCENS. D6,35X120 D2,5X8,9MM	1
0039	60002497	ZUENDKABEL D4/D4 L560 AP ONTSTEKINGSKABEL D4/D4 L560 AP	CABLE ALLUMAGE D4/D4 L560 AP CABLE ENCENDIDO D4/D4 L560 AP	CAVO ACCENSIONE D4/D4 L560 AP	1
	60002498	ZUENDKABEL D4/D4 L630 AP ONTSTEKINGSKABEL D4/D4 L630 AP	CABLE ALLUMAGE D4/D4 L630 AP CABLE ENCENDIDO D4/D4 L630 AP	CAVO ACCENSIONE D4/D4 L630 AP	1
0040	65002352	SCHIEBESTANGE L459 D160 VERSTELBARE STANG L459 D160	TIGE COULISSANTE L459 D160 VARILLA CORREDIZA L459 D160	ASTA SCORREVOLE L459 D160	1
	65002353	SCHIEBESTANGE L459 D160 VERSTELBARE STANG L459 D160	TIGE COULISSANTE L459 D160 VARILLA CORREDIZA L459 D160	ASTA SCORREVOLE L459 D160	1
	65002354	SCHIEBESTANGE L459 D160 VERSTELBARE STANG L459 D160	TIGE COULISSANTE L459 D160 VARILLA CORREDIZA L459 D160	ASTA SCORREVOLE L459 D160	1
0041	65002290	GERAETEPLATTE ALU BASISPLAAT ALU	PLATINE ALU PLATINA ALU	PIASTRA ALU	1
0042	65002330	LUFTLEITGEHAEUSE BEHUIZ. LUCHTINST.	BOITIER REGL. AIR CAJA AJUSTE AIRE	ALLOGG. REG. ARIA	1
	65002331	LUFTLEITGEHAEUSE BEHUIZ. LUCHTINST.	BOITIER REGL. AIR CAJA AJUSTE AIRE	ALLOGG. REG. ARIA	1
0043	60002462	PLATTE Z. ANSAUGLUFTFUEHRUNG 177X102X3 PLAAT/LUCHTKRINGLOOP 177X102X3	PLAQUE/RECYCLAGE AIR 177X102X3 PLACA/RECICLAJE DE AIRE 177X102X3	PIASTRA/CONVOGLIATORE ARIA 177X102X3	1
	60002463	PLATTE Z. ANSAUGLUFTFUEHRUNG 177X129X3 PLAAT/LUCHTKRINGLOOP 177X129X3	PLAQUE/RECYCLAGE AIR 177X129X3 PLACA/RECICLAJE DE AIRE 177X129X3	PIASTRA/CONVOGLIATORE ARIA 177X129X3	1
0044	60002426	BRENNERHAUBE LICHTGRAU VB40/45 KAP VB40/45	CAPOT BRULEUR VB40/45 CUBIERTA VB40/45	COFANO VB40/45	1
0045	65002267	BRENNERGEHAEUSE KPL. BRANDERHUIS CPL.	CARTER CPL. CARTER CPL.	CARTER CPL.	1
	65002270	BRENNERGEHAEUSE BRANDERHUIS	CARTER CARTER	CARTER	1
0046	65002308	LUFTANSAUGKASTEN KPL. LUCHTKAST CPL. + INT. LEIPLAAT	BOITE AIR CPL. + CHICANE INT. CAJA DE AIRE CPL. + INT. DEFLECTOR	CASSA ASPIR. ARIA CPL. + INT.DEFL.	1
	65002311	LUFTANSAUGKASTEN LUCHTKAST	BOITE A AIR CAJA DE AIRE	CASSA ASPIR. ARIA	1
0047	60002470	SCHAUGLAS CONTROLELAMPJE	VOYANT TESTIGO	SPIA	1
0048	60002488	WIELANDST.STECKERTEIL 3-POL.SCHWARZ STEKKER WIELAND 3P MANNELIJE ZWART	PRISE WIELAND 3P MALE NOIR TOMA WIELAND 3P MACHO NEGRO	PRESA WIELAND 3P MASCHIO NERO	1
0049	60002490	WIELANDST.STECKERTEIL 5-POL.SCHWARZ STEKKER WIELAND 5P MANNELIJE ZWART	PRISE WIELAND 5P MALE NOIR TOMA WIELAND 5P MACHO NEGRO	PRESA WIELAND 5P MASCHIO NERO	1
0050	60002489	WIELANDST.STECKERTEIL 4-POL.GRUEN STEKKER WIELAND 4P MANNELIJE GROEN	PRISE WIELAND 4P MALE VERT TOMA WIELAND 4P MACHO VERDE	PRESA WIELAND 4P MASCHIO VERDE	1
0051	60002491	WIELANDST.STECKERTEIL 7-POL.SCHWARZ STEKKER WIELAND 7P MANNELIJE	PRISE WIELAND 7P MALE TOMA WIELAND 7P MACHO	PRESA WIELAND 7P MASCHIO	1
0052	13010006	SPULE SUN PUMPE AS-AP-AL-AT-A2L SPOEL SUN POMP AS-AP-AL-AT-A2L	BOBINE SUN PUMP AS-AP-AL-AT-A2L BOBINA SUN BOMBA AS-AP-AL-AT-A2L	BOBINA SUN POMPA AS-AP-AL-AT-A2L	1
0053	60002450	MAGNETVENTIL MAGNEETKLEP	ELECTROVANNE ELECTROVALVULA	ELETTROVALVOLA	1
0054	65002259	ANSCHLUSSTUECK MAGNETVENTIL AANSLUITING MAGNEETKLEP	RACCORD ELECTROVANNE RACOR ELECTROVALVULA	RACCORDO ELETTROVALVOLA	1
0055	65002305	KONDENSATOR 12µF F. 380 WATT MOTOR CONDENSATOR 12µF VOOR MOTOR 150W/380W	CONDENSATEUR 12µF POUR MOTEUR 150W/380W CONDENSADOR 12µF PARA MOTOR 150W/380W	CONDENSATORE 12µF PER MOTORE 150W/380W	1
0056	65002291	HALTER INFRAROT DETEKTOR IRD STEUN FOTOCEL IRD	SUPPORT CELLULE IRD SOPORTE CELULA IRD	SUPPORTO CELLULE IRD	1
0057	65002304	HEBEL REZIRKULATION HEFBOOM RECIRCULATIE	LEVIER RECIRCULATION PALANCA RECIRCULACION	LEVA RICIRCOLO	1
0059	65313613	ANSCHLUSSNIPPEL OELSCHLA. 1/4ZXR3/8ZX30 AANSLUITING/OLIESLANGEN 1/4ZXR3/8ZX30	RACCORD/FLEXIBLES FIOUL 1/4ZXR3/8ZX30 RACOR/LATIGUILLAS GASOLEO 1/4ZXR3/8ZX30	RACCORDO/TUBI FLES.GASOLIO 1/4ZXR3/8ZX30	1
0060	65002355	SCHRAUBE F. BRENNERHAUBE BEVESTIGINGSSCHROEF /KAP	VIS FIXATION CAPOT TORNILLO DE FIJACION /CUBIERTA	VITE DI FISSAGGIO /COPERCHIO	1
0061	65002356	SCHRAUBE F. DUESENGESTAENGE BEVESTIGINGSSCHROEF/SPROEIERLIJN	VIS/LIGNE GICLEUR TORNILLO DE FIJACION/PORTA-BOQUILLA	VITE DI FISSAGGIO/LINEA P. UGELLO	1
0062	65002265	BEFESTIGUNGSSSET BRENNERPLATTE BEVESTIGINGSSSET BASISPLAAT BRANDER	SET FIXATION PLATINE BRULEUR KIT DE FIJACION PLATINA QUEMADOR	KIT FISSAGGIO PIASTRA BRUCIATORE	1
0063	118181	G-E-NIPPEL SO 01104 G1/8Z-G1/8Z O.MU U.K RACCORDO FILETTATO SO 1100-4-3/8=	RACCORD FILETE SO 1100-4-3/8= G-E-NIPPEL SO 01104 G1/8Z-G1/8Z O.MU U.K	RACCORDO FILETTATO SO 1100-4-3/8=	1
0064	65002260	BEFESTIGUNG SCHIEBSTANGE BEVESTIGING VERSTELBARE STANG	FIXATION TIGE COULISSANTE FIJACION VARILLA CORREDIZA	FISSAGGIO ASTA SCORREVOLE	1

		DE	FR	IT	
		NL	ES		
0065	65002358	SCHRAUBENSET F. FLAMMROHRBEF. SHROEVENSET/LAMBUIJS	KIT VIS/TUBE DE FLAMME KIT TORNILLOS/TUBO DE LLAMA	KIT VITI/BOCCAGLIO	1
0066	65002266	BEFESTIGINGSSET RELAIS BEVESTIGINGSSET THERM. RELAIS	SET FIXATION RELAIS THERM. KIT DE FIJACION RELE TERM.	KIT FISSAGGIO RELE TERM.	1
0067	60002451	MESSNIPPEL M. SCHLAUCH 400MM MEETNIPPEL VENTILATOR + SLANG L400MM	PRISE PRESSION VENTILATEUR+TUYAU L400MM TOMA PRESION VENTILACION+MANGUERA L400MM	PRESA PRESSIONE VENTILATORE+TUBO L400MM	1
0068	65002366	SKALA REZIRKULATION SCHAAL RECIRCULATIE	REGLETTE RECIRCULATION REGLETA RECIRCULACION	REGOLAZIONE RICIRCOLO	1
0069	60002477	UMLENKHEBEL SCHIEBSTANGE AANDRIJ RECIRCULATIE	BIELLETTE RECIRCULATION BIELA RECIRCULACION	BIELLA RICIRCOLO	1
0070	60002445	LAGER LUFTKLAPPE KUNSTSTOFF KOPPELING SERVOMOTOR/LUCHTKLEP	ACCOUPEMENT SERVOMOTEUR/VOLET AIR ACOPLAMIENTO SERVOMOTOR/VALVULA AIRE	ACCOPPIAMENTO SERVOMOTORE/SERRANDA ARIA	1
0071	65002257	ANSCHLUSSFLANSCH M. DICHTUNG D320X171 VERBINDING FLENS+AFDICHTING D320X171	BRIDE DE RACCORD +JOINT D171X320 BRIDA DE CONEXION+JUNTA D320X171	FLANGIA DI RACCORDO+GUARNIZIONE D320X171	1
0072	60002443	ISOLIERFLANSCH D320X171X8 AFDICHTING/KETELFRONT D320X171X8	JOINT/FACADE CHAUDIERE D320X171X8 JUNTA/FRONTAL DE LA CALDERA D320X171X8	GUARNIZ./LATO FRONT. CALDAIA D320X171X8	1
0073	60002471	SCHRAUBENSET F. BRENNERFLANSCH SHROEVENSET/FLENS	KIT VIS/BRIDE KIT TORNILLOS/BRIDA	KIT VITI/FLANGIA	1
0074	65302321	SCHRAUBENSET ELCO SCHROEF SET ELCO	SET VIS ELCO TORNILLOS ELCO	SET VITI ELCO	1
0101	65074172	KUPPLUNG D18/14,7/11X22 PUMPE/MOTOR KOPPELING D18/14,7/11X22 POMP/MOTOR	ACCOUPEMENT D18/14,7/11X22 POMPE/MOTEUR ACOPLAMIENTO D18/14,7/11X22 BOMBA/MOTOR	GIUNTO D18/14,7/11X22 POMPA/MOTORE	1
0102	65110723	HOCHTEMP-FETT HM 83-402 BIS 260°C (5GRA) GLIJMIDDEL HOGE TEMPERATUUR 260°C	GRAISSE HAUTE TEMPERATURE 260°C GRASA TEMPERATURA ALTA 260°C	GRASSO ALTA TEMPERATURA 260°C	1
0143	65002254	ANSAUGLUFTFUEHRUNG D190 LUCHTKRINGLOOP D190	RECYCLAGE AIR D190 RECICLAJE DE AIRE D190	CONVOGLIATORE ARIA D190	1
	65002255	ANSAUGLUFTFUEHRUNG LUCHTKRINGLOOP	RECYCLAGE AIR RECICLAJE DE AIRE	CONVOGLIATORE ARIA	1
0321	60002440	HALTER ZUENDTRAFO 120X76X41 STEUN ONTSTEKINGSTRAFO 120X76X41	SUPPORT ALLUMEUR 120X76X41 SOPORTE ENCENDEADOR 120X76X41	SUPPORTO TRANSFO. ACC. 120X76X41	1
0322	60002428	DICHTUNG ZUENDTRAFO AFDICHTING ONTSTEKINGSTRAFO	JOINT ALLUMEUR JUNTA ENCENDEADOR	GUARNIZIONE TRANSFO. ACC.	1
0400	65002261	BEFESTIGUNG ZUENDELEKTRODEN BEVESTIGING ONTSTEKINGSELEKTRODEN	FIXATION ELECTRODES D'ALLUMAGE FIJACION ELECTRODOS DE ENCENDIDO	FISSAGGIO ELETTRODI DI ACCENSIONE	1
0410	65073795	SPULE PAR XT09 230V 50H SPOEL PAR XT09 230V 50H	BOBINE PAR XT09 230V 50H BOBINA PAR XT09 230V 50H	BOBINA PAR XT09 230V 50H	1
5001	0E121682	DUESE DEL 4,50GPH 80° B SPROEIER DEL 4,50GPH 80° B	GICLEUR DEL 4,50GPH 80° B BOQUILLA DEL 4,50GPH 80° B	UGELLO DEL 4,50GPH 80° B	1
	121556	DUESE DEL 3,50GPH 80° A SPROEIER DEL 3,50GPH 80° A	GICLEUR DEL 3,50GPH 80° A BOQUILLA DEL 3,50GPH 80° A	UGELLO DEL 3,50GPH 80° A	1
	121557	DUESE DEL 4,00GPH 80° A SPROEIER DEL 4,00GPH 80° A	GICLEUR DEL 4,00GPH 80° A BOQUILLA DEL 4,00GPH 80° A	UGELLO DEL 4,00GPH 80° A	1
	121558	DUESE DEL 4,50GPH 80° A SPROEIER DEL 4,50GPH 80° A	GICLEUR DEL 4,50GPH 80° A BOQUILLA DEL 4,50GPH 80° A	UGELLO DEL 4,50GPH 80° A	1
	121559	DUESE DEL 5,00GPH 80° A SPROEIER DEL 5,00GPH 80° A	GICLEUR DEL 5,00GPH 80° A BOQUILLA DEL 5,00GPH 80° A	UGELLO DEL 5,00GPH 80° A	1
	121560	DUESE DEL 5,50GPH 80° A SPROEIER DEL 5,50GPH 80° A	GICLEUR DEL 5,50GPH 80° A BOQUILLA DEL 5,50GPH 80° A	UGELLO DEL 5,50GPH 80° A	1
	121561	DUESE DEL 6,00GPH 80° A SPROEIER DEL 6,00GPH 80° A	GICLEUR DEL 6,00GPH 80° A BOQUILLA DEL 6,00GPH 80° A	UGELLO DEL 6,00GPH 80° A	1
	121563	DUESE DEL 7,00GPH 80° A SPROEIER DEL 7,00GPH 80° A	GICLEUR DEL 7,00GPH 80° A BOQUILLA DEL 7,00GPH 80° A	UGELLO DEL 7,00GPH 80° A	1
	121681	DUESE DEL 4,00GPH 80° B SPROEIER DEL 4,00GPH 80° B	GICLEUR DEL 4,00GPH 80° B BOQUILLA DEL 4,00GPH 80° B	UGELLO DEL 4,00GPH 80° B	1
	121683	DUESE DEL 5,00GPH 80° B SPROEIER DEL 5,00GPH 80° B	GICLEUR DEL 5,00GPH 80° B BOQUILLA DEL 5,00GPH 80° B	UGELLO DEL 5,00GPH 80° B	1
	140012	DUESE DEL 5,50GPH 80° B SPROEIER DEL 5,50GPH 80° B	GICLEUR DEL 5,50GPH 80° B BOQUILLA DEL 5,50GPH 80° B	UGELLO DEL 5,50GPH 80° B	1
	140013	DUESE DEL 6,00GPH 80° B SPROEIER DEL 6,00GPH 80° B	GICLEUR DEL 6,00GPH 80° B BOQUILLA DEL 6,00GPH 80° B	UGELLO DEL 6,00GPH 80° B	1
	65002447	DUESE DEL 6,50GPH 80° A SPROEIER DEL 6,50GPH 80° A	GICLEUR DEL 6,50GPH 80° A BOQUILLA DEL 6,50GPH 80° A	UGELLO DEL 6,50GPH 80° A	1
	65002448	DUESE DEL 9,50GPH 80° A SPROEIER DEL 9,50GPH 80° A	GICLEUR DEL 9,50GPH 80° A BOQUILLA DEL 9,50GPH 80° A	UGELLO DEL 9,50GPH 80° A	1
	65002764	DUESE DEL 7.5 GAL 80°A SPROEIER DEL 7.5 GAL 80°A	GICLEUR DEL 7.5 GAL 80°A BOQUILLA DEL 7.5 GAL 80°A	UGELLO DEL 7.5 GAL 80°A	1
	65002765	DUESE DEL 8.0 GAL 80°A SPROEIER DEL 8.0 GAL 80°A	GICLEUR DEL 8.0 GAL 80°A BOQUILLA DEL 8.0 GAL 80°A	UGELLO DEL 8.0 GAL 80°A	1
	65002767	DUESE DEL 8.5 GAL 80°A SPROEIER DEL 8.5 GAL 80°A	GICLEUR DEL 8.5 GAL 80°A BOQUILLA DEL 8.5 GAL 80°A	UGELLO DEL 8.5 GAL 80°A	1
	65002768	DUESE DEL 9.0 GAL 80°A SPROEIER DEL 9.0 GAL 80°A	GICLEUR DEL 9.0 GAL 80°A BOQUILLA DEL 9.0 GAL 80°A	UGELLO DEL 9.0 GAL 80°A	1



ADDRESSES

<https://www.elco-burners.com>

www.elco.net

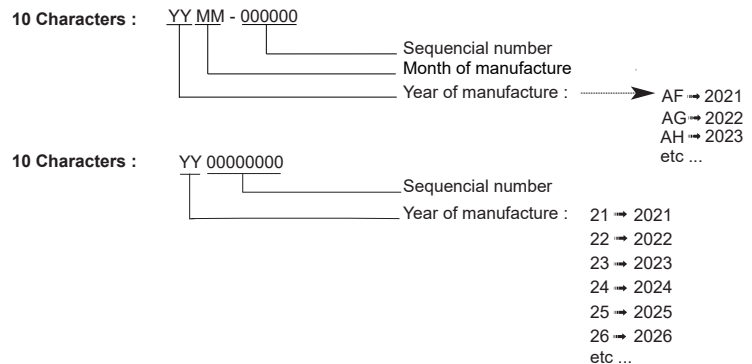


LIST OF THE ABBREVIATIONS

-  : Maintenance parts / Pièces d'entretien / Materiali di consumo /
: Piezas de mantenimiento / Hilfsmaterial / Onderhoudsonderdelen
-  : Wearing parts / Pièces d'usure / Parti di usura
: Piezas de desgaste / Verschleissteile / Slijtageonderdelen
- * : Item not stocked, manufactured to order / Article non stocké, fabrication à la demande /
: Articolo non a magazzino, produzione all'ordine / Artículo no almacenado, fabricación previa solicitud /
: Keine Lagerware, wird bei Bedarf bestellt, Artikel niet op voorraad, fabricage op bestelling

IDENTIFICATION PLATE

SERIAL NUMBER



18 Characters : 070115 200000000001

Sequential number
Manufacturing day (07) / Month (01) / Year (15)

The indications mentioned on the prices, commercial or technical literature and the scheme are written for your guidance and are available at a given time. The CONSTRUCTOR retains the power to modify the presentation, the form, the size, the conception or the material of the products.