



SPARE PARTS EXPLODED VIEW GAS BURNERS

Model

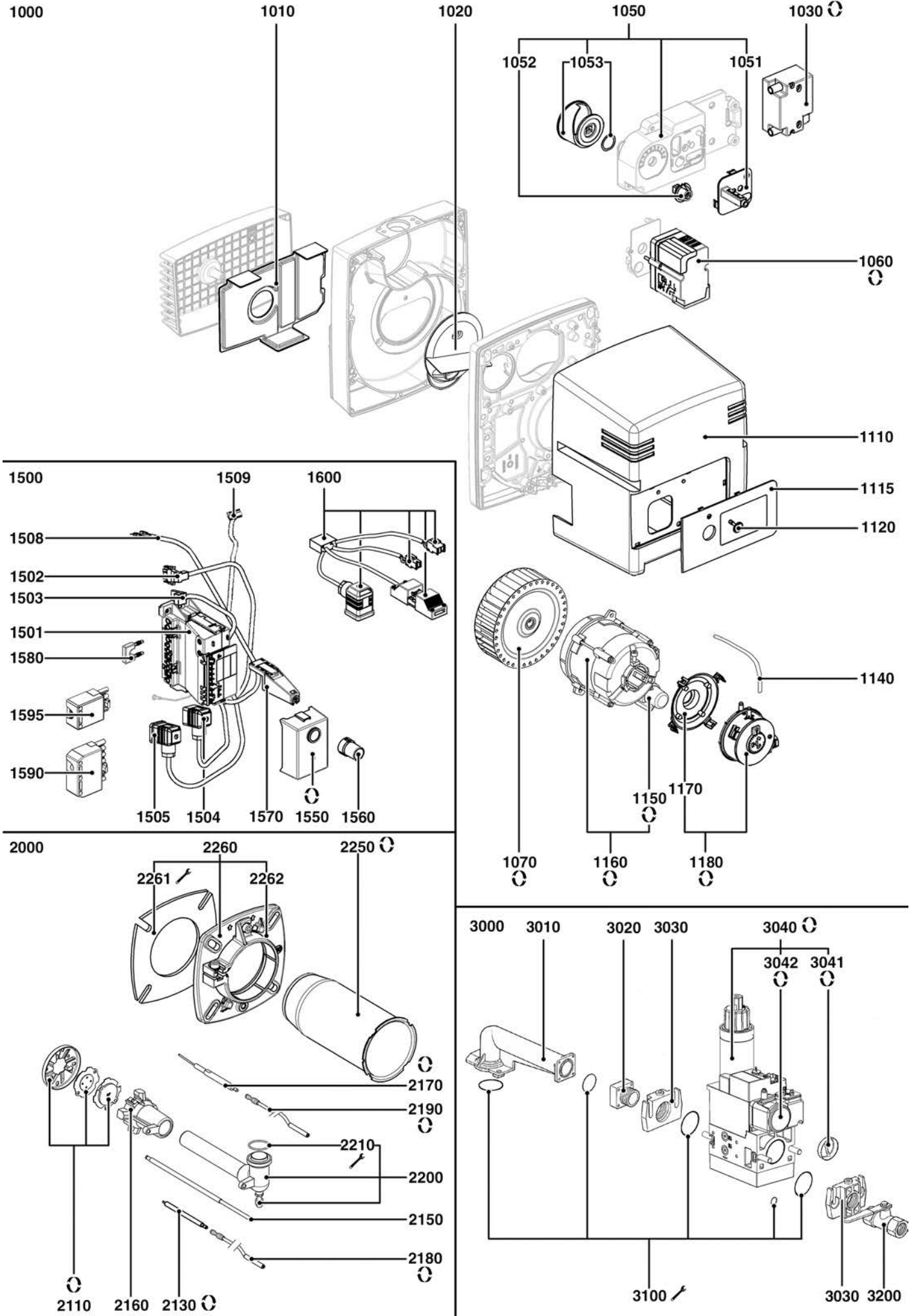
CB-VG1 D E

R8220270-01 - 05/07/2018

CB-VG1 D E

Gas burners

1	3836355	CB-VG 1.105 D E D3/4" RP3/4" KN	06-2018	-
2	3836571	CB-VG 1.105 D E D3/4" RP3/4" KN	06-2018	-
3	3836519	CB-VG 1.105 D E D3/4" RP3/4" KL	06-2018	-
4	3836580	CB-VG 1.105 D E D3/4" RP3/4" KL	06-2018	-
Col	Reference	Model type	Begin	End



		DE NL	FR ES	IT	X
1010	13018442	SCHALDÄMMMATE/LUFTKASTEN ISOLATIE / LUCHTKAST	ISOLATION PHONIQUE/BOITE A AIR AISLAMIENTO CAJA DE AIRE	ISOLAMENTO SCATOLA DELL'ARIA	1
1020	13010513	ANSAUGLUFTFUEHRUNG D103/45 100X97L55 65° LUCHTGELEIDING D103/45 VIN100X97 L55 65°	RECYCLAGE AIR D103/45 AL.100X97 L55 65° RECICLAJE AIRE D103/45 100X97 L55 65°	CONVOGLIATORE ARIA D103/45 100X97L55 65°	1
1030	65300715	ZUENDTRAF0 EBI 1X11 230V ONTSTEKINGSTRAFO EBI 1X11 230V	ALLUMEUR EBI 1X11 230V+PRISE TERRE ENCENDEDOR EBI 1X11 230V	TRASFO. ACC. EBI 1X11 230V+PRESA TERRA	1
1050	65326750	ANTRIEBKASTEN KLAPPE D61-30X10 /GAS REGELKAST KLEP D61-30X10 /GAS	BOITIER COMMANDE VOLET D61-30X10 /GAZ CAJA MANDOS VALV. D61-30X10 /GAS	SCATOLA COMMANDO SERRANDA D61-30X10 /GAS	1
1051	13021960	GAS DECKPLATTE 61X60 D7,5+2XD9 SKALA L52 AFDEKPLAAT GAS 61X60 D7,5+2XD9 GRAD.L52	PLAQUET.TAB.GAZ 61X60 D7,5+2XD9 GRAD.L52 PLACA PANEL GAS 61X60 D7,5+2XD9 GRAD.L52	PIASTRINA GAS 61X60 D7,5+2XD9 GRAD.L52	1
1052	13010509	KNOPF REGULIERKLAPPE D28,5X28 KNOP KLEPAFTELLING D28,5X28	BOUTON REGLAGE VOLET D28,5X28 BOTON AJUSTE VALV.AIRE D28,5X28	BOTTONE REGOLAZIONE SERRANDA D28,5X28	1
1053	65327448	LUFTKLAPPE D59/55X30+FEDER 2 ST. LUCHTKLEP D59/55X30+VEER 2 ST.	VOLET AIR D59/55X30+RESSORT 2 ST. VALVULA AIRE D59/55X30+MUELLE 2 ST.	SERRANDA ARIA D59/55X30+MOLLA 2 ST.	1
1060	13012022	STELLANTRIEB STA 5 B036/8 2N36 160° SERVOMOTOR STA5 B036/8 2N36 160°	SERVOMOTEUR STA 5 B036/8 2N36 160° SERVOMOTOR STA 5 B036/8 2N36 160°	SERVOMOTORE STA 5 B036/8 2N36 160°	1
1070	13010517	VENTILATORRAD D133X62 D10 VENTILATORWIEL D133X62 D10	TURBINE D133X62 D10 TURBINA D133X62 D10	VENTOLA D133X62 D10	1
1110	13023351	BRENNERHAUBE KAP	CAPOT CUBIERTA	COPERCHIO GRIGIO TRAN. NC4/6/9	1
1115	13010976	BESCHRIFTUNGSPLATTE 177X90 VECTRON 01 FRONTSCHILD 177X90 VECTRON 01	PLAQUETTE FRONTALE 177X90 VECTRON 01 PLACA FRONTAL 177X90 VECTRON 01	PIASTRA FRONTALE 177X90 VECTRON 01	1
1120	13007853	FLACHKOPF-SCHRAUBE SCHROEF/ASTSTELLING BRANDERKAP	VIS IMPERDABLE/FIXATION CAPOT TORNILLO IMPERDABLE/FIJACION CUBIERTA	VITE IMPERDABILE/FISSAGGIO COFANO	1
1140	13015497	SCHLAUCH ID4/7X500 SILIKON TRANSPARENT SLANG D4/7 L500 SILIKON	TUYAU D4/7 L500 SILICONE MANGUERA D4/7 L500 SILICONA	TUBETTO D4/7 L500 SILICONE	1
1150	13011117	KONDENSATOR 4µF 2P 3mm CONDENSATOR 4µF 2P 3mm	CONDENSATEUR 4µF 2P 3mm CONDENSADOR 4µF 2P 3mm	CONDENSATORE 4µF 2P 3mm	1
1160	65326740	MOTOR 0,085 KW 230V D10 MOTOR 0,085 KW 230V D10	MOTEUR 0,085 KW 230V D10 MOTOR 0,085 KW 230V D10	MOTORE 0,085 KW 230V D10	1
1170	13020723	HALTER D32 LUFTDRUCKWAECHTER HUB LUCHTDRUKSCHAKELAAR STEUN D32	SUPPORT MANOSTAT AIR D32 SOPORTE DEL MANOSTATO DE AIRE D32	SUPPORTO PRESSOSTATO DELL'ARIA D32	1
1180	65300017	LUFTDRUCKWAECHTER 604.92 1-10MB ERS.LGW10 LUCHTDRUKSCHAKELAAR 604.92 1-10MBSAV LGW10	MANOSTAT AIR 604.92 1-10MBSAV LGW10 PRESOSTATO AIRE 604.92 1-10MBSAV LGW10	PRESSOSTATO ARIA 604.92 1-10MBSAV LGW10	1
1501	13010521	ELEKTRIC ANSCHLUSSKASTEN GAS VOETPRINT V-G 02/03/04DP/EK01BF/EK03BG/F	CASSETTE RACCORDEMENT ELECT.GAZ CAsETE CONEXION ELECTRICICO GAS	CASSETTA COLLEGAMENTO ELETTRICO GAS	1
1502	13010519	KABEL MOTOR+STECKER 3P/RAST3P L300 KABEL MOTOR+STCK3P/RAST3P L300	CABLE MOTEUR+PRISE 3P/RAST3P L300 CABLE MOTOR+TOMA 3P/RAST3P L300	CAVO MOTORE+PRESA 3P/RAST3P L300	1
1503	13010535	KABEL ZÜNDTRAF0+STCK 3P/RAST2P L250 AANSLUITSN0ER TRAF0+PLUG3P/RAST2P L250	CABLE ALLUMEUR+PRISE 3P/RAST2P L250 CABLE ENCENDEDOR+TOMA 3P/RAST2P L250	CAVO TRASFO ACCENS.+PRESA 3P/RAST2P L250	1
1504	13010545	KABEL GASVENTIL+STCK DIN/RAST3P L1500 KABEL GASKLEP+STCKDIN/RAST3P L1500	CABLE VANNE GAZ+PRISE DIN/RAST3P L1500 CABLE VALVULA GAS+TOMA DIN/RAST3P L1500	CAVO VALVOLA GAS+PRESA DIN/RAST3P L1500	1
1505	13010080	KABEL GDW.+STECKER DIN/RAST3P L1500 G.DRUKSCHAKEL.KABEL+STCKDIN/RAST3P L1500	CABLE MANO GAZ+PRISE DIN/RAST3P L1500 CABLE PRESOST.AIRE+TOMA DIN/RAST3P L1500	CAVO PRESSOST.GAS+PRESA DIN/RAST3P L1500	1
1508	13010537	KABEL LDW+RAST2P/FAST.6,3 L200 L.DRUKSCHAKEL.KABEL+RAST2P/FAST.6,3 L200	CABLE MANOSTAT AIR+RAST2P/FAST.6,3 L200 CABLE PRESOST.AIRE+RAST2P/FAST.6,3 L200	CAVO PRESSOST.ARIA+RAST2P/FAST.6,3 L200	1
1509	13012024	KABEL STELLANTRIEB+STCK7P/RAST5P+4P L250 KABEL REGELMOTOR+STCK 7P/RAST5P+4P L250	CABLE SERVOM.+PRISE7P/RAST5P+RAST4P L250 CABLE SERVOM.+TOMA 7P/RAST5P+RAST4P L250	CAVO SERVOM.+PRESA 7P/RAST5P+RAST4P L250	1
1550	65301951	FEUERUNGSAUTOMAT DMG972 N MOD 03 BRANDERAUTOMAAT DMG972 N MOD 03	COFFRET DMG972 N MOD 03 PROGRAMADOR DMG972 N MOD 03	APPARECCHIATURA DMG972 N MOD 03	1
1560	13010964	KNOPF ERWEITER./ENTRIEGELUNG FEU-AUTOMAT KNOP UITBREIDING/ONGRENDELING B-AUTOMAAT	BOUTON EXTENSION/REARMEMENT COFFRET BOTON EXTENSION/DESBLOQUEO PROGRAMADOR	BOTTONE ESTENSO/RIARMO APPARECCHIATURA	1
1570	13012597	HALTERUNG BRENNERHAUBE FÜR K7 SG-SH KOLOM K7 SG-SH/BRANDERKAP	COLONNETTE K7 SG-SH/CAPOT COLUMN CASSETTA SG-SH/CUBIERTA	COLONNETTA CASSETTA SG-SH/COFANO	1
1580	13010524	IONISATIONSTECKER IONISATIE BRUG	PONT D'IONISATION PUENTE DE IONIZACION	PONTE DI RIVELAZIONE	1
1590	13010523	WIELANDSTECKER 7 P.MANN CONTACTSTOP WIELAND 7P SERIGRAPHIE	PRISE WIELAND 7P MALE SERIGRAPHIE TOMA WIELAND 7P MALE SERIGRAPHIE	SPINA WIELAND 7P SERIGRAFIA	1
1595	13009667	WIELANDST.STECKERTEIL 4-POL-GRUENE WIELAND-STECKER 4P.MANNELIJK GROENE	PRISE WIELAND 4P.MALE VERT CLAVIJA WIELAND 4P.MACHO	SPINA WIELAND 4P.MASCHIO VERDE	1
1600	13020344	KABEL V.SCHÜTZ+DIN/WIE.3P/RAST2P+3PL1500 KABEL SECUR.OIL+DIN/WI.3P/RAST2P+3PL1500	CABLE V.PILOTE+DIN/WIE.3P/RAST2P+3PL1500 CABLE SECUR.OIL+DIN/WI.3P/RAST2P+3PL1500	CAVO SECUR.OIL+DIN/WI.3P/RAST2P+3P L1500	1
2110	13007727	SET STAUSCHEIBE D74 + DÜSE D59 + VERSCH. SET STUWPLAAT D74 + NOZZLE D59+SLUITER	KIT DEFLECTEUR D74 + DIFF. D59 + OBTU. KIT DEFLECTOR D74 + DIFUSOR D59+OBTU.	KIT DIFFUSORE D74 +INIETT.GAS D59+OTTU.	1
2130	13010528	ZUENDELEKTRODE D6X80 d4 D2X7 FLANGE ONTSTEKINGSPEN D6X80 d4 D2X7 FLANGE	ELECTRODE ALLUMAGE D6X80 d4 D2X7 FLANGE ELECTRODO ENCENDIDO D6X80 d4D2X7FLANGE	ELETTRODO ACCEN. D6X80 d4 D2X7 FLANGE	1
2150	13010527	SCHUBSTANGE D4,8 L255 M6/M5+NUT M5X0,8 STELSTANG D4,8 L255 M6/M5+NUT M5X0,8	TIGE REGLAGE D4,8 L255 M6/M5+NUT M5X0,8 VARILLA AJUSTE D4,8 L255 M6/M5+NUT M5	ASTA REGOL. D4,8 L255 M6/M5+NUT M5X0,8	1
	65327443	REGULIERSTANGE L345 INTELSTANG L345	TIGE REGLAGE L345 VARILLA DE AJUSTE L345	ASTINA REGOLAZ. L345	1
2160	13010532	GASKOPF L67 D72/22 +O-RING 4 BRANCH. GASKOP L67 D72/22 +O-RING 4 BRANCH.	TETE GAZ L67 D72/22 +O-RING 4 BRANCHES CABEZA GAS L67 D72/22 +O-RING 4 BRANCH.	TESTA GAS L67 D72/22 +O-RING 4 BRANCH.	1

		DE	FR	IT	
		NL	ES		
2170	13010529	IONISATIONSSONDE D8X80 D4 D2X27 80° F+S IONISATIEPEN D8X80 D4 D2X27 80° F+S	SONDE IONISATION D8X80 D4 D2X27 80° F+S SONDA IONIZACION D8X80 D4 D2X27 80° F+S	SONDA RIVELAZIONE D8X80 D4 D2X27 80° F+S	1
2180	65300077	ZÜNDKABEL D4/D4 L380 ONTSTEKINGSKABEL D4/D4 L380	CABLE ALLUMAGE D4/D4 L380 CABLE ENCENDIDO D4/D4 L380	CAVO ACCENSIONE D4/D4 L380	1
2190	13010530	IONISATIONSKABEL CLP 6,35/D4 L500 IONISATIEKABEL CLP 6,35/D4 L500	CABLE IONISATION CLP 6,35/D4 L500 CABLE IONIZACION CLP 6,35/D4 L500	CAVO RIVELAZIONE CLP 6,35/D4 L500	1
2200	13010533	GASBOGEN+ROHR LG.160 ELLEBOOG GAS+BUIS LG.160	COUDE GAZ+TUBE LG.160 TUBO DEL GAS+CODO LG.160	GOMITO GAS+TUBO LG.160	1
	65327444	GASBOGEN + ROHR Ø22 L250 ELLEBOOG GAS + BUIS Ø22 L250	COUDE GAZ + TUBE Ø22 L250 CODO GAS + TUBERIA Ø22 L250	GOMITO GAS + TUBO Ø22 L250	1
2210	13010534	O-RING D24X3 O-RING Ø 24.0 X 3.0 NBR70	O-RING D24X3 O-RING D24X3	O-RING D24X3	1
2250	13007733	BRENNERROHR D90/75/68 L193 BRANDERBUIS D90/75/68 L193	TUBE DE FLAMME D90/75/68 L193 TUBO DE LLAMA D90/75/68 L193	BOCCAGLIO D90/75/68 L193	1
	65327441	FLAMMENROHR D90/75/68 L283 BRANDERBUIS D90/75/68 L283	TUBE DE FLAMME D90/75/68 L283 TUBO DE LLAMA D90/75/68 L283	BOCCAGLIO D90/75/68 L283	1
2260	13018849	ANSCHLUSSFLANSCH D90 EUROFLANSCH BEVESTIGINGSSET KETEL D90 EUROFLENS	ACCESSOIRE CHAUDIERE D90 EUROBRIDE ACCESORIO CALDERA D90 EUROBRIDA	ACCESSORIO CALDAIA D90 EUROFLANGIA	1
2261	13010502	DICHTUNG/BRENNERFLANSCH 156X156X5 D90 PAKKING/OPHANGFLENS 156X156X5 D90	JOINT/BRIDE BRULEUR 156X156X5 D90 JUNTA/BRIDA QUEMADOR 156X156X5 D90	GUARNIZIONE/FLANGIA BRUC. 156X156X5 D90	1
2262	13011149	DICHTSCHNUR D90X5X5-298 PAKKING/GEVLOCHTE D90X5X5-298	JOINT/TRESSE D90X5X5-298 JUNTA/TRENZADA D90X5X5-298	GUARNIZIONE/TRECCIA D90X5X5-298	1
3010	13010952	GASROHRANSCHLUSS L115 GASAANSLUITBUIS COMPLEET	COLLECTEUR/BRIDES L115 COLECTOR ACPL. L115	COLLETTORE-BRIDA L=115 NC6 GX	1
3020	13012203	FLANSCH MB405 RP3/4+ADAPTER GAS TUBE FLENS MB405 RP3/4+ADAPTER GAS TUBE	BRIDE MB405 RP3/4+ADAPTER GAS TUBE BRIDA MB405 RP3/4+ADAPTER GAS TUBE	FLANGIA MB405 RP3/4+ADAPTER TUBO GAS	1
3030	13010074	FLANSCH MB405/407 RP3/4 +O-RING FLENS MB405/407 RP3/4 +O-RING	BRIDE MB405/407 RP3/4 +O-RING BRIDA MB405/407 RP3/4 +O-RING	FLANGIA MB405/407 RP3/4 +O-RING	1
3040	13010071	GASVENTIL MB-ZRDLE407 B01 S20 RP3/4 GASKLEP MBZRDLE407 B01 S20 RP3/4	VANNE GAZ MB-ZRDLE407 B01 S20 RP3/4 VALVULA GAS MBZRDLE407 B01 S20 RP3/4	VALVOLA GAS MB-ZRDLE407 B01 S20 RP3/4	1
3041	65326948	FILTEREINSATZ D20 /MB.405/407 FILTERELEMENT D20 /MB.405/407	ELEMENT FILTRANT D20 /MB.405/407 ELEMENTO FILTRANTE D20 /MB.405/407	ELEMENTO FILTRANTE D20 /MB.405/407	1
3042	13010078	GASDRUCKWACHTER GW 150 A5 5-150MB GASDRUKSCHAKELAAR GW 150 A5 5-150MB	MANOSTAT GAZ GW 150 A5 5-150MB PRESOSTATO GAS GW 150 A5 5-150MB	PRESSOSTATO GAS GW 150 A5 5-150MB	1
3100	13011519	O-RINGSATZ D24X3+D22X2,5+D11X2 MBZ.407 O-RINGSET D24X3+D22X2,5+D11X2 MBZ.407	KIT O-RING D24X3+D36X3(2)+D22X2,5+D11X2 KIT O-RING D24X3+D36X3(2)+D22X2,5+D11X2	KIT O-RING D24X3+D36X3(2)+D22X2,5+D11X2	1
3200	65300663	OP-KUGELHAHN 1/4 TR R3/4 Z OP-KOGELKRAAN 1/4 TR R3/4 Z	OP-VANNE SPHERIQUE 1/4TR RP3/4" VALVULA MANUAL 3/4	OP-VALVOLA A SFERA 1/4 TR RP3/4"	1



		RU TR	PT	PL	X
1010	13018442	ИЗОЛЯЦИЯ/ВОЗДУШНЫЙ БЛОК İZOLASYON/HAVA KUTUSU	ISOLAMENTO / CAIXA DE ADMISSÃO DE AR	IZOLACJA / OBUDOWA UKŁADU POWIETRZA	1
1020	13010513	ЗАСЛОНКА РЕЦИ.ВОЗ.Д103/45 100X97 L55 65° HAVA GERI DÖNÜŞÜMÜ	RECICLAGEM AR D103/45 100X97 L55 65°	RECYRKULACJA POW.D103/45 100X97 L55 65°	1
1030	65300715	ТРАНСФО РОЗЖИГА ЕБИ 1X11 230V ATEŞLEME TRAFO. EBI 1X11 230V+TOPRAK SO.	TRANSFO IGNIÇÃO EBI 1X11 230V	TRANSFOZAPL.EBI 1X11 230V+UZIEMI.ZŁĄCZE	1
1050	65326750	КОРОБ РЕГУЛ.КЛАПАНА /ГАЗА KUTUSU ADJUST KLAPESI D61-30X10 /GAZ	CAIXA COMANDO FLAP D61-30X10 /GAS	KOMORA ADJUST PRZEP. D61-30X10 /GAZU	1
1051	13021960	ЩИТОК ПАНЕЛИ GAS 61X60 D7,5+2XD9GRAD.L52 GÖS.PLAKASI GAZU 61X60 D7,5+2XD9GRAD.L52	PLACA PAINEL GAS 61X60 D7,5+2XD9GRAD.L52	PLYTA TABLI.GAS 61X60 D7,5+2XD9 GRAD.L52	1
1052	13010509	КНОПКА УСТАНОВКА ЩИТКА D28,5X28 BUTONU FLAP AYARI D28,5X28	BOTÃO AJUSTE FLAP DE AR D28,5X28	PRZYCISK USTAWIEN.KLAPY D28,5X28	1
1053	65327448	ВОЗДУШ.ЗАСЛОН. D59/55X30+ПРУЖИНА 2 ST. HAVA KLAPESI D59/55X30+RÖSOR 2 ST.	FLAP DE AR D59/55X30+MOLA 2 ST.	PRZEPUST.POWIET.D59/55X30+SPREZYNA 2 ST.	1
1060	13012022	СЕРВОДВИГАТЕЛЬ STA 5 B036/8 2N36 160° SERVOMOTOR STA 5 B036/8 2N36 160°	SERVOMOTOR STA 5 B036/8 2N36 160°	SERWOMOTOR STA 5 B036/8 2N36 160°	1
1070	13010517	РАБОЧЕЕ КОЛЕСО Д.133X62 Д10 TÜRBIN D133X62 D10	TURBINA D133X62 D10	WIMIK D133X62 D10	1
1110	13023351	ЧЕХОЛ MUHAFAZA KARAĞI	HOOD	POKRYWA	1
1115	13010976	ПЛАСТИНА 177X90 VECTRON 01 PLAKASI 177X90 VECTRON 01	PLACA FRONTAL 177X90 VECTRON 01	POKRYWA PRZEDNIA 177X90 VECTRON 01	1
1120	13007853	ВИНТ IMPERDABLE/FIXATION КОЖУХ OVAL HEAD SCREW/FIX COVER	PARAFUSO IMPERDABLE/FIXACAO COBERTURA	ŚRUBA / WKREŃ	1
1140	13015497	ТРУБА Д4/7 L500 СИЛИКОНОВЫЙ BORU D4/7 L500 SILIKON	MANGUEIRA D4/7 L500 SILICONE	PRZEWÓD D4/7 L500 SILIKON	1
1150	13011117	КОНДЕНСАТОР 4µF 2P 3mm KONDENSATOR 4µF 2P 3MM	CAPACITOR 4µF 2P 3mm	KONDENSATOR 4µF 2P 3MM	1
1160	65326740	ЭЛЕКТРОДВИГАТЕЛЬ 0,085 KW 230V D10 MOTORU 0,085 KW 230V D10	MOTOR 0,085 KW 230V D10	SILNIK 0,085 KW 230V D10	1
1170	13020723	КРОНШТЕЙН ПНЕВМОРЕЛЕ D32 HAVA BASINÇ ŞALTERI MESNEDI D32	BASE MANÓSTATO AR D32	WSPORNIK CZUJNIKA CIŚNI. POWIET. D32	1
1180	65300017	РЕЛЕ ДАВ. ВОЗДУХА 604.92 1-10MBSAV LGW10 HAVA BASINÇ ŞALT. 604.92 1-10MBSAV LGW10	PRESSOSTATO AR 604.92 1-10MBSAV LGW10	CZUJNIK CIŚ.POW. 604.92 1-10MBSAV LGW10	1
1501	13010521	КЛЕММНАЯ КОРОБКА СЦОКОЛЕМ GAS ELECTRIC CONNECTION BOX GAS	CASSETE LIGAÇÃO ELÉCTRICA GAS	ZŁĄCZE ELEKTRYCZNE	1
1502	13010519	КАБЕЛЬ ЭЛЕКТРОДВИГАТЕЛЬ+P.3P/RAST3P L300 MOTORU KABLOSU+FIŞ 3P/RAST3P L300	CABO MOTOR+TOMADA 3P/RAST3P L300	PRZEWÓD SILNIK+WTYCZKA 3P/RAST3P L300	1
1503	13010535	КАБЕЛЬ ТРАНСФО РОЗЖИГА+PL.3P/RAST2P L250 KABLOSU ATEŞL. TRAFO.+PLUG3P/RAST2P L250	CABO TRANSFO IGNIÇÃO+TOM.3P/RAST2P L250	PRZEWÓD TRANSFO ZAPL.+PLUG3P/RAST2P L250	1
1504	13010545	КАБЕЛЬ ГАЗОВЫЙ КЛАПАН+P.DIN/RAST3P L1500 GAZ VANASI KABLOSU+PLUGDIN/RAST3P L1500	CABO VALVULA GAS+TOMADA DIN/RAST3P L1500	PRZEWÓD ZAWÓR GAZOWY+PL.DIN/RAST3P L1500	1
1505	13010080	КАБЕЛЬ РЕЛЕ ДАВ. ГАЗА+P.DIN/RAST3P L1500 GAZ BAS.ŞALT.KABLOSU+PL.DIN/RAST3P L1500	CABO PRESSOST.GAS+TOMAD.DIN/RAST3P L1500	PRZEWÓD CZUJN. CIŚ.GAZU+DIN/RAST3P L1500	1
1508	13010537	КАБЕЛЬ Р.ДАВ.ВОЗДУХА+RAST2P/FAST6,3 L200 HAVA BAS.ŞALT.KABLOSU+RAST2P/FAST6,3L200	CABO PRESSOST.AR+RAST2P/FAST.6,3 L200	PRZEWÓD CZUJ.CIŚ.POW.+RAST2P/FAST6,3L200	1
1509	13012024	КАБЕЛЬ СЕРВОДВИГ.+PL.7P/RAST5P+4P L250 SERVOM. KABLOSU+PL.7P/RAST5P+RAST4P L250	CABO SERVOMOT.+TOM.7P/RAST5P+RAST4P L250	PRZEWÓD SERWOM.+PL.7P/RAST5P+RAST4P L250	1
1550	65301951	БЛОК УПРАВЛЕНИЯ DMG972 N MOD 03 KUTU DMG972 N MOD 03	PROGRAMADOR DMG972 N MOD 03	MODUŁ DMG972 N MOD 03	1
1560	13010964	КНОПКА РАСШИРЕНИЕ/РАЗБЛОКИР. БЛОК УПРАВ. BUTONU UZATMA/BOŞALTMA KUTU	BOTÃO EXTENSAO/REARME PROGRAMADOR	PRZYCISK ROZBUDOWA/ODBLOKOWUJĄCY MODUŁ	1
1570	13012597	КОЛОНКА К7 SG-SH/КОЖУХ KOLON K7 SG-SH/KARAĞI	COLUNA CASSETTA SG-SH/COBERTURA	KOLUMNA K7 SG-SH/OŚLONA	1
1580	13010524	ИОНИЗАЦИОННЫЙ МОСТ İYONIZYON BAĞLANTISI	PONTE DE IONIZACIÓN	MOSTEK YONIZACYJNY	1
1590	13010523	ШТЕКЕР WIELAND 7P 7P ERKEK WIELAND PRIZI	TOMADA WIELAND 7P MACHO SERIGRAPHIE	GNIAZDO WIELAND MĘSKIE 7P	1
1595	13009667	ШТЕКЕР WIELAND 4P WIELAND WIELAND FIŞ 4P. ERKEK	FICHA WIELAND 4P.MACHO	WTYCZKA WIELAND 4P	1
1600	13020344	КАБЕЛЬ SEC.OIL+DIN/WI.3P/RAST2P+3P L1500 KABLOSU SEC.OIL+DIN/WI.3P/RAST2P+3PL1500	CABO SECU.OIL+DIN/WIE.3P/RAST2P+3P L1500	PRZEWÓD SEC.OIL+DIN/WI.3P/RAST2P+3PL1500	1
2110	13007727	КОМПЛЕКТ ДЕФЛЕКТ.Д74+ДИФУЗО.Д59+ЗАТВ. KITI DEFLEKTOR D74+DIFUZÖR.L.D59+PANJUR	KIT DEFLECTOR D74 + DIFUSOR D59+OBTU.	ZESTAW DEFLEKT. D74+DYSZ GAZU D59+MIG.	1
2130	13010528	ЭЛЕКТРОД ЗАЖИГАНИЯ D6X80 d4 D2X7FLANGE ATEŞLEYİCİ ELEKTROD D6X80 D4 D2X7 FLANŞI	ELETRODO ENCENDIDO D6X80 d4 D2X7FLANGE	ELEKTRODA ALU. D6X80 D4 D2X7 KOŁNIERZ	1
2150	13010527	РЕГУ.СТЕРЖЕНЬ D4,8 L255 M6/M5+NUT M5X0,8 AYAR ÇUBUĞU D4,8 L255 M6/M5+NUT M5X0,8	HASTE AJUSTE D4,8 L255 M6/M5+NUT M5X0,8	TRZPIEŃ REGUL.D4,8 L255 M6/M5+NUT M5X0,8	1
	65327443	РЕГУЛИРОВОЧН. L345 AYAR ÇUBUĞU L345	HASTE DE REGULAÇÃO C.345	TRZPIEŃ REGULACYJNY L345	1
2160	13010532	ОГНЕВАЯ ГОЛ.Л67 D72/22 +O-RING 4 BRANCH. GAZ KAFA L67 D72/22 +O-RING 4 BRANCH.	CABEÇA GAS L67 D72/22 +O-RING 4 BRANCH.	GŁOWICA GAZ L67 D72/22 +O-RING 4 BRANCH.	1

ADDRESSES

www.elco.net



LIST OF THE ABBREVIATIONS

-  : Maintenance parts / Pièces d'entretien / Materiali di consumo /
: Piezas de mantenimiento / Hilfsmaterial / Onderhoudsonderdelen
-  : Wearing parts / Pièces d'usure / Parti di usura
: Piezas de desgaste / Verschleissteile / Slijtageonderdelen
- * : Item not stocked, manufactured to order / Article non stocké, fabrication à la demande /
: Articolo non a magazzino, produzione all'ordine / Artículo no almacenado, fabricación previa solicitud /
: Keine Lagerware, wird bei Bedarf bestellt, Artikel niet op voorraad, fabricage op bestelling

IDENTIFICATION PLATE

SERIAL NUMBER

7 Characters : 00001 / K A

Sequential number

Trimester of manufacture : from A to D
Year of manufacture : K → 2003
L → 2004
M → 2005
etc ...

8 Characters : 00001 / L 09

Sequential number

Month of manufacture
Year of manufacture : K → 2003
L → 2004
M → 2005
etc ...

11 Characters : 2007 1370 P 07

Year of manufacture

Month of manufacture
Year of manufacture : P → 2007
R → 2008
S → 2009
T → 2010
U → 2011
W → 2012
X → 2013
Y → 2014
Z → 2015

Sequential number

18 Characters : 070115 000000000001

Sequential number
Manufacturing day (07) / Month (01) / Year (15)

The indications mentioned on the prices, commercial or technical literature and the scheme are written for your guidance and are available at a given time. The CONSTRUCTOR retains the power to modify the presentation, the form, the size, the conception or the material of the products.