



SPARE PARTS EXPLODED VIEW  
GAS BURNERS  
Model  
**CB-VG2 DP E**

R8220273-02 - 06/11/2018

CB-VG2 DP E

Gas burners

|    |         |                                       |         |   |
|----|---------|---------------------------------------|---------|---|
| 1  | 3836364 | CB-VG2.120 DP E D332 - 3/4" RP3/4" KN | 07-2018 | - |
| 2  | 3836365 | CB-VG2.120 DP E D332 - 3/4" RP3/4" KL | 09-2018 | - |
| 3  | 3836366 | CB-VG2.120 DP E D333-3/4" RP3/4" KN   | 09-2018 | - |
| 4  | 3836367 | CB-VG2.120 DP E D333-3/4" RP3/4" KL   | 09-2018 | - |
| 5  | 3836368 | CB-VG2.160 DP E D345-3/4" RP3/4" KN   | 09-2018 | - |
| 6  | 3836369 | CB-VG2.160 DP E D345-3/4" RP3/4" KL   | 09-2018 | - |
| 7  | 3836370 | CB-VG2.160 DP E D347-3/4" RP3/4" KN   | 06-2018 | - |
| 8  | 3836371 | CB-VG2.160 DP E D347-3/4" RP3/4" KL   | 06-2018 | - |
| 9  | 3836374 | CB-VG2.205 DP E D345-3/4" RP3/4" KN   | 09-2018 | - |
| 10 | 3836375 | CB-VG2.205 DP E D345-3/4" RP3/4" KL   | 09-2018 | - |
| 11 | 3836376 | CB-VG2.205 DP E D346-3/4" RP3/4" KN   | 09-2018 | - |
| 12 | 3836377 | CB-VG2.205 DP E D346-3/4" RP3/4" KL   | 09-2018 | - |
| 13 | 3836372 | CB-VG2.205 DP E D348-1*1/4 RP1*1/4 KN | 09-2018 | - |
| 14 | 3836373 | CB-VG2.205 DP E D348-1*1/4 RP1*1/4 KL | 09-2018 | - |

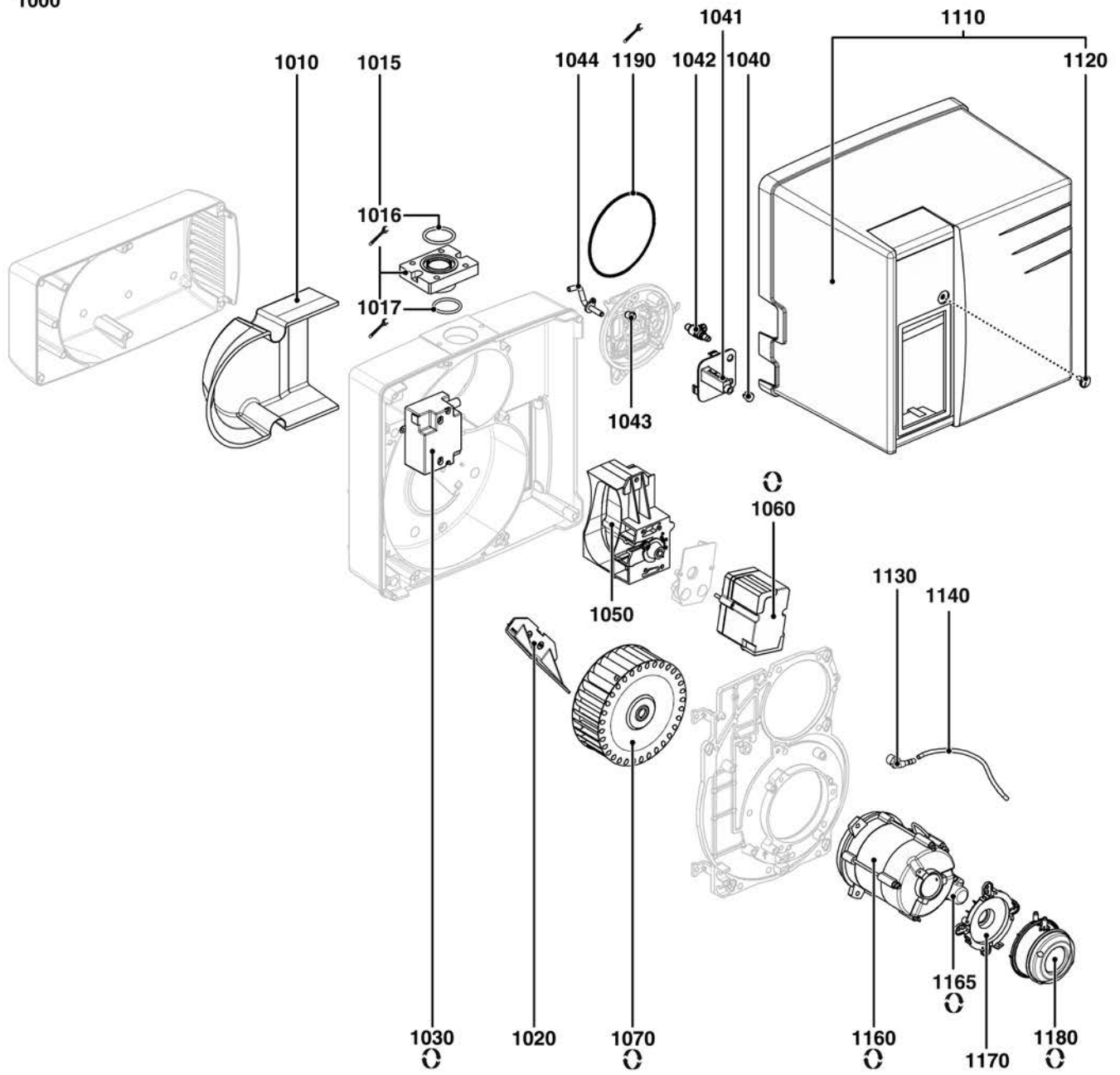
  

| Col | Reference | Model type | Begin | End |
|-----|-----------|------------|-------|-----|
|-----|-----------|------------|-------|-----|

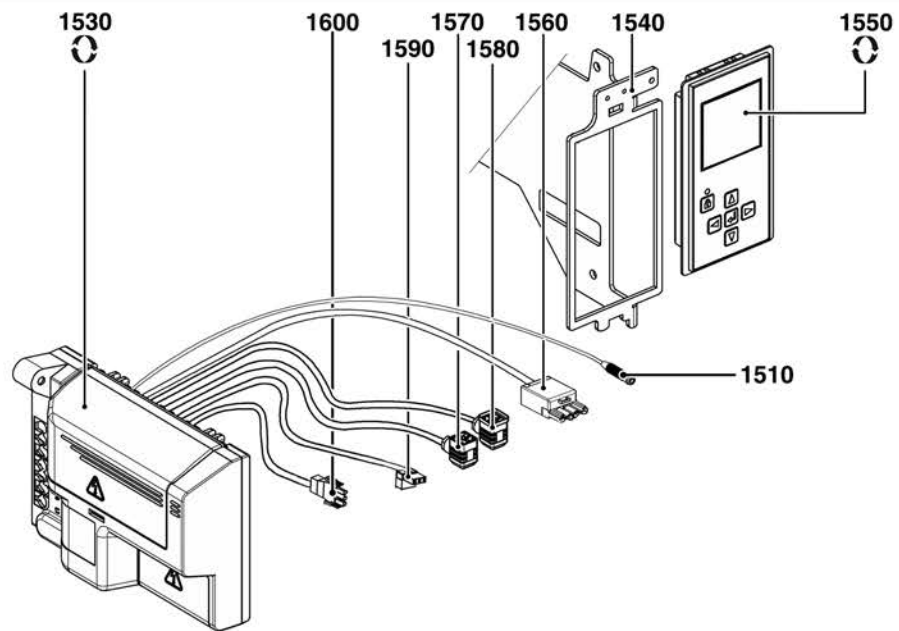
1000

CB-VG2 DP E

Gas burners

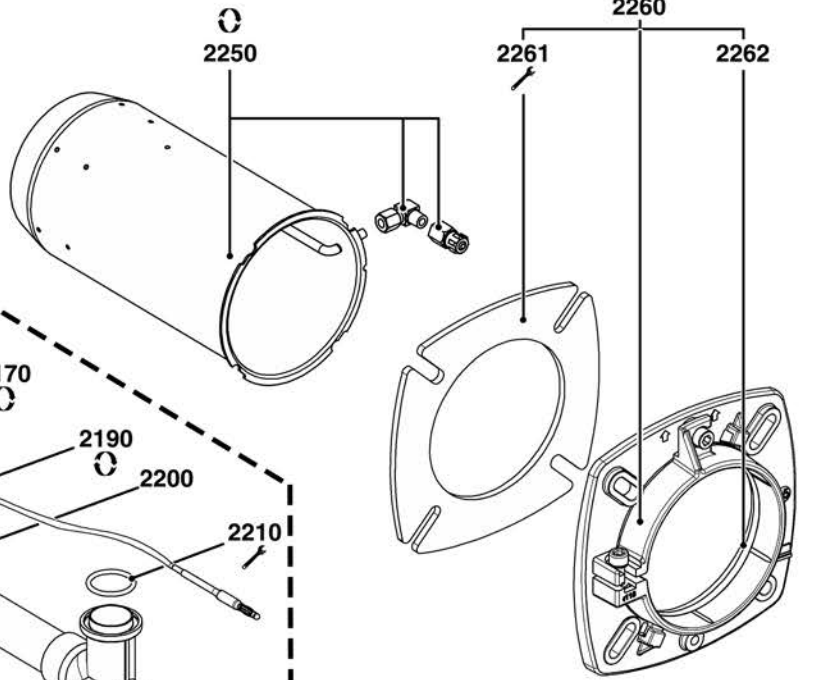
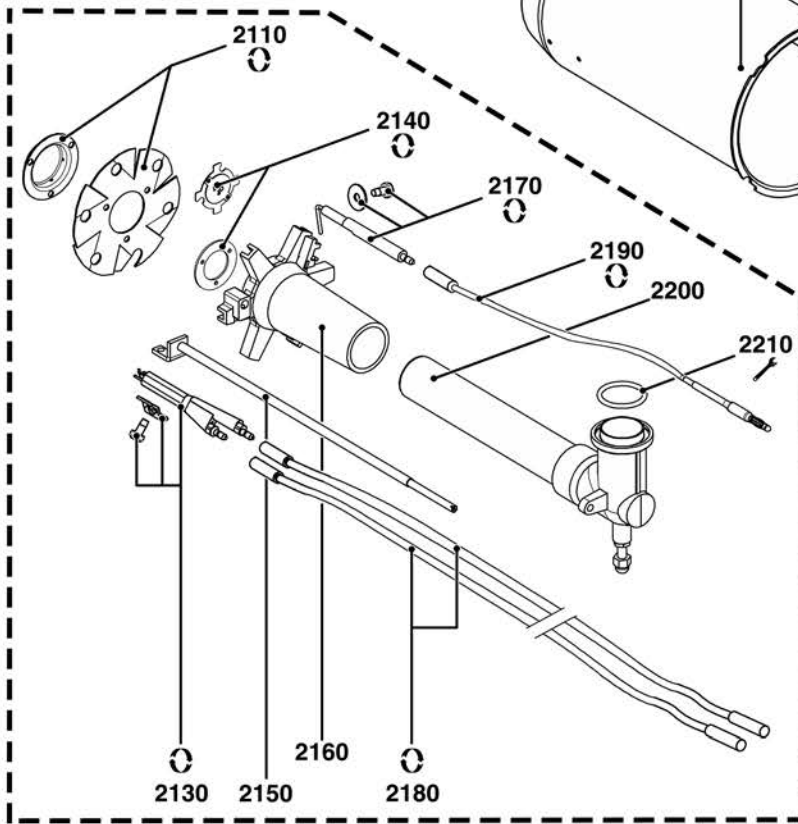


1500

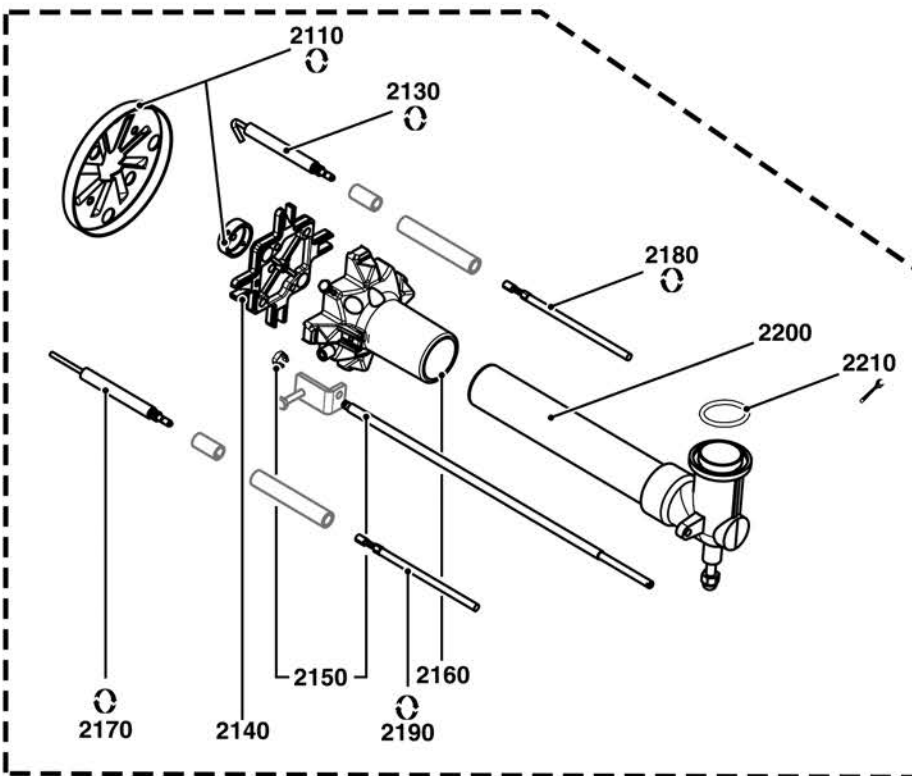




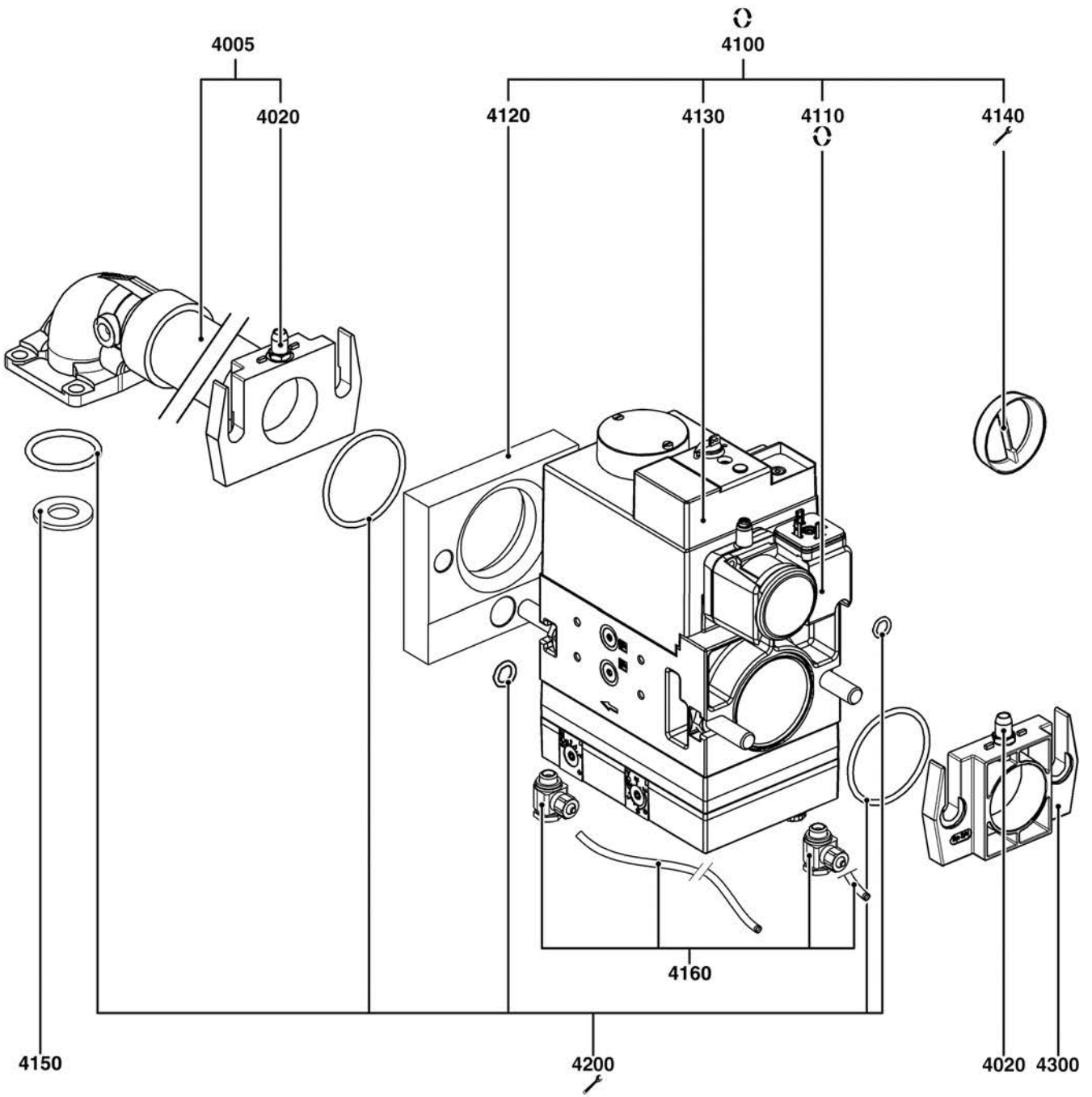
120/140/160 kW



205 kW







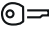


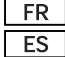
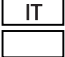

| ☉⇒   | Description                              | Manf. Pt. N | Type | <div style="display: flex; justify-content: space-between; font-size: 8px;"> <span>CB-VG2 120DP E-D302-3/4 RP3/4 MN</span> <span>CB-VG2 120DP E-D302-3/4 RP3/4 MN</span> <span>CB-VG2 120DP E-D302-3/4 RP3/4 MN</span> <span>CB-VG2 120DP E-D302-3/4 RP3/4 MN</span> <span>CB-VG2 120DP E-D302-3/4 RP3/4 MN</span> <span>CB-VG2 120DP E-D302-3/4 RP3/4 MN</span> <span>CB-VG2 120DP E-D302-3/4 RP3/4 MN</span> <span>CB-VG2 120DP E-D302-3/4 RP3/4 MN</span> <span>CB-VG2 120DP E-D302-3/4 RP3/4 MN</span> <span>CB-VG2 120DP E-D302-3/4 RP3/4 MN</span> <span>CB-VG2 120DP E-D302-3/4 RP3/4 MN</span> <span>CB-VG2 120DP E-D302-3/4 RP3/4 MN</span> <span>CB-VG2 120DP E-D302-3/4 RP3/4 MN</span> <span>CB-VG2 120DP E-D302-3/4 RP3/4 MN</span> <span>CB-VG2 120DP E-D302-3/4 RP3/4 MN</span> <span>CB-VG2 120DP E-D302-3/4 RP3/4 MN</span> <span>CB-VG2 120DP E-D302-3/4 RP3/4 MN</span> <span>CB-VG2 120DP E-D302-3/4 RP3/4 MN</span> <span>CB-VG2 120DP E-D302-3/4 RP3/4 MN</span> </div> |   |   |   |   |   |   |   |   |    |    |    |    |    |    |    |    |    | From | to |
|------|------------------------------------------|-------------|------|-----------------------------------------------------------------------------------------------------------------------------------------------------------------------------------------------------------------------------------------------------------------------------------------------------------------------------------------------------------------------------------------------------------------------------------------------------------------------------------------------------------------------------------------------------------------------------------------------------------------------------------------------------------------------------------------------------------------------------------------------------------------------------------------------------------------------------------------------------------------------------------------------------------------------------------------------------------------------------------------------|---|---|---|---|---|---|---|---|----|----|----|----|----|----|----|----|----|------|----|
|      |                                          |             |      | 1                                                                                                                                                                                                                                                                                                                                                                                                                                                                                                                                                                                                                                                                                                                                                                                                                                                                                                                                                                                             | 2 | 3 | 4 | 5 | 6 | 7 | 8 | 9 | 10 | 11 | 12 | 13 | 14 | 15 | 16 | 17 | 18 |      |    |
| 4000 | <b>GAS TRAIN</b>                         |             |      |                                                                                                                                                                                                                                                                                                                                                                                                                                                                                                                                                                                                                                                                                                                                                                                                                                                                                                                                                                                               |   |   |   |   |   |   |   |   |    |    |    |    |    |    |    |    |    |      |    |
| 4005 | COMPLETE COLLECTOR                       | 13018098    |      | •                                                                                                                                                                                                                                                                                                                                                                                                                                                                                                                                                                                                                                                                                                                                                                                                                                                                                                                                                                                             | • | • | • | • | • | • | • | • | •  | •  |    |    |    |    |    |    |    |      |    |
|      | COMPLETE COLLECTOR                       | 13018623    |      |                                                                                                                                                                                                                                                                                                                                                                                                                                                                                                                                                                                                                                                                                                                                                                                                                                                                                                                                                                                               |   |   |   |   |   |   |   |   |    |    | •  | •  |    |    |    |    |    |      |    |
| 4020 | PRESSURE TAP R1/8                        | 13009722    |      | •                                                                                                                                                                                                                                                                                                                                                                                                                                                                                                                                                                                                                                                                                                                                                                                                                                                                                                                                                                                             | • | • | • | • | • | • | • | • | •  | •  | •  | •  |    |    |    |    |    |      |    |
| 4100 | GAS VALVE MBVEF407 B01 S10 RP3/4*IMPULS. | 13020612    |      | •                                                                                                                                                                                                                                                                                                                                                                                                                                                                                                                                                                                                                                                                                                                                                                                                                                                                                                                                                                                             | • |   |   | • | • |   | • | • |    |    |    |    |    |    |    |    |    |      |    |
|      | GAS VALVE MBVEF407 B01 S30 RP3/4*IMPULS. | 13020611    |      |                                                                                                                                                                                                                                                                                                                                                                                                                                                                                                                                                                                                                                                                                                                                                                                                                                                                                                                                                                                               |   | • | • |   |   | • | • |   | •  | •  |    |    |    |    |    |    |    |      |    |
|      | GAS VALVE MBVEF412 B01 S10 RP1*1/4 IMPUL | 13020613    |      |                                                                                                                                                                                                                                                                                                                                                                                                                                                                                                                                                                                                                                                                                                                                                                                                                                                                                                                                                                                               |   |   |   |   |   |   |   |   |    |    | •  | •  |    |    |    |    |    |      |    |
| 4110 | GAS PRESS.SWITCH GW 150 A5 5-150MB       | 13010078    |      | •                                                                                                                                                                                                                                                                                                                                                                                                                                                                                                                                                                                                                                                                                                                                                                                                                                                                                                                                                                                             | • | • | • | • | • | • | • | • | •  | •  | •  | •  |    |    |    |    |    |      |    |
| 4120 | FLANGE IMPULSION D14,9 MB407             | 13019202    |      | •                                                                                                                                                                                                                                                                                                                                                                                                                                                                                                                                                                                                                                                                                                                                                                                                                                                                                                                                                                                             | • | • | • | • | • | • | • | • | •  | •  | •  |    |    |    |    |    |    |      |    |
|      | FLANGE IMPULSION D14,9 MB412             | 13019203    |      |                                                                                                                                                                                                                                                                                                                                                                                                                                                                                                                                                                                                                                                                                                                                                                                                                                                                                                                                                                                               |   |   |   |   |   |   |   |   |    |    | •  | •  |    |    |    |    |    |      |    |
| 4130 | COIL DUN N° 1105 MBVEF407                | 13010083    |      | •                                                                                                                                                                                                                                                                                                                                                                                                                                                                                                                                                                                                                                                                                                                                                                                                                                                                                                                                                                                             | • | • | • | • | • | • | • | • | •  | •  |    |    |    |    |    |    |    |      |    |
|      | COIL DUN N° 1205 MBVEF412                | 13010084    |      |                                                                                                                                                                                                                                                                                                                                                                                                                                                                                                                                                                                                                                                                                                                                                                                                                                                                                                                                                                                               |   |   |   |   |   |   |   |   |    |    | •  | •  |    |    |    |    |    |      |    |
| 4140 | STRAINER D20 /MB..405/407                | 65326948    |      | •                                                                                                                                                                                                                                                                                                                                                                                                                                                                                                                                                                                                                                                                                                                                                                                                                                                                                                                                                                                             | • | • | • | • | • | • | • | • | •  | •  | •  |    |    |    |    |    |    |      |    |
|      | STRAINER D30 / MB..410/412               | 65327438    |      |                                                                                                                                                                                                                                                                                                                                                                                                                                                                                                                                                                                                                                                                                                                                                                                                                                                                                                                                                                                               |   |   |   |   |   |   |   |   |    |    | •  | •  |    |    |    |    |    |      |    |
| 4150 | DIAPHRAGM / GAS ELBOW D29/15X2,5         | 13019198    |      | •                                                                                                                                                                                                                                                                                                                                                                                                                                                                                                                                                                                                                                                                                                                                                                                                                                                                                                                                                                                             | • | • | • | • | • | • | • | • | •  | •  | •  | •  |    |    |    |    |    |      |    |
| 4160 | SET CONNECTORS + TUBES                   | 65300673    |      | •                                                                                                                                                                                                                                                                                                                                                                                                                                                                                                                                                                                                                                                                                                                                                                                                                                                                                                                                                                                             | • | • | • | • | • | • | • | • | •  | •  | •  | •  |    |    |    |    |    |      |    |
| 4200 | O-RING KIT D34,5X3,5+D30X3/MBVEF407 IMP. | 13019200    |      | •                                                                                                                                                                                                                                                                                                                                                                                                                                                                                                                                                                                                                                                                                                                                                                                                                                                                                                                                                                                             | • | • | • | • | • | • | • | • | •  | •  |    |    |    |    |    |    |    |      |    |
|      | O-RING KIT D34,5X3,5+D30X3/MBVEF412 IMP. | 13019201    |      |                                                                                                                                                                                                                                                                                                                                                                                                                                                                                                                                                                                                                                                                                                                                                                                                                                                                                                                                                                                               |   |   |   |   |   |   |   |   |    |    | •  | •  |    |    |    |    |    |      |    |
| 4300 | FLANGE MB405/407 RP3/4 +O-RING           | 13010074    |      | •                                                                                                                                                                                                                                                                                                                                                                                                                                                                                                                                                                                                                                                                                                                                                                                                                                                                                                                                                                                             | • | • | • | • | • | • | • | • | •  | •  |    |    |    |    |    |    |    |      |    |
|      | FLANGE MB410/412 RP1 1/4                 | 13010085    |      |                                                                                                                                                                                                                                                                                                                                                                                                                                                                                                                                                                                                                                                                                                                                                                                                                                                                                                                                                                                               |   |   |   |   |   |   |   |   |    |    | •  | •  |    |    |    |    |    |      |    |

CB-VG2 DP E

Gas burners

|      |          | DE<br>NL                                                                             | FR<br>ES                                                                             | IT                                       | X |
|------|----------|--------------------------------------------------------------------------------------|--------------------------------------------------------------------------------------|------------------------------------------|---|
| 1010 | 13017369 | ISOLIERUNG 220x158 LUFTKASTEN<br>ISOLATIE LUCHTKAST                                  | ISOLATION BOITE A AIR<br>AISLAMIENTO CAJA DE AIRE                                    | ISOLAMENTO SCATOLA DELL'ARIA             | 1 |
| 1015 | 13022109 | FLANSCH 82X62X30 D27 GASROHR + O-RING<br>FLENS 82X62X30 D27 GASBUIS + O-RING         | BRIDE 82X62X30 D27 TUBE GAZ + O-RING<br>BRIDA 82X62X30 D27 TUBERIA GAS + O-RING      | FLANGIA 82X62X30 D27 TUBO GAS + O-RING   | 1 |
| 1016 | 13022908 | O-RING 4137 D34,52X3,53 NBR<br>O-RING 4137 D34,52X3,53 NBR                           | O-RING 4137 D34,52X3,53 NBR<br>O-RING 4137 D34,52X3,53 NBR                           | O-RING 4137 D34,52X3,53 NBR              | 1 |
| 1017 | 13018089 | O-RING D30X3<br>O-RING D30X3                                                         | O-RING D30X3<br>O-RING D30X3                                                         | O-RING D30X3                             | 1 |
| 1020 | 13017363 | ANSAUGLUFTFUEHRUNG 109/102X60 78°(WEISS)<br>LUCHTGELEIDING 109/102X60 78° (WIT)      | RECYCLAGE AIR 109/102X60 78° (BLANC)<br>RECICLAJE DE AIRE 109/102X60 78°(BLANCO)     | CONVOGLIATO. ARIA 109/102X60 78°(BIANCO) | 1 |
|      | 13017364 | ANSAUGLUFTFUEHR. 119/114X60 78°(SCHWARZ)<br>LUCHTGELEIDING 119/114X60 78° (ZWART)    | RECYCLAGE AIR 119/114X60 78° (NOIR)<br>RECICLAJE DE AIRE 119/114X60 78° (NEGRO)      | CONVOGLIATORE ARIA 119/114X60 78° (NERO) | 1 |
| 1030 | 13009663 | ZUENDTRAFO EBI 2X7,5 230V<br>ONTSTEKINGSTRAFO EBI 2X7,5 230V                         | ALLUMEUR EBI 2X7,5 230V<br>ENCENDEDOR EBI 2X7,5 230V                                 | TRASFO. ACC. EBI 2X7,5 230V+PRESA TERRA  | 1 |
|      | 65300715 | ZUENDTRAFO EBI 1X11 230V<br>ONTSTEKINGSTRAFO EBI 1X11 230V                           | ALLUMEUR EBI 1X11 230V+PRISE TERRE<br>ENCENDEDOR EBI 1X11 230V                       | TRASFO. ACC. EBI 1X11 230V+PRESA TERRA   | 1 |
| 1040 | 13010058 | TUELLE KABEL SCHWARZ D2,3/9<br>DRAADDOORVOER ZWART D2,3/9                            | PASSE-CABLE D2,3/9 PLASTIQUE NOIR<br>PASACABLE NEGRO D2,3/9                          | PASSACAVO NERO D2,3/9                    | 1 |
| 1041 | 13021960 | GAS DECKPLATTE 61X60 D7,5+2XD9 SKALA L52<br>AFDEKPLAAT GAS 61X60 D7,5+2XD9 GRAD.L52  | PLAQUET.TAB.GAZ 61X60 D7,5+2XD9 GRAD.L52<br>PLACA PANEL GAS 61X60 D7,5+2XD9 GRAD.L52 | PIASTRINA GAS 61X60 D7,5+2XD9 GRAD.L52   | 1 |
| 1042 | 13015502 | LUFTDRUCKNIPPEL<br>DRUKMEETAANSLUITING                                               | PRISE DE PRESSION D'AIR<br>TOMA DE PRESIÓN                                           | PRESA DI PRESSIONE                       | 1 |
| 1043 | 13007808 | TUELLE KABEL D5/9 (2 STÜCKE) SCHWARZ<br>DRAADDOORVOER D5/9 (2 STUKKEN) ZWART         | PASSE-CABLE NOIR D 5/9 (2 PIECES)<br>PASSACABLE D5/9 (2 PIEZAS) NEGRO                | PASSA CAVO NERO D5/9 (2 PEZZI)           | 1 |
| 1044 | 13021961 | CU-ROHR D6+FLANSCH F.LUFTMES<br>BUIS D.6+FLENS VOOR METING VAN DE LUCHT              | TUBE D.6+BRIDE POUR MESURE D'AIR<br>TUBO D.6+ BRIDA PARA MEDICIÓN DE AIRE            | TUBO D.6+ FLANGIA DI MISURA PER L'ARIA   | 1 |
| 1050 | 13018138 | LUFTKLAPPEN BG<br>LUCHTKLEP COMPLEET                                                 | VOLET D'AIR<br>VÁLVULA DE AIRE                                                       | SERRANDA DELL'ARIA                       | 1 |
| 1060 | 65300527 | STELLANTR. STE4,5 B0.37/6-R M.KABEL L600<br>REGELMOTOR STE 4,5 B0.37/6-R +KABEL L600 | SERVOMOTEUR STE4,5 B0.37/6-R +CABLE L600<br>SERVOMOTOR STE 4,5 B037/6 R+CABLE L600   | SERVOMOTORE STE 4,5 B0.37/6-R +CAVO L600 | 1 |
| 1070 | 13010012 | VENTILATORRAD D146X52 d12,7<br>VENTILATORWIEL D146X52 d12,7                          | TURBINE D146 X52 D12,7<br>TURBINA D146X52 d12,7                                      | VENTOLA D146 X52 d12,7                   | 1 |
|      | 13010095 | VENTILATORRAD D160X52 D12,7<br>VENTILATORWIEL D160X52 D12,7                          | TURBINE D160X52 D12,7<br>TURBINA D160X52 D12,7                                       | VENTOLA D160X52 D12,7                    | 1 |
| 1110 | 65300723 | BRENNERHAUBE VECTRON2+SCHRAUBE<br>BRANDERKAP V-L /G2 + BEV.SCHROEF                   | CAPOT VECTRON2+VIS<br>CUBIERTA VECTRON2+TORNILLO DE FIJACIÓN                         | COFANO VECTRON2+VITE DI FISSAGGIO        | 1 |
| 1120 | 65300519 | FLACHKOPF-SCHRAUBE M5X15+SPITZE<br>PLOTKOPFSCHROEF M5X15                             | VIS A TETE PLATE M5X15<br>TORNILLO DE CABEZA PLANA M5X15                             | VITE A TESTA PIANA M5X15                 | 1 |
| 1130 | 13013352 | WINKELVERSCHRAUBUNG POLYAMIDE 1/8-D.4<br>AANSLUITING GEBOGEN POLYAMIDE 1/8 -D.4      | RACCORD COUDE POLYAMIDE 1/8-D.4<br>RACOR ACODADO POLYAMIDE 1/8 -D.4                  | RACCORDO GOMITO POLYAMIDE 1/8 -D.4       | 1 |
| 1140 | 13015497 | SCHLAUCH ID4/7X500 SILIKON TRANSPARENT<br>SLANG D4/7 L500 SILIKON                    | TUYAU D4/7 L500 SILICONE<br>MANGUERA D4/7 L500 SILICONA                              | TUBETTO D4/7 L500 SILICONE               | 1 |
| 1160 | 13010014 | MOTOR 0,13KW230V D12,7<br>BRANDERMOTOR 0,13KW 230V D12,7                             | MOTEUR 0,13KW 230V D12,7<br>MOTOR 0,13KW230V D12,7                                   | MOTORE 0,13KW230V D12,7                  | 1 |
|      | 65327089 | MOTOR 0,1KW 230V D12,7+BOHRUNGEN<br>MOTOR 0,1KW 230V D12,7 GEBOORD                   | MOTEUR 0,1KW 230V D12,7+PERCAGES<br>MOTOR 0,1KW 230V D12,7 PERFORADO                 | MOTORE 0,1KW 230V D12,7 FORATO           | 1 |
| 1165 | 65300577 | KONDENSATOR 8µF 2P 3mm<br>CONDENSATOR 8µF 2P 3mm                                     | CONDENSATEUR 8µF 2P 3mm<br>CONDENSADOR 8µF 2P 3mm                                    | CONDENSATORE 8µF 2P 3mm                  | 1 |
|      | 65325038 | KONDENSATOR 5µF 2P 3mm<br>CONDENSATOR 5µF 2P 3mm                                     | CONDENSATEUR 5µF 2P 3mm<br>CONDENSADOR 5µF 2P 3mm                                    | CONDENSATORE 5µF 2P 3mm                  | 1 |
| 1170 | 13020723 | HALTER D32 LUFTDRUCKWAECHTER HUB<br>LUCHTDRUKSCHAKELAAR STEUN D32                    | SUPPORT MANOSTAT AIR D32<br>SOPORTE DEL MANOSTATO DE AIRE D32                        | SUPPORTO PRESSOSTATO DELL'ARIA D32       | 1 |
| 1180 | 13020502 | LUFTDRUCKWAECHTER 604.91 0,5-5MB+RAST<br>LUCHTDRUKSCHAKELAAR 604.91 0,5-5MB+RAST     | MANOSTAT AIR 604.91 0,5-5MB+RAST<br>PRESOSTATO AIRE 604.91 0,5-5MB+RAST              | PRESSOSTATO ARIA 604.91 0,5-5MB+RAST     | 1 |
| 1190 | 65327445 | DICHTUNG D2,3 L350 EPDM GESCHÄUMT<br>SEALSCHUIM EPDM D2,3 L350                       | JOINT EN MOUSSE EPDM D2,3 L350<br>JUNTA DE ESPUMA EPDM D2,3 L350                     | GUARNIZIONE D2,3 L350 IN EPDM ESPANSO    | 1 |
| 1510 | 65300158 | IONISATIONS KABEL MC4/RAST1P L350<br>IONISATIEKABEL MC4/RAST1P L350                  | CABLE IONISATION MC4/RAST1P L350<br>CABLE IONIZACION MC4/RAST1P L350                 | CAVO RIVELAZIONE MC4/RAST1P L350         | 1 |
| 1530 | 65301021 | FEUERUNGSAUTOMAT TCG 511.00<br>BRANDERAUTOMAAT TCG 511.00                            | COFFRET TCG 511.00<br>PROGRAMADOR TCG 511.00                                         | APPARECCHIATURA TCG 511.00               | 1 |
| 1540 | 65300727 | HALTER Z.FEUERUNGS A.U.ANZEIGE<br>STEUN VAN DE AUTOMAAT +DISPLAY                     | SUPPORT COFFRET+AFFICHEUR<br>SOPORTE DEL CAJETÍN+PANTALLA                            | SUPPORTO PROGRAMM.+VISUALIZZ.            | 1 |
| 1550 | 65301109 | ANZEIGE/FEUERUNGS A.U.TCG-TCH R.2.2 + KABEL<br>AANWIJS EN BEDIENENHEID TCG/TCH R.2.2 | AFFICHEUR/COFFRET TCG-TCH REL. 2.2<br>PANTALLA P. PROGRAMADOR TCG-TCH REL.2.2        | DISPLAY PER APPARECCHIA.TCG-TCH REL.2.2  | 1 |
| 1560 | 65300531 | KABEL+STECKER WIE. 4P/RAST3P L250<br>KABEL+STEKKER WIE. 4P/RAST3P L250               | CABLE+PRISE WIE. 4P/RAST3P L250<br>CABLE+TOMA WIE. 4P/RAST3P L250                    | CAVO+PRESA WIE. 4P/RAST 3P L250          | 1 |
| 1570 | 65300648 | KABEL GASVENTIL.+STCK DIN/RAST5P L1500AGP<br>KABEL GASKLEP+STCKDIN/RAST5P L1500 AGP  | CABLE VANNE GAZ+PRI.DIN/RAST5P L1500 AGP<br>CABLE VALVULA GAS+TO.DIN/RAST5P L1500AGP | CAVO VALVOLA GAS+PRE.DIN/RAST5P L1500AGP | 1 |
| 1580 | 13023698 | KABEL GDW.+STECKER DIN/RAST2P L1500<br>G.DRUKSCHAKEL.KABEL+STCKDIN/RAST2P L1500      | CABLE MANO GAZ+PRISE DIN/RAST2P L1500<br>CABLE PRESOST.AIRE+TOMA DIN/RAST2P L1500    | CAVO PRESSOST.GAS+PRESA DIN/RAST2P L1500 | 1 |
| 1590 | 65300619 | KABEL ZÜNDTRAFO+STCK 2P/RAST2P L350<br>ONTSTEKINGSTRAFOKAB.+STEK.2P/RAST2P L350      | CABLE ALLUMEUR+PRISE 2P/RAST2P L350<br>CABLE ENCENDEDOR+TOMA 2P/RAST2P L350          | CAVO TRASFO ACCENS.+PRESA 2P/RAST2P L350 | 1 |

|      |          | DE                                                                               | FR                                                                                  | IT                                       |   |
|------|----------|----------------------------------------------------------------------------------|-------------------------------------------------------------------------------------|------------------------------------------|---|
|      |          | NL                                                                               | ES                                                                                  |                                          |   |
| 1600 | 13010519 | KABEL MOTOR+STECKER 3P/RAST3P L300<br>KABEL MOTOR+STCK3P/RAST3P L300             | CABLE MOTEUR+PRISE 3P/RAST3P L300<br>CABLE MOTOR+TOMA 3P/RAST3P L300                | CAVO MOTORE+PRESA 3P/RAST3P L300         | 1 |
| 2110 | 13019123 | STAUSCHEIBE D74,5/24,5 8SL R +DIFF. D50<br>STUWPLAAT D74,5/24,5 8SL R +DIFF. D50 | DEFLECTEUR D74,5/24,5 8SL R +DIFF. D50<br>DEFLECTOR D74,5/24,5 8SL R +DIFF. D50     | DIFFUSORE D74,5/24,5 8SL R +DIFF. D50    | 1 |
|      | 65300547 | STAUSCHEIBE D89/30 6SL DOPPELELEKTRODE<br>STUWPLAAT D89/30 6SL DUBBELE ELEKTRODE | DEFLECTEUR D89/30 6SL ELECT.DOUBLE<br>DEFLECTOR D89/30 6SL ELECTRODO DOBLE          | DIFFUSORE D89/30 6SL DOPPIO ELETTRODO    | 1 |
|      | 65327447 | STAUSCHEIBE D95/25 8SL + DÜSE D24.5<br>STUWPLAAT D95/25 8SL + NOZZLE D24.5       | DEFLECTEUR D95/25 8SL + DIFFUSEUR D24.5<br>DEFLECTOR D95/25 8SL + DIFUSOR D24.5     | DIFFUSORE D95/25 8SL + INIETTORE D24.5   | 1 |
| 2130 | 65105897 | ZUENDELEKTRODE D8X61d4/6,4D3X17,5 130°<br>ONTSTEKINGSPEN D8X61d4/6,4D3X17,5 130° | ELECTRODE ALLUM.D8X61d4/6,4D3X17,5 130°<br>ELECTRODO ENCEND.D8X61d4/6,4D3X17,5 130° | ELETTRODO ACCEN.D8X61d4/6,4D3X17,5 130°  | 1 |
|      | 65300738 | ZUENDELEKTRODENBLOK 12X46 D4 D1,2X10<br>ELEKTRODENBLOK 12X46 D4 D1,2X10          | BLOC-ELECTRODES 12X46 D4 D1,2X10<br>BLOQUE ELECTRODOS 12X46 D4 D1,2X10              | BLOCCO ELETTRODI 12X46 D4 D1,2X10        | 1 |
| 2140 | 13019125 | FLUSSIGE VERSCHLUSS D57<br>SLUITER LPG D57                                       | OBTURATEUR GAZ GPL D57<br>OBTURADOR GPL D57                                         | OTTURATORE GAS GPL D57                   | 1 |
|      | 65108669 | STOPFEN GASKOPFAUFSATZ 55X55X8 4 SL.6MM<br>STOP GASKOP 55X55X8 4 SLOT 6MM        | CALOTTE TETE GAZ 55X55X8 4 FENTES 6MM<br>TAPÓN CABEZA GAS 55X55X8 4 SLOT 6MM        | TAPPO TESTA GAS 55X55X8 4 SLOT 6MM       | 1 |
|      | 65321616 | STOPF.GASKOPFAUFSATZ 55X55X8 4SL.3,5 LPG<br>STOP GASKOP 55X55X8 4 SL.3,5MM LPG   | CALOTTE TETE GAZ 55X55X8 4 F.3,5MM GPL<br>TAPÓN CABEZA GAS 55X55X8 4 SL.3,5MM GPL   | TAPPO TESTA GAS 55X55X8 4 SL.3,5MM GPL   | 1 |
| 2150 | 13018033 | SCHUBSTANGE D6 L288 M6/D4,8<br>STELSTANG D6 L288 M6/D4,8                         | TIGE REGLAGE D6 L288 M6/D4,8<br>VARILLA AJUSTE D6 L288 M6/D4,8                      | ASTA REGOLAZIONE D6 L288 M6/D4,8         | 1 |
|      | 13018034 | SCHUBSTANGE D6 L407 M6/D4,8<br>STELSTANG D6 L407 M6/D4,8                         | TIGE REGLAGE D6 L407 M6/D4,8<br>VARILLA AJUSTE D6 L407 M6/D4,8                      | ASTA REGOLAZIONE D6 L407 M6/D4,8         | 1 |
|      | 13022192 | SCHUBSTANGE D6 L257 M6/D5<br>STELSTANG D6 L257 M6/D5                             | TIGE REGLAGE D6 L257 M6/D5<br>VARILLA AJUSTE D6 L257 M6/D5                          | ASTA REGOLAZIONE D6 L257 M6/D5           | 1 |
|      | 13022193 | SCHUBSTANGE D6 L377 M6/D5<br>STELSTANG D6 L377 M6/D5                             | TIGE REGLAGE D6 L377 M6/D5<br>VARILLA AJUSTE D6 L377 M6/D5                          | ASTA REGOLAZIONE D6 L377 M6/D5           | 1 |
|      | 65327461 | SCHUBSTANGE D6 L253 M6/D4,8<br>STELSTANG D6 L253 M6/D4,8                         | TIGE REGLAGE D6 L253 M6/D4,8<br>VARILLA AJUSTE D6 L253 M6/D4,8                      | ASTA REGOLAZIONE D6 L253 M6/D4,8         | 1 |
|      | 65327467 | SCHUBSTANGE D6 L373 M6/D4,8<br>STELSTANG D6 L373 M6/D4,8                         | TIGE REGLAGE D6 L373 M6/D4,8<br>VARILLA AJUSTE D6 L373 M6/D4,8                      | ASTA REGOLAZIONE D6 L373 M6/D4,8         | 1 |
| 2160 | 13010023 | GASKOPF L102 D93/30 6 BRANCH.<br>GASKOP L102 D93/30 6 BRANCH.                    | TETE GAZ L102 D93/30 6 BRANCHES<br>CABEZA GAS L102 D93/30 6 BRANCH.                 | TESTA GAS L102 D93/30 6 BRANCH.          | 1 |
|      | 13010532 | GASKOPF L67 D72/22 +O-RING 4 BRANCH.<br>GASKOP L67 D72/22 +O-RING 4 BRANCH.      | TETE GAZ L67 D72/22 +O-RING 4 BRANCHES<br>CABEZA GAS L67 D72/22 +O-RING 4 BRANCH.   | TESTA GAS L67 D72/22 +O-RING 4 BRANCH.   | 1 |
|      | 65327464 | GASKOPF D55/30 4 BRANCH.<br>GASKOP D55/30 4 BRANCH.                              | TETE GAZ D55/30 4 BRANCH.<br>CABEZA GAS D55/30 4 BRANCH.                            | TESTA GAS D55/30 4 BRANCH.               | 1 |
| 2170 | 13010529 | IONISATIONSSONDE D8X80 D4 D2X27 80° F+S<br>IONISATIEPEN D8X80 D4 D2X27 80° F+S   | SONDE IONISATION D8X80 D4 D2X27 80° F+S<br>SONDA IONIZACION D8X80 D4 D2X27 80° F+S  | SONDA RIVELAZIONE D8X80 D4 D2X27 80° F+S | 1 |
|      | 65111742 | IONISATIONSSONDE D8X61 d4/6,4 D3X30<br>IONISATIEPEN D8X61 d4/6,4 D3X30           | SONDE IONISATION D8X61 d4/6,4 D3X30<br>SONDA IONIZACION D8X61 d4/6,4 D3X30          | SONDA RIVELAZIONE D8X61 d4/6,4 D3X30     | 1 |
| 2180 | 13013524 | ZUENDKABEL D4/D4 L365 AP (X1)<br>ONTSTEKINGSKABEL D4/D4 L365 AP (X1)             | CABLE ALLUMAGE D4/D4 L365 AP (X1)<br>CABLE ENCENDIDO D4/D4 L365 AP (X1)             | CAVO ACCENSIONE D4/D4 L365 AP (X1)       | 1 |
|      | 13014990 | ZUENDKABEL D4/D4 L510 AP (X1)<br>ONTSTEKINGSKABEL D4/D4 L510 AP (X1)             | CABLE ALLUMAGE D4/D4 L510 AP (X1)<br>CABLE ENCENDIDO D4/D4 L510 AP (X1)             | CAVO ACCENSIONE D4/D4 L510 AP (X1)       | 1 |
|      | 65327462 | ZUENDKABEL D5 L365 CARBON<br>ONTSTEKINGSKABEL D5 L365 CARBON                     | CABLE ALLUMAGE CARBONE D5 L365<br>CABLE ENCENDIDO D5 L365 CARBON                    | CAVO ACCENSIONE D5 L365 CARBON           | 1 |
|      | 65327468 | ZUENDKABEL D5 L510 CARBON<br>ONTSTEKINGSKABEL D5 L510 CARBON                     | CABLE ALLUMAGE CARBONE D5 L510<br>CABLE ENCENDIDO D5 L510 CARBON                    | CAVO ACCENSIONE D5 L510 CARBON           | 1 |
| 2190 | 13013525 | IONISATIONSKABEL D4 BAN/D4 L350<br>IONISATIEKABEL D4 BAN/D4 L350                 | CABLE IONISATION D4 BAN/D4 L350<br>CABLE IONIZACION D4 BAN/D4 L350                  | CAVO RIVELAZIONE D4 BAN/D4 L350          | 1 |
|      | 13015121 | IONISATIONSKABEL MC4/D4 L650<br>IONISATIEKABEL MC4/D4 L650                       | CABLE IONISATION MC4/D4 L650<br>CABLE IONIZACION C4/D4 L650                         | CAVO RIVELAZIONE MC4/D4 L650             | 1 |
| 2200 | 13018027 | GASBOGEN+ROHR D22X215 T1/KN<br>GASTOEVOERBUIS+BOCHT D22X215 T1/KN                | TUBE D'AMENEE GAZ+COUDE D22X215 T1/KN<br>TUBO CONDUCCIÓN GAS+CODO D22X215 T1/KN     | TUBO ADDUZIONE GAS+GOMITO D22X215 T1/KN  | 1 |
|      | 13018028 | GASBOGEN+ROHR D22X335 T2/KL<br>GASTOEVOERBUIS+BOCHT D22X335 T2/KL                | TUBE D'AMENEE GAZ+COUDE D22X335 T2/KL<br>TUBO CONDUCCIÓN GAS+CODO D22X335 T2/KL     | TUBO ADDUZIONE GAS+GOMITO D22X335 T2/KL  | 1 |
|      | 13020258 | GASBOGEN+ROHR D30X331 T2/KL<br>GASTOEVOERBUIS+BOCHT D30X331 T2/KL                | TUBE D'AMENEE GAZ+COUDE D30X331 T2/KL<br>TUBO CONDUCCIÓN GAS+CODO D30X331 T2/KL     | TUBO ADDUZIONE GAS+GOMITO D30X331 T2/KL  | 1 |
|      | 13021643 | GASBOGEN+ROHR D30X211 T1/KN<br>GASTOEVOERBUIS+BOCHT D30X211 T1/KN                | TUBE D'AMENEE GAZ+COUDE D30X211 T1/KN<br>TUBO CONDUCCIÓN GAS+CODO D30X211 T1/KN     | TUBO ADDUZIONE GAS+GOMITO D30X211 T1/KN  | 1 |
|      | 65327460 | GASBOGEN+ROHR L185<br>GASTOEVOERBUIS+BOCHT L185                                  | TUBE D'AMENEE GAZ+COUDE L185<br>TUBO CONDUCCIÓN GAS+CODO L185                       | TUBO ADDUZ. GAS+GOMITO L185              | 1 |
|      | 65327466 | GASBOGEN+ROHR L331<br>GASTOEVOERBUIS+BOCHT L331                                  | TUBE D'AMENEE GAZ+COUDE L331<br>TUBO CONDUCCIÓN GAS+CODO L331                       | TUBO ADDUZ. GAS+GOMITO L331              | 1 |
| 2210 | 13018089 | O-RING D30X3<br>O-RING D30X3                                                     | O-RING D30X3<br>O-RING D30X3                                                        | O-RING D30X3                             | 1 |
| 2250 | 13021993 | BRENNERROHR D115/78 L230 AGP<br>BRANDERBUIS D115/78 L230 AGP                     | TUBE DE FLAMME D115/78 L230 AGP<br>TUBO DE LLAMA D115/78 L230 AGP                   | BOCCAGLIO D115/78 L230 AGP               | 1 |
|      | 13021994 | BRENNERROHR D115/78 L350 AGP<br>BRANDERBUIS D115/78 L350 AGP                     | TUBE DE FLAMME D115/78 L350 AGP<br>TUBO DE LLAMA D115/78 L350 AGP                   | BOCCAGLIO D115/78 L350 AGP               | 1 |
|      | 65327484 | FLAMMENROHR D115/90/90X230 AGP<br>BRANDERBUIS D115/90/90X230 AGP                 | TUBE DE FLAMME D115/90/90X230 AGP<br>TUBO DE LLAMA D115/90/90X230 AGP               | BOCCAGLIO D115/90/90X230 AGP             | 1 |

|      |  |       |           |  |  |  |
|------|-----------------------------------------------------------------------------------|----------------------------------------------------------------------------------------|--------------------------------------------------------------------------------------------|-----------------------------------------------------------------------------------|-------------------------------------------------------------------------------------|-------------------------------------------------------------------------------------|
|      |                                                                                   | DE<br>NL                                                                               | FR<br>ES                                                                                   |                                                                                   | IT                                                                                  |                                                                                     |
|      | 65327485                                                                          | FLAMMENROHR D115/90/90X350 AGP<br>BRANDERBUIJS D115/90/90X350 AGP                      | TUBE DE FLAMME D115/90/90X350 AGP<br>TUBO DE LLAMA D115/90/90X350 AGP                      |                                                                                   | BOCCAGLIO D115/90/90X350 AGP                                                        | 1                                                                                   |
|      | 65327486                                                                          | FLAMMENROHR D115/125/85X230 AGP<br>BRANDERBUIJS D115/125/85X230 AGP                    | TUBE DE FLAMME D115/125/85X230 AGP<br>TUBO DE LLAMA D115/125/85X230 AGP                    |                                                                                   | BOCCAGLIO D115/125/85X230 AGP                                                       | 1                                                                                   |
|      | 65327487                                                                          | FLAMMENROHR D115/125/85X350 AGP<br>BRANDERBUIJS D115/125/85X350 AGP                    | TUBE DE FLAMME D115/125/85X350 AGP<br>TUBO DE LLAMA D115/125/85X350 AGP                    |                                                                                   | BOCCAGLIO D115/125/85X350 AGP                                                       | 1                                                                                   |
| 2260 | 13018134                                                                          | KESSELZUBEHOER D115 EUROFLANSCH<br>BEVESTIGINGSSET KETEL D115 EUROFLENS                | ACCESSOIRE CHAUDIERE D115 EUROBRIDE<br>ACCESORIO CALDERA D115 EUROBRIDA                    |                                                                                   | ACCESSORIO CALDAIA D115 EUROFLANGIA                                                 | 1                                                                                   |
|      | 65327457                                                                          | ANSCHLUSSFLANSCH BG D125<br>BEVESTIGINGSSET KETEL D125 EUROFLENS                       | ACCESSOIRE CHAUDIERE D125 EUROBRIDE<br>ACCESORIO CALDERA D125 EUROBRIDA                    |                                                                                   | ACCESSORIO CALDAIA D125 EUROFLANGIA                                                 | 1                                                                                   |
| 2261 | 13018135                                                                          | DICHTUNG/BRENNERFLANSCH 176X176X8 D115<br>PAKKING MONTAGEFL. 176X176X8 D115            | JOINT/BRIDE BRULEUR 176X176X8 D115<br>JUNTA/BRIDA QUEMADOR 176X176X8 D115                  |                                                                                   | GUARNIZIONE/FLANGIA BRUC. 176X176X8 D115                                            | 1                                                                                   |
|      | 65327458                                                                          | DICHTUNG/BRENNERFLANSCH 176X176X8 D125<br>PAKKING MONTAGEFLENS 176X176X8 D125          | JOINT/BRIDE BRULEUR 176X176X8 D125<br>JUNTA/BRIDA QUEMADOR 176X176X8 D125                  |                                                                                   | GUARNIZIONE/FLANGIA BRUC. 176X176X8 D125                                            | 1                                                                                   |
| 2262 | 13020517                                                                          | DICHTSCHNUR D115X5X5-377<br>PAKKING/GEVLOCHTE D115X5X5-377                             | JOINT/TRESSE D115X5X5-377<br>JUNTA/TRENZADA D115X5X5-377                                   |                                                                                   | GUARNIZIONE/TRECCIA D115X5X5-377                                                    | 1                                                                                   |
|      | 65327463                                                                          | DICHTSCHNUR D125X5X5-412<br>PAKKING/GEVLOCHTE D125X5X5-412                             | JOINT/TRESSE D125X5X5-412<br>JUNTA/TRENZADA D125X5X5-412                                   |                                                                                   | GUARNIZIONE/TRECCIA D125X5X5-412                                                    | 1                                                                                   |
| 4005 | 13018098                                                                          | GASANSCHLUSSROHR MB-DLE 407/MB-DLE 412<br>GASAANSLUITBUIJS COMPLEET                    | COLLECTEUR CPL.<br>COLECTOR ACPL.                                                          |                                                                                   | COLLETTORE ACC.                                                                     | 1                                                                                   |
|      | 13018623                                                                          | GASANSCHLUSSROHR MB-DLE 412/MB-ZRDLE 412<br>GASAANSLUITBUIJS COMPLEET                  | COLLECTEUR CPL.<br>COLECTOR ACPL.                                                          |                                                                                   | COLLETTORE ACC.                                                                     | 1                                                                                   |
| 4020 | 13009722                                                                          | MESSNIPPEL GERADE R1/8Z-VERPACKT<br>DRUKAANSLUITING R1/8                               | PRISE PRESSION R1/8<br>TOMA PRESIÓN R1/8                                                   |                                                                                   | PRESA PRESSIONE R1/8                                                                | 1                                                                                   |
| 4100 | 13020611                                                                          | GASVENTIL MBVEF407 B01 S30 RP3/4 IMPULS.<br>GASKLEP MBVEF407 B01 S30 RP3/4 IMPULS.     | VANNE GAZ MBVEF407 B01 S30 RP3/4 IMPULS.<br>VALVULA GAS MBVEF407 B01 S30 RP3/4 IMPULS.     |                                                                                   | VALVOLA GAS MBVEF407 B01 S30 RP3/4 IMPULS.                                          | 1                                                                                   |
|      | 13020612                                                                          | GASVENTIL MBVEF407 B01 S10 RP3/4 IMPULS.<br>GASKLEP MBVEF407 B01 S10 RP3/4 IMPULS.     | VANNE GAZ MBVEF407 B01 S10 RP3/4 IMPULS.<br>VALVULA GAS MBVEF407 B01 S10 RP3/4 IMPULS.     |                                                                                   | VALVOLA GAS MBVEF407 B01 S10 RP3/4 IMPULS.                                          | 1                                                                                   |
|      | 13020613                                                                          | GASVENTIL MBVEF412 B01 S10 RP1 1/4 IMPULS.<br>GASKLEP MBVEF412 B01 S10 RP1 1/4 IMPULS. | VANNE GAZ MBVEF412 B01 S10 RP1 1/4 IMPULS.<br>VALVULA GAS MBVEF412 B01 S10 RP1 1/4 IMPULS. |                                                                                   | VALVOLA GAS MBVEF412 B01 S10 RP1 1/4 IMPULS.                                        | 1                                                                                   |
| 4110 | 13010078                                                                          | GASDRUCKWACHTER GW 150 A5 5-150MB<br>GASDRUKSCHAKELAAR GW 150 A5 5-150MB               | MANOSTAT GAZ GW 150 A5 5-150MB<br>PRESOSTATO GAS GW 150 A5 5-150MB                         |                                                                                   | PRESSOSTATO GAS GW 150 A5 5-150MB                                                   | 1                                                                                   |
| 4120 | 13019202                                                                          | FLANSCH IMPULSION D14,9 MB407<br>FLENS IMPULSION D14,9 MB407                           | BRIDE IMPULSION D14,9 MB407<br>BRIDA IMPULSION D14,9 MB407                                 |                                                                                   | FLANGIA IMPULSION D14,9 MB407                                                       | 1                                                                                   |
|      | 13019203                                                                          | FLANSCH IMPULSION D14,9 MB412<br>FLENS IMPULSION D14,9 MB412                           | BRIDE IMPULSION D14,9 MB412<br>BRIDA IMPULSION D14,9 MB412                                 |                                                                                   | FLANGIA IMPULSION D14,9 MB412                                                       | 1                                                                                   |
| 4130 | 13010083                                                                          | SPULE DUN N° 1105 MBVEF407<br>SPOEL DUN N° 1105 MBVEF407                               | BOBINE DUN N° 1105 MBVEF407<br>BOBINA DUN N° 1105 MBVEF407                                 |                                                                                   | BOBINA DUN N° 1105 MBVEF407                                                         | 1                                                                                   |
|      | 13010084                                                                          | SPULE DUN N° 1205 MBVEF412<br>SPOEL DUN N° 1205 MBVEF412                               | BOBINE DUN N° 1205 MBVEF412<br>BOBINA DUN N° 1205 MBVEF412                                 |                                                                                   | BOBINA DUN N° 1205 MBVEF412                                                         | 1                                                                                   |
| 4140 | 65326948                                                                          | FILTEREINSATZ D20 /MB..405/407<br>FILTERELEMENT D20 /MB..405/407                       | ELEMENT FILTRANT D20 /MB..405/407<br>ELEMENTO FILTRANTE D20 /MB..405/407                   |                                                                                   | ELEMENTO FILTRANTE D20 /MB..405/407                                                 | 1                                                                                   |
|      | 65327438                                                                          | FILTEREINSATZ D30 / MB..410/412<br>FILTERELEMENT D30 / MB..410/412                     | ELEMENT FILTRANT D30 / MB..410/412<br>ELEMENTO FILTRANTE D30 / MB..410/412                 |                                                                                   | ELEMENTO FILTRANTE D30 / MB..410/412                                                | 1                                                                                   |
| 4150 | 13019198                                                                          | BLLENDE / GASBOGEN D29/15X2,5<br>MIDDENRIF/ELLEBOOG D29/15X2,5                         | DIAPHRAGME/COUDE GAZ D29/15X2,5<br>DIAFRAGMA/CODO GAS D29/15/2,5                           |                                                                                   | DIAFRAMMA/GOMITO GAS D29/15X2,5                                                     | 1                                                                                   |
| 4160 | 65300673                                                                          | VERBINDUNGSSET IMPULSLEITUNGEN<br>SET VERBINDING + BUIJS                               | KIT TUBES PRESSION SOUPLES+RACCORDS<br>KIT DE CONEXIÓN + TUBOS                             |                                                                                   | KIT CONNETTORE + TUBI                                                               | 1                                                                                   |
| 4200 | 13019200                                                                          | O-RINGSATZ D34,5X3,5D30X3/MBVEF407 IMP.<br>O-RINGSET D34,5X3,5D30X3/MBVEF407 IMP.      | KIT O-RING D34,5X3,5D30X3/MBVEF407 IMP.<br>KIT O-RING D34,5X3,5D30X3/MBVEF407 IMP.         |                                                                                   | KIT O-RING D34,5X3,5D30X3/MBVEF407 IMP.                                             | 1                                                                                   |
|      | 13019201                                                                          | O-RINGSATZ D34,5X3,5+D30X3/MBVEF412 IMP.<br>O-RINGSET D34,5X3,5+D30X3/MBVEF412 IMP.    | KIT O-RING D34,5X3,5+D30X3/MBVEF412 IMP.<br>KIT O-RING D34,5X3,5+D30X3/MBVEF412 IMP.       |                                                                                   | KIT O-RING D34,5X3,5+D30X3/MBVEF412 IMP.                                            | 1                                                                                   |
| 4300 | 13010074                                                                          | FLANSCH MB405/407 RP3/4 +O-RING<br>FLENS MB405/407 RP3/4 +O-RING                       | BRIDE MB405/407 RP3/4 +O-RING<br>BRIDA MB405/407 RP3/4 +O-RING                             |                                                                                   | FLANGIA MB405/407 RP3/4 +O-RING                                                     | 1                                                                                   |
|      | 13010085                                                                          | FLANSCH MB410/412 RP1 1/4<br>FLENS MB410/412 RP1 1/4                                   | BRIDE MB410/412 RP1 1/4<br>BRIDA MB410/412 RP1 1/4                                         |                                                                                   | FLANGIA MB410/412 RP1 1/4                                                           | 1                                                                                   |

|  |  |      |  |  |  |
|-----------------------------------------------------------------------------------|-----------------------------------------------------------------------------------|---------------------------------------------------------------------------------------|-----------------------------------------------------------------------------------|-------------------------------------------------------------------------------------|-------------------------------------------------------------------------------------|
| 1010                                                                              | 13017369                                                                          | ИЗОЛЯЦИЯ ВОЗДУШНОГО БЛОКА<br>İZOLASYONU HAVA KUTUSU                                   | ISOLAMENTO CAIXA DE ENTRADA DE AR                                                 | IZOLACJA OBUDOWA UKŁADU POWIETRZA                                                   | 1                                                                                   |
| 1015                                                                              | 13022109                                                                          | ФЛАНЕЦ 82X62X30 D27 ТРУБКА ГАЗОВ.+O-RING<br>FLANŞI 82X62X30 D27 TUPLU GAZ + O-RING    | FLANGE 82X62X30 D27 TUBO GAS +O-RING                                              | KOŁNIERZ 82X62X30 D27 BORUSU GAZ.+O-RING                                            | 1                                                                                   |
| 1016                                                                              | 13022908                                                                          | О-КОЛЬЦО 4137 D34,52X3,53 NBR<br>O-RING 4137 D34,52X3,53 NBR                          | O-RING 4137 D34,52X3,53 NBR                                                       | O-RING 4137 D34,52X3,53 NBR                                                         | 1                                                                                   |
| 1017                                                                              | 13018089                                                                          | О-КОЛЬЦО D30X3<br>O-RING D30X3                                                        | O-RING D30X3                                                                      | O-RING D30X3                                                                        | 1                                                                                   |
| 1020                                                                              | 13017363                                                                          | ЗАСЛОН.РЕЦИРК.ВОЗДУХА 109/102X60 (БЕЛЫЙ)<br>HAVA GERI DONUŞUMU 109/102X60 78° (BEYAZ) | RECICLAGEM DE AR 109/102X60 78° (BRANCO)                                          | RECYRKULACJA POWIE.109/102X60 78° (BIAŁY)                                           | 1                                                                                   |
|                                                                                   | 13017364                                                                          | ЗАСЛОН.РЕЦИРК.ВОЗДУХА 119/114X60(ЧЕРНЫЙ)<br>HAVA GERI DONUŞUMU 119/114X60 78° (SIYAH) | RECICLAGEM DE AR 119/114X60 78° (PRETO)                                           | RECYRKUL.POWIETR. 119/114X60 78°(CZARNY)                                            | 1                                                                                   |
| 1030                                                                              | 13009663                                                                          | ТРАНСФО РОЗЖИГА EBI 2X7,5 230V<br>ATEŞLEME TRAFO. EBI 2X7,5 230V                      | TRANSFO IGNIÇÃO EBI 2X7,5 230V                                                    | TRANSFO ZAPŁONOWY EBI 2X7,5 230V                                                    | 1                                                                                   |
|                                                                                   | 65300715                                                                          | ТРАНСФО РОЗЖИГА EBI 1X11 230V<br>ATEŞLEME TRAFO. EBI 1X11 230V+TOPRAK SO.             | TRANSFO IGNIÇÃO EBI 1X11 230V                                                     | TRANSFOZAPŁ.EBI 1X11 230V+UZIEMI.ZŁĄCZE                                             | 1                                                                                   |
| 1040                                                                              | 13010058                                                                          | УПЛОТНЕНИЕ D2,3/9<br>KABLO KANALI D2,3/9                                              | PASACABOS PRETO D2,3/9                                                            | PRZELOTKA PRZEWODU D2,3/9                                                           | 1                                                                                   |
| 1041                                                                              | 13021960                                                                          | ЩИТОК ПАНЕЛИ GAS 61X60 D7,5+2XD9GRAD.L52<br>GOS.PLAKASI GAZU 61X60 D7,5+2XD9GRAD.L52  | PLACA PAINEL GAS 61X60 D7,5+2XD9GRAD.L52                                          | PŁYTA TABLI.GAS 61X60 D7,5+2XD9 GRAD.L52                                            | 1                                                                                   |
| 1042                                                                              | 13015502                                                                          | ОТБОР ДАВЛЕНИЯ<br>BASINÇ GIRIŞI                                                       | TOMADA DE PRESSAO DE AR                                                           | GNIAZDO POMIARU CIŚNIENIA                                                           | 1                                                                                   |
| 1043                                                                              | 13007808                                                                          | УПЛОТНЕНИЕ D5/9 (2 КУСКА) ЧЕРНЫЙ<br>KABLO KANALI D5/9 ATEŞLEME KABL. (2PARCA)         | PASACABOS D5/9 (2 PECAS) PRETO                                                    | PRZELOTKA D5/9 PRZEWÓD ZAPŁON. (2KAWAL.)                                            | 1                                                                                   |
| 1044                                                                              | 13021961                                                                          | ТРУБКА D.6+ФЛАНЕЦ МЕРА ВОЗДУХА<br>BORU D.6+ HAVA OELÇMEK İÇİN FLANŞ                   | TUBO D.6+ FLANGE MEDIÇÃO DE AR                                                    | PRZEWÓD D.6+ KOŁNIERZ DO POMIARU POWIETR                                            | 1                                                                                   |
| 1050                                                                              | 13018138                                                                          | ВОЗДУШНАЯ ЗАСЛОНКА<br>HAVA KLAPESI                                                    | ALETA DE AR                                                                       | PRZEPUSTNICA POWIETRZA                                                              | 1                                                                                   |
| 1060                                                                              | 65300527                                                                          | СЕРВОДВИГАТ. STE 4,5 B0.37/6-R +КАБЕ L600<br>SERVOMOTOR STE 4,5 B0.37/6-R KABLO L600  | SERVOMOTOR STE 4,5 B0.37/6-R +CABO L600                                           | SERWOMOTOR STE 4,5 B0.37/6-R +KABEL L600                                            | 1                                                                                   |
| 1070                                                                              | 13010012                                                                          | РАБОЧЕЕ КОЛЕСО D146X52 d12,7<br>TÜRBİN D146X52 D12,7                                  | TURBINA D146X52 d12,7                                                             | WIMIK D146X52 D12,7                                                                 | 1                                                                                   |
|                                                                                   | 13010095                                                                          | РАБОЧЕЕ КОЛЕСО D160X52 D12,7<br>TÜRBİN D160X52 D12,7                                  | TURBINA D160X52 D12,7                                                             | WIMIK D160X52 D12,7                                                                 | 1                                                                                   |
| 1110                                                                              | 65300723                                                                          | ЧЕХОЛ VECTRON2+ ВИНТ КРЕПЛЕНИЯ<br>MUHAFAZA KAPAĞI VECTRON2+BAĞLANTI VIDA              | EXTRATOR VECTRON2+PARAFUSO DE FIXAÇÃO                                             | POKRYWA VECTRON2+SRUBA MOCUJĄCA                                                     | 1                                                                                   |
| 1120                                                                              | 65300519                                                                          | ВИНТ С ПЛОСКОЙ ГОЛОВКОЙ M5X15<br>DÜZ BAŞLI VIDA M5X15                                 | PARAFUSO CABEÇA PLANA M5X15                                                       | ŚRUBA Z ŁBEM NITOWYM PŁASKIM M5X15                                                  | 1                                                                                   |
| 1130                                                                              | 13013352                                                                          | ШТУЦЕР УГЛОВОЙ POLYAMIDE 1/8 -D.4<br>BASINÇ GIRIŞI AR                                 | UNIÃO COTOVELO POLYAMIDE 1/8 -D.4                                                 | GNIAZDO POMIARU CIŚNIENIA                                                           | 1                                                                                   |
| 1140                                                                              | 13015497                                                                          | ТРУБА D4/7 L500 СИЛИКОНОВЫЙ<br>BORU D4/7 L500 SILIKON                                 | MANGUEIRA D4/7 L500 SILICONE                                                      | PRZEWÓD D4/7 L500 SILIKON                                                           | 1                                                                                   |
| 1160                                                                              | 13010014                                                                          | ЭЛЕКТРОДВИГАТЕЛЬ 0,13KW230V D12,7<br>MOTORU 0,13KW 230V D12,7                         | MOTOR 0,13KW230V D12,7                                                            | SILNIK 0,13KW 230V D12,7                                                            | 1                                                                                   |
|                                                                                   | 65327089                                                                          | ЭЛЕКТРОДВИГАТЕЛЬ 0,1KW230V D12,7 ПРОБУР.<br>MOTORU 0,1KW 230V D12,7 DELINMIŞ          | MOTOR 0,1KW 230V D12,7 PERFURADO                                                  | SILNIK 0,1KW 230V D12,7 WYDRAŻONY                                                   | 1                                                                                   |
| 1165                                                                              | 65300577                                                                          | КОНДЕНСАТОР 8µF 2P 3mm<br>KONDENSATOR 8µF                                             | CAPACITOR 8µF 2P 3mm                                                              | KONDENSATOR 8µF                                                                     | 1                                                                                   |
|                                                                                   | 65325038                                                                          | КОНДЕНСАТОР 5µF 2P 3mm<br>KONDENSATOR 5µF 2P 3MM                                      | CAPACITOR 5µF 2P 3mm                                                              | KONDENSATOR 5µF 2P 3MM                                                              | 1                                                                                   |
| 1170                                                                              | 13020723                                                                          | КРОНШТЕЙН ПНЕВМОРЕЛЕ D32<br>HAVA BASINÇ ŞALTERİ MESHEDİ D32                           | BASE MANÓSTATO AR D32                                                             | WSPORNIK CZUJNIKA CIŚNI. POWIET. D32                                                | 1                                                                                   |
| 1180                                                                              | 13020502                                                                          | РЕЛЕ ДАВ. ВОЗДУХА 604.91 0,5-5MB+RAST<br>HAVA BASINÇ ŞALT. 604.91 0,5-5MB+RAST        | MANÓSTATO DE AR 604.91 0,5-5MB+RAST                                               | CZUJNIK CIŚ. POW. 604.91 0,5-5MB+RAST                                               | 1                                                                                   |
| 1190                                                                              | 65327445                                                                          | УПЛОТНЕНИЕ ВСПЕНЕННОЕ EPDM D2,3 L350<br>KÖPÜKLÜ MÜHÜR EPDM D2,3 L350                  | SELO ESPUMADO EPDM D2,3 L350                                                      | USZCZELNIENIE SPIENIONE EPDM D2,3 L350                                              | 1                                                                                   |
| 1510                                                                              | 65300158                                                                          | КАБЕЛЬ ИОНИЗАЦ. MC4/RAST1P L350<br>İYONİZASYON KABLOSU MC4/RAST1P L350                | CABO IONIZACION MC4/RAST1P L350                                                   | PRZEWÓD JONIZACYJNY MC4/RAST1P L350                                                 | 1                                                                                   |
| 1530                                                                              | 65301021                                                                          | БЛОК УПРАВЛЕНИЯ TCG 511.00<br>KUTU TCG 511.00                                         | PROGRAMADOR TCG 511.00                                                            | MODUŁ TCG 511.00                                                                    | 1                                                                                   |
| 1540                                                                              | 65300727                                                                          | ОПОРА БЛОКА УПРАВЛЕНИЯ+ДИСПЛЕЙ<br>KUTU DESTEĞİ+EKRAN                                  | SUPORTE UNIDADE DE CONTROLE+VISOR                                                 | WSPORNIK MODUŁU+WYŚWIETLACZ                                                         | 1                                                                                   |
| 1550                                                                              | 65301109                                                                          | ДИСПЛЕЙ БЛОК УПРАВЛЕНИЯ TCG-TCH REL. 2.2<br>EKAN İÇİN KUTU TCG-TCH R2.2 + KABLOSU     | VISOR/PROGRAMADOR TCG-TCH RELEASE 2.2                                             | WYŚWIETLACZ/MODUŁ TCG-TCH R2.2 + PRZEWÓD                                            | 1                                                                                   |
| 1560                                                                              | 65300531                                                                          | КАБЕЛЬ+ШТЕКЕР WIE. 4P/RAST3P L250<br>KABLOSU+FIŞ WIE. 4P/RAST3P L250                  | CABO+TOMADA WIE. 4P/RAST3P L250                                                   | PRZEWÓD+WTYCZKA WIE. 4P/RAST3P L250                                                 | 1                                                                                   |
| 1570                                                                              | 65300648                                                                          | КАБЕЛЬ ГАЗОВЫЙ КЛАПАН+P.DIN/RAST5P L1500<br>GAZ VANASI KABLOSU+PLUGDIN/RAST5P L1500   | CABO VALVULA GAS+TOM.DIN/RAST5P L1500AGP                                          | PRZEWÓD ZAWÓR GAZ+PL.DIN/RAST5P L1500AGP                                            | 1                                                                                   |
| 1580                                                                              | 13023698                                                                          | КАБЕЛЬ РЕЛЕ ДАВ. ГАЗА+P.DIN/RAST2P L1500<br>GAZ BAS.ŞALT.KABLOSU+PL.DIN/RAST2P L1500  | CABO PRESSOST.GAS+TOMAD.DIN/RAST2P L1500                                          | PRZEWÓD CZUJN.CIŚ.GAZU+DIN/RAST2P L1500                                             | 1                                                                                   |
| 1590                                                                              | 65300619                                                                          | КАБЕЛЬ ТРАНСФО РОЗЖИГА+ШТ.2P/RAST2P L350<br>KABLOSU ATEŞL. TRAFO.+FIŞ 2P/RAST2P L350  | CABO TRANSFO IGNIÇÃO+TOM.2P/RAST2P L350                                           | PRZEWÓD TRANSFO ZAPŁ.+WTY.2P/RAST2P L350                                            | 1                                                                                   |

|      |          |     |  |  |  |
|------|----------|--------------------------------------------------------------------------------------|-----------------------------------------------------------------------------------|-------------------------------------------------------------------------------------|-------------------------------------------------------------------------------------|
| 1600 | 13010519 | КАБЕЛЬ ЭЛЕКТРОДВИГАТЕЛЬ+P.3P/RAST3P L300<br>MOTORU KABLOSU+FIŞ 3P/RAST3P L300        | CABO MOTOR+TOMADA 3P/RAST3P L300                                                  | PRZEWÓD SILNIK+WTYCZKA 3P/RAST3P L300                                               | 1                                                                                   |
| 2110 | 13019123 | ДЕФЛЕКТОР D74,5/24,5 8SL R +DIFF. D50<br>DEFLEKTOR D74,5/24,5 8SL R +DIFF. D50       | DEFLECTOR D74,5/24,5 8SL R +DIFF. D50                                             | DEFLEKTOR D74,5/24,5 8SL R +DIFF. D50                                               | 1                                                                                   |
|      | 65300547 | ДЕФЛЕКТОР D89/30 6SL ДВОЙНОЙ ЭЛЕКТРОД<br>DEFLEKTOR D89/30 6SL ÇİFT ELEKTROD          | DEFLECTOR D89/30 6SL ELETRODO DUPLO                                               | DEFLEKTOR D89/30 6SL ELEKTRODA PODWÓJNA                                             | 1                                                                                   |
|      | 65327447 | ДЕФЛЕКТОР D95/25 8SL + ДИФУЗОРЫ D24.5<br>DEFLEKTOR D95/25 8SL + DIFUZÖRLER D24.5     | DEFLECTOR D95/25 8SL + DIFUSOR D24.5                                              | DEFLEKTOR D95/25 8SL + DYSZ D24.5                                                   | 1                                                                                   |
| 2130 | 65105897 | ЭЛЕКТРОД ЗАЖИГАН.D8X61d4/6,4D3X17,5 130°<br>ATEŞLEYİCİ ELEKT.D8X61d4/6,4D3X17,5 130° | ELETRODO ENCEND.D8X61d4/6,4D3X17,5 130°                                           | ELEKTRODA ALU.D8X61d4/6,4D3X17,5 130°                                               | 1                                                                                   |
|      | 65300738 | БЛОК ЭЛЕКТРОДОВ 12X46 D4 D1,2X10<br>ELEKTROD BLOĞU 12X46 D4 D1,2X10                  | BLOCO ELETRODO 12X46 D4 D1,2X10                                                   | BLOK ELEKTROD 12X46 D4 D1,2X10                                                      | 1                                                                                   |
| 2140 | 13019125 | ЗАТВОР LPG D57<br>OBTURATOR LPG D57                                                  | OBTURADOR GPL D57                                                                 | ZALUZJA LPG D57                                                                     | 1                                                                                   |
|      | 65108669 | КРЫШКА ОГНЕВАЯ ГОЛОВКА 55X55X8 4 SLOT 6<br>TAPA GAZ KAFA 55X55X8 4 SLOT 6MM          | TAMPA CABEÇA GAS 55X55X8 4 SLOT 6MM                                               | NAKR.GŁOWICA GAZ 55X55X8 4 SLOT 6MM                                                 | 1                                                                                   |
|      | 65321616 | КРЫШКА ОГНЕВАЯ ГОЛОВКА 55X55X8 4 SL.3,5<br>TAPA GAZ KAFA 55X55X8 4 SL.3,5MM LPG      | TAMPA CABEÇA GAS 55X55X8 4 SL.3,5MM GPL                                           | NAKR.GŁOWICA GAZ 55X55X8 4 SL.3,5MM LPG                                             | 1                                                                                   |
| 2150 | 13018033 | РЕГУЛИР.СТЕРЖЕНЬ D6 L288 M6/D4,8<br>AYAR ÇUBUĞU D6 L288 M6/D4,8                      | HASTE AJUSTE D6 L288 M6/D4,8                                                      | TRZPIEŃ REGULACYJNY D6 L288 M6/D4,8                                                 | 1                                                                                   |
|      | 13018034 | РЕГУЛИР.СТЕРЖЕНЬ D6 L407 M6/D4,8<br>AYAR ÇUBUĞU D6 L407 M6/D4,8                      | HASTE AJUSTE D6 L407 M6/D4,8                                                      | TRZPIEŃ REGULACYJNY D6 L407 M6/D4,8                                                 | 1                                                                                   |
|      | 13022192 | РЕГУЛИР.СТЕРЖЕНЬ D6 L257 M6/D5<br>AYAR ÇUBUĞU D6 L257 M6/D5                          | HASTE AJUSTE D6 L257 M6/D5                                                        | TRZPIEŃ REGULACYJNY D6 L257 M6/D5                                                   | 1                                                                                   |
|      | 13022193 | РЕГУЛИР.СТЕРЖЕНЬ D6 L377 M6/D5<br>AYAR ÇUBUĞU D6 L377 M6/D5                          | HASTE AJUSTE D6 L377 M6/D5                                                        | TRZPIEŃ REGULACYJNY D6 L377 M6/D5                                                   | 1                                                                                   |
|      | 65327461 | РЕГУЛИР.СТЕРЖЕНЬ D6 L253 M6/D4,8<br>AYAR ÇUBUĞU D6 L253 M6/D4,8                      | HASTE AJUSTE D6 L253 M6/D4,8                                                      | TRZPIEŃ REGULACYJNY D6 L253 M6/D4,8                                                 | 1                                                                                   |
|      | 65327467 | РЕГУЛИР.СТЕРЖЕНЬ D6 L373 M6/D4,8<br>AYAR ÇUBUĞU D6 L373 M6/D4,8                      | HASTE AJUSTE D6 L373 M6/D4,8                                                      | TRZPIEŃ REGULACYJNY D6 L373 M6/D4,8                                                 | 1                                                                                   |
| 2160 | 13010023 | ОГНЕВАЯ ГОЛОВКА L102 D93/30 6 BRANCH.<br>GAZ KAFA L102 D93/30 6 BRANCH.              | CABEÇA GAS L102 D93/30 6 BRANCH.                                                  | GŁOWICA GAZ L102 D93/30 6 BRANCH.                                                   | 1                                                                                   |
|      | 13010532 | ОГНЕВАЯ ГОЛ.L67 D72/22 +O-RING 4 BRANCH.<br>GAZ KAFA L67 D72/22 +O-RING 4 BRANCH.    | CABEÇA GAS L67 D72/22 +O-RING 4 BRANCH.                                           | GŁOWICA GAZ L67 D72/22 +O-RING 4 BRANCH.                                            | 1                                                                                   |
|      | 65327464 | ОГНЕВАЯ ГОЛОВКА D55/30 4 BRANCH.<br>GAZ KAFA D55/30 4 BRANCH.                        | CABEÇA GAS D55/30 4 BRANCH.                                                       | GŁOWICA GAZ D55/30 4 BRANCH.                                                        | 1                                                                                   |
| 2170 | 13010529 | ДАТЧИК ИОНИЗ. D8X80 D4 D2X27 80° F+S<br>İYONIZASYON SONDA D8X80 D4 D2X27 80° F+S     | SONDA IONIZACION D8X80 D4 D2X27 80° F+S                                           | SONDA JONIZACYJNY D8X80 D4 D2X27 80° F+S                                            | 1                                                                                   |
|      | 65111742 | ДАТЧИК ИОНИЗАЦИОННОГО D8X61 d4/6,4 D3X30<br>İYONIZASYON SONDA D8X61 d4/6,4 D3X30     | SONDA IONIZACION D8X61 d4/6,4 D3X30                                               | SONDA JONIZACYJNY D8X61 d4/6,4 D3X30                                                | 1                                                                                   |
| 2180 | 13013524 | КАБЕЛЬ РОЗЖИГА D4/D4 L365 AP (X1)<br>ATEŞLEME KABLOSU D4/D4 L365 AP (X1)             | CABO IGNIZACAO D4/D4 L365 AP (X1)                                                 | PRZEWÓD ZAPŁONOWY D4/D4 L365 AP (X1)                                                | 1                                                                                   |
|      | 13014990 | КАБЕЛЬ РОЗЖИГА D4/D4 L510 AP (X1)<br>ATEŞLEME KABLOSU D4/D4 L510 AP (X1)             | CABO IGNIZACAO D4/D4 L510 AP (X1)                                                 | PRZEWÓD ZAPŁONOWY D4/D4 L510 AP (X1)                                                | 1                                                                                   |
|      | 65327462 | КАБЕЛЬ РОЗЖИГА D5 L365 CARBON<br>ATEŞLEME KABLOSU D5 L365 CARBON                     | CABO IGNIZACAO D5 L365 CARBON                                                     | PRZEWÓD ZAPŁONOWY D5 L365 CARBON                                                    | 1                                                                                   |
|      | 65327468 | КАБЕЛЬ РОЗЖИГА D5 L510 CARBON<br>ATEŞLEME KABLOSU D5 L510 CARBON                     | CABO IGNIZACAO D5 L510 CARBON                                                     | PRZEWÓD ZAPŁONOWY D5 L510 CARBON                                                    | 1                                                                                   |
| 2190 | 13013525 | КАБЕЛЬ ИОНИЗАЦ. D4 BAN/D4 L350<br>İYONIZASYON KABLOSU D4 BAN/D4 L350                 | CABO IONIZACION D4 BAN/D4 L350                                                    | PRZEWÓD JONIZACYJNY D4 BAN/D4 L350                                                  | 1                                                                                   |
|      | 13015121 | КАБЕЛЬ ИОНИЗАЦ. MC4/D4 L650<br>İYONIZASYON KABLOSU MC4/D4 L650                       | CABO IONIZACION MC4/D4 L650                                                       | PRZEWÓD JONIZACYJNY MC4/D4 L650                                                     | 1                                                                                   |
| 2200 | 13018027 | ТРУБКА ПОДВОДА ГАЗА+КОЛЕНО D22X215 T1/KN<br>GAZ GELİŞ BORUSU+DIRSEK D22X215 T1/KN    | TUBO ENTRADA GÁS+COTOVELO D22X215 T1/KN                                           | PRZEWÓD DOPROWAD.GAZU+KOL. D22X215 T1/KN                                            | 1                                                                                   |
|      | 13018028 | ТРУБКА ПОДВОДА ГАЗА+КОЛЕНО D22X335 T2/KL<br>GAZ GELİŞ BORUSU+DIRSEK D22X335 T2/KL    | TUBO ENTRADA GÁS+COTOVELO D22X335 T2/KL                                           | PRZEWÓD DOPROWAD. GAZU+KOL D22X335 T2/KL                                            | 1                                                                                   |
|      | 13020258 | ТРУБКА ПОДАЧИ ГАЗА+КОЛЕНО D30X331 T2/KL<br>GAZ GELİŞ BORUSU+DIRSEK D30X331 T2/KL     | TUBO ENTRADA GÁS+COTOVELO D30X331 T2/KL                                           | PRZEWÓD DOPROWAD.GAZU+KOL. D30X331 T2/KL                                            | 1                                                                                   |
|      | 13021643 | ТРУБКА ПОДАЧИ ГАЗА+КОЛЕНО D30X211 T1/KN<br>GAZ GELİŞ BORUSU+DIRSEK D30X211 T1/KN     | TUBO ENTRADA GÁS+COTOVELO D30X211 T1/KN                                           | PRZEWÓD DOPROWAD.GAZU+KOL. D30X211 T1/KN                                            | 1                                                                                   |
|      | 65327460 | ТРУБКА ПОДВ.ГАЗА+КОЛЕНО L185<br>GAZ GELİŞ BORUSU+DIRSEK L185                         | TUBO ENTRAD.GÁS+COTOVEL. L185                                                     | PRZEWÓD DOPROW.GAZU+KOL. L185                                                       | 1                                                                                   |
|      | 65327466 | ТРУБКА ПОДВ.ГАЗА+КОЛЕНО L331<br>GAZ GELİŞ BORUSU+DIRSEK L331                         | TUBO ENTRAD.GÁS+COTOVEL. L331                                                     | PRZEWÓD DOPROW.GAZU+KOL. L331                                                       | 1                                                                                   |
| 2210 | 13018089 | О-КОЛЬЦО D30X3<br>O-RING D30X3                                                       | O-RING D30X3                                                                      | O-RING D30X3                                                                        | 1                                                                                   |
| 2250 | 13021993 | СОПЛО ГОРЕЛКИ D115/78 L230 AGP<br>BRÜLÖR BORUSU D115/78 L230 AGP                     | TUBO DO QUEIMADOR D115/78 L230 AGP                                                | RURA PALNIKA D115/78 L230 AGP                                                       | 1                                                                                   |
|      | 13021994 | СОПЛО ГОРЕЛКИ D115/78 L350 AGP<br>BRÜLÖR BORUSU D115/78 L350 AGP                     | TUBO DO QUEIMADOR D115/78 L350 AGP                                                | RURA PALNIKA D115/78 L350 AGP                                                       | 1                                                                                   |
|      | 65327484 | СОПЛО ГОРЕЛКИ D115/90/90X230 AGP<br>BRÜLÖR BORUSU D115/90/90X230 AGP                 | TUBO QUEIMADOR D115/90/90X230 AGP                                                 | RURA PALNIKA D115/90/90X230 AGP                                                     | 1                                                                                   |

|      | ☰ | XXXXXXXXXX | RU                                                                                   | PT                                       | PL                                       | X |
|------|---|------------|--------------------------------------------------------------------------------------|------------------------------------------|------------------------------------------|---|
|      |   |            | TR                                                                                   |                                          |                                          |   |
|      |   | 65327485   | СОПЛО ГОРЕЛКИ D115/90/90X350 AGP<br>BRÜLÖR BORUSU D115/90/90X350 AGP                 | TUBO QUEIMADOR D115/90/90X350 AGP        | RURA PALNIKA D115/90/90X350 AGP          | 1 |
|      |   | 65327486   | СОПЛО ГОРЕЛК.D115/125/85X230 AGP<br>BRÜLÖR BORUSU D115/125/85X230 AGP                | TUBO QUEIMAD.D115/125/85X230 AGP         | RURA PALNIKA D115/125/85X230 AGP         | 1 |
|      |   | 65327487   | СОПЛО ГОРЕЛК.D115/125/85X350 AGP<br>BRÜLÖR BORUSU D115/125/85X350 AGP                | TUBO QUEIMAD.D115/125/85X350 AGP         | RURA PALNIKA D115/125/85X350 AGP         | 1 |
| 2260 |   | 13018134   | ПРИНАДЛЕЖНОСТИ КОТЛА D115 EUROBRIDE<br>KAZAN AKSESUARLARI D115 EUROBRIDE             | ACCESORIO CALDERA D115 EUROFLANGE        | AKCESORIA DO KOTŁA D115 EUROBRIDE        | 1 |
|      |   | 65327457   | ПРИНАДЛЕЖНОСТИ КОТЛА D125 EURO-ФЛАНЕЦ<br>KAZAN AKSESUARLARI D125 EURO-FLANŞI         | ACESSÓRIO CALDEIRA D125 EUROFLANGE       | AKCESORIA ZASOBNIKA D125 EUROFLANGE      | 1 |
| 2261 |   | 13018135   | ПРОКЛАДКА/ФЛАНЕЦ ГОРЕЛКИ 176X176X8 D115<br>CONTASI/BRULOR FLANŞI 176X176X8 D115      | GAXETA/FLANGE QUEIMADOR 176X176X8 D115   | USZCZELKA/KOŁNIERZ PAL.176X176X8 D115    | 1 |
|      |   | 65327458   | ПРОКЛАДКА/ФЛАНЕЦ ГОРЕЛКИ 176X176X8 D125<br>CONTASI/BRULOR FLANŞI 176X176X8 D125      | GAXETA/FLANGE QUEIMADOR 176X176X8 D125   | USZCZELKA/KOŁNIERZ PAL. 176X176X8 D125   | 1 |
| 2262 |   | 13020517   | ПРОКЛАДКА/ПЛЕТЕНАЯ D115X5X5-377<br>CONTASI/OERÜLÜ D115X5X5-377                       | GAXETA/TRANÇADA D115X5X5-377             | USZCZELKA/PLECIONA D115X5X5-377          | 1 |
|      |   | 65327463   | ПРОКЛАДКА/ПЛЕТЕНАЯ D125X5X5-412<br>CONTASI/OERÜLÜ D125X5X5-412                       | GAXETA/TRANÇADA D125X5X5-412             | USZCZELKA/PLECIONA D125X5X5-412          | 1 |
| 4005 |   | 13018098   | КОЛЛЕКТОР В СБОРЕ<br>MANIFOLD KMPL                                                   | COLETOR COMPLETO                         | KOLEKTOR KOMPL.                          | 1 |
|      |   | 13018623   | КОЛЛЕКТОР В СБОРЕ<br>MANIFOLD KMPL                                                   | COLETOR COMPLETO                         | KOLEKTOR KOMPL.                          | 1 |
| 4020 |   | 13009722   | ДАТЧИК ДАВЛЕНИЯ R1/8<br>R1/8 BASINÇ PRİZİ                                            | TOMADA DE PRESSÃO R1/8                   | GNAZDO CIŚNIENIOWE R1/8                  | 1 |
| 4100 |   | 13020611   | ГАЗОВЫЙ КЛАПАН MBVEF407 B01 S30 RP3/4*IM<br>GAZ VANASI MBVEF407 B01 S30 RP3/4*IMPULS | VALVULA GAS MBVEF407 B01 S30 RP3/4*IMPUL | ZAWÓR GAZOWY MBVEF407 B01 S30 RP3/4*IMPU | 1 |
|      |   | 13020612   | ГАЗОВЫЙ КЛАПАН MBVE407 B01 S10+F IMPULS.<br>GAZ VANASI MBVEF407 B01 S10 RP3/4*IMPULS | VALVULA GAS MBVEF407 B01 S10 RP3/4*IMPUL | ZAWÓR GAZOWY MBVEF407 B01 S10 RP3/4*IMPU | 1 |
|      |   | 13020613   | ГАЗОВЫЙ КЛАПАН 412 B01 S10 IMPULS.<br>GAZ VANASI MBVEF412 B01 S10 RP1*1/4 IMPU       | VALVULA GAS MBVEF412 B01 S10 RP1*1/4 IMP | ZAWÓR GAZOWY MBVEF412 B01 S10 RP1*1/4 IM | 1 |
| 4110 |   | 13010078   | РЕЛЕ ДАВ. ВОЗДУХА GW 150 A5 5-150MB<br>GAZ BASINÇ ŞALT. GW 150 A5 5-150MB            | PRESSOSTATO GAS GW 150 A5 5-150MB        | CZUJNIK CIŚ. GAZU GW 150 A5 5-150MB      | 1 |
| 4120 |   | 13019202   | ФЛАНЕЦ IMPULSION D14,9 MB407<br>FLANŞI IMPULSION D14,9 MB407                         | FLANGE IMPULSION D14,9 MB407             | KOŁNIERZ IMPULSION D14,9 MB407           | 1 |
|      |   | 13019203   | ФЛАНЕЦ IMPULSION D14,9 MB412<br>FLANŞI IMPULSION D14,9 MB412                         | FLANGE IMPULSION D14,9 MB412             | KOŁNIERZ IMPULSION D14,9 MB412           | 1 |
| 4130 |   | 13010083   | ОБОМТКА DUN N° 1105 MBVEF407<br>N° 1105 MBVEF407 DUN BOBINİ                          | BOBINA DUN N° 1105 MBVEF407              | CEWKA DUN NR 1105 MBVEF407               | 1 |
|      |   | 13010084   | ОБОМТКА DUN N° 1205 MBVEF412<br>N° 1205 MBVEF412 DUN BOBINİ                          | BOBINA DUN N° 1205 MBVEF412              | CEWKA DUN NR 1205 MBVEF412               | 1 |
| 4140 |   | 65326948   | ФИЛЬТРУЮЩИЙ ЭЛЕМЕНТ D20 /MB. 405/407<br>FILTRE ELEMANI D20 /MB. 405/407              | ELEMENTO FILTRANTE D20 /MB. 405/407      | WKŁAD FILTRA D20 /MB. 405/407            | 1 |
|      |   | 65327438   | ФИЛЬТРУЮЩИЙ ЭЛЕМЕНТ D30 / MB. 410/412<br>FILTRE ELEMANI D30 / MB. 410/412            | ELEMENTO FILTRANTE D30 / MB. 410/412     | WKŁAD FILTRA D30 / MB. 410/412           | 1 |
| 4150 |   | 13019198   | ДИАФРАГМА/ГАЗОВОЕ КОЛЕНО D29/15/2,5<br>DIYAFRAM/GAZ KLAPE D29/15/2,5                 | DIAFRAGMA/COTOVELO GAS D29/15/2,5        | PRZEPONA/KOLANKO GAZU D29/15/2,5         | 1 |
| 4160 |   | 65300673   | ШТУЦЕР + ТРУБКИ<br>BAĞLANTI KITI + BORUSU                                            | KIT TUBOS+CONECTORES                     | ZESTAW ZŁĄCZY + PRZEWODY                 | 1 |
| 4200 |   | 13019200   | О-КОЛЬЦА D34,5X3,5D30X3/MBVEF407 IMP.<br>O-RING KITI D34,5X3,5D30X3/MBVEF407 IMP.    | KIT O-RING D34,5X3,5D30X3/MBVEF407 IMP.  | ZEST.O-RING D34,5X3,5D30X3/MBVEF407 IMP. | 1 |
|      |   | 13019201   | О-КОЛЬЦА D34,5X3,5+D30X3/MBVEF412 IMP.<br>O-RING KIT D34,5X3,5+D30X3/MBVEF412 IMP.   | KIT O-RING D34,5X3,5+D30X3/MBVEF412 IMP. | ZES.O-RING D34,5X3,5+D30X3/MBVEF412 IMP. | 1 |
| 4300 |   | 13010074   | ФЛАНЕЦ MB405/407 RP3/4 +O-RING<br>FLANŞI MB405/407 RP3/4 +O-RING                     | FLANGE MB405/407 RP3/4 +O-RING           | KOŁNIERZ MB405/407 RP3/4 +O-RING         | 1 |
|      |   | 13010085   | ФЛАНЕЦ MB410/412 RP1 1/4<br>FLANŞI MB410/412 RP1 1/4                                 | FLANGE MB410/412 RP1 1/4                 | KOŁNIERZ MB410/412 RP1 1/4               | 1 |





