



## SPARE PARTS EXPLODED VIEW GAS BURNERS

Model

### CB-VG2 M E /TC

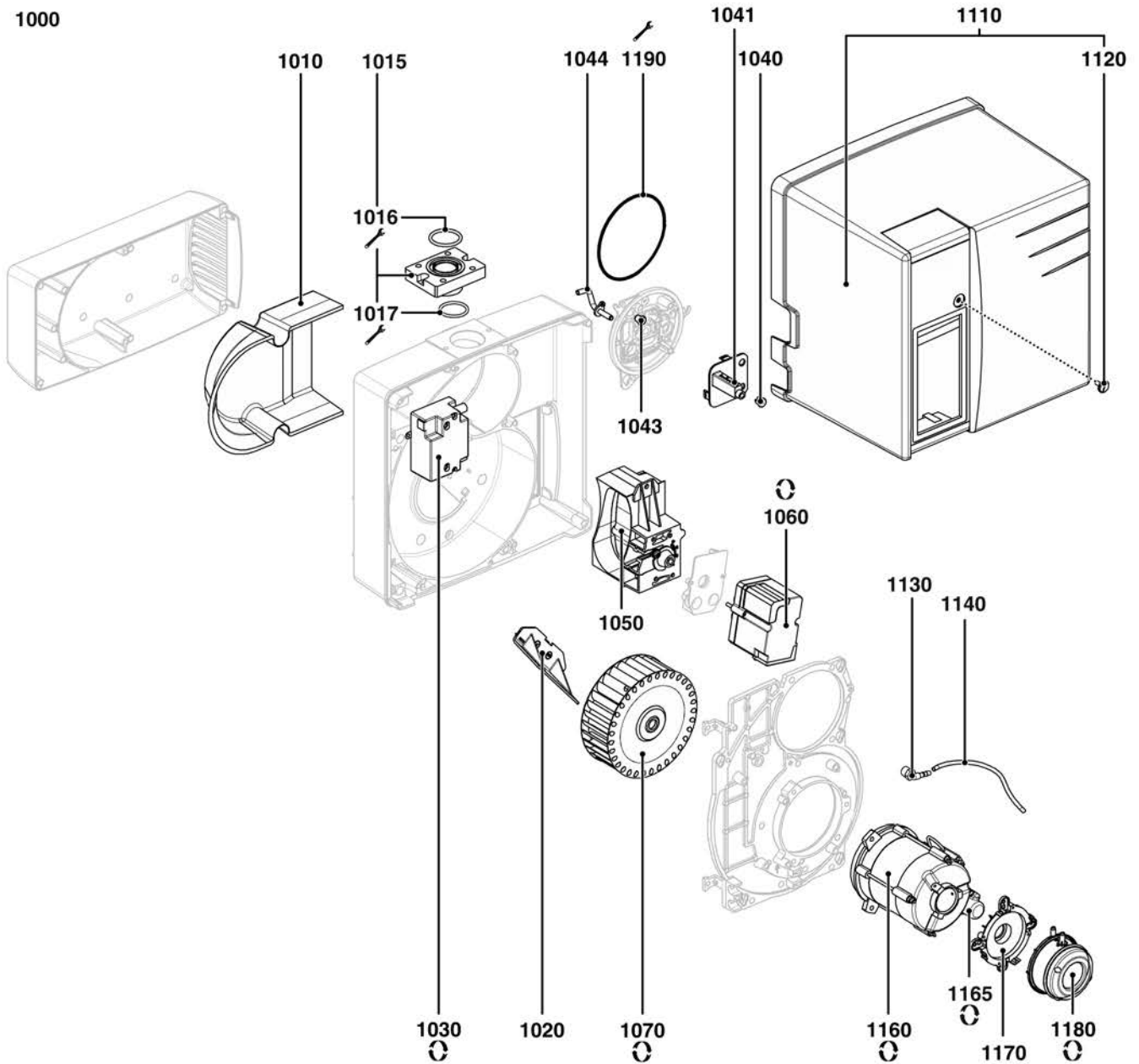
R8220274-02 - 06/11/2018

CB-VG2 M E /TC

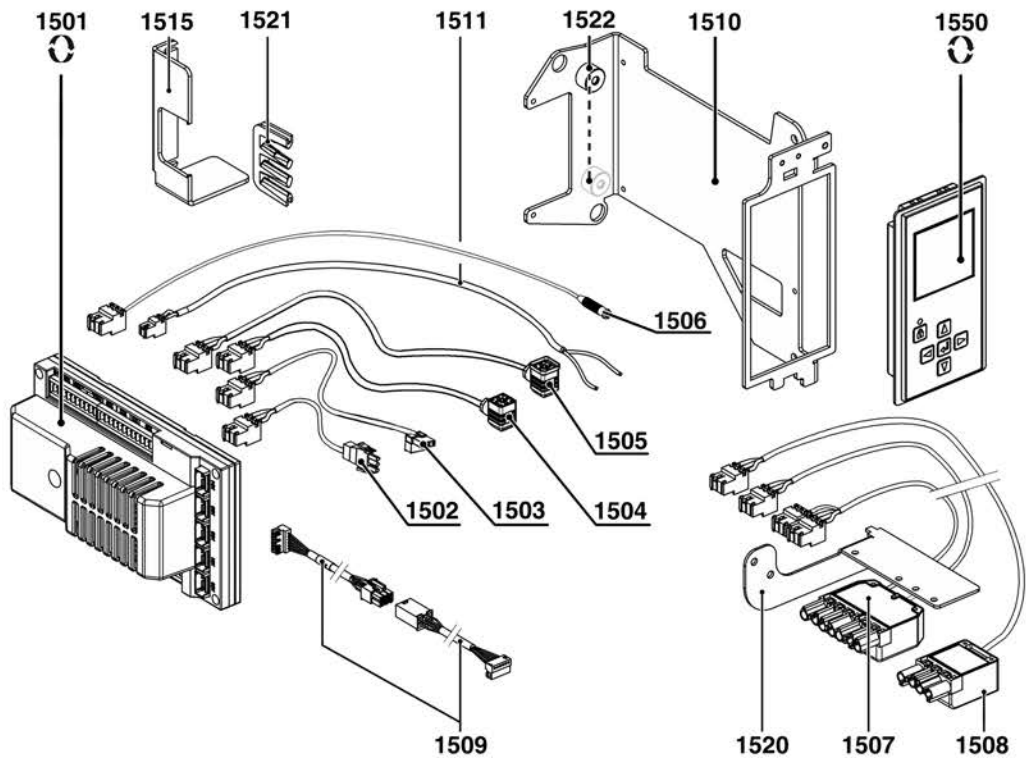
Gas burners

1	3836524	BB-VG2.120 M E /TC KN	07-2018	-
2	3836525	BB-VG2.120 M E /TC KL	07-2018	-
3	3836526	BB-VG2.160 M E /TC KN	06-2018	-
4	3836527	BB-VG2.160 M E /TC KL	07-2018	-
5	3836528	BB-VG2.205 M E /TC KN	06-2018	-
6	3836529	BB-VG2.205 M E /TC KL	09-2018	-
7	3833507	GT -D411- 3/4IN - RP3/4IN	01-2013	-
Col	Reference	Model type	Begin	End

1000

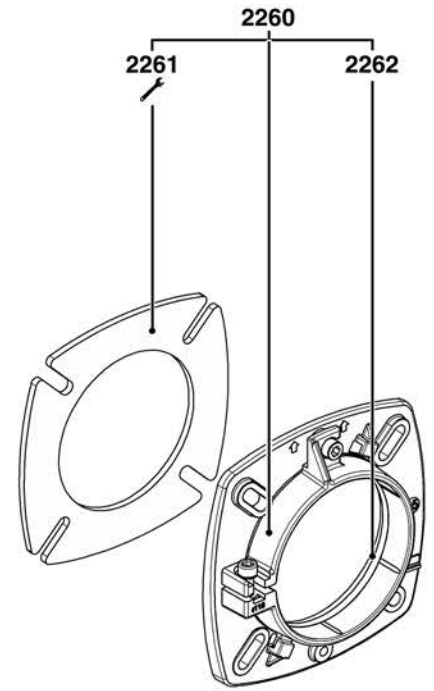
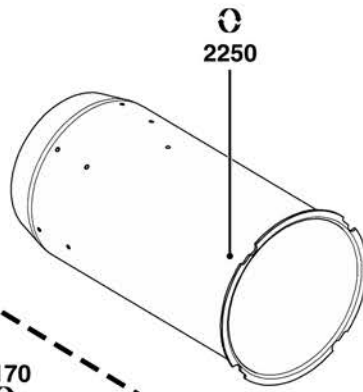
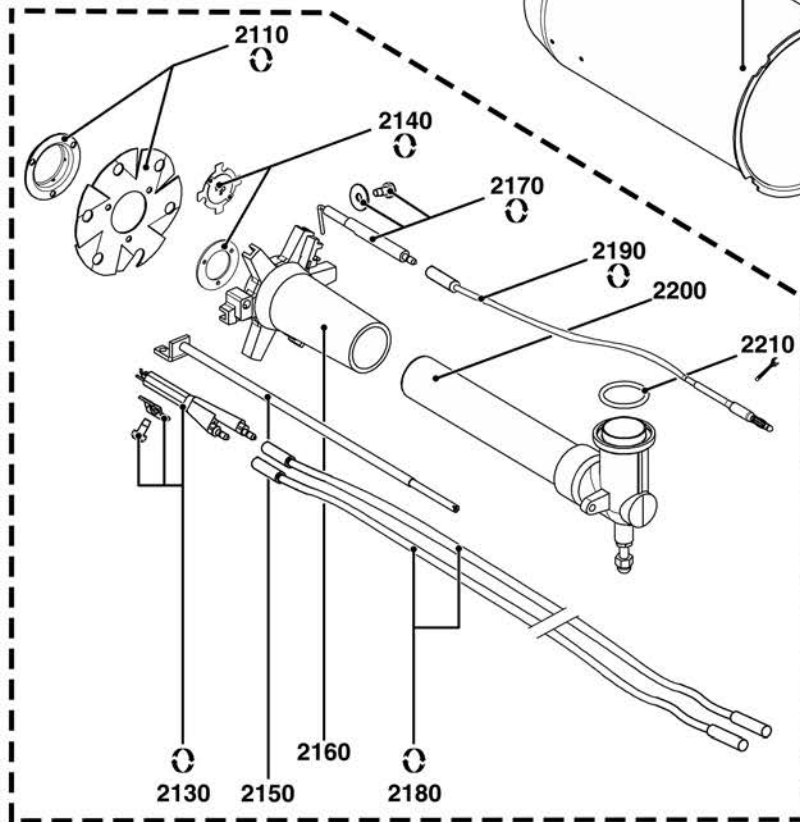


1500

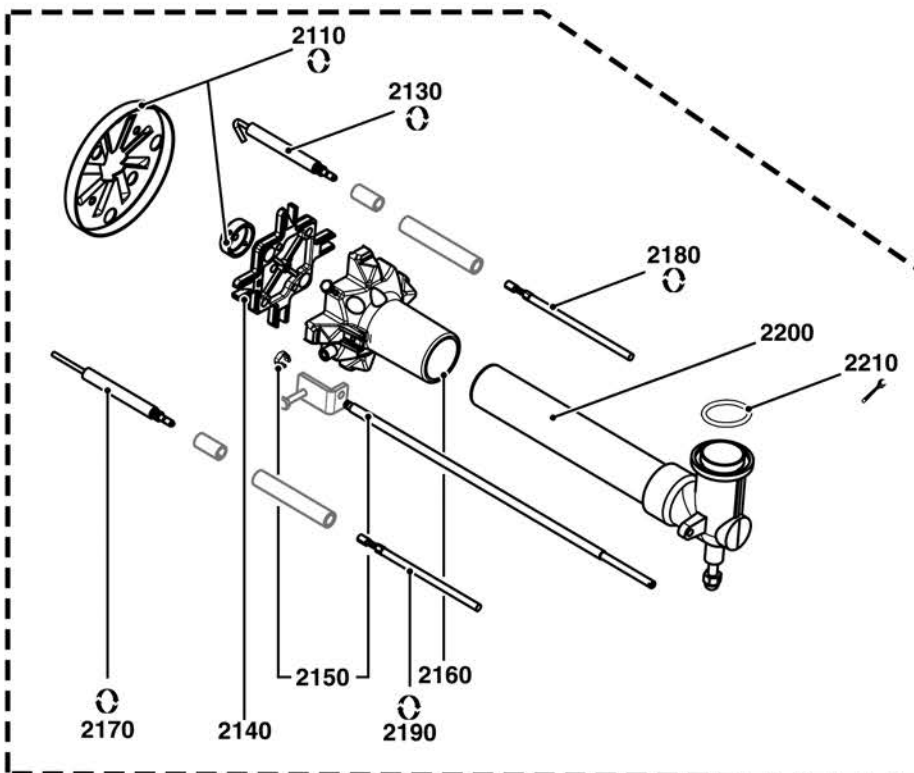




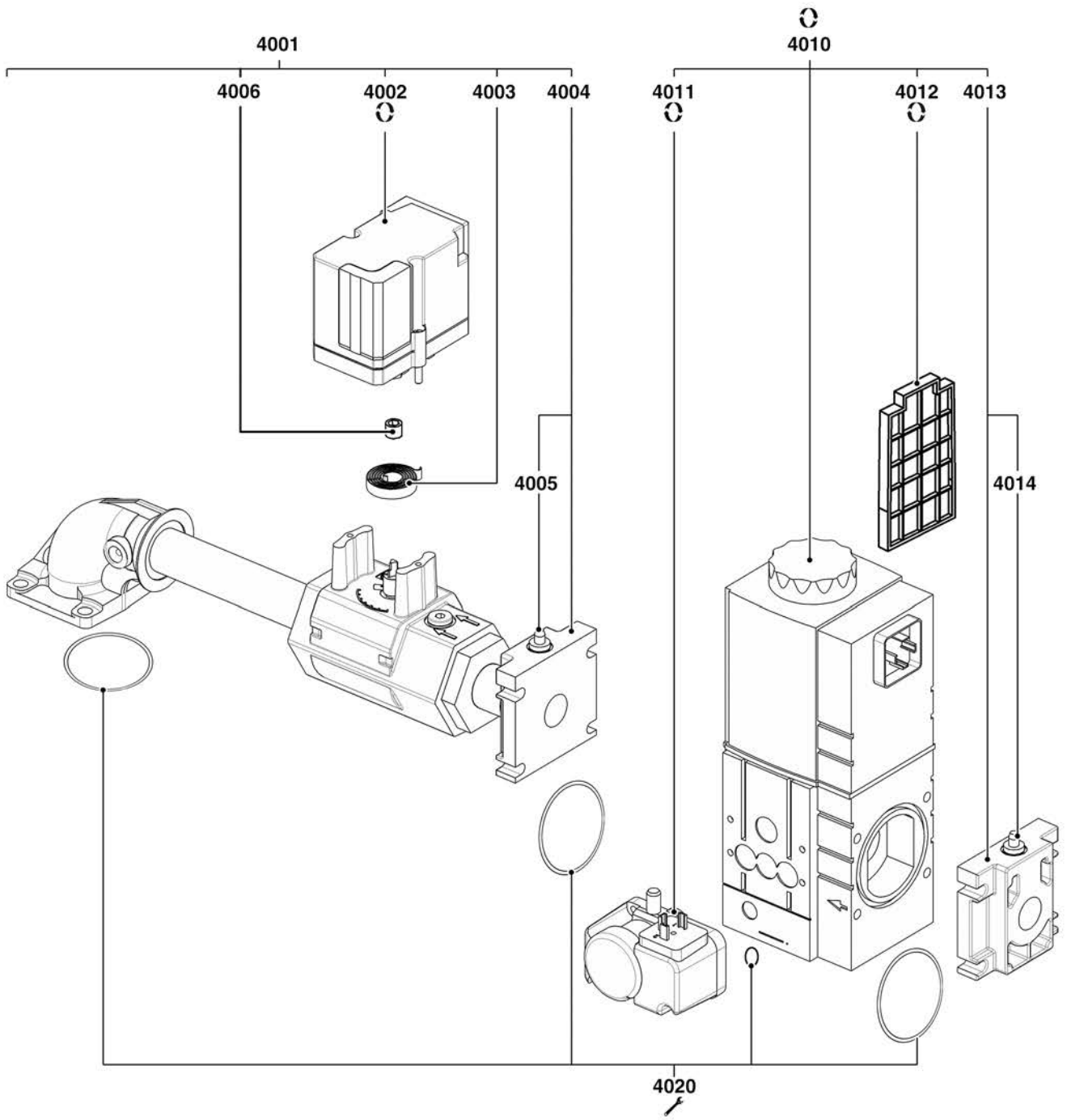
120/140/160 kW



205 kW









		DE NL	FR ES	IT	X
1010	13017369	ISOLIERUNG 220x158 LUFTKASTEN ISOLATIE LUCHTKAST	ISOLATION BOITE A AIR AISLAMIENTO CAJA DE AIRE	ISOLAMENTO SCATOLA DELL'ARIA	1
1015	13022109	FLANSCH 82X62X30 D27 GASROHR + O-RING FLENS 82X62X30 D27 GASBUIJS + O-RING	BRIDE 82X62X30 D27 TUBE GAZ + O-RING BRIDA 82X62X30 D27 TUBERIA GAS + O-RING	FLANGIA 82X62X30 D27 TUBO GAS + O-RING	1
1016	13022908	O-RING 4137 D34,52X3,53 NBR O-RING 4137 D34,52X3,53 NBR	O-RING 4137 D34,52X3,53 NBR O-RING 4137 D34,52X3,53 NBR	O-RING 4137 D34,52X3,53 NBR	1
1017	13018089	O-RING D30X3 O-RING D30X3	O-RING D30X3 O-RING D30X3	O-RING D30X3	1
1020	13017363	ANSAUGLUFTFUEHRUNG 109/102X60 78°(WEISS) LUCHTGELEIDING 109/102X60 78° (WIT)	RECYCLAGE AIR 109/102X60 78° (BLANC) RECICLAJE DE AIRE 109/102X60 78°(BLANCO)	CONVOGLIATO. ARIA 109/102X60 78°(BIANCO)	1
	13017364	ANSAUGLUFTFUEHR. 119/114X60 78°(SCHWARZ) LUCHTGELEIDING 119/114X60 78° (ZWART)	RECYCLAGE AIR 119/114X60 78° (NOIR) RECICLAJE DE AIRE 119/114X60 78° (NEGRO)	CONVOGLIATORE ARIA 119/114X60 78° (NERO)	1
1030	13009663	ZUENDTRAFO EBI 2X7,5 230V ONTSTEKINGSTRAFO EBI 2X7,5 230V	ALLUMEUR EBI 2X7,5 230V ENCENDEDOR EBI 2X7,5 230V	TRASFO. ACC. EBI 2X7,5 230V+PRESA TERRA	1
	65300715	ZUENDTRAFO EBI 1X11 230V ONTSTEKINGSTRAFO EBI 1X11 230V	ALLUMEUR EBI 1X11 230V+PRISE TERRE ENCENDEDOR EBI 1X11 230V	TRASFO. ACC. EBI 1X11 230V+PRESA TERRA	1
1040	13010058	TUELLE KABEL SCHWARZ D2,3/9 DRAADDOORVOER ZWART D2,3/9	PASSE-CABLE D2,3/9 PLASTIQUE NOIR PASACABLE NEGRO D2,3/9	PASSACAVO NERO D2,3/9	1
1041	13021960	GAS DECKPLATTE 61X60 D7,5+2XD9 SKALA L52 AFDEKPLAAT GAS 61X60 D7,5+2XD9 GRAD.L52	PLAQUET.TAB.GAZ 61X60 D7,5+2XD9 GRAD.L52 PLACA PANEL GAS 61X60 D7,5+2XD9 GRAD.L52	PIASTRINA GAS 61X60 D7,5+2XD9 GRAD.L52	1
1043	13007808	TUELLE KABEL D5/9 (2 STÜCKE) SCHWARZ DRAADDOORVOER D5/9 (2 STUKKEN) ZWART	PASSE-CABLE NOIR D 5/9 (2 PIECES) PASSACABLE D5/9 (2 PIEZAS) NEGRO	PASSA CAVO NERO D5/9 (2 PEZZI)	1
1044	13021961	CU-ROHR D6+FLANSCH F.LUFTMES BUIS D.6+FLENS VOOR METING VAN DE LUCHT	TUBE D.6+BRIDE POUR MESURE D'AIR TUBO D.6+ BRIDA PARA MEDICIÓN DE AIRE	TUBO D.6+ FLANGIA DI MISURA PER L'ARIA	1
1050	13018138	LUFTKLAPPEN BG LUCHTKLEP COMPLEET	VOLET D'AIR VÁLVULA DE AIRE	SERRANDA DELL'ARIA	1
1060	65300527	STELLANTR. STE4,5 B0.37/6-R M.KABEL L600 REGELMOTOR STE 4,5 B0.37/6-R +KABEL L600	SERVOMOTEUR STE4,5 B0.37/6-R +CABLE L600 SERVOMOTOR STE 4,5 B037/6 R+CABLE L600	SERVOMOTORE STE 4,5 B0.37/6-R +CAVO L600	1
1070	13010012	VENTILATORRAD D146X52 d12,7 VENTILATORWIEL D146X52 d12,7	TURBINE D146 X52 D12,7 TURBINA D146X52 d12,7	VENTOLA D146 X52 d12,7	1
	13010095	VENTILATORRAD D160X52 D12,7 VENTILATORWIEL D160X52 D12,7	TURBINE D160X52 D12,7 TURBINA D160X52 D12,7	VENTOLA D160X52 D12,7	1
1110	65300723	BRENNERHAUBE VECTRON2+SCHRAUBE BRANDERKAP V-L /G2 + BEV.SCHROEF	CAPOT VECTRON2+VIS CUBIERTA VECTRON2+TORNILLO DE FIJACIÓN	COFANO VECTRON2+VITE DI FISSAGGIO	1
1120	65300519	FLACHKOPF-SCHRAUBE M5X15+SPITZE PLATKOPPSCHROEF M5X15	VIS A TETE PLATE M5X15 TORNILLO DE CABEZA PLANA M5X15	VITE A TESTA PIANA M5X15	1
1130	13013352	WINKELVERSCHRAUBUNG POLYAMIDE 1/8-D.4 AANSLUITING GEBOGEN POLYAMIDE 1/8 -D.4	RACCOR COUDE POLYAMIDE 1/8-D.4 RACOR ACODADO POLYAMIDE 1/8 -D.4	RACCORDO GOMITO POLYAMIDE 1/8 -D.4	1
1140	13015497	SCHLAUCH ID4/7X500 SILIKON TRANSPARENT SLANG D4/7 L500 SILIKON	TUYAU D4/7 L500 SILICONE MANGUERA D4/7 L500 SILICONA	TUBETTO D4/7 L500 SILICONE	1
1160	13010014	MOTOR 0,13KW230V D12,7 BRANDERMOTOR 0,13KW 230V D12,7	MOTEUR 0,13KW 230V D12,7 MOTOR 0,13KW230V D12,7	MOTORE 0,13KW230V D12,7	1
	65327089	MOTOR 0,1KW 230V D12,7+BOHRUNGEN MOTOR 0,1KW 230V D12,7 GEBOORD	MOTEUR 0,1KW 230V D12,7+PERCAGES MOTOR 0,1KW 230V D12,7 PERFORADO	MOTORE 0,1KW 230V D12,7 FORATO	1
1165	65300577	KONDENSATOR 8µF 2P 3mm CONDENSATOR 8µF 2P 3mm	CONDENSATEUR 8µF 2P 3mm CONDENSADOR 8µF 2P 3mm	CONDENSATORE 8µF 2P 3mm	1
	65325038	KONDENSATOR 5µF 2P 3mm CONDENSATOR 5µF 2P 3mm	CONDENSATEUR 5µF 2P 3mm CONDENSADOR 5µF 2P 3mm	CONDENSATORE 5µF 2P 3mm	1
1170	13020723	HALTER D32 LUFTDRUCKWAECHTER HUB LUCHTDRUKSCHAKELAAR STEUN D32	SUPPORT MANOSTAT AIR D32 SOPORTE DEL MANOSTATO DE AIRE D32	SUPPORTO PRESSOSTATO DELL'ARIA D32	1
1180	13020502	LUFTDRUCKWAECHTER 604.91 0,5-5MB+RAST LUCHTDRUKSCHAKELAAR 604.91 0,5-5MB+RAST	MANOSTAT AIR 604.91 0,5-5MB+RAST PRESOSTATO AIRE 604.91 0,5-5MB+RAST	PRESSOSTATO ARIA 604.91 0,5-5MB+RAST	1
1190	65327445	DICHTUNG D2,3 L350 EPDM GESCHÄUMT SEALSCHUIM EPDM D2,3 L350	JOINT EN MOUSSE EPDM D2,3 L350 JUNTA DE ESPUMA EPDM D2,3 L350	GUARNIZIONE D2,3 L350 IN EPDM ESPANSO	1
1501	65300964	FEUERUNGSAUTOMAT LCG 911 BT320 BRANDERAUTOMAAT LCG 911 BT320	COFFRET LCG 911 BT320 PROGRAMADOR LCG 911 BT320	APPARECCHIATURA LCG 911 BT320	1
1502	65300965	KABEL MOTOR+STCK 3P/RAST3P L290 BT3xx KABEL MOTOR+STCK3P/RAST3P L290 BT3xx	CABLE MOTEUR+PRISE 3P/RAST3P L290 BT3xx CABLE MOTOR+TOMA 3P/RAST3P L290 BT3xx	CAVO MOTORE+PRESA 3P/RAST3P L290 BT3xx	1
1503	65300966	KABEL ZÜNDTRAFO+STCK 3P/RAST3P L250BT3xx KABEL ONTS.TRAFO+STCK 3P/RAST3P L250 BT3	CABLE ALLUMEUR+PRISE 3P/RAST3PL250BT3xx CABLE ENCENDEDOR+TOMA 3P/RAST3P L250 BT3	CAVO TRASFO ACC.+PRESA 3P/RAST3P L250BT3	1
1504	65300967	KABEL GASVENTIL+STCK DIN/2XRAST3P L2000 KABEL GASKLEP+STCKDIN/2XRAST3P L2000	CABLE VANNE GAZ+PRISE DIN/2XRAST3P L2000 CABLE VALV.GAS+TOMA DIN/2XRAST3P L2000	CAVO VALVOLA GAS+PRESADIN/2XRAST3P L2000	1
1505	65300968	KABEL GDW.+STCK DIN/RAST3P L1500 BT3xx G.DRUKSCHAKEL.KABEL+DIN/RAST3P L1500 BT3	CABLE MANO GAZ+PRISE DIN/RAST3P L1500BT3 CABLE PRES.AIRE+TOMA DIN/RAST3P L1500BT3	CAVO PRESSOST.GAS+P.DIN/RAST3P L1500BT3	1
1506	65300970	IONISATIONS KABEL RAST4P/D4 F L350 BT3xx IONISATIEKABEL RAST4P/D4 F L350 BT3xx	CABLE IONISATION RAST4P/D4 F L350 BT3xx CABLE IONIZACION RAST4P/D4 F L350 BT3xx	CAVO RIVELAZIONE RAST4P/D4 F L350 BT3xx	1
1507	65300971	KABEL+STECKER WIELAND 7P/3XRAST3P L370 KABEL+STCKWIE. 7P/3XRAST3P L370	CABLE+PRISE WIE. 7P/3XRAST3P L370 CABLE+TOMA WIE. 7P/3XRAST3P L370	CAVO+PRESA WIELAND 7P/3XRAST 3P L370	1
1508	65300972	KABEL+STECKER WIELAND 4P/RAST3P L350 KABEL+STCKWIE. 4P/RAST3P L350	CABLE+PRISE WIE. 4P/RAST3P L350 CABLE+TOMA WIE. 4P/RAST3P L350	CAVO+PRESA WIELAND 4P/RAST3P L350	1
1509	65301111	STELLANTRIEBKABEL STE+RAST6P/6P L1400 KABEL REGELMOTOR STE+RAST6P/6P L1400	CABLE SERVOMOTEUR STE+RAST6P/6P L1400 CABLE SERVOMOTOR STE+RAST6P/6P L1400	CAVO SERVOMOTORE STE+RAST6P/6P L1400	1

		DE	FR	IT	X
		NL	ES		
1510	65300727	HALTER Z.FEUERUNGSA.U.ANZEIGE STEUN VAN DE AUTOMAAT+DISPLAY	SUPPORT COFFRET+AFFICHEUR SOPORTE DEL CAJETÍN+PANTALLA	SUPPORTO PROGRAMM.+VISUALIZZ.	1
1511	65300048	KABEL LDW+RAST2P/2X0,75 L430 L.DRUKSCHAKEL.KABEL+RAST2P/2X0,75 L430	CABLE MANOSTAT AIR+RAST2P/2X0,75 L430 CABLE PRESOSTATO AIRE+RAST2P/2X0,75 L430	CAVO PRESSOST.ARIA+RAST2P/2X0,75 L430	1
1515	65300974	HALTER F.KABELDURCHFUEHRUNG STEUN DRAADDOORVOER	SUPPORT PASSE FILS SOPORTE DE PASACABLES	SUPPORTO PASSAFILO	1
1520	65300973	HALTER F. 7/4 POLIGEN STECKER STEUN VOOR 7/4-POLIGE WIELAND-STEKKER	SUPPORT POUR PRISE WIELAND 7/4 POLES SOPORTE TOMA WIELAND DE 7/4 POLOS	SUPPORTO PER PRESA WIELAND 7/4 POLI	1
1521	13016845	KABELDURCHFUEHRUNG / GEHÄUSE KABELDOORVOERING	PASSE FIL/CARTER PASACABLES/CÁRTER	PASSAFILO/ CARTER	1
1522	65300969	HALTER F.FEUERUNGSAUTOMAT BT3XX STEUN BT3XX	SUPPORT BT3XX SOPORTE BT3XX	SUPPORTO BT3XX	1
1550	65326869	ANZEIGE FUR FEUERUNGSAUTOMAT BT3XX DISPLAY VOOR BRANDERAUTOMAAT BT3XX	AFFICHEUR POUR COFFRET BT3XX PANTALLA PARA PROGRAMADOR BT3XX	DISPLAY PER APPARECCHIATURA BT3XX	1
2110	13019123	STAUSCHEIBE D74,5/24,5 8SL R +DIFF. D50 STUWPLAAT D74,5/24,5 8SL R +DIFF. D50	DEFLECTEUR D74,5/24,5 8SL R +DIFF. D50 DEFLECTOR D74,5/24,5 8SL R +DIFF. D50	DIFFUSORE D74,5/24,5 8SL R +DIFF. D50	1
	65300547	STAUSCHEIBE D89/30 6SL DOPPELELEKTRODE STUWPLAAT D89/30 6SL DUBBELE ELEKTRODE	DEFLECTEUR D89/30 6SL ELECT.DOUBLE DEFLECTOR D89/30 6SL ELECTRODO DOBLE	DIFFUSORE D89/30 6SL DOPPIO ELETTRODO	1
	65327447	STAUSCHEIBE D95/25 8SL + DÜSE D24.5 STUWPLAAT D95/25 8SL + NOZZLE D24.5	DEFLECTEUR D95/25 8SL + DIFFUSEUR D24.5 DEFLECTOR D95/25 8SL + DIFUSOR D24.5	DIFFUSORE D95/25 8SL + INIETTORE D24.5	1
2130	65105897	ZUENDELEKTRODE D8X61d4/6,4D3X17,5 130° ONTSTEKINGSPEN D8X61d4/6,4D3X17,5 130°	ELECTRODE ALLUM.D8X61d4/6,4D3X17,5 130° ELECTRODO ENCEND.D8X61d4/6,4D3X17,5 130°	ELETTRODO ACCEN.D8X61d4/6,4D3X17,5 130°	1
	65300738	ZUENDELEKTRODENBLOK 12X46 D4 D1,2X10 ELEKTRODENBLOK 12X46 D4 D1,2X10	BLOC-ELECTRODES 12X46 D4 D1,2X10 BLOQUE ELECTRODOS 12X46 D4 D1,2X10	BLOCCO ELETTRODI 12X46 D4 D1,2X10	1
2140	13019125	FLUSSIGE VERSCHLUSS D57 SLUITER LPG D57	OBTURATEUR GAZ GPL D57 OBTURADOR GPL D57	OTTURATORE GAS GPL D57	1
	65108669	STOPFEN GASKOPFAUFSATZ 55X55X8 4 SL.6MM STOP GASKOP 55X55X8 4 SLOT 6MM	CALOTTE TETE GAZ 55X55X8 4 FENTES 6MM TAPÓN CABEZA GAS 55X55X8 4 SLOT 6MM	TAPPO TESTA GAS 55X55X8 4 SLOT 6MM	1
	65321616	STOPF.GASKOPFAUFSATZ 55X55X8 4SL.3,5 LPG STOP GASKOP 55X55X8 4 SL.3,5MM LPG	CALOTTE TETE GAZ 55X55X8 4 F.3,5MM GPL TAPÓN CABEZA GAS 55X55X8 4 SL.3,5MM GPL	TAPPO TESTA GAS 55X55X8 4 SL.3,5MM GPL	1
2150	13018033	SCHUBSTANGE D6 L288 M6/D4,8 STELSTANG D6 L288 M6/D4,8	TIGE REGLAGE D6 L288 M6/D4,8 VARILLA AJUSTE D6 L288 M6/D4,8	ASTA REGOLAZIONE D6 L288 M6/D4,8	1
	13018034	SCHUBSTANGE D6 L407 M6/D4,8 STELSTANG D6 L407 M6/D4,8	TIGE REGLAGE D6 L407 M6/D4,8 VARILLA AJUSTE D6 L407 M6/D4,8	ASTA REGOLAZIONE D6 L407 M6/D4,8	1
	13022192	SCHUBSTANGE D6 L257 M6/D5 STELSTANG D6 L257 M6/D5	TIGE REGLAGE D6 L257 M6/D5 VARILLA AJUSTE D6 L257 M6/D5	ASTA REGOLAZIONE D6 L257 M6/D5	1
	13022193	SCHUBSTANGE D6 L377 M6/D5 STELSTANG D6 L377 M6/D5	TIGE REGLAGE D6 L377 M6/D5 VARILLA AJUSTE D6 L377 M6/D5	ASTA REGOLAZIONE D6 L377 M6/D5	1
	65327461	SCHUBSTANGE D6 L253 M6/D4,8 STELSTANG D6 L253 M6/D4,8	TIGE REGLAGE D6 L253 M6/D4,8 VARILLA AJUSTE D6 L253 M6/D4,8	ASTA REGOLAZIONE D6 L253 M6/D4,8	1
	65327467	SCHUBSTANGE D6 L373 M6/D4,8 STELSTANG D6 L373 M6/D4,8	TIGE REGLAGE D6 L373 M6/D4,8 VARILLA AJUSTE D6 L373 M6/D4,8	ASTA REGOLAZIONE D6 L373 M6/D4,8	1
2160	13010023	GASKOPF L102 D93/30 6 BRANCH. GASKOP L102 D93/30 6 BRANCH.	TETE GAZ L102 D93/30 6 BRANCHES CABEZA GAS L102 D93/30 6 BRANCH.	TESTA GAS L102 D93/30 6 BRANCH.	1
	13010532	GASKOPF L67 D72/22 +O-RING 4 BRANCH. GASKOP L67 D72/22 +O-RING 4 BRANCH.	TETE GAZ L67 D72/22 +O-RING 4 BRANCHES CABEZA GAS L67 D72/22 +O-RING 4 BRANCH.	TESTA GAS L67 D72/22 +O-RING 4 BRANCH.	1
	65327464	GASKOPF D55/30 4 BRANCH. GASKOP D55/30 4 BRANCH.	TETE GAZ D55/30 4 BRANCH. CABEZA GAS D55/30 4 BRANCH.	TESTA GAS D55/30 4 BRANCH.	1
2170	13010529	IONISATIONSSONDE D8X80 D4 D2X27 80° F+S IONISATIEPEN D8X80 D4 D2X27 80° F+S	SONDE IONISATION D8X80 D4 D2X27 80° F+S SONDA IONIZACION D8X80 D4 D2X27 80° F+S	SONDA RIVELAZIONE D8X80 D4 D2X27 80° F+S	1
	65111742	IONISATIONSSONDE D8X61 d4/6,4 D3X30 IONISATIEPEN D8X61 d4/6,4 D3X30	SONDE IONISATION D8X61 d4/6,4 D3X30 SONDA IONIZACION D8X61 d4/6,4 D3X30	SONDA RIVELAZIONE D8X61 d4/6,4 D3X30	1
2180	13013524	ZUENDKABEL D4/D4 L365 AP (X1) ONTSTEKINGSKABEL D4/D4 L365 AP (X1)	CABLE ALLUMAGE D4/D4 L365 AP (X1) CABLE ENCENDIDO D4/D4 L365 AP (X1)	CAVO ACCENSIONE D4/D4 L365 AP (X1)	1
	13014990	ZUENDKABEL D4/D4 L510 AP (X1) ONTSTEKINGSKABEL D4/D4 L510 AP (X1)	CABLE ALLUMAGE D4/D4 L510 AP (X1) CABLE ENCENDIDO D4/D4 L510 AP (X1)	CAVO ACCENSIONE D4/D4 L510 AP (X1)	1
	65327462	ZUENDKABEL D5 L365 CARBON ONTSTEKINGSKABEL D5 L365 CARBON	CABLE ALLUMAGE CARBONE D5 L365 CABLE ENCENDIDO D5 L365 CARBON	CAVO ACCENSIONE D5 L365 CARBON	1
	65327468	ZUENDKABEL D5 L510 CARBON ONTSTEKINGSKABEL D5 L510 CARBON	CABLE ALLUMAGE CARBONE D5 L510 CABLE ENCENDIDO D5 L510 CARBON	CAVO ACCENSIONE D5 L510 CARBON	1
2190	13013525	IONISATIONSKABEL D4 BAN/D4 L350 IONISATIEKABEL D4 BAN/D4 L350	CABLE IONISATION D4 BAN/D4 L350 CABLE IONIZACION D4 BAN/D4 L350	CAVO RIVELAZIONE D4 BAN/D4 L350	1
	13015121	IONISATIONSKABEL MC4/D4 L650 IONISATIEKABEL MC4/D4 L650	CABLE IONISATION MC4/D4 L650 CABLE IONIZACION C4/D4 L650	CAVO RIVELAZIONE MC4/D4 L650	1
2200	13018027	GASBOGEN+ROHR D22X215 T1/KN GASTOEVOERBUIS+BOCHT D22X215 T1/KN	TUBE D'AMENEE GAZ+COUDE D22X215 T1/KN TUBO CONDUCCIÓN GAS+CODO D22X215 T1/KN	TUBO ADDUZIONE GAS+GOMITO D22X215 T1/KN	1
	13018028	GASBOGEN+ROHR D22X335 T2/KL GASTOEVOERBUIS+BOCHT D22X335 T2/KL	TUBE D'AMENEE GAZ+COUDE D22X335 T2/KL TUBO CONDUCCIÓN GAS+CODO D22X335 T2/KL	TUBO ADDUZIONE GAS+GOMITO D22X335 T2/KL	1
	13020258	GASBOGEN+ROHR D30X331 T2/KL GASTOEVOERBUIS+BOCHT D30X331 T2/KL	TUBE D'AMENEE GAZ+COUDE D30X331 T2/KL TUBO CONDUCCIÓN GAS+CODO D30X331 T2/KL	TUBO ADDUZIONE GAS+GOMITO D30X331 T2/KL	1
	13021643	GASBOGEN+ROHR D30X211 T1/KN GASTOEVOERBUIS+BOCHT D30X211 T1/KN	TUBE D'AMENEE GAZ+COUDE D30X211 T1/KN TUBO CONDUCCIÓN GAS+CODO D30X211 T1/KN	TUBO ADDUZIONE GAS+GOMITO D30X211 T1/KN	1

		DE NL	FR ES	IT	X
	65327460	GASBOGEN+ROHR L185 GASTOEVOERBUIJS+BOCHT L185	TUBE D'AMENEE GAZ+COUDE L185 TUBO CONDUCCIÓN GAS+CODO L185	TUBO ADDUZ. GAS+GOMITO L185	1
	65327466	GASBOGEN+ROHR L331 GASTOEVOERBUIJS+BOCHT L331	TUBE D'AMENEE GAZ+COUDE L331 TUBO CONDUCCIÓN GAS+CODO L331	TUBO ADDUZ. GAS+GOMITO L331	1
2210	13018089	O-RING D30X3 O-RING D30X3	O-RING D30X3 O-RING D30X3	O-RING D30X3	1
2250	13020498	BRENNERROHR D115/78/75 L230 BRANDERBUIJS D115/78/75 L230	TUBE DE FLAMME D115/78/75 L230 TUBO DE LLAMA D115/78/75 L230	BOCCAGLIO D115/78/75 L230	1
	13020499	BRENNERROHR D115/78/75 L350 BRANDERBUIJS D115/78/75 L350	TUBE DE FLAMME D115/78/75 L350 TUBO DE LLAMA D115/78/75 L350	BOCCAGLIO D115/78/75 L350	1
	65327459	FLAMMENROHR D115/125/85X230 BRANDERBUIJS D115/125/85X230	TUBE DE FLAMME D115/125/85X230 TUBO DE LLAMA D115/125/85X230	BOCCAGLIO D115/125/85X230	1
	65327465	FLAMMENROHR D115/125/85X350 BRANDERBUIJS D115/125/85X350	TUBE DE FLAMME D115/125/85X350 TUBO DE LLAMA D115/125/85X350	BOCCAGLIO D115/125/85X350	1
	65327469	FLAMMENROHR D115/90/90X230 BRANDERBUIJS D115/90/90X230	TUBE DE FLAMME D115/90/90X230 TUBO DE LLAMA D115/90/90X230	BOCCAGLIO D115/90/90X230	1
	65327470	FLAMMENROHR D115/90/90X350 BRANDERBUIJS D115/90/90X350	TUBE DE FLAMME D115/90/90X350 TUBO DE LLAMA D115/90/90X350	BOCCAGLIO D115/90/90X350	1
2260	13018134	KESSELZUBEHOER D115 EUROFLANSCH BEVESTIGINGSSET KETEL D115 EUROFLENS	ACCESSOIRE CHAUDIERE D115 EUROBRIDE ACCESORIO CALDERA D115 EUROBRIDA	ACCESSORIO CALDAIA D115 EUROFLANGIA	1
	65327457	ANSCHLUSSFLANSCH BG D125 BEVESTIGINGSSET KETEL D125 EUROFLENS	ACCESSOIRE CHAUDIERE D125 EUROBRIDE ACCESORIO CALDERA D125 EUROBRIDA	ACCESSORIO CALDAIA D125 EUROFLANGIA	1
2261	13018135	DICHTUNG/BRENNERFLANSCH 176X176X8 D115 PAKKING MONTAGEFL. 176X176X8 D115	JOINT/BRIDE BRULEUR 176X176X8 D115 JUNTA/BRIDA QUEMADOR 176X176X8 D115	GUARNIZIONE/FLANGIA BRUC. 176X176X8 D115	1
	65327458	DICHTUNG/BRENNERFLANSCH 176X176X8 D125 PAKKING MONTAGEFLENS 176X176X8 D125	JOINT/BRIDE BRULEUR 176X176X8 D125 JUNTA/BRIDA QUEMADOR 176X176X8 D125	GUARNIZIONE/FLANGIA BRUC. 176X176X8 D125	1
2262	13020517	DICHTSCHNUR D115X5X5-377 PAKKING/GEVLOCHTE D115X5X5-377	JOINT/TRESSE D115X5X5-377 JUNTA/TRENZADA D115X5X5-377	GUARNIZIONE/TRECCIA D115X5X5-377	1
	65327463	DICHTSCHNUR D125X5X5-412 PAKKING/GEVLOCHTE D125X5X5-412	JOINT/TRESSE D125X5X5-412 JUNTA/TRENZADA D125X5X5-412	GUARNIZIONE/TRECCIA D125X5X5-412	1
4001	65327258	GASANSCHLUSSROHR KPL VG2/MNC12-21 BT3XX GASCOLLECTORPIJP CPL. VG2/MNC12-21 BT3XX	COLLECTEUR GAZ CPL. VG2/MNC12-21 BT3XX COLECTOR DE GAS ACPL. VG2/MNC12-21 BT3XX	COLLETTORE GAS ACC. VG2/MNC12-21 BT3XX	1
4002	65300527	STELLANTR. STE4,5 B0.37/6-R M.KABEL L600 REGELMOTOR STE 4,5 B0.37/6-R +KABEL L600	SERVOMOTEUR STE4,5 B0.37/6-R +CABLE L600 SERVOMOTOR STE 4,5 B037/6 R+CABLE L600	SERVOMOTORE STE 4,5 B0.37/6-R +CAVO L600	1
4003	13009688	FEDERSTAHLBAND D35X6,5X0,6/1,2 NM VEILIGHEIDSVEER D35X6,5X0,6/1,2 NM	RESSORT SPIRALE PLAT D.35X6,5X0,6/1,2 NM MUELLE RECUPERACION D35X6,5X0,6/1,2 NM	MOLLA SPIRALE PIATTO D35X6,5X0,6/1,2 NM	1
4004	13022709	FLANSCH MBC300 RP3/4 MONTAGEFLENS MBC 300 3/4" M. MEETNIPP.	BRIDE MBC300 RP3/4 BRIDA MBC300 RP3/4	FLANGIA MBC300 RP3/4	1
4005	13009722	MESSNIPPEL GERADE R1/8Z-VERPACKT DRUKAANSLUITING R1/8	PRISE PRESSION R1/8 TOMA PRESIÓN R1/8	PRESA PRESSIONE R1/8	1
4006	13014901	RING D12,8/11,4X10/STELLANTRIEB RING D12,8/11,4X10/REGELMOTOR	BAGUE D12,8/11,4X10/SERVOMOTEUR ANILLO D12,8/11,4X10/SERVOMOTOR	BOCCOLA D12,8/11,4X10/SERVOMOTORE	1
4010	13021869	GASVENTIL MBC300 SE S22 GASKLEP MBC300 SE S22	VANNE GAZ MBC300 SE S22 VALVULA GAS MBC300 SE S22	VALVOLA GAS MBC300 SE S22	1
4011	13010078	GASDRUCKWACHTER GW 150 A5 5-150MB GASDRUKSCHAKELAAR GW 150 A5 5-150MB	MANOSTAT GAZ GW 150 A5 5-150MB PRESOSTATO GAS GW 150 A5 5-150MB	PRESSOSTATO GAS GW 150 A5 5-150MB	1
4012	13022415	FILTEREINSATZ MBC 300 FILTERELEMENT MBC 300	ELEMENT FILTRANT MBC 300 ELEMENTO FILTRANTE MBC 300	ELEMENTO FILTRANTE MBC 300	1
4013	13022709	FLANSCH MBC300 RP3/4 MONTAGEFLENS MBC 300 3/4" M. MEETNIPP.	BRIDE MBC300 RP3/4 BRIDA MBC300 RP3/4	FLANGIA MBC300 RP3/4	1
4014	13009722	MESSNIPPEL GERADE R1/8Z-VERPACKT DRUKAANSLUITING R1/8	PRISE PRESSION R1/8 TOMA PRESIÓN R1/8	PRESA PRESSIONE R1/8	1
4020	13022710	O-RINGSATZ D34,5X3,5+D74X30+D11X2/MBC300 O-RINGSET D34,5X3,5+D74X30+D11X2/MBC300	KIT O-RING D34,5X3,5+D74X30+D11X2/MBC300 KIT O-RING D34,5X3,5+D74X30+D11X2/MBC300	KIT O-RING D34,5X3,5+D74X30+D11X2/MBC300	1

	☰	RU TR	PT	PL	X
1010	13017369	ИЗОЛЯЦИЯ ВОЗДУШНОГО БЛОКА İZOLASYONU HAVA KUTUSU	ISOLAMENTO CAIXA DE ENTRADA DE AR	IZOLACJA OBUDOWA UKŁADU POWIETRZA	1
1015	13022109	ФЛАНЕЦ 82X62X30 D27 ТРУБКА ГАЗОВ.+O-RING FLANŞI 82X62X30 D27 TUPLU GAZ + O-RING	FLANGE 82X62X30 D27 TUBO GAS +O-RING	KOŁNIERZ 82X62X30 D27 BORUSU GAZ.+O-RING	1
1016	13022908	O-КОЛЬЦО 4137 D34,52X3,53 NBR O-RING 4137 D34,52X3,53 NBR	O-RING 4137 D34,52X3,53 NBR	O-RING 4137 D34,52X3,53 NBR	1
1017	13018089	O-КОЛЬЦО D30X3 O-RING D30X3	O-RING D30X3	O-RING D30X3	1
1020	13017363	ЗАСЛОН.РЕЦИРК.ВОЗДУХА 109/102X60 (БЕЛЫЙ) HAVA GERI DONUŞUMU 109/102X60 78° (BEYAZ)	RECICLAGEM DE AR 109/102X60 78° (BRANCO)	RECYRKULACJA POWIE.109/102X60 78° (BIAŁY)	1
	13017364	ЗАСЛОН.РЕЦИРК.ВОЗДУХА 119/114X60(ЧЕРНЫЙ) HAVA GERI DONUŞUMU 119/114X60 78° (SIYAH)	RECICLAGEM DE AR 119/114X60 78° (PRETO)	RECYRKUL.POWIETR. 119/114X60 78°(CZARNY)	1
1030	13009663	ТРАНСФО РОЗЖИГА ЕБИ 2X7,5 230V ATEŞLEME TRAFO. EBI 2X7,5 230V	TRANSFO IGNIÇÃO EBI 2X7,5 230V	TRANSFO ZAPŁONOWY EBI 2X7,5 230V	1
	65300715	ТРАНСФО РОЗЖИГА ЕБИ 1X11 230V ATEŞLEME TRAFO. EBI 1X11 230V+TOPRAK SO.	TRANSFO IGNIÇÃO EBI 1X11 230V	TRANSFOZAPŁ.EBI 1X11 230V+UZIEMI.ZŁĄCZE	1
1040	13010058	УПЛОТНЕНИЕ D2,3/9 KABLO KANALI D2,3/9	PASACABOS PRETO D2,3/9	PRZELOTKA PRZEWODU D2,3/9	1
1041	13021960	ЩИТОК ПАНЕЛИ GAS 61X60 D7,5+2XD9GRAD.L52 GOS.PLAKASI GAZU 61X60 D7,5+2XD9GRAD.L52	PLACA PAINEL GAS 61X60 D7,5+2XD9GRAD.L52	PŁYTA TABLI.GAS 61X60 D7,5+2XD9 GRAD.L52	1
1043	13007808	УПЛОТНЕНИЕ D5/9 (2 КУСКА) ЧЕРНЫЙ KABLO KANALI D5/9 ATEŞLEME KABL. (2PARCA)	PASACABOS D5/9 (2 PECAS) PRETO	PRZELOTKA D5/9 PRZEWÓD ZAPŁON. (2KAWAŁ.)	1
1044	13021961	ТРУБКА Д.6+ФЛАНЕЦ МЕРА ВОЗДУХА BORU D.6+ HAVA OELÇMEK İÇİN FLANŞ	TUBO D.6+ FLANGE MEDIÇÃO DE AR	PRZEWÓD D.6+ KOŁNIERZ DO POMIARU POWIETR	1
1050	13018138	ВОЗДУШНАЯ ЗАСЛОНКА HAVA Klapesi	ALETA DE AR	PRZEPUSTNICA POWIETRZA	1
1060	65300527	СЕРВОДВИГАТ. STE 4,5 B0.37/6-R +КАБЕ. L600 SERVOMOTOR STE 4,5 B0.37/6-R KABLO L600	SERVOMOTOR STE 4,5 B0.37/6-R +CABO L600	SERWOMOTOR STE 4,5 B0.37/6-R +KABEL L600	1
1070	13010012	РАБОЧЕЕ КОЛЕСО D146X52 d12,7 TURBIN D146X52 D12,7	TURBINA D146X52 d12,7	WIMIK D146X52 D12,7	1
	13010095	РАБОЧЕЕ КОЛЕСО D160X52 D12,7 TURBIN D160X52 D12,7	TURBINA D160X52 D12,7	WIMIK D160X52 D12,7	1
1110	65300723	ЧЕХОЛ VECTRON2+ ВИНТ КРЕПЛЕНИЯ MUNAFAZA KARAĞI VECTRON2+BAĞLANTI VIDA	EXTRATOR VECTRON2+PARAFUSO DE FIXAÇÃO	POKRYWA VECTRON2+SRUBA MOCUJĄCA	1
1120	65300519	ВИНТ С ПЛОСКОЙ ГОЛОВКОЙ M5X15 DUZ BAŞLI VIDA M5X15	PARAFUSO CABEÇA PLANA M5X15	ŚRUBA Z ŁBEM NITOWYM PŁASKIM M5X15	1
1130	13013352	ШТУЦЕР УГЛОВОЙ POLYAMIDE 1/8 -D.4 BASINÇ GIRIŞI AR	UNIÃO COTOVELO POLYAMIDE 1/8 -D.4	GNIAZDO POMIARU CIŚNIENIA	1
1140	13015497	ТРУБА D4/7 L500 СИЛИКОНОВЫЙ BORU D4/7 L500 SILIKON	MANGUEIRA D4/7 L500 SILICONE	PRZEWÓD D4/7 L500 SILIKON	1
1160	13010014	ЭЛЕКТРОДВИГАТЕЛЬ 0,13KW230V D12,7 MOTORU 0,13KW 230V D12,7	MOTOR 0,13KW230V D12,7	SILNIK 0,13KW 230V D12,7	1
	65327089	ЭЛЕКТРОДВИГАТЕЛЬ 0,1KW230V D12,7 ПРОБУР. MOTORU 0,1KW 230V D12,7 DELINMIŞ	MOTOR 0,1KW 230V D12,7 PERFURADO	SILNIK 0,1KW 230V D12,7 WYDRAŻONY	1
1165	65300577	КОНДЕНСАТОР 8µF 2P 3mm KONDENSATOR 8µF	CAPACITOR 8µF 2P 3mm	KONDENSATOR 8µF	1
	65325038	КОНДЕНСАТОР 5µF 2P 3mm KONDENSATOR 5µF 2P 3MM	CAPACITOR 5µF 2P 3mm	KONDENSATOR 5µF 2P 3MM	1
1170	13020723	КРОНШТЕЙН ПНЕВМОРЕЛЕ D32 HAVA BASINÇ ŞALTERI MESNEDI D32	BASE MANÓSTATO AR D32	WSPORNIK CZUJNIKA CIŚNI. POWIET. D32	1
1180	13020502	РЕЛЕ ДАВ. ВОЗДУХА 604.91 0,5-5MB+RAST HAVA BASINÇ ŞALT. 604.91 0,5-5MB+RAST	MANÓSTATO DE AR 604.91 0,5-5MB+RAST	CZUJNIK CIŚ. POW. 604.91 0,5-5MB+RAST	1
1190	65327445	УПЛОТНЕНИЕ ВСПЕНЕННОЕ EPDM D2,3 L350 KÖRÜKLÜ MÜNÜR EPDM D2,3 L350	SELO ESPUMADO EPDM D2,3 L350	USZCZELNIENIE SPIENIONE EPDM D2,3 L350	1
1501	65300964	БЛОК УПРАВЛЕНИЯ LCG 911 BT320 KUTU LCG 911 BT320	PROGRAMADOR LCG 911 BT320	MODUŁ LCG 911 BT320	1
1502	65300965	КАБЕЛЬ ЭЛ.ДВИГАТЕЛЬ+P.3P/RAST3P L290 BT3 MOTORU KABLOSU+PLUG3P/RAST3P L290 BT3xx	CABO MOTOR+TOMADA 3P/RAST3P L290 BT3xx	PRZEWÓD SILNIK+PLUG3P/RAST3P L290 BT3xx	1
1503	65300966	КАБЕЛЬ ТРАНС.РОЗЖИ.+PL.3P/RAST3P L250BT3 KABLOSU ATEŞL.TRAFO.+3P/RAST3P L250 BT3	CABO TRAN.IGNIÇÃO+TOM.3P/RAST3P L250 BT3	PRZEWÓD TRAN.ZAPŁ.+PLUG3P/RAST3P L250BT3	1
1504	65300967	КАБЕЛЬ ГАЗО.КЛАПАН+PL.DIN/2XRAST3P L2000 GAZ VANASI KABLOSU+PL.DIN/2XRAST3P L2000	CABO VALVULA GAS+TOM.DIN/2XRAST3P L2000	PRZEWÓD ZAWÓR GAZOWY+DIN/2XRAST3P L2000	1
1505	65300968	КАБЕЛЬ Р.ДАВ.ГАЗА+PL.DIN/RAST3P L1500BT3 GAZ BAS.ŞALT.KABLOSU+DIN/RAST3P L1500BT3	CABO PRESSOST.GAS+T.DIN/RAST3P L1500BT3	PRZEWÓD CZUJ.CIŚ.GAZ+DIN/RAST3P L1500BT3	1
1506	65300970	КАБЕЛЬ ИОНИЗАЦ. RAST4P/D4F L350BT3 İYONIZASYON KABLOSU RAST4P/D4 F L350 BT3	CABO IONIZACION RAST4P/D4 F L350 BT3xx	PRZEWÓD JONIZACYJNY RAST4P/D4 F L350 BT3	1
1507	65300971	КАБЕЛЬ+PLUGWIE. 7P/3XRAST3P L370 KABLOSU+PLUGWIE. 7P/3XRAST3P L370	CABO+TOMADA WIEL.7P/3XRAST3P L370	PRZEWÓD+PLUGWIE. 7P/3XRAST3P L370	1
1508	65300972	КАБЕЛЬ+PLUGWIE. 4P/RAST3P L350 KABLOSU+PLUGWIE. 4P/RAST3P L350	CABO+TOMADA WIEL.4P/RAST3P L350	PRZEWÓD+PLUGWIE. 4P/RAST3P L350	1
1509	65301111	КАБЕЛЬ СЕРВОДВИГАТЕЛЬ+PL.6P/RAST6P L1400 SERVOMOTOR KABLOSU+PLUG6P/RAST6P L1400	CABO SERVOMOTOR STE+RAST6P/6P L1400	PRZEWÓD SERWOMOTOR+PLUG6P/RAST6P L1400	1

		 			
1510	65300727	ОПОРА БЛОКА УПРАВЛЕНИЯ+ДИСПЛЕЙ KUTU DESTEĞİ+EKRAN	SUPORTE UNIDADE DE CONTROLE+VISOR	WSPORNIK MODUŁU+WYŚWIETLACZ	1
1511	65300048	КАБЕЛЬ Р.ДАВ. ВОЗДУХА+RAST2P/2X0,75 L430 HAVA BAS,ŞALT.KABLOSU+RAST2P/2X0,75 L430	CABO PRESSOST.AR+RAST2P/2X0,75 L430	PRZEWÓD CZUJ.CIŚ.POW.+RAST2P/2X0,75 L430	1
1515	65300974	ДЕРЖАТЕЛЬ ПРОХОДНОЙ МУФТА ДЛЯ ПРОВОДА KABLO KANALLARI DESTEĞİ	SUPORTE FUNIL	WSPORNIK PRZELOTKI	1
1520	65300973	ДЕРЖАТЕЛЬ 7/4-КОНТАКТНЫЙ РАЗЪЕМ WIELAND 7/4 KUTUPLU WIELAND GIRIŞ DESTEĞİ	SUPPORT WIELAND 4 + 7 POLES	WSPORNIK GNIAZDO WIELAND 7/4-BIEGUNOWE	1
1521	13016845	МУФТА ПРОПУСКА ПРОВОДА/КАРТЕР KABLO KANALI/KARTER	PASSA-CABOS/CAIXA	PRZELOTKA PRZEWODU/OBUDOWA	1
1522	65300969	ДЕРЖАТЕЛЬ BT3XX DESTEĞİ BT3XX	BRIDE BT 300	WSPORNIK BT3XX	1
1550	65326869	ДИСПЛЕЙ БЛОКА УПРАВЛЕНИЯ BT3XX EKAN KUTU BT3XX	VISOR UNIDADE DE CONTROLE BT3XX	WYŚWIETLACZ MODUŁ BT3XX	1
2110	13019123	ДЕФЛЕКТОР D74,5/24,5 8SL R +DIFF. D50 DEFLEKTOR D74,5/24,5 8SL R +DIFF. D50	DEFLECTOR D74,5/24,5 8SL R +DIFF. D50	DEFLEKTOR D74,5/24,5 8SL R +DIFF. D50	1
	65300547	ДЕФЛЕКТОР D89/30 6SL ДВОЙНОЙ ЭЛЕКТРОД DEFLEKTOR D89/30 6SL ÇİFT ELEKTROD	DEFLECTOR D89/30 6SL ELETRODO DUPLO	DEFLEKTOR D89/30 6SL ELEKTRODA PODWÓJNA	1
	65327447	ДЕФЛЕКТОР D95/25 8SL + ДИФФУЗОРЫ D24.5 DEFLEKTOR D95/25 8SL + DIFUZÖRLER D24.5	DEFLECTOR D95/25 8SL + DIFUSOR D24.5	DEFLEKTOR D95/25 8SL + DYSZ D24.5	1
2130	65105897	ЭЛЕКТРОД ЗАЖИГАН D8X61d4/6,4D3X17,5 130° ATEŞLEYİCİ ELEKT.D8X61d4/6,4D3X17,5 130°	ELETRODO ENCEND.D8X61d4/6,4D3X17,5 130°	ELEKTRODA ALU.D8X61d4/6,4D3X17,5 130°	1
	65300738	БЛОК ЭЛЕКТРОДОВ 12X46 D4 D1,2X10 ELEKTROD BLOĞU 12X46 D4 D1,2X10	BLOCO ELETRODO 12X46 D4 D1,2X10	BLOK ELEKTROD 12X46 D4 D1,2X10	1
2140	13019125	ЗАТВОР LPG D57 OBTURATOR LPG D57	OBTURADOR GPL D57	ZALUZJA LPG D57	1
	65108669	КРЫШКА ОГНЕВАЯ ГОЛОВКА 55X55X8 4 SLOT 6 TAPA GAZ KAFA 55X55X8 4 SLOT 6MM	TAMPA CABEÇA GAS 55X55X8 4 SLOT 6MM	NAKR.GŁOWICA GAZ 55X55X8 4 SLOT 6MM	1
	65321616	КРЫШКА ОГНЕВАЯ ГОЛОВКА 55X55X8 4 SL.3,5 TAPA GAZ KAFA 55X55X8 4 SL.3,5MM LPG	TAMPA CABEÇA GAS 55X55X8 4 SL.3,5MM GPL	NAKR.GŁOWICA GAZ 55X55X8 4 SL.3,5MM LPG	1
2150	13018033	РЕГУЛИР.СТЕРЖЕНЬ D6 L288 M6/D4,8 AYAR ÇUBUĞU D6 L288 M6/D4,8	HASTE AJUSTE D6 L288 M6/D4,8	TRZPIEŃ REGULACYJNY D6 L288 M6/D4,8	1
	13018034	РЕГУЛИР.СТЕРЖЕНЬ D6 L407 M6/D4,8 AYAR ÇUBUĞU D6 L407 M6/D4,8	HASTE AJUSTE D6 L407 M6/D4,8	TRZPIEŃ REGULACYJNY D6 L407 M6/D4,8	1
	13022192	РЕГУЛИР.СТЕРЖЕНЬ D6 L257 M6/D5 AYAR ÇUBUĞU D6 L257 M6/D5	HASTE AJUSTE D6 L257 M6/D5	TRZPIEŃ REGULACYJNY D6 L257 M6/D5	1
	13022193	РЕГУЛИР.СТЕРЖЕНЬ D6 L377 M6/D5 AYAR ÇUBUĞU D6 L377 M6/D5	HASTE AJUSTE D6 L377 M6/D5	TRZPIEŃ REGULACYJNY D6 L377 M6/D5	1
	65327461	РЕГУЛИР.СТЕРЖЕНЬ D6 L253 M6/D4,8 AYAR ÇUBUĞU D6 L253 M6/D4,8	HASTE AJUSTE D6 L253 M6/D4,8	TRZPIEŃ REGULACYJNY D6 L253 M6/D4,8	1
	65327467	РЕГУЛИР.СТЕРЖЕНЬ D6 L373 M6/D4,8 AYAR ÇUBUĞU D6 L373 M6/D4,8	HASTE AJUSTE D6 L373 M6/D4,8	TRZPIEŃ REGULACYJNY D6 L373 M6/D4,8	1
2160	13010023	ОГНЕВАЯ ГОЛОВКА L102 D93/30 6 BRANCH. GAZ KAFA L102 D93/30 6 BRANCH.	CABEÇA GAS L102 D93/30 6 BRANCH.	GŁOWICA GAZ L102 D93/30 6 BRANCH.	1
	13010532	ОГНЕВАЯ ГОЛ. L67 D72/22 +O-RING 4 BRANCH. GAZ KAFA L67 D72/22 +O-RING 4 BRANCH.	CABEÇA GAS L67 D72/22 +O-RING 4 BRANCH.	GŁOWICA GAZ L67 D72/22 +O-RING 4 BRANCH.	1
	65327464	ОГНЕВАЯ ГОЛОВКА D55/30 4 BRANCH. GAZ KAFA D55/30 4 BRANCH.	CABEÇA GAS D55/30 4 BRANCH.	GŁOWICA GAZ D55/30 4 BRANCH.	1
2170	13010529	ДАТЧИК ИОНИЗ. D8X80 D4 D2X27 80° F+S İYONIZASYON SONDA D8X80 D4 D2X27 80° F+S	SONDA IONIZACION D8X80 D4 D2X27 80° F+S	SONDA JONIZACYJNY D8X80 D4 D2X27 80° F+S	1
	65111742	ДАТЧИК ИОНИЗАЦИОННОГО D8X61 d4/6,4 D3X30 İYONIZASYON SONDA D8X61 d4/6,4 D3X30	SONDA IONIZACION D8X61 d4/6,4 D3X30	SONDA JONIZACYJNY D8X61 d4/6,4 D3X30	1
2180	13013524	КАБЕЛЬ РОЗЖИГА D4/D4 L365 AP (X1) ATEŞLEME KABLOSU D4/D4 L365 AP (X1)	CABO IGNIZACAO D4/D4 L365 AP (X1)	PRZEWÓD ZAPŁONOWY D4/D4 L365 AP (X1)	1
	13014990	КАБЕЛЬ РОЗЖИГА D4/D4 L510 AP (X1) ATEŞLEME KABLOSU D4/D4 L510 AP (X1)	CABO IGNIZACAO D4/D4 L510 AP (X1)	PRZEWÓD ZAPŁONOWY D4/D4 L510 AP (X1)	1
	65327462	КАБЕЛЬ РОЗЖИГА D5 L365 CARBON ATEŞLEME KABLOSU D5 L365 CARBON	CABO IGNIZACAO D5 L365 CARBON	PRZEWÓD ZAPŁONOWY D5 L365 CARBON	1
	65327468	КАБЕЛЬ РОЗЖИГА D5 L510 CARBON ATEŞLEME KABLOSU D5 L510 CARBON	CABO IGNIZACAO D5 L510 CARBON	PRZEWÓD ZAPŁONOWY D5 L510 CARBON	1
2190	13013525	КАБЕЛЬ ИОНИЗАЦ. D4 BAN/D4 L350 İYONIZASYON KABLOSU D4 BAN/D4 L350	CABO IONIZACION D4 BAN/D4 L350	PRZEWÓD JONIZACYJNY D4 BAN/D4 L350	1
	13015121	КАБЕЛЬ ИОНИЗАЦ. MC4/D4 L650 İYONIZASYON KABLOSU MC4/D4 L650	CABO IONIZACION MC4/D4 L650	PRZEWÓD JONIZACYJNY MC4/D4 L650	1
2200	13018027	ТРУБКА ПОДВОДА ГАЗА+КОЛЕНО D22X215 T1/KN GAZ GELİŞ BORUSU+DIRSEK D22X215 T1/KN	TUBO ENTRADA GÁS+COTOVELO D22X215 T1/KN	PRZEWÓD DOPROWAD.GAZU+KOL. D22X215 T1/KN	1
	13018028	ТРУБКА ПОДВОДА ГАЗА+КОЛЕНО D22X335 T2/KL GAZ GELİŞ BORUSU+DIRSEK D22X335 T2/KL	TUBO ENTRADA GÁS+COTOVELO D22X335 T2/KL	PRZEWÓD DOPROWAD. GAZU+KOL D22X335 T2/KL	1
	13020258	ТРУБКА ПОДАЧИ ГАЗА+КОЛЕНО D30X331 T2/KL GAZ GELİŞ BORUSU+DIRSEK D30X331 T2/KL	TUBO ENTRADA GÁS+COTOVELO D30X331 T2/KL	PRZEWÓD DOPROWAD.GAZU+KOL. D30X331 T2/KL	1
	13021643	ТРУБКА ПОДАЧИ ГАЗА+КОЛЕНО D30X211 T1/KN GAZ GELİŞ BORUSU+DIRSEK D30X211 T1/KN	TUBO ENTRADA GÁS+COTOVELO D30X211 T1/KN	PRZEWÓD DOPROWAD.GAZU+KOL. D30X211 T1/KN	1







