



## SPARE PARTS EXPLODED VIEW GAS BURNERS

Model

### CB-VG2 V E

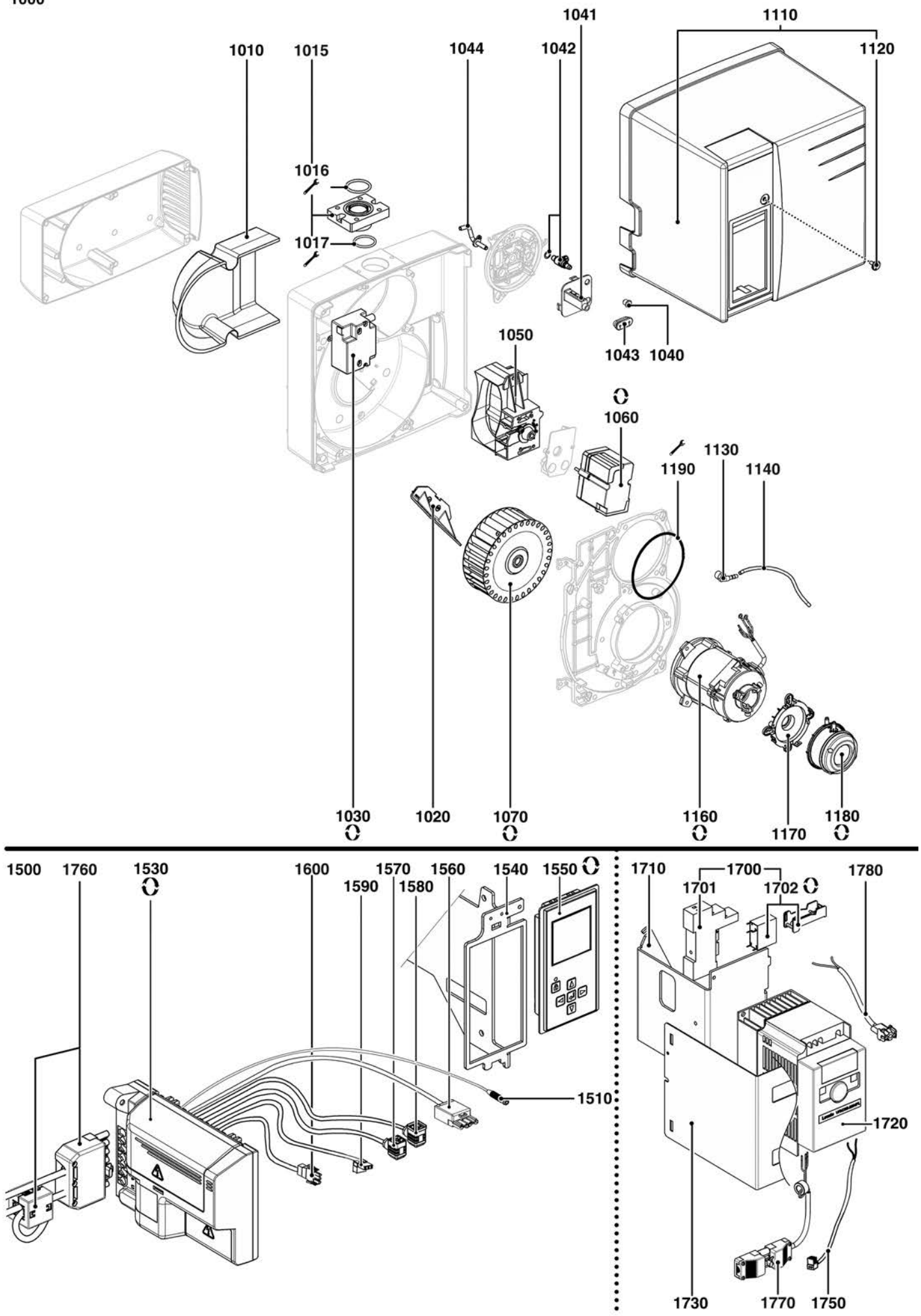
R8220275-02 - 07/11/2018

CB-VG2 V E

Gas burners

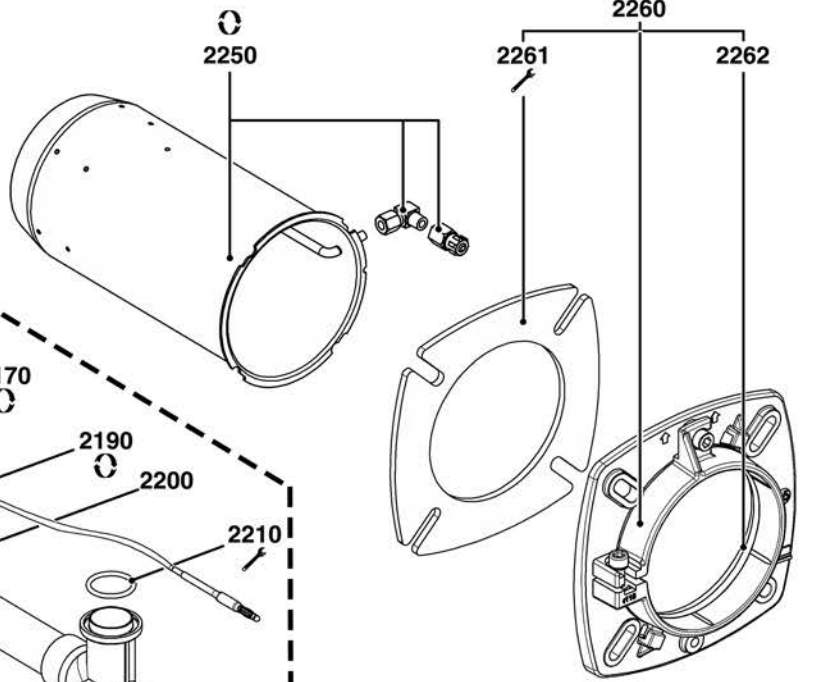
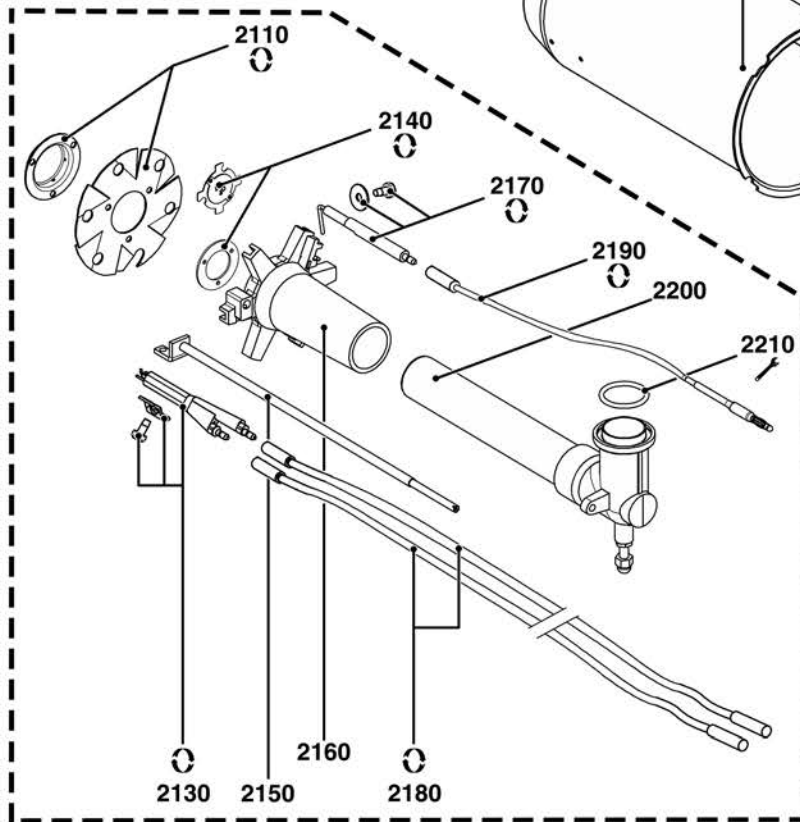
1	3836438	CB-VG2.205 V E D345-3/4" RP3/4" KN	09-2018	-
2	3836439	CB-VG2.205 V E D345-3/4" RP3/4" KL	09-2018	-
3	3836440	CB-VG2.205 V E D346-3/4" RP3/4" KN	09-2018	-
4	3836441	CB-VG2.205 V E D346-3/4" RP3/4" KL	09-2018	-
5	3836436	CB-VG2.205 V E D348 -1*1/4 RP1*1/4 KN	09-2018	-
6	3836437	CB-VG2.205 V E D348 -1*1/4 RP1*1/4 KL	09-2018	-
Col	Reference	Model type	Begin	End

1000

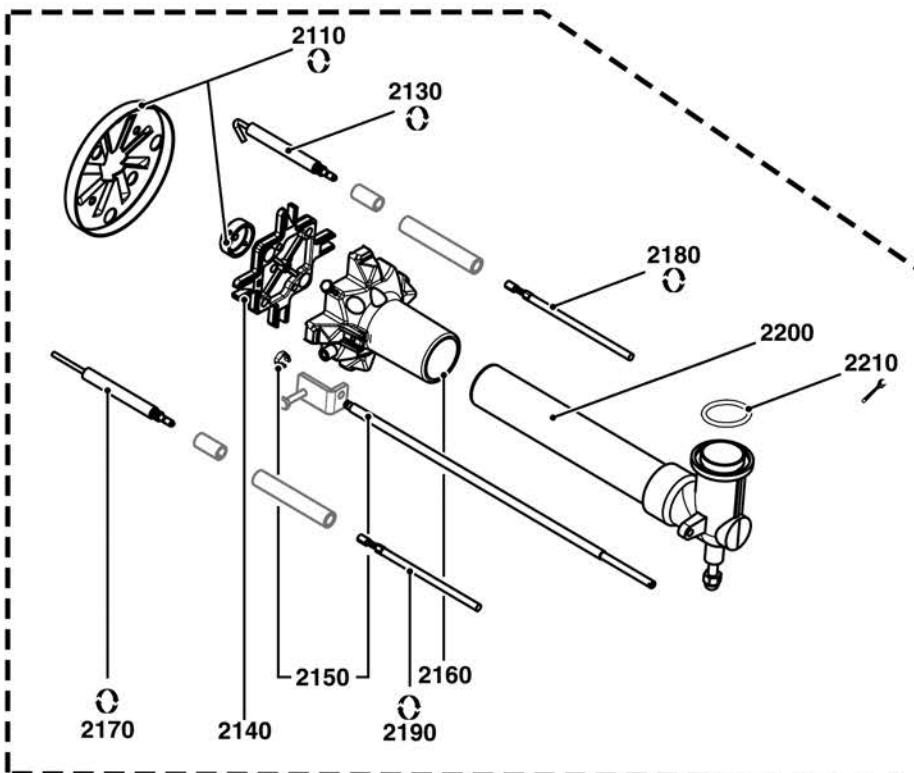




120/140/160 kW



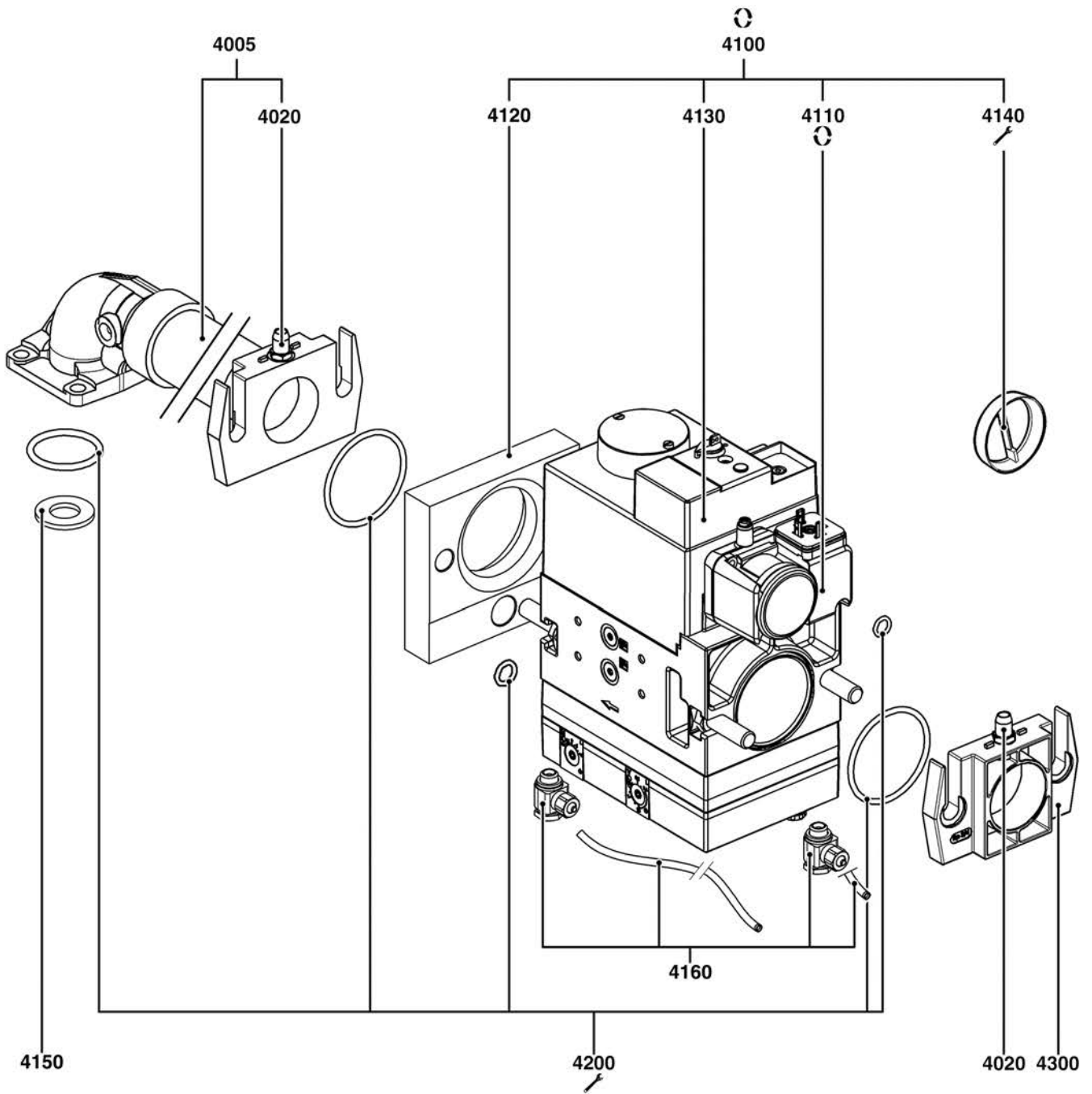
205 kW



☉⇒	Description	Manf. Pt. N	Type	<div style="display: flex; justify-content: space-between; font-size: small;"> <span>CB-VG208 V E D365/4 PP34 V N</span> <span>CB-VG208 V E D365/4 PP34 V L</span> <span>CB-VG208 V E D365/4 PP34 V N</span> <span>CB-VG208 V E D365/4 PP34 V L</span> <span>CB-VG208 V E D365/4 PP34 V N</span> <span>CB-VG208 V E D365/4 PP34 V L</span> </div>																		From	to
				1	2	3	4	5	6	7	8	9	10	11	12	13	14	15	16	17	18		
2000	<b>COMBUSTION HEAD</b>																						
2110	BAFFLE PLATE D95/25 8SL + NOZZLE D24.5	65327447		●	●	●	●	●	●														
2130	IGNIT.ELECTRODE D8X61d4/6,4D3X17,5 130°	65105897		●	●	●	●	●	●														
2140	CAP FIRING HEAD 55X55X8 4 SLOT 6MM	65108669	NAT.G.	●	●	●	●	●	●														
	CAP STAR GAS HEAD 55X55X8 4 SL.3.5MM LPG	65321616	LPG	●	●	●	●	●	●														
2150	ADJUST ROD D6 L253 M6/D4,8	65327461		●	●			●															
	ADJUST ROD D6 L373 M6/D4,8	65327467			●			●															
2160	GAS HEAD D55/30 4 BRANCH.	65327464		●	●	●	●	●	●														
2170	IONISATION PROBE D8X61 d4/6,4 D3X30	65111742		●	●	●	●	●	●														
2180	IGNITION CABLE D5 L365 CARBON	65327462		●		●		●															
	IGNITION CABLE D5 L510 CARBON	65327468			●		●		●														
2190	IONISATION CABLE D4 BAN/D4 L350	13013525		●		●		●															
	IONISATION CABLE MC4/D4 L650	13015121			●		●		●														
2200	GAS INLET TUBE+ELBOW L185	65327460		●		●		●															
	GAS INLET TUBE+ELBOW L331	65327466			●		●		●														
2210	O-RING D30X3	13018089		●	●	●	●	●	●														
2250	FLAME TUBE D115/125/85X230 AGP	65327486		●		●		●															
	FLAME TUBE D115/125/85X350 AGP	65327487			●		●		●														
2260	BOILER ACCESSORY D125 EUROFLANGE	65327457		●	●	●	●	●	●														
2261	GASKET/BURNER FLANGE 176X176X8 D125	65327458		●	●	●	●	●	●														
2262	GASKET/BRAID D125X5X5-412	65327463		●	●	●	●	●	●														

CB-VG2 V E

Gas burners





		DE NL	FR ES	IT	
1010	13017369	ISOLIERUNG 220x158 LUFTKASTEN ISOLATIE LUCHTKAST	ISOLATION BOITE A AIR AISLAMIENTO CAJA DE AIRE	ISOLAMENTO SCATOLA DELL'ARIA	1
1015	13022109	FLANSCH 82X62X30 D27 GASROHR + O-RING FLENS 82X62X30 D27 GASBUSI + O-RING	BRIDE 82X62X30 D27 TUBE GAZ + O-RING BRIDA 82X62X30 D27 TUBERIA GAS + O-RING	FLANGIA 82X62X30 D27 TUBO GAS + O-RING	1
1016	13022908	O-RING 4137 D34,52X3,53 NBR O-RING 4137 D34,52X3,53 NBR	O-RING 4137 D34,52X3,53 NBR O-RING 4137 D34,52X3,53 NBR	O-RING 4137 D34,52X3,53 NBR	1
1017	13018089	O-RING D30X3 O-RING D30X3	O-RING D30X3 O-RING D30X3	O-RING D30X3	1
1020	13017364	ANSAUGLUFTFUEHR. 119/114X60 78°(SCHWARZ) LUCHTGLEIDUNG 119/114X60 78° (ZWART)	RECYCLAGE AIR 119/114X60 78° (NOIR) RECICLAJE DE AIRE 119/114X60 78° (NEGRO)	CONVOGLIATORE ARIA 119/114X60 78° (NERO)	1
1030	13009663	2UENDTRAF0 EBI 2X7,5 230V ONTSTEEKINGSTRAFO EBI 2X7,5 230V	ALLUMEUR EBI 2X7,5 230V ENCENDEDOR EBI 2X7,5 230V	TRASFO. ACC. EBI 2X7,5 230V+PRESA TERRA	1
1040	13010058	TUELLE KABEL SCHWARZ D2,3/9 DRAADDOORVOER ZWART D2,3/9	PASSE-CABLE D2,3/9 PLASTIQUE NOIR PASACABLE NEGRO D2,3/9	PASSACAVO NERO D2,3/9	1
1041	65327295	GAS DECKPLATTE 60X60/SKALA L52 AFDEKPLAAT GAS 60X60 GRADUATIE L52	PLAQUET.TAB.DE BORD GAZ 60X60 GRADUE L52 PLACA PANEL GAS 60X60 GRADUADA L52	PIASTRINA GAS 60X60 GRADUATA L52	1
1042	13015502	LUFTDRUCKNIPPEL DRUKMEETAANSLUITING	PRISE DE PRESSION D'AIR TOMA DE PRESIÓN	PRESA DI PRESSIONE	1
1043	13017148	TUELLE 34X15/12 - 2XD3,25 DRAADDOORVOER 34X15/12 - 2XD3,25	PASSE-CABLE 34X15/12 - 2XD3,25 PASSACABLE 34X15/12 - 2XD3,25	PASSACAVO 34X15/12 - 2XD3,25	1
1044	13021961	CU-ROHR D6+FLANSCH F.LUFTMES BUIS D.6+FLENS VOOR METING VAN DE LUCHT	TUBE D.6+BRIDE POUR MESURE D'AIR TUBO D.6+ BRIDA PARA MEDICIÓN DE AIRE	TUBO D.6+ FLANGIA DI MISURA PER L'ARIA	1
1050	13018138	LUFTKLAPPEN BG LUCHTKLEP COMPLEET	VOLET D'AIR VÁLVULA DE AIRE	SERRANDA DELL'ARIA	1
1060	65300527	STELLANTR. STE4,5 B0.37/6-R M.KABEL L600 REGLMOTOR STE 4,5 B0.37/6-R +KABEL L600	SERVOMOTEUR STE4,5 B0.37/6-R +CABLE L600 SERVOMOTOR STE 4,5 B037/6 R+CABLE L600	SERVOMOTORE STE 4,5 B0.37/6-R +CAVO L600	1
1070	13010095	VENTILATORRAD D160X52 D12,7 VENTILATORWIEL D160X52 D12,7	TURBINE D160X52 D12,7 TURBINA D160X52 D12,7	VENTOLA D160X52 D12,7	1
1110	65300723	BRENNERHAUBE VECTRON2+SCHRAUBE BRANDERKAP V-L /G2 + BEV.SCHROEF	CAPOT VECTRON2+VIS CUBIERTA VECTRON2+TORNILLO DE FIJACIÓN	COFANO VECTRON2+VITE DI FISSAGGIO	1
1120	65300519	FLACHKOPF-SCHRAUBE M5X15+SPITZE PLATKOPPSCHROEF M5X15	VIS A TETE PLATE M5X15 TORNILLO DE CABEZA PLANA M5X15	VITE A TESTA PIANA M5X15	1
1130	13013352	WINKELVERSCHRAUBUNG POLYAMIDE 1/8-D.4 AANSLUITING GEBOGEN POLYAMIDE 1/8 -D.4	RACCORD COUDE POLYAMIDE 1/8-D.4 RACOR ACODADO POLYAMIDE 1/8 -D.4	RACCORDO GOMITO POLYAMIDE 1/8 -D.4	1
1140	13015497	SCHLAUCH ID4/7X500 SILIKON TRANSPARENT SLANG D4/7 L500 SILIKON	TUYAU D4/7 L500 SILICONE MANGUERA D4/7 L500 SILICONA	TUBETTO D4/7 L500 SILICONE	1
1160	65301172	MOTOR 0,25KW230V D12,7 TRI C111 MOTOR 0,25KW230V D12,7 TRI C111	MOTEUR 0,25KW230V D12,7 TRI C111 MOTOR 0,25KW230V D12,7 TRI C111	MOTORE 0,25KW230V D12,7 TRI C111	1
1170	13020723	HALTER D32 LUFTDRUCKWAECHTER HUB LUCHTDRUKSCHAKELAAR STEUN D32	SUPPORT MANOSTAT AIR D32 SOPORTE DEL MANOSTATO DE AIRE D32	SUPPORTO PRESSOSTATO DELL'ARIA D32	1
1180	13020502	LUFTDRUCKWAECHTER 604.91 0,5-5MB+RAST LUCHTDRUKSCHAKELAAR 604.91 0,5-5MB+RAST	MANOSTAT AIR 604.91 0,5-5MB+RAST PRESOSTATO AIRE 604.91 0,5-5MB+RAST	PRESSOSTATO ARIA 604.91 0,5-5MB+RAST	1
1190	65327445	DICHTUNG D2,3 L350 EPDM GESCHÄUMT SEALSCHUIM EPDM D2,3 L350	JOINT EN MOUSSE EPDM D2,3 L350 JUNTA DE ESPUMA EPDM D2,3 L350	GUARNIZIONE D2,3 L350 IN EPDM ESPANSO	1
1510	65300158	IONISATIONS KABEL MC4/RAST1P L350 IONISATIEKABEL MC4/RAST1P L350	CABLE IONISATION MC4/RAST1P L350 CABLE IONIZACION MC4/RAST1P L350	CAVO RIVELAZIONE MC4/RAST1P L350	1
1530	65301179	FEUERUNGSAUTOMAT TCG 811.00 BRANDERAUTOMAAT TCG 811.00	COFFRET TCG 811.00 PROGRAMADOR TCG 811.00	APPARECCHIATURA TCG 811.00	1
1540	65300727	HALTER Z.FEUERUNGSU.ANZEIGE STEUN VAN DE AUTOMAAT+DISPLAY	SUPPORT COFFRET+AFFICHEUR SOPORTE DEL CAJETÍN+PANTALLA	SUPPORTO PROGRAMM.+VISUALIZZ.	1
1550	65301109	ANZEIGE/FEUERUNGSU.TCG-TCH R.2.2 + KABEL AANWIJS EN BEDIENENHEID TCG/TCH R.2.2	AFFICHEUR/COFFRET TCG-TCH REL. 2.2 PANTALLA P. PROGRAMADOR TCG-TCH REL.2.2	DISPLAY PER APPARECCHIA.TCG-TCH REL.2.2	1
1560	65300531	KABEL+STECKER WIE. 4P/RAST3P L250 KABEL+STECKER WIE. 4P/RAST3P L250	CABLE+PRISE WIE. 4P/RAST3P L250 CABLE+TOMA WIE. 4P/RAST3P L250	CAVO+PRESA WIE. 4P/RAST 3P L250	1
1570	65300648	KABEL GASVENTIL+STCK DIN/RAST5P L1500AGP KABEL GASKLEP+STCKDIN/RAST5P L1500 AGP	CABLE VANNE GAZ+PRI.DIN/RAST5P L1500 AGP CABLE VALVULA GAS+TO.DIN/RAST5P L1500AGP	CAVO VALVOLA GAS+PRE.DIN/RAST5P L1500AGP	1
1580	13023698	KABEL GDW.+STECKER DIN/RAST2P L1500 G.DRUKSCHAKEL.KABEL+STCKDIN/RAST2P L1500	CABLE MANO GAZ+PRISE DIN/RAST2P L1500 CABLE PRESOST.AIRE+TOMA DIN/RAST2P L1500	CAVO PRESSOST.GAS+PRESA DIN/RAST2P L1500	1
1590	65300619	KABEL ZÜNDTRAF0+STCK 2P/RAST2P L350 ONTSTEEKINGSTRAFOKAB.+STEK.2P/RAST2P L350	CABLE ALLUMEUR+PRISE 2P/RAST2P L350 CABLE ENCENDEDOR+TOMA 2P/RAST2P L350	CAVO TRASFO ACCENS.+PRESA 2P/RAST2P L350	1
1600	13010519	KABEL MOTOR+STECKER 3P/RAST3P L300 KABEL MOTOR+STCK3P/RAST3P L300	CABLE MOTEUR+PRISE 3P/RAST3P L300 CABLE MOTOR+TOMA 3P/RAST3P L300	CAVO MOTORE+PRESA 3P/RAST3P L300	1
1700	13017722	RELAIS-SET 40.52 250V 8A FINDER SET RELAIS	RELAIS+SUPP. 2RT 8A AGNI 230V RELÉ+SOPORTE 2RT 8A AGNI 230V	RELE 2RT+ZOCOCCO FINDER 55.34	1
1701	13017720	RELAISOCKEL 95.05 FIN HOUDER RELAIS FIN 95.05	SUPPORT RELAIS FIN 95.05 SOPORTE RELÉ FIN 95.05	SUPPORTO RELÉ FIN 95.05	1
1702	13017721	RELAIS + KLAMMER RELAIS + CLIP	RELAIS + CLIP RELÉ + CLIP	RELÉ + CLIP	1
1710	65301173	HALTER DREHZAHLEGLER STEUN FREQUENTIEREGELAAR	SUPPORT VARIATEUR SOPORTE DEL VARIADOR	SUPPORTO VARIATORE	1
1720	65301161	FREQ.UMRICHTER VFNC3S-2004 PL 0,4KW FREQ.OMVORMER VFNC3S-2004 PL 0,4KW	VARIATEUR FREQ. VFNC3S-2004 PL 0,4KW CONVERTIDOR FREQ. VFNC3S-2004 PL 0,4KW	VARIATORE FREQ. VFNC3S-2004 PL 0,4KW	1

☰	XXXXXXXX	DE	FR	IT	X
		NL	ES		
1730	65301175	ABDECKUNG DREHZAHLEGLER VFN KAP FREQUENTIEREGELAAR	CAPOT VARIATEUR CUBIERTA VARIADOR	COPERCHIO VARIATORE	1
1750	65301163	KABEL FREQUENZUMRIC.+STCK 2P 2X0,75 L910 KABEL REQ.OMVORMER +STCK2P 2X0,75 L910	CABLE VARIATEUR+PRISE 2P 2X0,75 L910 CABLE CONVERT.FREQ.+TOMA 2P 2X0,75 L910	CAVO VARIATOR.FREQ.+PRESA 2P 2X0,75 L910	1
1760	65301164	KABEL+STCK 7P/STCK 7P L450+RKCF13-A5 KABEL+STCK7P/STCK7P L450+RKCF13-A5	CABLE+PRISE 7P/PRISE 7P L450+RKCF13-A5 CABLE+TOMA 7P/TOMA 7P L450+RKCF13-A5	CAVO+PRESA 7P/PRESA 7P L450+RKCF13-A5	1
1770	65301165	KABEL FREQUENZUMR.+STCK3P M+F 3X0,75L270 KABEL FREQ.OMVORM.+STCK3P M+F 3X0,75L270	CABLE VARIATEUR+PRISE 3P M+F 3X0,75 L270 CABLE CONVERT.FREQ.+TO.3P M+F 3X0,75L270	CAVO VARIAT.FREQ.+PRES.3P M+F 3X0,75L270	1
1780	65301167	KABEL RELAY/F.AUTOMAT+STCK 3P 2X0,75L310 KABEL RELAY/BR.AUTOMAAT+S. 3P/2X0,75L310	CABLE RELAIS/COFFRET+PRISE 3P 2X0,75L310 CABLE RELE/PROGRAM.+TOMA 3P 2X0,75 L310	CAVO RELE/APPARECH.+PRESA 3P 2X0,75 L310	1
2110	65327447	STAUSCHEIBE D95/25 8SL + DÜSE D24.5 STUWPLAAT D95/25 8SL + NOZZLE D24.5	DEFLECTEUR D95/25 8SL + DIFFUSEUR D24.5 DEFLECTOR D95/25 8SL + DIFUSOR D24.5	DIFFUSORE D95/25 8SL + INIETTORE D24.5	1
2130	65105897	ZUENDELEKTRODE D8X61d4/6,4D3X17,5 130° ONTSTEKINGSPEN D8X61d4/6,4D3X17,5 130°	ELECTRODE ALLUM.D8X61d4/6,4D3X17,5 130° ELECTRODO ENCEND.D8X61d4/6,4D3X17,5 130°	ELETTRODO ACCEN.D8X61d4/6,4D3X17,5 130°	1
2140	65108669	STOPFEN GASKOPFAUFSATZ 55X55X8 4 SL.6MM STOP GASKOP 55X55X8 4 SLOT 6MM	CALOTTE TETE GAZ 55X55X8 4 FENTES 6MM TAPÓN CABEZA GAS 55X55X8 4 SLOT 6MM	TAPPO TESTA GAS 55X55X8 4 SLOT 6MM	1
	65321616	STOPF.GASKOPFAUFSATZ 55X55X8 4SL.3,5 LPG STOP GASKOP 55X55X8 4 SL.3,5MM LPG	CALOTTE TETE GAZ 55X55X8 4 F.3,5MM GPL TAPÓN CABEZA GAS 55X55X8 4 SL.3,5MM GPL	TAPPO TESTA GAS 55X55X8 4 SL.3,5MM GPL	1
2150	65327461	SCHUBSTANGE D6 L253 M6/D4,8 STELSTANG D6 L253 M6/D4,8	TIGE REGLAGE D6 L253 M6/D4,8 VARILLA AJUSTE D6 L253 M6/D4,8	ASTA REGOLAZIONE D6 L253 M6/D4,8	1
	65327467	SCHUBSTANGE D6 L373 M6/D4,8 STELSTANG D6 L373 M6/D4,8	TIGE REGLAGE D6 L373 M6/D4,8 VARILLA AJUSTE D6 L373 M6/D4,8	ASTA REGOLAZIONE D6 L373 M6/D4,8	1
2160	65327464	GASKOPF D55/30 4 BRANCH. GASKOP D55/30 4 BRANCH.	TETE GAZ D55/30 4 BRANCH. CABEZA GAS D55/30 4 BRANCH.	TESTA GAS D55/30 4 BRANCH.	1
2170	65111742	IONISATIONSSONDE D8X61 d4/6,4 D3X30 IONISATIEPEN D8X61 d4/6,4 D3X30	SONDE IONISATION D8X61 d4/6,4 D3X30 SONDA IONIZACION D8X61 d4/6,4 D3X30	SONDA RIVELAZIONE D8X61 d4/6,4 D3X30	1
2180	65327462	ZUENDKABEL D5 L365 CARBON ONTSTEKINGSKABEL D5 L365 CARBON	CABLE ALLUMAGE CARBONE D5 L365 CABLE ENCENDIDO D5 L365 CARBON	CAVO ACCENSIONE D5 L365 CARBON	1
	65327468	ZUENDKABEL D5 L510 CARBON ONTSTEKINGSKABEL D5 L510 CARBON	CABLE ALLUMAGE CARBONE D5 L510 CABLE ENCENDIDO D5 L510 CARBON	CAVO ACCENSIONE D5 L510 CARBON	1
2190	13013525	IONISATIONSKABEL D4 BAN/D4 L350 IONISATIEKABEL D4 BAN/D4 L350	CABLE IONISATION D4 BAN/D4 L350 CABLE IONIZACIÓN D4 BAN/D4 L350	CAVO RIVELAZIONE D4 BAN/D4 L350	1
	13015121	IONISATIONSKABEL MC4/D4 L650 IONISATIEKABEL MC4/D4 L650	CABLE IONISATION MC4/D4 L650 CABLE IONIZACIÓN C4/D4 L650	CAVO RIVELAZIONE MC4/D4 L650	1
2200	65327460	GASBOGEN+ROHR L185 GASTOEVOERBUIS+BOCHT L185	TUBE D'AMENEE GAZ+COUDE L185 TUBO CONDUCCIÓN GAS+CODDO L185	TUBO ADDUZ. GAS+GOMITO L185	1
	65327466	GASBOGEN+ROHR L331 GASTOEVOERBUIS+BOCHT L331	TUBE D'AMENEE GAZ+COUDE L331 TUBO CONDUCCIÓN GAS+CODDO L331	TUBO ADDUZ. GAS+GOMITO L331	1
2210	13018089	O-RING D30X3 O-RING D30X3	O-RING D30X3 O-RING D30X3	O-RING D30X3	1
2250	65327486	FLAMMENROHR D115/125/85X230 AGP BRANDERBUIS D115/125/85X230 AGP	TUBE DE FLAMME D115/125/85X230 AGP TUBO DE LLAMA D115/125/85X230 AGP	BOCCAGLIO D115/125/85X230 AGP	1
	65327487	FLAMMENROHR D115/125/85X350 AGP BRANDERBUIS D115/125/85X350 AGP	TUBE DE FLAMME D115/125/85X350 AGP TUBO DE LLAMA D115/125/85X350 AGP	BOCCAGLIO D115/125/85X350 AGP	1
2260	65327457	ANSCHLUSSFLANSCH BG D125 BEVESTIGINGSSET KETEL D125 EUROFLENS	ACCESSOIRE CHAUDIERE D125 EUROBRIDE ACCESORIO CALDERA D125 EUROBRIDA	ACCESSORIO CALDAIA D125 EUROFLANGIA	1
2261	65327458	DICHTUNG/BRENNERFLANSCH 176X176X8 D125 PAKKING MONTAGEFLENS 176X176X8 D125	JOINT/BRIDE BRULEUR 176X176X8 D125 JUNTA/BRIDA QUEMADOR 176X176X8 D125	GUARNIZIONE/FLANGIA BRUC. 176X176X8 D125	1
2262	65327463	DICHTSCHNUR D125X5X5-412 PAKKING/GEVLOCHTE D125X5X5-412	JOINT/TRESSE D125X5X5-412 JUNTA/TRENZADA D125X5X5-412	GUARNIZIONE/TRECCIA D125X5X5-412	1
4005	13018098	GASANSCHLUSSROHR MB-DLE 407/MB-DLE 412 GASAANSLUITBUIJS COMPLEET	COLLECTEUR CPL. COLECTOR ACPL.	COLLETTORE ACC.	1
	13018623	GASANSCHLUSSROHR MB-DLE 412/MB-ZRDLE 412 GASAANSLUITBUIJS COMPLEET	COLLECTEUR CPL. COLECTOR ACPL.	COLLETTORE ACC.	1
4020	13009722	MESSNIPPEL GERADE R1/8Z-VERPACKT DRUKAANSLUITING R1/8	PRISE PRESSION R1/8 TOMA PRESION R1/8	PRESA PRESSIONE R1/8	1
4100	13020611	GASVENTIL MBVEF407 B01 S30 RP3/4 IMPULS. GASKLEP MBVEF407 B01 S30 RP3/4*IMPULS.	VANNE GAZ MBVEF407 B01 S30 RP3/4*IMPULS. VALVULA GAS MBVEF407 B01 S30 RP3/4*IMPULS.	VALVOLA GAS MBVEF407 B01 S30 RP3/4*IMPULS.	1
	13020612	GASVENTIL MBVEF407 B01 S10 RP3/4*IMPULS. GASKLEP MBVEF407 B01 S10 RP3/4*IMPULS.	VANNE GAZ MBVEF407 B01 S10 RP3/4*IMPULS. VALVULA GAS MBVEF407 B01 S10 RP3/4*IMPULS.	VALVOLA GAS MBVEF407 B01 S10 RP3/4*IMPULS.	1
	13020613	GASVENTIL MBVEF412 B01 S10 RP1 1/4 IMPULS. GASKLEP MBVEF412 B01 S10 RP1*1/4 IMPULS.	VANNE GAZ MBVEF412 B01 S10 RP1*1/4 IMPULS. VALVULA GAS MBVEF412 B01 S10 RP1*1/4 IMPULS.	VALVOLA GAS MBVEF412 B01 S10 RP1*1/4 IMPULS.	1
4110	13010078	GASDRUCKWACHTER GW 150 A5 5-150MB GASDRUKSCHAKELAAR GW 150 A5 5-150MB	MANOSTAT GAZ GW 150 A5 5-150MB PRESOSTATO GAS GW 150 A5 5-150MB	PRESSOSTATO GAS GW 150 A5 5-150MB	1
4120	13019202	FLANSCH IMPULSION D14,9 MB407 FLENS IMPULSION D14,9 MB407	BRIDE IMPULSION D14,9 MB407 BRIDA IMPULSION D14,9 MB407	FLANGIA IMPULSION D14,9 MB407	1
	13019203	FLANSCH IMPULSION D14,9 MB412 FLENS IMPULSION D14,9 MB412	BRIDE IMPULSION D14,9 MB412 BRIDA IMPULSION D14,9 MB412	FLANGIA IMPULSION D14,9 MB412	1
4130	13010083	SPULE DUN N° 1105 MBVEF407 SPOEL DUN N° 1105 MBVEF407	BOBINE DUN N° 1105 MBVEF407 BOBINA DUN N° 1105 MBVEF407	BOBINA DUN N° 1105 MBVEF407	1
	13010084	SPULE DUN N° 1205 MBVEF412 SPOEL DUN N° 1205 MBVEF412	BOBINE DUN N° 1205 MBVEF412 BOBINA DUN N° 1205 MBVEF412	BOBINA DUN N° 1205 MBVEF412	1



		<b>RU</b> <b>TR</b>	<b>PT</b>	<b>PL</b>	
1010	13017369	ИЗОЛЯЦИЯ ВОЗДУШНОГО БЛОКА İZOLASYONU HAVA KUTUSU	ISOLAMENTO CAIXA DE ENTRADA DE AR	IZOLACJA OBUDOWA UKŁADU POWIETRZA	1
1015	13022109	ФЛАНЕЦ 82X62X30 D27 ТРУБКА ГАЗОВ.+O-RING FLANŞI 82X62X30 D27 TUPLU GAZ + O-RING	FLANGE 82X62X30 D27 TUBO GAS +O-RING	KOŁNIERZ 82X62X30 D27 BORUSU GAZ.+O-RING	1
1016	13022908	О-КОЛЬЦО 4137 D34,52X3,53 NBR O-RING 4137 D34,52X3,53 NBR	O-RING 4137 D34,52X3,53 NBR	O-RING 4137 D34,52X3,53 NBR	1
1017	13018089	О-КОЛЬЦО D30X3 O-RING D30X3	O-RING D30X3	O-RING D30X3	1
1020	13017364	ЗАСЛОН.РЕЦИРК.ВОЗДУХА 119/114X60(ЧЕРНЫЙ) HAVA GERI DONUŞUMU 119/114X60 78°(SIYAH)	RECICLAGEM DE AR 119/114X60 78° (PRETO)	RECYRKUL.POWIETR. 119/114X60 78°(CZARNY)	1
1030	13009663	ТРАНСФО РОЗЖИГА EBI 2X7,5 230V ATEŞLEME TRAFO. EBI 2X7,5 230V	TRANSFO IGNIÇÃO EBI 2X7,5 230V	TRANSFO ZAPŁONOWY EBI 2X7,5 230V	1
1040	13010058	УПЛОТНЕНИЕ D2,3/9 KABLO KANALI D2,3/9	PASACABOS PRETO D2,3/9	PRZELOTKA PRZEWODU D2,3/9	1
1041	65327295	ЩИТОК ПАНЕЛИ GAS 60X60 GRADUATED L52 GOSTERGE PLAKASI GAZU 60X60 GRADUAT. L52	PLACA PAINEL GAS 60X60 GRADUADA L52	PŁYTA TABLICZY GAS 60X60 GRADUATED L52	1
1042	13015502	ОТБОР ДАВЛЕНИЯ BASINÇ GIRIŞI	TOMADA DE PRESSAO DE AR	GNAZDO POMIARU CIŚNIENIA	1
1043	13017148	РЕЗИНОВАЯ ВОРОНКА 34X15/12 - 2XD3,25 KABLO KANALI 34X15/12 - 2XD3,25	FUNIL 34X15/12 - 2XD3,25	PRZELOTKA 34X15/12 - 2XD3,25	1
1044	13021961	ТРУБКА Д.6+ФЛАНЕЦ МЕРА ВОЗДУХА BORU D.6+ HAVA OELÇMEK İÇİN FLANŞ	TUBO D.6+ FLANGE MEDIÇÃO DE AR	PRZEWÓD D.6+ KOŁNIERZ DO POMIARU POWIETR	1
1050	13018138	ВОЗДУШНАЯ ЗАСЛОНКА HAVA KLAPESI	ALETA DE AR	PRZEPUSTNICA POWIETRZA	1
1060	65300527	СЕРВОДВИГАТ. STE 4,5 B0.37/6-R +КАБЕ. L600 SERVOMOTOR STE 4,5 B0.37/6-R KABLO L600	SERVOMOTOR STE 4,5 B0.37/6-R +CABO L600	SERWOMOTOR STE 4,5 B0.37/6-R +KABEL L600	1
1070	13010095	РАБОЧЕЕ КОЛЕСО D160X52 D12,7 TÜRBİN D160X52 D12,7	TURBINA D160X52 D12,7	WIMIK D160X52 D12,7	1
1110	65300723	ЧЕХОЛ VECTRON2+ ВИНТ КРЕПЛЕНИЯ MUNHAFAZA KAPAĞI VECTRON2+BAĞLANTI VIDA	EXTRATOR VECTRON2+PARAFUSO DE FIXAÇÃO	POKRYWA VECTRON2+SRUBA MOCUJĄCA	1
1120	65300519	ВИНТ С ПЛОСКОЙ ГОЛОВКОЙ M5X15 DÜZ BAŞLI VIDA M5X15	PARAFUSO CABEÇA PLANA M5X15	ŚRUBA Z ŁBEM NITOWYM PŁASKIM M5X15	1
1130	13013352	ШТУЦЕР УГЛОВОЙ POLYAMIDE 1/8 -D.4 BASINÇ GIRIŞI AR	UNIÃO COTOVELO POLYAMIDE 1/8 -D.4	GNAZDO POMIARU CIŚNIENIA	1
1140	13015497	ТРУБА Д4/7 L500 СИЛИКОНОВЫЙ BORU D4/7 L500 SILIKON	MANGUEIRA D4/7 L500 SILICONE	PRZEWÓD D4/7 L500 SILIKON	1
1160	65301172	ЭЛЕКТРОДВИГАТЕЛЬ0,25KW230V D12,7 TRI C111 MOTORU 0,25KW230V D12,7 TRI C111	MOTOR 0,25KW230V D12,7 TRI C111	SILNIK 0,25KW230V D12,7 TRI C111	1
1170	13020723	КРОНШТЕЙН ПНЕВМОРЕЛЕ D32 HAVA BASINÇ ŞALTERI MESNEDI D32	BASE MANÓSTATO AR D32	WSPORNIK CZUJNIKA CIŚNI. POWIET. D32	1
1180	13020502	РЕЛЕ ДАВ. ВОЗДУХА 604.91 0,5-5MB+RAST HAVA BASINÇ ŞALT. 604.91 0,5-5MB+RAST	MANÓSTATO DE AR 604.91 0,5-5MB+RAST	CZUJNIK CIŚ. POW. 604.91 0,5-5MB+RAST	1
1190	65327445	УПЛОТНЕНИЕ ВСПЕНЕННОЕ EPDM D2,3 L350 KÖPÜKLÜ MÜHÜR EPDM D2,3 L350	SELO ESPUMADO EPDM D2,3 L350	USZCZELNIENIE SPIENIONE EPDM D2,3 L350	1
1510	65300158	КАБЕЛЬ ИОНИЗАЦ. MC4/RAST1P L350 İYONİZASYON KABLOSU MC4/RAST1P L350	CABO IONIZACION MC4/RAST1P L350	PRZEWÓD JONIZACYJNY MC4/RAST1P L350	1
1530	65301179	БЛОК УПРАВЛЕНИЯ TCG 811.00 KUTU TCG 811.00	PROGRAMADOR TCG 811.00	MODUŁ TCG 811.00	1
1540	65300727	ОПОРА БЛОКА УПРАВЛЕНИЯ+ДИСПЛЕЙ KUTU DESTEĞİ+EKRAN	SUPORTE UNIDADE DE CONTROLE+VISOR	WSPORNIK MODUŁU+WYŚWIETLACZ	1
1550	65301109	ДИСПЛЕЙ БЛОК УПРАВЛЕНИЯ TCG-TCH REL. 2.2 EKARAN İÇİN KUTU TCG-TCH R2.2 + KABLOSU	VISOR/PROGRAMADOR TCG-TCH RELEASE 2.2	WYŚWIETLACZ/MODUŁ TCG-TCH R2.2 + PRZEWÓD	1
1560	65300531	КАБЕЛЬ+ШТЕКЕР WIE. 4P/RAST3P L250 KABLOSU+FIŞ WIE. 4P/RAST3P L250	CABO+TOMADA WIE. 4P/RAST3P L250	PRZEWÓD+WTYCZKA WIE. 4P/RAST3P L250	1
1570	65300648	КАБЕЛЬ ГАЗОВЫЙ КЛАПАН+P.DIN/RAST5P L1500 GAZ VANASI KABLOSU+PLUGDIN/RAST5P L1500	CABO VALVULA GAS+TOM.DIN/RAST5P L1500AGP	PRZEWÓD ZAWÓR GAZ+PL.DIN/RAST5P L1500AGP	1
1580	13023698	КАБЕЛЬ РЕЛЕ ДАВ. ГАЗА+P.DIN/RAST2P L1500 GAZ BAS.ŞALT.KABLOSU+PL.DIN/RAST2P L1500	CABO PRESSOST.GAS+TOMAD.DIN/RAST2P L1500	PRZEWÓD CZUJN.CIŚ.GAZU+DIN/RAST2P L1500	1
1590	65300619	КАБЕЛЬ ТРАНСФО РОЗЖИГА+ШТ.2P/RAST2P L350 KABLOSU ATEŞL. TRAFO.+FIŞ 2P/RAST2P L350	CABO TRANSFO IGNIÇÃO+TOM.2P/RAST2P L350	PRZEWÓD TRANSFO ZAPŁ.+WTY.2P/RAST2P L350	1
1600	13010519	КАБЕЛЬ ЭЛЕКТРОДВИГАТЕЛЬ+P.3P/RAST3P L300 MOTORU KABLOSU+FIŞ 3P/RAST3P L300	CABO MOTOR+TOMADA 3P/RAST3P L300	PRZEWÓD SILNIK+WTYCZKA 3P/RAST3P L300	1
1700	13017722	КОМПЛЕКТ РЕЛЕ ROELE KITI	CONJUNTO RELÉS	ZESTAW PRZEKAŹNIK	1
1701	13017720	ДЕРЖАТЕЛЬ РЕЛЕ FIN 95.05 95.05 FIN RÖLE KAİDESİ	SUPORTE RELÉ FIN 95.05	WSPORNIK PRZEKAŹNIKA FIN 95.05	1
1702	13017721	РЕЛЕ + ЗАЖИМ RÖLE + KLİP	RELÉ + MOLAS	PRZEKAŹNIK + CLIP	1
1710	65301173	ОПОРА ВАРИАТОРА HIZ VARYATÖR DESTEĞİ	SUPORTE DO VARIADOR	WSPORNIK REGULACJĄ PRĘDKOŚCI	1
1720	65301161	ПРИВОДЫ VFNC3S-2004 PL 0,4KW SÜRÜCÜLER VFNC3S-2004 PL 0,4KW	CONVERSOR FREQ. VFNC3S-2004 PL 0,4KW	PRZETWORNICZKA VFNC3S-2004 PL 0,4KW	1

					
1730	65301175	КОЖУХ ВАРИАТОРА MUHAFAZA KAPAĞI HIZ VARYATÖR	COBERTURA VARIADOR	POKRYWA REGULACJĄ PRĘDKOŚCI	1
1750	65301163	КАБЕЛЬ ПРИВОДЫ +PLUG2P 2X0,75 L910 KABLOSU SÜRÜCÜLER+FIŞ 2P 2X0,75 L910	CABO CONVERS.FREQ.+TOMADA 2P 2X0,75 L910	PRZEWÓD PRZETWORNICZ+PLUG2P 2X0,75 L910	1
1760	65301164	КАБЕЛЬ+PLUG7P/PLUG7P L450+RKCF13-A5 KABLOSU+FIŞ 7P/FIŞ 7P L450+RKCF13-A5	CABO+TOMADA 7P/TOMADA 7P L450+RKCF13-A5	PRZEWÓD+PLUG7P/PLUG7P L450+RKCF13-A5	1
1770	65301165	КАБЕЛЬ ПРИВОДЫ +P.3P M+F 3X0,75 L270 KABLOSU SÜRÜCÜLER+PL.3P M+F 3X0,75 L270	CABO CONVERS.FREQ.+TOM.3P M+F 3X0,75L270	PRZEWÓD PRZETWORNICZ.+PL.3P M+F 3X0,75 L270	1
1780	65301167	КАБЕЛЬ РЕЛЕ/БЛОК УПРА.+PL.3P 2X0,75 L310 ROLE KABLOSU/KUTU+FIŞ 3P 2X0,75 L310	CABO RELE/PROGRAMADOR+TOM.3P 2X0,75 L310	PRZEWÓD PRZEKAŹNIK/MODUŁ+3P 2X0,75 L310	1
2110	65327447	ДЕФЛЕКТОР D95/25 8SL + ДИФУЗОРЫ D24.5 DEFLEKTOR D95/25 8SL + DIFUZÖRLER D24.5	DEFLECTOR D95/25 8SL + DIFUSOR D24.5	DEFLEKTOR D95/25 8SL + DYSZ D24.5	1
2130	65105897	ЭЛЕКТРОД ЗАЖИГАНА D8X61d4/6,4D3X17,5 130° ATEŞLEYİCİ ELEKT.D8X61d4/6,4D3X17,5 130°	ELETRODO ENCEND.D8X61d4/6,4D3X17,5 130°	ELEKTRODA ALU.D8X61d4/6,4D3X17,5 130°	1
2140	65108669	КРЫШКА ОГНЕВАЯ ГОЛОВКА 55X55X8 4 SLOT 6 TAPA GAZ KAFA 55X55X8 4 SLOT 6MM	TAMPA CABEÇA GAS 55X55X8 4 SLOT 6MM	NAKR.GŁOWICA GAZ 55X55X8 4 SLOT 6MM	1
	65321616	КРЫШКА ОГНЕВАЯ ГОЛОВКА 55X55X8 4 SL.3,5 TAPA GAZ KAFA 55X55X8 4 SL.3,5MM LPG	TAMPA CABEÇA GAS 55X55X8 4 SL.3,5MM GPL	NAKR.GŁOWICA GAZ 55X55X8 4 SL.3,5MM LPG	1
2150	65327461	РЕГУЛИР.СТЕРЖЕНЬ D6 L253 M6/D4,8 AYAR ÇUBUĞU D6 L253 M6/D4,8	HASTE AJUSTE D6 L253 M6/D4,8	TRZPIEŃ REGULACYJNY D6 L253 M6/D4,8	1
	65327467	РЕГУЛИР.СТЕРЖЕНЬ D6 L373 M6/D4,8 AYAR ÇUBUĞU D6 L373 M6/D4,8	HASTE AJUSTE D6 L373 M6/D4,8	TRZPIEŃ REGULACYJNY D6 L373 M6/D4,8	1
2160	65327464	ОГНЕВАЯ ГОЛОВКА D55/30 4 BRANCH. GAZ KAFA D55/30 4 BRANCH.	CABECA GAS D55/30 4 BRANCH.	GŁOWICA GAZ D55/30 4 BRANCH.	1
2170	65111742	ДАТЧИК ИОНИЗАЦИОННОГО D8X61 d4/6,4 D3X30 İYONİZASYON SONDA D8X61 d4/6,4 D3X30	SONDA IONIZACAO D8X61 d4/6,4 D3X30	SONDA JONIZACYJNY D8X61 d4/6,4 D3X30	1
2180	65327462	КАБЕЛЬ РОЗЖИГА D5 L365 CARBON ATEŞLEME KABLOSU D5 L365 CARBON	CABO IGNIZACAO D5 L365 CARBON	PRZEWÓD ZAPŁONOWY D5 L365 CARBON	1
	65327468	КАБЕЛЬ РОЗЖИГА D5 L510 CARBON ATEŞLEME KABLOSU D5 L510 CARBON	CABO IGNIZACAO D5 L510 CARBON	PRZEWÓD ZAPŁONOWY D5 L510 CARBON	1
2190	13013525	КАБЕЛЬ ИОНИЗАЦ. D4 BAN/D4 L350 İYONİZASYON KABLOSU D4 BAN/D4 L350	CABO IONIZACION D4 BAN/D4 L350	PRZEWÓD JONIZACYJNY D4 BAN/D4 L350	1
	13015121	КАБЕЛЬ ИОНИЗАЦ. MC4/D4 L650 İYONİZASYON KABLOSU MC4/D4 L650	CABO IONIZACION MC4/D4 L650	PRZEWÓD JONIZACYJNY MC4/D4 L650	1
2200	65327460	ТРУБКА ПОДВ.ГАЗА+КОЛЕНО L185 GAZ GELİŞ BORUSU+DIRSEK L185	TUBO ENTRAD.GÁS+COTOVEL. L185	PRZEWÓD DOPROW.GAZU+KOL. L185	1
	65327466	ТРУБКА ПОДВ.ГАЗА+КОЛЕНО L331 GAZ GELİŞ BORUSU+DIRSEK L331	TUBO ENTRAD.GÁS+COTOVEL. L331	PRZEWÓD DOPROW.GAZU+KOL. L331	1
2210	13018089	О-КОЛЬЦО D30X3 O-RING D30X3	O-RING D30X3	O-RING D30X3	1
2250	65327486	СОПЛО ГОРЕЛКИ D115/125/85X230 AGP BRÜLÖR BORUSU D115/125/85X230 AGP	TUBO QUEIMAD.D115/125/85X230 AGP	RURA PALNIKA D115/125/85X230 AGP	1
	65327487	СОПЛО ГОРЕЛКИ D115/125/85X350 AGP BRÜLÖR BORUSU D115/125/85X350 AGP	TUBO QUEIMAD.D115/125/85X350 AGP	RURA PALNIKA D115/125/85X350 AGP	1
2260	65327457	ПРИНАДЛЕЖНОСТИ КОТЛА D125 EURO-ФЛАНЕЦ KAZAN AKSESUARLARI D125 EURO-FLANŞI	ACESSÓRIO CALDEIRA D125 EUROFLANGE	AKCESORIA ZASOBNIKA D125 EUROFLANGE	1
2261	65327458	ПРОКЛАДКА/ФЛАНЕЦ ГОРЕЛКИ 176X176X8 D125 CONTASI/BRULOR FLANŞI 176X176X8 D125	GAXETA/FLANGE QUEIMADOR 176X176X8 D125	USZCZELKA/KOŁNIERZ PAL. 176X176X8 D125	1
2262	65327463	ПРОКЛАДКА/ПЛЕТЕНАЯ D125X5X5-412 CONTASI/OERÜLÜ D125X5X5-412	GAXETA/TRANÇADA D125X5X5-412	USZCZELKA/PLECIONA D125X5X5-412	1
4005	13018098	КОЛЛЕКТОР В СБОРЕ MANIFOLD KMPL	COLETOR COMPLETO	KOLEKTOR KOMPL.	1
	13018623	КОЛЛЕКТОР В СБОРЕ MANIFOLD KMPL	COLETOR COMPLETO	KOLEKTOR KOMPL.	1
4020	13009722	ДАТЧИК ДАВЛЕНИЯ R1/8 R1/8 BASINÇ PRİZİ	TOMADA DE PRESSÃO R1/8	GNIAZDO CIŚNIENIOWE R1/8	1
4100	13020611	ГАЗОВЫЙ КЛАПАН MBVEF407 B01 S30 RP3/4"IM GAZ VANASI MBVEF407 B01 S30 RP3/4"IMPULS	VALVULA GAS MBVEF407 B01 S30 RP3/4"IMPUL	ZAWÓR GAZOWY MBVEF407 B01 S30 RP3/4"IMPUL	1
	13020612	ГАЗОВЫЙ КЛАПАН MBVE407 B01 S10+F IMPULS. GAZ VANASI MBVEF407 B01 S10 RP3/4"IMPULS	VALVULA GAS MBVEF407 B01 S10 RP3/4"IMPUL	ZAWÓR GAZOWY MBVEF407 B01 S10 RP3/4"IMPUL	1
	13020613	ГАЗОВЫЙ КЛАПАН 412 B01 S10 IMPULS. GAZ VANASI MBVEF412 B01 S10 RP1"1/4 IMPU	VALVULA GAS MBVEF412 B01 S10 RP1"1/4 IMP	ZAWÓR GAZOWY MBVEF412 B01 S10 RP1"1/4 IM	1
4110	13010078	РЕЛЕ ДАВ. ВОЗДУХА GW 150 A5 5-150MB GAZ BASINÇ ŞALT. GW 150 A5 5-150MB	PRESSOSTATO GAS GW 150 A5 5-150MB	CZUJNIK CIŚ. GAZU GW 150 A5 5-150MB	1
4120	13019202	ФЛАНЕЦ IMPULSION D14,9 MB407 FLANŞI IMPULSION D14,9 MB407	FLANGE IMPULSION D14,9 MB407	KOŁNIERZ IMPULSION D14,9 MB407	1
	13019203	ФЛАНЕЦ IMPULSION D14,9 MB412 FLANŞI IMPULSION D14,9 MB412	FLANGE IMPULSION D14,9 MB412	KOŁNIERZ IMPULSION D14,9 MB412	1
4130	13010083	ОБОТКА DUN N° 1105 MBVEF407 N° 1105 MBVEF407 DUN BOBINİ	BOBINA DUN N° 1105 MBVEF407	CEWKA DUN NR 1105 MBVEF407	1
	13010084	ОБОТКА DUN N° 1205 MBVEF412 N° 1205 MBVEF412 DUN BOBINİ	BOBINA DUN N° 1205 MBVEF412	CEWKA DUN NR 1205 MBVEF412	1









## ADDRESSES

[www.elco.net](http://www.elco.net)



## LIST OF THE ABBREVIATIONS

-  : Maintenance parts / Pièces d'entretien / Materiali di consumo /  
: Piezas de mantenimiento / Hilfsmaterial / Onderhoudsonderdelen
-  : Wearing parts / Pièces d'usure / Parti di usura  
: Piezas de desgaste / Verschleissteile / Slijtageonderdelen
- \* : Item not stocked, manufactured to order / Article non stocké, fabrication à la demande /  
: Articolo non a magazzino, produzione all'ordine / Artículo no almacenado, fabricación previa solicitud /  
: Keine Lagerware, wird bei Bedarf bestellt, Artikel niet op voorraad, fabricage op bestelling

## IDENTIFICATION PLATE

### SERIAL NUMBER

**7 Characters :** 00001 / K A

Sequential number

Trimester of manufacture : from A to D  
Year of manufacture : K → 2003  
L → 2004  
M → 2005  
etc ...

**8 Characters :** 00001 / L 09

Sequential number

Month of manufacture  
Year of manufacture : K → 2003  
L → 2004  
M → 2005  
etc ...

**11 Characters :** 2007 1370 P 07

Year of manufacture

Month of manufacture  
Year of manufacture : P → 2007  
R → 2008  
S → 2009  
T → 2010  
U → 2011  
W → 2012  
X → 2013  
Y → 2014  
Z → 2015

Sequential number

**18 Characters :** 070115 000000000001

Sequential number  
Manufacturing day (07) / Month (01) / Year (15)

The indications mentioned on the prices, commercial or technical literature and the scheme are written for your guidance and are available at a given time. The CONSTRUCTOR retains the power to modify the presentation, the form, the size, the conception or the material of the products.