



SPARE PARTS EXPLODED VIEW GAS BURNERS

Model

CB-VG4.440 V E

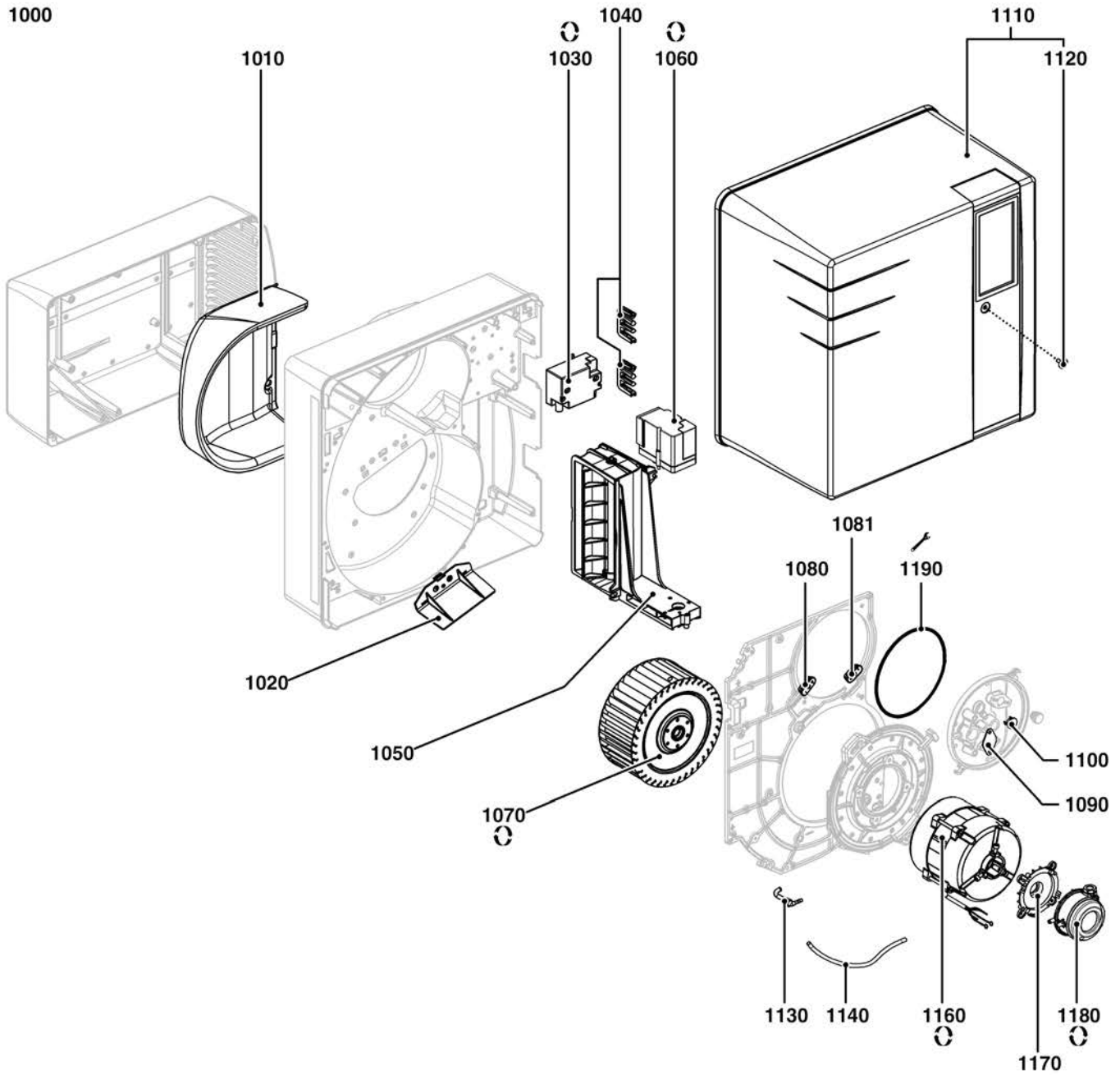
R8220294-01 - 06/09/2018

CB-VG4.440 V E

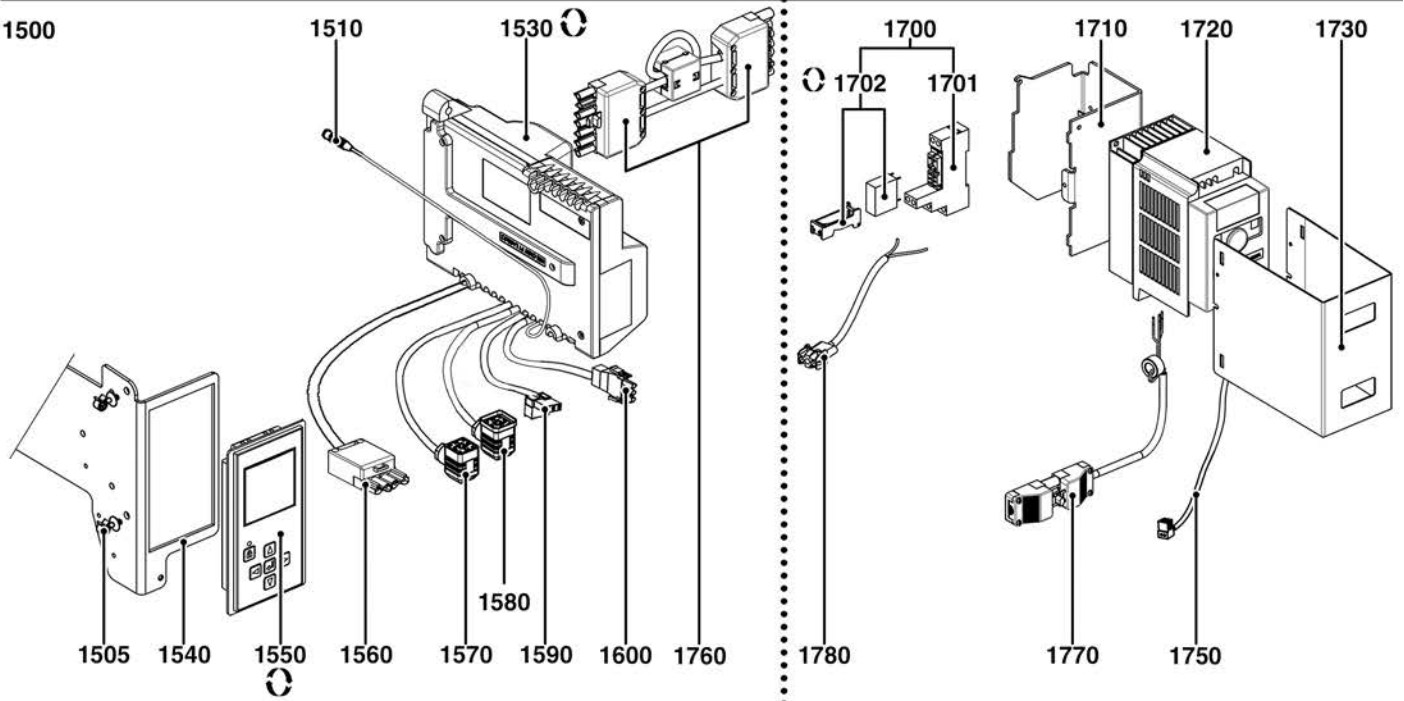
Gas burners

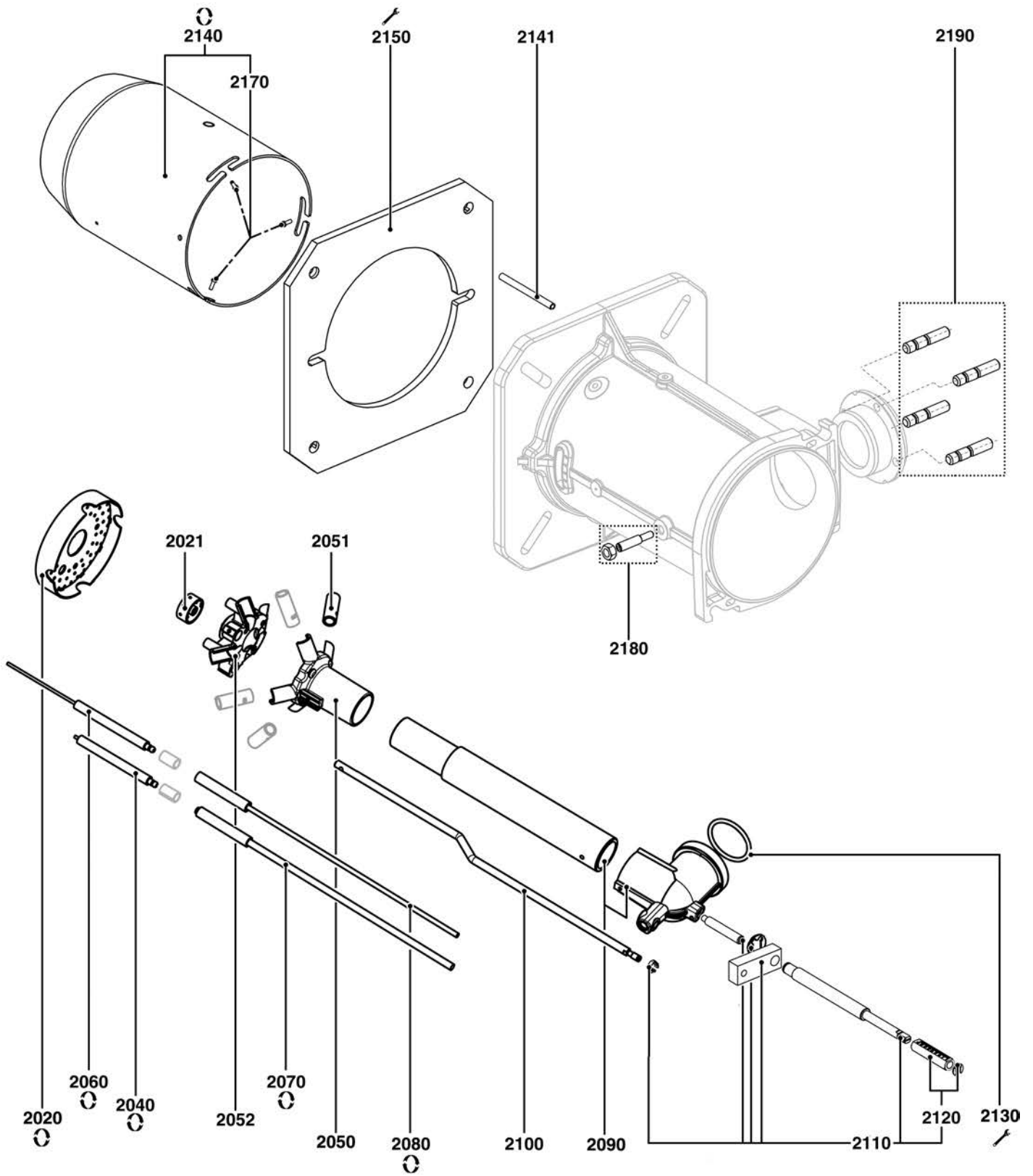
1	3836515	BB-VG4.440 V E	09-2018	-
2	3836498	CH-G0532-T1/KN	05-2018	-
3	3836499	CH-G0532-T2/KL	07-2018	-
4	3832064	GT -D311 - 3/4 - RP1	06-2010	-
5	3832063	GT -D312 - 1 1/4 - RP1 1/4	12-2008	-
6	3833192	GT -D327 - 1 1/2-RP2	02-2011	-
Col	Reference	Model type	Begin	End

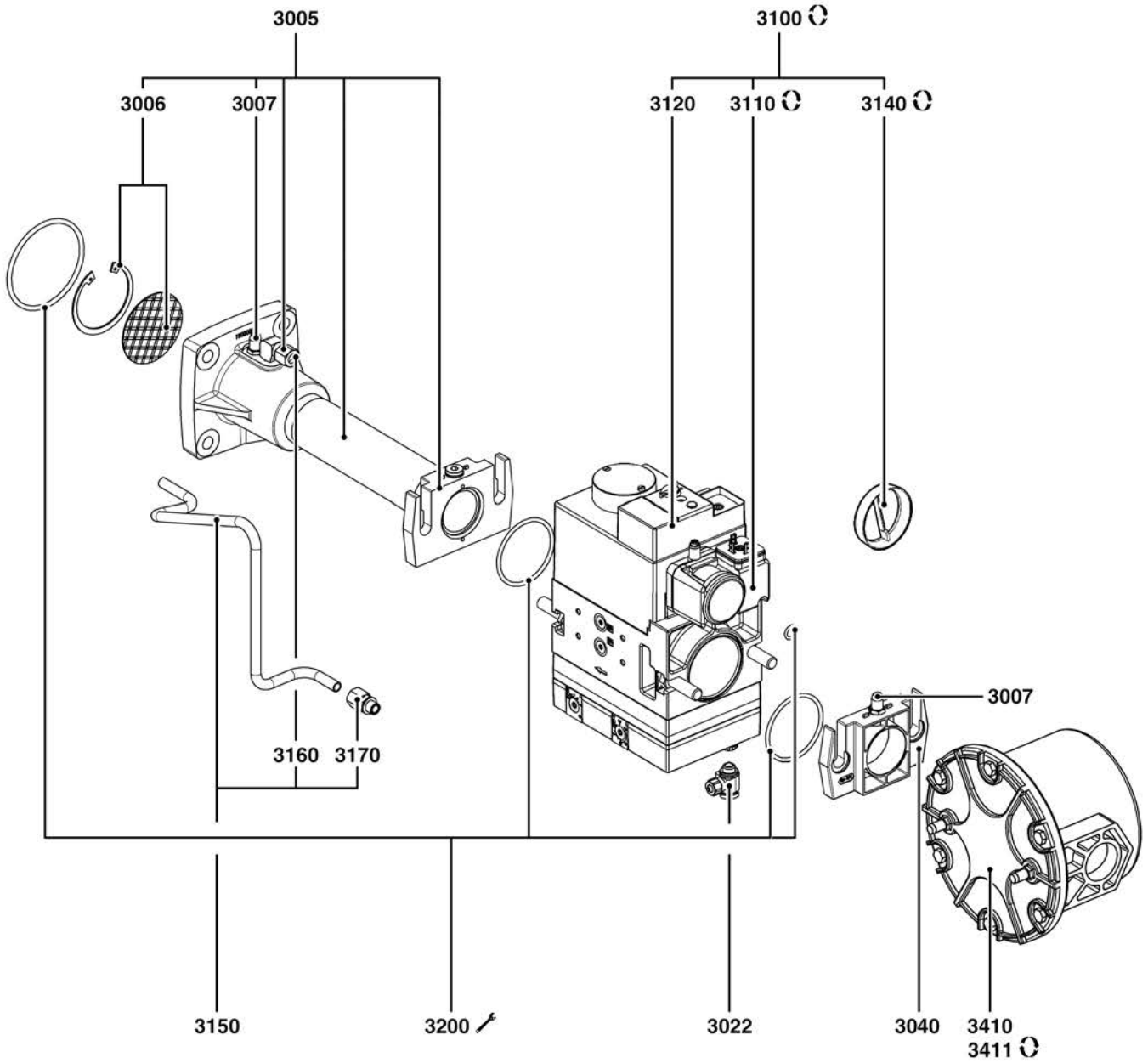
1000



1500







	6XXXXXX	DE	FR	IT	X
		NL	ES		
1010	65300808	ISOLIERUNG -LUFTKASTEN VL+VG4 ISOLATIE LUCHTKAST	ISOLATION BOITE A AIR AISLAMIENTO CAJA DE AIRE	ISOLAMENTO SCATOLA DELL'ARIA	1
1020	13017364	ANSAUGLUFTFUEHR. 119/114X60 78°(SCHWARZ) LUCHTGELEIDING 119/114X60 78° (ZWART)	RECYCLAGE AIR 119/114X60 78° (NOIR) RECICLAJE DE AIRE 119/114X60 78° (NEGRO)	CONVOGLIATORE ARIA 119/114X60 78° (NERO)	1
1030	65300715	ZUENDTRAFO EBI 1X11 230V ONTSTEKINGSTRAFO EBI 1X11 230V	ALLUMEUR EBI 1X11 230V+PRISE TERRE ENCENDEDOR EBI 1X11 230V	TRASFO. ACC. EBI 1X11 230V+PRESA TERRA	1
1040	13016845	KABELDURCHFÜHRUNG / GEHÄUSE KABELDOORVOERING	PASSE FIL/CARTER PASACABLES/CÁRTER	PASSAFILO/ CARTER	1
1050	65300810	LUFTKLAPPE LUCHTKLEP V-G /L 4	VOLET D'AIR VÁLVULA DE AIRE	SERRANDA DELL'ARIA	1
1060	65300527	STELLANTR. STE4,5 B0.37/6-R M.KABEL L600 REGELMOTOR STE 4,5 B0.37/6-R +KABEL L600	SERVOMOTEUR STE4,5 B0.37/6-R +CABLE L600 SERVOMOTOR STE 4,5 B037/6 R+CABLE L600	SERVOMOTORE STE 4,5 B0.37/6-R +CAVO L600	1
1070	13011096	VENTILATORRAD D180X75 D12,7 VENTILATORRAD VG04DP/EK04G/FØ180 X 75	TURBINE D180X75 D12,7 TURBINA D180X75 D12,7	VENTOLA D180X75 D12,7	1
1080	13011186	TUELLE DIM34X15/12 - 1XD.6,20 DRAADDOORVOER DIM34X15/12 - 1XD.6,20	PASSE-CABLE DIM34X15/12 - 1XD.6,20 PASSACABLE DIM34X15/12 - 1XD.6,20	PASSACAVO DIM34X15/12 - 1XD.6,20	1
1081	13020685	KABELTUELLE DIM34X15/12 1xD3,25 KABELDOORVOER DIM34X15/12 1xD3,25	PASSE CABLE DIM34X15/12 1xD3,25 PASSACABLE DIM34X15/12 1xD3,25	PASSACAVO DIM34X15/12 1xD3,25	1
1090	65300568	VERSCHLUßBLECH AFSLUITPLAAT	PLAQUE DE FERMETURE PLACA DE CIERRE	PIASTRA DI CHIUSURA	1
1100	13007807	SCHAUGLAS BLAU D14/D18 KIJKGLASS BLAU D14/D18	VOYANT DE FLAMME BLEU D14XD18 VISOR DE LLAMA AZUL D14/D18	VISORE DI FIAMMA BLU D14XD18	1
1110	65300812	BRENNERHAUBE VECTRON4+SCHRAUBE KAP VECTRON4+BEVESTIGINGSSCHROEF	CAPOT VECTRON4+VIS CUBIERTA VECTRON4+TORNILLO DE FIJACIÓN	COFANO VECTRON4+VITE DI FISSAG.	1
1120	65300519	FLACHKOPF-SCHRAUBE M5X15+SPITZE PLATKOPSCHROEF M5X15	VIS A TETE PLATE M5X15 TORNILLO DE CABEZA PLANA M5X15	VITE A TESTA PIANA M5X15	1
1130	65327491	LUFTDRUCKNIPPEL G1/8+ROHR D4/6 L53 90° MEETAANSLUITING G1/8+BUIS D4/6 L53 90°	PRISE PRES.AIR G1/8+TUBE D4/6 L53 90° TOMA P.AIRE G1/8+TUBO D4/6 L53 90°	PRESA PRES.ARIA G1/8+TUBO D4/6 L53 90°	1
1140	13015497	SCHLAUCH ID4/7X500 SILIKON TRANSPARENT SLANG D4/7 L500 SILIKON	TUYAU D4/7 L500 SILICONE MANGUERA D4/7 L500 SILICONA	TUBETTO D4/7 L500 SILICONE	1
1160	65301170	MOTOR 0,42KW230V D12,7 TRI C113 MOTOR 0,42KW230V D12,7 TRI C113	MOTEUR 0,42KW230V D12,7 TRI C113 MOTOR 0,42KW230V D12,7 TRI C113	MOTORE 0,42KW230V D12,7 TRI C113	1
1170	13020723	HALTER D32 LUFTDRUCKWAECHTER HUB LUCHTDUKSCHAKELAAR STEUN D32	SUPPORT MANOSTAT AIR D32 SOPORTE DEL MANOSTATO DE AIRE D32	SUPPORTO PRESSOSTATO DELL'ARIA D32	1
1180	13020722	LUFTDRUCKWAECHTER 604.92 1-10MB+RAST LUCHTDUKSCHAKELAAR 604.92 1-10MB+RAST	MANOSTAT AIR 604.92 1-10MB+RAST PRESOSTATO AIRE 604.92 1-10MB+RAST	PRESSOSTATO ARIA 604.92 1-10MB+RAST	1
1190	65327476	DICHTUNG D2,3 L485 EPDM GESCHÄUMT SEALSCHUIM EPDM D2,3 L485	JOINT EN MOUSSE EPDM D2,3 L485 JUNTA DE ESPUMA EPDM D2,3 L485	GUARNIZIONE D2,3 L485 IN EPDM ESPANSO	1
1505	65300679	KABELHALTER KUNSTSTOFF D6 (X10) KABELHOUDER ZWART D6 (X10)	SERRE-CABLE PLASTIQUE NOIR D6 (X10) SOPORTE CABLE NEGRO D6 (X10)	SUPPORTO CAVO NERO D6 (X10)	1
1510	65300158	IONISATIONSKABEL MC4/RAST1P L350 IONISATIEKABEL MC4/RAST1P L350	CABLE IONISATION MC4/RAST1P L350 CABLE IONIZACION MC4/RAST1P L350	CAVO RIVELAZIONE MC4/RAST1P L350	1
1530	65301179	FEUERUNGSAUTOMAT TCG 811.00 BRANDERAUTOMAAT TCG 811.00	COFFRET TCG 811.00 PROGRAMADOR TCG 811.00	APPARECCHIATURA TCG 811.00	1
1540	65300524	HALTER ZU FEUERUNGSAUTOMAT + ANZEIGEEINH STEUN VAN DE AUTOMAAT+DISPLAY	SUPPORT COFFRET+AFFICHEUR SOPORTE DEL CAJETÍN+PANTALLA	SUPPORTO PROGRAMMATORE+VISUALIZ.	1
1550	65301109	ANZEIGE/FEUERUNGSAU.TCG-TCH R.2.2 + KABEL AANWIJS EN BEDIENEENHEID TCG/TCH R.2.2	AFFICHEUR/COFFRET TCG-TCH REL. 2.2 PANTALLA P. PROGRAMADOR TCG-TCH REL.2.2	DISPLAY PER APPARECCHIA.TCG-TCH REL.2.2	1
1560	65300531	KABEL+STECKER WIE. 4P/RAST3P L250 KABEL+STECKER WIE. 4P/RAST3P L250	CABLE+PRISE WIE. 4P/RAST3P L250 CABLE+TOMA WIE. 4P/RAST3P L250	CAVO+PRESA WIE. 4P/RAST 3P L250	1
1570	65300570	KABEL GASVENTIL+STCK DIN/RAST5P L1500 KABEL GASKLEP+STCKDIN/RAST5P L1500	CABLE VANNE GAZ+PRISE DIN/RAST5P L1500 CABLE VALVULA GAS+TOMA DIN/RAST5P L1500	CAVO VALVOLA GAS+PRESA DIN/RAST5P L1500	1
1580	13023698	KABEL GDW.+STECKER DIN/RAST2P L1500 G.DRUKSCHAKEL.KABEL+STCKDIN/RAST2P L1500	CABLE MANO GAZ+PRISE DIN/RAST2P L1500 CABLE PRESOST.AIRE+TOMA DIN/RAST2P L1500	CAVO PRESSOST.GAS+PRESA DIN/RAST2P L1500	1
1590	65300619	KABEL ZÜNDTRAFO+STCK 2P/RAST2P L350 ONTSTEKINGSTRAFOKAB.+STEK.2P/RAST2P L350	CABLE ALLUMEUR+PRISE 2P/RAST2P L350 CABLE ENCENDEDOR+TOMA 2P/RAST2P L350	CAVO TRASFO ACCENS.+PRESA 2P/RAST2P L350	1
1600	13010519	KABEL MOTOR+STECKER 3P/RAST3P L300 KABEL MOTOR+STCK3P/RAST3P L300	CABLE MOTEUR+PRISE 3P/RAST3P L300 CABLE MOTOR+TOMA 3P/RAST3P L300	CAVO MOTORE+PRESA 3P/RAST3P L300	1
1700	13017722	RELAIS-SET 40.52 250V 8A FINDER SET RELAIS	RELAIS+SUPP. 2RT 8A AGNI 230V RELÉ+SOPORTE 2RT 8A AGNI 230V	RELE 2RT+ZOCOLO FINDER 55.34	1
1701	13017720	RELAISOCKEL 95.05 FIN HOUDER RELAIS FIN 95.05	SUPPORT RELAIS FIN 95.05 SOPORTE RELÉ FIN 95.05	SUPPORTO RELÉ FIN 95.05	1
1702	13017721	RELAIS + KLAMMER RELAIS + CLIP	RELAIS + CLIP RELÉ + CLIP	RELÉ + CLIP	1
1710	65301174	HALTER DREHZAHLEGLER STEUN FREQUENTIEREGELAAR	SUPPORT VARIATEUR SOPORTE DEL VARIADOR	SUPPORTO VARIATORE	1
1720	65301162	FREQ.UMRICHTER VFNC3S-2007 PL 0,75KW FREQ.OMVORMER VFNC3S-2007 PL 0,75KW	VARIATEUR FREQ. VFNC3S-2007 PL 0,75KW CONVERTIDORES FREQ.VFNC3S-2007 PL 0,75KW	VARIATORE FREQ. VFNC3S-2007 PL 0,75KW	1
1730	65301175	ABDECKUNG DREHZAHLEGLER VFN KAP FREQUENTIEREGELAAR	CAPOT VARIATEUR CUBIERTA VARIADOR	COPERCHIO VARIATORE	1
1750	65301163	KABEL FREQUENZUMRIC.+STCK 2P 2X0,75 L910 KABEL FREQ.OMVORMER +STCK2P 2X0,75 L910	CABLE VARIATEUR+PRISE 2P 2X0,75 L910 CABLE CONVERT.FREQ.+TOMA 2P 2X0,75 L910	CAVO VARIATOR.FREQ.+PRESA 2P 2X0,75 L910	1

		DE	FR	IT	
		NL	ES		
1760	65301164	KABEL+STCK 7P/STCK 7P L450+RKCF13-A5 KABEL+STCK7P/STCK7P L450+RKCF13-A5	CABLE+PRISE 7P/PRISE 7P L450+RKCF13-A5 CABLE+TOMA 7P/TOMA 7P L450+RKCF13-A5	CAVO+PRESA 7P/PRESA 7P L450+RKCF13-A5	1
1770	65301165	KABEL FREQUENZUMR.+STCK3P M+F 3X0,75L270 KABEL FREQ.OMVORM.+STCK3P M+F 3X0,75L270	CABLE VARIATEUR+PRISE 3P M+F 3X0,75 L270 CABLE CONVERT.FREQ.+TO.3P M+F 3X0,75L270	CAVO VARIAT.FREQ.+PRES.3P M+F 3X0,75L270	1
1780	65301167	KABEL RELAY/F.AUTOMAT+STCK 3P 2X0,75L310 KABEL RELAY/BR.AUTOMAAT+S. 3P/2X0,75L310	CABLE RELAIS/COFFRET+PRISE 3P 2X0,75L310 CABLE RELE/PROGRAM.+TOMA 3P 2X0,75 L310	CAVO RELE/APPARECH.+PRESA 3P 2X0,75 L310	1
2020	65111864	STAUISCHEIBE D120/30X25 62DRIL. STUWPLAAT D120/30X25 62DRIL.	DEFLECTEUR D120/30X25 62DRIL. DEFLECTOR D120/30X25 62DRIL.	DIFFUSORE D120/30X25 62DRIL.	1
2021	65324717	GASDUESE LPG D33/5,5X10 8 DRILL. D1,5 VERSPREIDER LPG D33/5,5X10 8 DRILL. D1,5	DIFFUSEUR GPL D33/5,5X10 8 PERC. D1,5 DIFUSOR GPL D33/5,5X10 8 DRILL. D1,5	INIETTORE LPG D33/5,5X10 8 FORI D1,5	1
2040	65324331	ZUENDELEKTRODE D10X100 d6,4 D3X7 ONTSTEKINGSPEN D10X100 d6,4 D3X7	ELECTRODE ALLUMAGE D10X100 d6,4 D3X7 ELECTRODO ENCENDIDO D10X100 d6,4 D3X7	ELETTRODO ACCENSIONE D10X100 d6,4 D3X7	1
2050	65324694	GASKOPF L78 D107/35 4 BRANCH. GASKOP L78 D107/35 4 BRANCH.	TETE GAZ L78 D107/35 4 BRANCHES CABEZA GAS L78 D107/35 4 BRANCH.	TESTA GAS L78 D107/35 4 BRANCH.	1
2051	65324714	GASDUESE D14/10 L37 OPEN. 3X10 GASVERSPREIDER D14/10 L37 OPEN. 3X10	DIFFUSEUR GAZ D14/10 L37 OUV. 3X10 DIFUSOR GAS D14/10 L37 OPEN. 3X10	INIETTORE GAS D14/10 L37 APERT. 3X10	1
	65324715	GASDUESE D14/8 L37 1 DRILL. D3,25 GASVERSPREIDER D14/8 L37 1 DRILL. D3,25	DIFFUSEUR GAZ D14/8 L37 1 PERC. D3,25 DIFUSOR GAS D14/8 L37 1 DRILL. D3,25	INIETTORE GAS D14/8 L37 1 FORO D3,25	1
2052	65324539	STOPF.GASKOPFAUFSATZ D88 L33 2XD6,5 4 BR STOP GASKOP D88 L33 2XD6,5 4 BR.	CALOTTE TETE GAZ D88 L33 2XD6,5 4 BR. TAPÓN CABEZA GAS D88 L33 2XD6,5 4 BR.	TAPPO TESTA GAS D88 L33 2XD6,5 4 BR.	1
2060	65320950	IONISATIONSSONDE D10X100 d6,4 D3X100 IONISATIEPEN D10X100 d6,4 D3X100	SONDE IONISATION D10X100 d6,4 D3X100 SONDA IONIZACION D10X100 d6,4 D3X100	SONDA RIVELAZIONE D10X100 d6,4 D3X100	1
2070	65326130	ZÜNDKABEL D4/D4 L1010 M. GEB. STECKER ONTSTEKINGSKABEL D4/D4 L1010 ELBOW PLUG	CABLE ALLUMAGE D4/D4 L1010 PRISE COUDEE CABLE ENCENDIDO D4/D4 L1010 ELBOW PLUG	CAVO ACCENSIONE D4/D4 L1010 CONN.GOM.	1
	65326132	ZÜNDKABEL D4/D4 L690 M. GEB. STECKER ONTSTEKINGSKABEL D4/D4 L690 ELBOW PLUG	CABLE ALLUMAGE D4/D4 L690 PRISE COUDEE CABLE ENCENDIDO .D4/D4 L690 ELBOW PLUG	CAVO ACCENSIONE D4/D4 L690 CONN.GOM.	1
2080	65327471	IONISATIONSKABEL D5 L650 D4M/D7F IONISATIEKABEL D5 L650 D4M/D7F	CABLE IONISATION D5 L650 D4M/D7F CABLE IONIZACION D5 L650 D4M/D7F	CAVO RIVELAZIONE D5 L650 D4M/D7F	1
	65327477	IONISATIONSKABEL D5 L790 D4M/D7F IONISATIEKABEL D5 L790 D4M/D7F	CABLE IONISATION D5 L790 D4M/D7F CABLE IONIZACION D5 L790 D4M/D7F	CAVO RIVELAZIONE D5 L790 D4M/D7F	1
2090	65327473	GASROHR D35/40 L270 GASBUIS D35/40 L270	TUBE GAZ D35/40 L270 TUBERIA GAS D35/40 L270	TUBO GAS D35/40 L270	1
	65327479	GASROHR D35/40 L410 GASBUIS D35/40 L410	TUBE GAZ D35/40 L410 TUBERIA GAS D35/40 L410	TUBO GAS D35/40 L410	1
2100	65327472	SCHUBSTANGE D8-D6 L407 STELSTANG D8-D6 L407	TIGE REGLAGE D8-D6 L407 VARILLA AJUSTE D8-D6 L407	ASTA REGOLAZIONE D8-D6 L407	1
	65327478	SCHUBSTANGE D8-D6 L547 STELSTANG D8-D6 L547	TIGE REGLAGE D8-D6 L547 VARILLA AJUSTE D8-D6 L547	ASTA REGOLAZIONE D8-D6 L547	1
2110	65300821	SCHUBSTANGE D8/12/10X172+DISTANZROHR L45 STELSTANG D8/12/10 L172+SPACER L45	TIGE REGLAGE D8/12/10X172+ENTRETOISE L45 VARILLA AJUSTE D8/12/10 L172+ESPACIA.L45	ASTA REGOL.D8/12/10 L172+DISTANZIALE L45	1
2120	65300554	EINSTELLSKALA+CLIPS NONIUS+KLEMMETJE	VERNIER+CIRCLIPS NONIO+CIRCLIPS	REGOLATORE+ANELLI ELASTICI	1
2130	13015499	O-RING D45X4 O-RING D45X4	O-RING D45X4 O-RING D45X4	O-RING D45X4	1
2140	65327475	FLAMMENROHR D150/157/116X277 BRANDERBUIS D150/157/116X277	TUBE DE FLAMME D150/157/116X277 TUBO DE LLAMA D150/157/116X277	BOCCAGLIO D150/157/116X277	1
	65327480	FLAMMENROHR D150/157/116X417 BRANDERBUIS D150/157/116X417	TUBE DE FLAMME D150/157/116X417 TUBO DE LLAMA D150/157/116X417	BOCCAGLIO D150/157/116X417	1
2141	65301184	DRUCKROHR FEUERRAUM L200MM BUIS KAMERDRUK LG.200MM	TUBE PRESSION FOYER LG.200MM TUBO DE PRESIÓN DEL HOGAR LG. 200MM	TUBO PRESSIONE CAMERA LG.200MM	1
	65301185	DRUCKROHR FEUERRAUM L350MM BUIS KAMERDRUK LG.350MM	TUBE PRESSION FOYER LG.350MM TUBO DE PRESIÓN DEL HOGAR LG.350MM	TUBO PRESSIONE CAMERA LG.350MM	1
2150	65327474	DICHTUNG/BRENNERFLANSCH 242X242X8 D161 PAKING GASVOORZETSTUK 242X242X8 D161	JOINT/BRIDE BRULEUR 242X242X8 D161 JUNTA/BRIDA QUEMADOR 242X242X8 D161	GUARNIZIONE/FLANGIA BRUC. 242X242X8 D161	1
2170	13007804	SCHRAUBEN-SET M6X1 LINKSGEWINDE/VPE 3STK M6-BEV.SCHROEF(LINKER)BRANDERBUIS(X3)	VIS M6 (PAS GAUCHE)FIX.TUBE FLAMME(3PCS) TORNILLOS M6 (R.IZQ.)FIJ.TUBO QUEMA.(X3)	VITE M6 (PASSO SX) FISS. BOCCAGLIO(3 PZ)	1
2180	65300557	SCHRAUBE+MUTTER M8X40 SCHROEF+MOER M8X40	VIS+ECROU M8X40 TORNILLO+TUERCA M8X40	VITE+DADO M8X40	1
2190	13016814	SATZ GEGENMUTTER+SENKSCRAUBE M10X40 SET 4 MOEREN M10 + NOPPEN M10X40	KIT 4 ECROUS M10+ GOIJONS M10X40 KIT 4 TUERCAS M10+PASADORES M10X40	KIT 4 DADI M10 + PRIGIONIERI M10X40	1
3005	13011796	GASANSCHLUSSROHR KPL.R2Z.MB420 FLENS/COLLECTOR VOLL. RP2	BRIDE/COLLECTEUR CPL. RP2 BRIDA/COLECTOR CPL. RP2	FLANGIA/COLLETTORE ACC. RP2	1
	13014011	GASANSCHLUSSROHR MB407 3/4Z COLLECTOR VOLL. RP3/4	COLLECTEUR CPL. RP3/4 COLECTOR CPL. RP3/4	COLLETTORE ACC. RP3/4	1
	13014012	GASANSCHLUSSROHR KPL. R1 1/4Z COLLECTOR VOLL. RP 1"1/4	COLLECTEUR CPL. RP 1"1/4 COLECTOR CPL. RP 1"1/4	COLLETTORE ACC. RP 1"1/4	1
3006	13011367	SICHERUNGSRING U.STABILISATOR D60 STABILISATOR+BORGVEREN D60	STABILISATEUR+CIRCLIPS D60 ESTABILIZADOR+ ANILLO DE RETÉN D60	STABILIZZATORE+BOCCOLA DI CHIUSURA D60	1
3007	13009722	MESSNIPPEL GERADE R1/8Z-VERPACKT DRUKAANSLUITING R1/8	PRISE PRESSION R1/8 TOMA PRESIÓN R1/8	PRESA PRESSIONE R1/8	1
3022	13020682	SCHWENKVERSCHRAUBUNG LCK-G1/8-PK4 "BANJO" AANSLUITING LCK-G1/8-PK4	RACCORD BANJO LCK-G1/8-PK4 RACOR TIPO "BANJO" LCK-G1/8-PK4	RACCORDO "BANJO" LCK-G1/8-PK4	1

			DE	FR	IT	
			NL	ES		
3040	13007859	FLANSCH MB420 RP2 + DRUCKSTECKER FLENS MB420 RP2 + AFTAKKING DRUK	BRIDE MB420 RP2 + PRISE PRESSION BRIDA MB420 RP2 + TOMA DE PRESIÓN	FLANGIA MB420 RP2 + PRESA PRESSIONE	1	
	13010074	FLANSCH MB405/407 RP3/4 +O-RING FLENS MB405/407 RP3/4 +O-RING	BRIDE MB405/407 RP3/4 +O-RING BRIDA MB405/407 RP3/4 +O-RING	FLANGIA MB405/407 RP3/4 +O-RING	1	
	13022858	FLANSCH MB412 RP1 1/4 FLENS MB412 RP1 1/4	BRIDE MB412 RP1 1/4 BRIDA MB412 RP1 1/4	FLANGIA MB412 RP1 1/4	1	
3100	13010082	GASVENTIL MB-VEF412 B01 S10 RP1 1/4 GASKLEP MB-VEF412 B01 S10 RP1 1/4	VANNE GAZ MB-VEF412 B01 S10 RP1 1/4 VALVULA GAS MBVEF412 B01 S10 RP1 1/4	VALVOLA GAS MB-VEF412 B01 S10 RP1 1/4	1	
	13011113	GASVENTIL MB-VEF407 B01 S30 RP3/4 PL1,2 GASKLEP MBVEF407 B01 S30 RP3/4	VANNE GAZ MB-VEF407 B01 S30 RP3/4PL1,2 VALVULA GAS MBVEF407 B01 S30 RP3/4	VALVOLA GAS MB-VEF407B01 S30 RP3/4 PL1,2	1	
	13011725	GASVENTIL MBVEF420 B01 S10 RP2"+FP GASKLEP MBVEF420 B01 S10 RP2"+FP	VANNE GAZ MBVEF420 B01 S10 RP2"+FP VÁLV. GAS MBVEF420 B01 S10 RP2"+FP	VALVOLA GAS MBVEF420 B01 S10 RP2"+FP	1	
3110	13010078	GASDRUCKWACHTER GW 150 A5 5-150MB GASDRUKSCHAKELAAR GW 150 A5 5-150MB	MANOSTAT GAZ GW 150 A5 5-150MB PRESOSTATO GAS GW 150 A5 5-150MB	PRESSOSTATO GAS GW 150 A5 5-150MB	1	
3120	13010083	SPULE DUN N° 1105 MBVEF407 SPOEL DUN N° 1105 MBVEF407	BOBINE DUN N° 1105 MBVEF407 BOBINA DUN N° 1105 MBVEF407	BOBINA DUN N° 1105 MBVEF407	1	
	13010084	SPULE DUN N° 1205 MBVEF412 SPOEL DUN N° 1205 MBVEF412	BOBINE DUN N° 1205 MBVEF412 BOBINA DUN N° 1205 MBVEF412	BOBINA DUN N° 1205 MBVEF412	1	
	13011726	SPULE DUN N° 1215 MBVEF420 SPOEL DUN NR. 1215 MBVEF420	BOBINE DUN N° 1215 MBVEF420 BOBINA DUN N° 1215 MBVEF420	BOBINA DUN N° 1215 MBVEF420	1	
3140	13007901	FILTEREINSATZ GITTER MB..420 FILTERELEMENT ROOSTER MB..420 /512 /520	ELEMENT FILTRANT GRILLE MB..420 ELEMENTO FILTRANTE REJA MB..420	ELEMENTO FILTRANTE GRIGLIA MB..420	1	
	13016011	FILTEREINSATZ MB..405-407 FILTERELEMENT MB..405-407	ELEMENT FILTRANT MB..405-407 ELEMENTO FILTRANTE MB..405-407	ELEMENTO FILTRANTE MB..405-407	1	
	13016012	FILTEREINSATZ MB..410-412 FILTERELEMENT MB..410-412	ELEMENT FILTRANT MB..410-412 ELEMENTO FILTRANTE MB..410-412	ELEMENTO FILTRANTE MB..410-412	1	
	65326948	FILTEREINSATZ D20 /MB..405/407 FILTERELEMENT D20 /MB..405/407	ELEMENT FILTRANT D20 /MB..405/407 ELEMENTO FILTRANTE D20 /MB..405/407	ELEMENTO FILTRANTE D20 /MB..405/407	1	
	65327438	FILTEREINSATZ D30 / MB..410/412 FILTERELEMENT D30 / MB..410/412	ELEMENT FILTRANT D30 / MB..410/412 ELEMENTO FILTRANTE D30 / MB..410/412	ELEMENTO FILTRANTE D30 / MB..410/412	1	
3150	13022464	DRUCKABNAHMEROHR MBVEF407 GASDRUKBUIJS MBVEF407+AANSLUITING	TUBE PRESSION GAZ MBVEF407+RACCORD TUBO DE PRESIÓN GAS MBVEF 407+EMPALME	TUBO DELLA PRESSIONE GAS MBVEF407	1	
	65300649	DRUCKABNAHMEROHR MBVEF412 GASDRUKBUIJS MBVEF412+AANSLUITING	TUBE PRESSION GAZ MBVEF412+RACCORD TUBO DE PRESIÓN GAS MBVEF412+EMPALME	TUBO DELLA PRESSIONE GAS MBVEF412	1	
	65300669	DRUCKABNAHMEROHR MBVEF420 GASDRUKBUIJS MBVEF420+AANSLUITING	TUBE PRESSION GAZ MBVEF420+RACCORD TUBO DE PRESIÓN GAS MBVEF420+EMPALME	TUBO DELLA PRESSIONE GAS MBVEF420	1	
3160	13023188	WINKELVERSCHRAUBUNG GEBOGEN AANSLUITING	RACCORD COUDE RACOR ACODADO	RACCORDO A GOMITO	1	
3170	13023187	VERSCHRAUBUNG 1/8Z D8 MB 407/412/420 AANSLUITING G1/8 + AFDICHTING	RACCORD G1/8+JOINT RACOR G1/8 + JUNTA	RACCORDO G1/8 + GUARNIZIONE	1	
3200	65300575	O-RINGSATZ D70X3+D36X3 (2)+D11X2/MB..407 O-RINGSET D70X3+D36X3 (2)+D11X2/MB..407	KIT O-RING D70X3+D36X3 (2)+D11X2/MB..407 KIT O-RING D70X3+D36X3 (2)+D11X2/MB..407	KIT O-RING D70X3+D36X3 (2)+D11X2/MB..407	1	
	65300576	O-RINGSATZ D70X3+D50X3 (2)+D11X2/MB..412 O-RINGSET D70X3+D50X3 (2)+D11X2/MB..412	KIT O-RING D70X3+D50X3 (2)+D11X2/MB..412 KIT O-RING D70X3+D50X3 (2)+D11X2/MB..412	KIT O-RING D70X3+D50X3 (2)+D11X2/MB..412	1	
	65300671	O-RINGSATZ D70X3+D86X3 (2)D11X2/MB..420 O-RINGSET D70X3+D86X3 (2)D11X2/MB..420	KIT O-RING D70X3+D86X3 (2)D11X2/MB..420 KIT O-RING D70X3+D86X3 (2)D11X2/MB..420	KIT O-RING D70X3+D86X3 (2)D11X2/MB..420	1	
3410	13009700	OP-GASFILTER R2Z OP-GASFILTER R2Z	OP-FILTRE GAZ RP2" FILTRO GAS EXTERNO RP2	OP-FILTRO GAS RP2"	1	
	13010092	OP-GASFILTER R1Z OP-GASFILTER R1Z	OP-FILTRE GAZ RP1" FILTRO PARA GAS EXTERIOR RP1	OP-FILTRO GAS RP1"	1	
3411	13010044	FILTEREINSATZ GF 520+O-RING FILTERELEMENT GF 520+O-RING	ELEMENT FILTRANT GF 520+O-RING ELEMENTO FILTRANTE GF 520+O-RING	ELEMENTO FILTRANTE GF 520+O-RING	1	
	13010093	FILTEREINSATZ GF 510-515+O-RING FILTERELEMENT GF 510-515+O-RING	ELEMENT FILTRANT GF 510-515+O-RING ELEMENTO FILTRANTE GF 510-515+O-RING	ELEMENTO FILTRANTE GF 510-515+O-RING	1	

		RU TR	PT	PL	
1010	65300808	ИЗОЛЯЦИЯ ВОЗДУШНОГО БЛОКА İZOLASYONU HAVA KUTUSU	ISOLAMENTO CAIXA DE ENTRADA DE AR	IZOLACJA OBUDOWA UKŁADU POWIETRZA	1
1020	13017364	ЗАСЛОН.РЕЦИРК.ВОЗДУХА 119/114X60(ЧЕРНЫЙ) HAVA GERİ DÖNÜŞÜMÜ 119/114X60 78°(SIYAH)	RECICLAGEM DE AR 119/114X60 78° (PRETO)	RECYRKUL.POWIETR. 119/114X60 78°(CZARNY)	1
1030	65300715	ТРАНСФО РОЗЖИГА ЕВІ 1Х11 230V ATEŞLEME TRAFO. EBI 1X11 230V+TOPRAK SO.	TRANSFO IGNIÇÃO EBI 1X11 230V	TRANSFOZAPL.EBI 1X11 230V+UZIEMI.ZŁĄCZE	1
1040	13016845	МУФТА ПРОПУСКА ПРОВОДА/КАРТЕР KABLO KANALI/KARTER	PASSA-CABOS/CAIXA	PRZELOTKA PRZEWODU/OBUDOWA	1
1050	65300810	ВОЗДУШНАЯ ЗАСЛОНКА HAVA KLAPESI	ALETA DE AR	PRZEPUSTNICA POWIETRZA	1
1060	65300527	СЕРВОДВИГАТ. STE 4,5 B0.37/6-R +КАБЕ. L600 SERVOMOTOR STE 4,5 B0.37/6-R KABLO L600	SERVOMOTOR STE 4,5 B0.37/6-R +CABO L600	SERWOMOTOR STE 4,5 B0.37/6-R +KABEL L600	1
1070	13011096	РАБОЧЕЕ КОЛЕСО D180X75 D12,7 TÜRBİN D180X75 D12,7	TURBINA D180X75 D12,7	WIMIK D180X75 D12,7	1
1080	13011186	РЕЗИНОВАЯ ВОРОНКА DIM34X15/12 - 1XD.6,20 KABLO KANALI DIM34X15/12 - 1XD.6,20	FUNIL DIM34X15/12 - 1XD.6,20	PRZELOTKA DIM34X15/12 - 1XD.6,20	1
1081	13020685	МУФТА ПРОПУСКА ПРОВОДА D34x15/12 1xD3,25 KABLO KANALI DIM34x15/12 1xD3,25	PASSA-FIO DIM34x15/12 1xD3,25	PRZELOTKA PRZEWODU D34x15/12 1xD3,25	1
1090	65300568	ПЛАСТИНА ПЕРЕКРЫВАНИЯ KARAMA PLAKASI	PLACA DE BLOQUEIO	PLYTA ZAMYKAJĄCA	1
1100	13007807	СМОТРОВОЕ ОКНО D14/D18 RÖGAR CAMI D14/D18	VIGIA D14/D18	SZKŁO PODGLĄDU D14/D18	1
1110	65300812	ЧЕХОЛ VECTRON4+ВИНТ КРЕПЛЕНИЯ MUHAFAZA KAPAĞI VECTRON4+BAĞLANTI VIDA	EXTRATOR VECTRON4+PARAFUSO DE FIXAÇÃO	POKRYWA VECTRON4+SRUBA MOCUJĄCA	1
1120	65300519	ВИНТ С ПЛОСКОЙ ГОЛОВКОЙ M5X15 DÜZ BAŞLI VIDA M5X15	PARAFUSO CABEÇA PLANA M5X15	ŚRUBA Z ŁBEM NITOWYM PŁASKIM M5X15	1
1130	65327491	ОТБОР ДАВЛЕНИЯ G1/8+TUBE D4/6 L53 90° BASINÇ GİRİŞİ G1/8+TUBE D4/6 L53 90°	TOMADA P.AR G1/8+TUBO D4/6 L53 90°	GNIAZDO P.CIŚNIEN.G1/8+TUBE D4/6 L53 90°	1
1140	13015497	ТРУБА D4/7 L500 СИЛИКОНОВЫЙ BORU D4/7 L500 SILIKON	MANGUEIRA D4/7 L500 SILICONE	PRZEWÓD D4/7 L500 SILIKON	1
1160	65301170	ЭЛЕКТРОДВИГАТЕЛЬ0,42KW230V D12,7 TRI C113 MOTORU 0,42KW230V D12,7 TRI C113	MOTOR 0,42KW230V D12,7 TRI C113	SILNIK 0,42KW230V D12,7 TRI C113	1
1170	13020723	КРОНШТЕЙН ПНЕВМОРЕЛЕ D32 HAVA BASINÇ ŞALTERİ MESNEDİ D32	BASE MANÓSTATO AR D32	WSPORNIK CZUJNIKA CIŚNI. POWIET. D32	1
1180	13020722	РЕЛЕ ДАВ. ВОЗДУХА 604.92 1-10MB+RAST HAVA BASINÇ ŞALT. 604.92 1-10MB+RAST	MANÓSTATO DE AR 604.92 1-10MB+RAST	CZUJNIK CIŚ. POW. 604.92 1-10MB+RAST	1
1190	65327476	УПЛОТНЕНИЕ ВСПЕНЕННОЕ EPDM D2,3 L485 KÖPÜKLÜ MÜHÜR EPDM D2,3 L485	SELO ESPUMADO EPDM D2,3 L485	USZCZELNIENIE SPIENIONE EPDM D2,3 L485	1
1505	65300679	ДЕРЖАТЕЛЬ КАБЕЛЯ D6 (X10) KABLO KELEPÇESİNİN D6 (X10)	SUPORTE DO CABO PRETO D6 (X10)	ZACISK KABLOWY D6 (X10)	1
1510	65300158	КАБЕЛЬ ИОНИЗАЦ. MC4/RAST1P L350 İYONİZASYON KABLOSU MC4/RAST1P L350	CABO IONIZACION MC4/RAST1P L350	PRZEWÓD JONIZACYJNY MC4/RAST1P L350	1
1530	65301179	БЛОК УПРАВЛЕНИЯ TCG 811.00 KUTU TCG 811.00	PROGRAMADOR TCG 811.00	MODUŁ TCG 811.00	1
1540	65300524	ОПОРА БЛОКА УПРАВЛЕНИЯ+ДИСПЛЕЙ KUTU DESTEĞİ+EKRAN	SUPORTE UNIDADE DE CONTROLE+VISOR	WSPORNIK MODUŁU+WYŚWIETLACZ	1
1550	65301109	ДИСПЛЕЙ БЛОК УПРАВЛЕНИЯ TCG-TCH REL. 2.2 EKRAN İÇİN KUTU TCG-TCH R2.2 + KABLOSU	VISOR/PROGRAMADOR TCG-TCH RELEASE 2.2	WYŚWIETLACZ/MODUŁ TCG-TCH R2.2 + PRZEWÓD	1
1560	65300531	КАБЕЛЬ+ШТЕКЕР WIE. 4P/RAST3P L250 KABLOSU+FIŞ WIE. 4P/RAST3P L250	CABO+TOMADA WIE. 4P/RAST3P L250	PRZEWÓD+WTYCZKA WIE. 4P/RAST3P L250	1
1570	65300570	КАБЕЛЬ ГАЗОВЫЙ КЛАПАН+P.DIN/RAST5P L1500 GAZ VANASI KABLOSU+PLUGDIN/RAST5P L1500	CABO VALVULA GAS+TOMADA DIN/RAST5P L1500	PRZEWÓD ZAWÓR GAZOWY+P.DIN/RAST5P L1500	1
1580	13023698	КАБЕЛЬ РЕЛЕ ДАВ. ГАЗА+P.DIN/RAST2P L1500 GAZ BAS.ŞALT.KABLOSU+P.DIN/RAST2P L1500	CABO PRESSOST.GAS+TOMAD.DIN/RAST2P L1500	PRZEWÓD CZUJN.CIŚ.GAZU+DIN/RAST2P L1500	1
1590	65300619	КАБЕЛЬ ТРАНСФО РОЗЖИГА+ШТ.2P/RAST2P L350 KABLOSU ATEŞL. TRAFO.+FIŞ 2P/RAST2P L350	CABO TRANSFO IGNIÇÃO+TOM.2P/RAST2P L350	PRZEWÓD TRANSFO ZAPŁ.+WTY.2P/RAST2P L350	1
1600	13010519	КАБЕЛЬ ЭЛЕКТРОДВИГАТЕЛЬ+P.3P/RAST3P L300 MOTORU KABLOSU+FIŞ 3P/RAST3P L300	CABO MOTOR+TOMADA 3P/RAST3P L300	PRZEWÓD SILNIK+WTYCZKA 3P/RAST3P L300	1
1700	13017722	КОМПЛЕКТ РЕЛЕ ROELE KİTİ	CONJUNTO RELÉS	ZESTAW PRZEKAŹNIK	1
1701	13017720	ДЕРЖАТЕЛЬ РЕЛЕ FIN 95.05 95.05 FIN RÖLE KAİDESİ	SUPORTE RELÉ FIN 95.05	WSPORNIK PRZEKAŹNIKA FIN 95.05	1
1702	13017721	РЕЛЕ + ЗАЖИМ RÖLE + KLİP	RELÉ + MOLAS	PRZEKAŹNIK + CLIP	1
1710	65301174	ОПОРА ВАРИАТОРА HIZ VARYATÖR DESTEĞİ	SUPORTE VARIADOR	WSPORNIK REGULACJĄ PRĘDKOŚCI	1
1720	65301162	ПРИВОДЫ VFNC3S-2007 PL 0,75KW SÜRÜCÜLER VFNC3S-2007 PL 0,75KW	CONVERSOR FREQ. VFNC3S-2007 PL 0,75KW	PRZETWORNICA VFNC3S-2007 PL 0,75KW	1
1730	65301175	КОЖУХ ВАРИАТОРА MUHAFAZA KAPAĞI HIZ VARYATÖR	COBERTURA VARIADOR	POKRYWA REGULACJĄ PRĘDKOŚCI	1
1750	65301163	КАБЕЛЬ ПРИВОДЫ +PLUG2P 2X0,75 L910 KABLOSU SÜRÜCÜLER+FIŞ 2P 2X0,75 L910	CABO CONVERS.FREQ.+TOMADA 2P 2X0,75 L910	PRZEWÓD PRZETWORNICA+PLUG2P 2X0,75 L910	1

		RU TR	PT	PL	X
1760	65301164	КАБЕЛЬ+PLUG7P/PLUG7P L450+RKCF13-A5 KABLOSU+FIŞ 7P/FIŞ 7P L450+RKCF13-A5	CABO+TOMADA 7P/TOMADA 7P L450+RKCF13-A5	PRZEWÓD+PLUG7P/PLUG7P L450+RKCF13-A5	1
1770	65301165	КАБЕЛЬ ПРИВОДЫ +P.3P M+F 3X0,75 L270 KABLOSU SÜRÜCÜLER+PL.3P M+F 3X0,75 L270	CABO CONVERS.FREQ.+TOM.3P M+F 3X0,75L270	PRZEWÓD PRZETWORNI.+PL.3P M+F 3X0,75 L270	1
1780	65301167	КАБЕЛЬ РЕЛЕ/БЛОК УПРА.+PL.3P 2X0,75 L310 RÖLE KABLOSU/KUTU+FIŞ 3P 2X0,75 L310	CABO RELE/PROGRAMADOR+TOM.3P 2X0,75 L310	PRZEWÓD PRZEKAŹNIK/MODUŁ+3P 2X0,75 L310	1
2020	65111864	ДЕФЛЕКТОР D120/30X25 62DRIL. DEFLEKTOR D120/30X25 62DRIL.	DEFLECTOR D120/30X25 62DRIL.	DEFLEKTOR D120/30X25 62DRIL.	1
2021	65324717	ДИФФУЗОР GPL D33/5,5X10 8 DRILL. D1,5 LPG DIFÜZÖRLER D33/5,5X10 8 DRILL. D1,5	DIFUSOR GPL D33/5,5X10 8 DRILL. D1,5	DYSZ LPG D33/5,5X10 8 DRILL. D1,5	1
2040	65324331	ЭЛЕКТРОД ЗАЖИГАНИЯ D10X100 d6,4 D3X7 ATEŞLEYİCİ ELEKTROD D10X100 d6,4 D3X7	ELETRODO ENCENDIDO D10X100 d6,4 D3X7	ELEKTRODA ALU. D10X100 d6,4 D3X7	1
2050	65324694	ОГНЕВАЯ ГОЛОВКА L78 D107/35 4 BRANCH. GAZ KAFA L78 D107/35 4 BRANCH.	CABEÇA GAS L78 D107/35 4 BRANCH.	GŁOWICA GAZ L78 D107/35 4 BRANCH.	1
2051	65324714	ДИФФУЗОР ГАЗА D14/10 L37 OPEN. 3X10 GAZ DIFÜZÖRLER D14/10 L37 OPEN. 3X10	DIFUSOR GAS D14/10 L37 OPEN. 3X10	DYSZ GAZU D14/10 L37 OPEN. 3X10	1
	65324715	ДИФФУЗОР ГАЗА D14/8 L37 1 DRILL. D3,25 GAZ DIFÜZÖRLER D14/8 L37 1 DRILL. D3,25	DIFUSOR GAS D14/8 L37 1 DRILL. D3,25	DYSZ GAZU D14/8 L37 1 DRILL. D3,25	1
2052	65324539	КРЫШКА ОГНЕВАЯ ГОЛОВ. D88 L33 2XD6,5 4 BR. TAPA GAZ KAFA D88 L33 2XD6,5 4 BR.	TAMPA CABEÇA GAS D88 L33 2XD6,5 4 BR.	NAKR.GŁOWICA GAZ D88 L33 2XD6,5 4 BR.	1
2060	65320950	ДАТЧИК ИОНИЗАЦИОННОГО D10X100 d6,4D3X100 İYONIZASYON SONDA D10X100 d6,4 D3X100	SONDA IONIZACION D10X100 d6,4 D3X100	SONDA JONIZACYJNY D10X100 d6,4 D3X100	1
2070	65326130	КАБЕЛЬ РОЗЖИГА D4/D4 L1010 ELBOW PLUG ATEŞLEME KABLOSU D4/D4 L1010 ELBOW PLUG	CABO ENCENDIDO D4/D4 L1010 ELBOW PLUG	PRZEWÓD ALU.D4/D4 L1010 ELBOW PLUG	1
	65326132	КАБЕЛЬ РОЗЖИГА D4/D4 L690 ELBOW PLUG ATEŞLEME KABLOSU D4/D4 L690 ELBOW PLUG	CABO ENCENDIDO D4/D4 L690 ELBOW PLUG	PRZEWÓD ALU.D4/D4 L690 ELBOW PLUG	1
2080	65327471	КАБЕЛЬ ИОНИЗАЦИОННОГО D5 L650 D4M/D7F İYONIZASYON KABLOSU D5 L650 D4M/D7F	CABO IONIZACION D5 L650 D4M/D7F	PRZEWÓD JONIZACYJNY D5 L650 D4M/D7F	1
	65327477	КАБЕЛЬ ИОНИЗАЦИОННОГО D5 L790 D4M/D7F İYONIZASYON KABLOSU D5 L790 D4M/D7F	CABO IONIZACION D5 L790 D4M/D7F	PRZEWÓD JONIZACYJNY D5 L790 D4M/D7F	1
2090	65327473	ТРУБКА ГАЗОВЫЕ D35/40 L270 TUPLU GAZ D35/40 L270	TUBO GAS D35/40 L270	BORUSU GAZOWY D35/40 L270	1
	65327479	ТРУБКА ГАЗОВЫЕ D35/40 L410 TUPLU GAZ D35/40 L410	TUBO GAS D35/40 L410	BORUSU GAZOWY D35/40 L410	1
2100	65327472	РЕГУЛИР.СТЕРЖЕНЬ D8-D6 L407 AYAR ÇUBUĞU D8-D6 L407	HASTE AJUSTE D8-D6 L407	TRZPIEŃ REGULACYJNY D8-D6 L407	1
	65327478	РЕГУЛИР.СТЕРЖЕНЬ D8-D6 L547 AYAR ÇUBUĞU D8-D6 L547	HASTE AJUSTE D8-D6 L547	TRZPIEŃ REGULACYJNY D8-D6 L547	1
2110	65300821	РЕГУЛИР.СТЕРЖЕНЬ D8/12/10 L172+SPACER L45 AYAR ÇUBUĞU D8/12/10 L172+SPACER L45	HASTE AJUSTE D8/12/10 L172+ESPACADOR L45	TRZPIEŃ REG.D8/12/10 L172+ODSTEPNIK L45	1
2120	65300554	ВЕРНЬЕР+СТОПОРНОЕ КОЛЬЦО VERNİYE+HALKA SEGMAN	ESCALA DE REGULAÇÃO+ANÉIS DE RETENÇÃO	GŁĘBOKOŚCIOMIERZ Z NONIUSZEM+PIERŚCIEŃ S	1
2130	13015499	О-КОЛЬЦО D45X4 O-RING D45X4	O-RING D45X4	O-RING D45X4	1
2140	65327475	СОПЛО ГОРЕЛКИ D150/157/116X277 BRÜLÖR BORUSU D150/157/116X277	TUBO QUEIMADOR D150/157/116X277	RURA PALNIKA D150/157/116X277	1
	65327480	СОПЛО ГОРЕЛКИ D150/157/116X417 BRÜLÖR BORUSU D150/157/116X417	TUBO QUEIMADOR D150/157/116X417	RURA PALNIKA D150/157/116X417	1
2141	65301184	ТРУБКА ОТБОРА ДАВЛЕНИЯ ТОП.КАМЕР OSAK TERTİBATI BASINÇ BORU. LG.200MM	TUBO DE PRESSÃO FORNALHA COMP.200MM	PRZEWÓD CIŚNIENIA W PALENISKU	1
	65301185	ТРУБКА ОТБОРА ДАВЛЕ. В ТОПОЧНОЙ КАМЕРЕ OSAK TERTİBATI BASINÇ BORUSU LG.350MM	TUBO DE PRESSÃO DO FORNO LG.350MM	PRZEWÓD CIŚNIENIA W PALENISKU LG.350MM	1
2150	65327474	ПРОКЛАДКА/ФЛАНЕЦ ГОРЕЛКИ 242X242X8 D161 CONTASI/BRULOR FLANŞI 242X242X8 D161	GAXETA/FLANGE QUEIMADOR 242X242X8 D161	USZCZELKA/KOŁNIERZ PAL. 242X242X8 D161	1
2170	13007804	ВИНТ M6 (ЛЕВ РЕЗЬБ) КРЕПЛ. ТРУБ ГОРЕЛКИ BRÜLÖR TÜRÜ M6 TESPİT VIDASI(SOLA DÖNÜŞ)	PARAFUSO M6 (PASSO ESQ.) TUBO QUEIMADOR	ŚRUBA M6 (LEWOSKRĘTNA) MOC. RURĘ PALNIKA	1
2180	65300557	ВИНТ+ГАЙКА M8X40 BRÜLOER BORU BAĞLANTISI M8X40	PARAFUSO+PORCA M8X40	MOCOWANIA RURY PALNIKA M8X40	1
2190	13016814	КОМПЛЕКТ 4 ГАЙКИ M10 + ШПИЛЬКИ M10X40 KIT 4 SOMUNLAR M10 + SAPLAMALAR M10X40	KIT 4 PORCAS M10+PRISIONEIROS M10X40	ZESTAW 4 NAKRĘTKI M10 + KOŁKI M10X40	1
3005	13011796	ФЛАНЕЦ/КОЛЛЕКТОР CPL. RP2 FLANŞ/KOLEKTÖR CPL. RP2	COLETOR COMPLETO RP2	KOŁNIERZ/KOLEKTOR CPL. RP2	1
	13014011	КОЛЛЕКТОР CPL. RP3/4 CPL. RP3/4 KOLEKTÖR	COLETOR COMPLETO RP3/4	KOLEKTOR CPL. RP3/4	1
	13014012	КОЛЛЕКТОР CPL. RP 1"1/4 CPL. RP 1"1/4 KOLEKTÖR	COLETOR COMPLETO RP 1"1/4	KOLEKTOR CPL. RP 1"1/4	1
3006	13011367	СТАБИЛИЗАТОР + СТОПОРНОЕ КОЛЬЦО D60 STABILİZATÖR + CIRCİLIPS D60	ESTABILIZADOR+ANÉIS RETENÇÃO D60	STABILIZATOR+CIRCİLIPS D.60	1
3007	13009722	ДАТЧИК ДАВЛЕНИЯ R1/8 R1/8 BASINÇ PRİZİ	TOMADA DE PRESSÃO R1/8	GNAZDO CIŚNIENIOWE R1/8	1
3022	13020682	ШТУЦЕР "БАНДЖО" LCK-G1/8-PK4 "BANJO" RAKOR LCK-G1/8-PK4	CONEXÃO "BANJO" LCK-G1/8-PK4	ZŁĄCZE "BANJO" LCK-G1/8-PK4	1



		RU		PT		PL		
		TR						
3040	13007859	ФЛАНЕЦ MB420 RP2 + ПРИНИМАЯ ДАВЛЕНИЕ FLANŞI MB420 RP2 + ALARAK BASINÇ	FLANGE MB420 RP2 + TOMADA PRESSÃO	KOŁNIERZ MB420 RP2 + WTYCZKA CIŚNIENIA	1			
	13010074	ФЛАНЕЦ MB405/407 RP3/4 +O-RING FLANŞI MB405/407 RP3/4 +O-RING	FLANGE MB405/407 RP3/4 +O-RING	KOŁNIERZ MB405/407 RP3/4 +O-RING	1			
	13022858	ФЛАНЕЦ MB412 RP1 1/4 FLANŞI MB412 RP1 1/4	FLANGE MB412 RP1 1/4	KOŁNIERZ MB412 RP1 1/4	1			
3100	13010082	ГАЗОВЫЙ КЛАПАН MBVEF412 B01 S10 RP1 1/4 GAZ VANASI MBVEF412 B01 S10 RP1 1/4	VALVULA GAS MBVEF412 B01 S10 RP1 1/4	ZAWÓR GAZ. MBVEF412 B01 S10 RP1 1/4	1			
	13011113	ГАЗОВЫЙ КЛАПАН MBVEF407 B01 S30 RP3/4 GAZ VANA. MBVEF407 B01 S30 RP3/4 PL=1,2	VALVULA GAS MBVEF407 B01 S30 RP3/4	ZAWÓR GAZ.MBVEF407 B01 S30 RP3/4"PL=1,2	1			
	13011725	ГАЗ. КЛ-Н MBVEF420 B01 S10 RP2"+FP GAZ VANASI MBVEF420 B01 S10 RP2"+FP	VÁLVULA GÁS MBVEF420 B01 S10 RP2"+FP	ZAWÓR GAZ. MBVEF420 B01 S10 RP2"+FP	1			
3110	13010078	РЕЛЕ ДАВ. ВОЗДУХА GW 150 A5 5-150MB GAZ BASINÇ ŞALT. GW 150 A5 5-150MB	PRESSOSTATO GAS GW 150 A5 5-150MB	CZUJNIK CIŚ. GAZU GW 150 A5 5-150MB	1			
3120	13010083	ОБМОТКА DUN N° 1105 MBVEF407 N° 1105 MBVEF407 DUN BOBINİ	BOBINA DUN N° 1105 MBVEF407	CEWKA DUN NR 1105 MBVEF407	1			
	13010084	ОБМОТКА DUN N° 1205 MBVEF412 N° 1205 MBVEF412 DUN BOBINİ	BOBINA DUN N° 1205 MBVEF412	CEWKA DUN NR 1205 MBVEF412	1			
	13011726	ОБМОТКА DUN № 1215 MBVEF420 N° 1215 MBVEF420 DUN BOBINİ	BOBINA DUN N° 1215 MBVEF420	CEWKA DUN NR 1215 MBVEF420	1			
3140	13007901	ФИЛЬТРУЮЩИЙ ЭЛЕМЕНТ СЕТКА MB..420 FILTRE ELEMANI KAFES MB..420	ELEMENTO FILTRANTE GRADE MB..420	WKŁAD FILTRA KRATA MB..420	1			
	13016011	ФИЛЬТРУЮЩИЙ ЭЛЕМЕНТ MB..405-407 FILTRE ELEMANI MB..405-407	ELEMENTO FILTRANTE MB..405-407	WKŁAD FILTRA MB..405-407	1			
	13016012	ФИЛЬТРУЮЩИЙ ЭЛЕМЕНТ MB..410-412 FILTRE ELEMANI MB..410-412	ELEMENTO FILTRANTE MB..410-412	WKŁAD FILTRA MB..410-412	1			
	65326948	ФИЛЬТРУЮЩИЙ ЭЛЕМЕНТ D20 /MB..405/407 FILTRE ELEMANI D20 /MB..405/407	ELEMENTO FILTRANTE D20 /MB..405/407	WKŁAD FILTRA D20 /MB..405/407	1			
	65327438	ФИЛЬТРУЮЩИЙ ЭЛЕМЕНТ D30 / MB..410/412 FILTRE ELEMANI D30 / MB..410/412	ELEMENTO FILTRANTE D30 / MB..410/412	WKŁAD FILTRA D30 / MB..410/412	1			
3150	13022464	ТРУБКА ОТБОРА ДАВЛЕНИЯ ГАЗА MBVEF 407 GAZ BASINÇ BORUSU MBVEF 407+RAKOR.	TUBO DE PRESSÃO GÁS MBVEF407+CONEXÃO	RURA CIŚNIE. GAZU MBVEF 407+ZŁĄCZEM	1			
	65300649	ТРУБКА ОТБОРА ДАВЛЕНИЯ ГАЗА MBVEF412 GAZ BASINÇ BORUSU MBVEF412+RAKOR.	TUBO DE PRESSÃO GÁS MBVEF412+CONEXÃO	RURA CIŚNIE. GAZU MBVEF412+ZŁĄCZEM	1			
	65300669	ТРУБКА ОТБОРА ДАВЛЕНИЯ ГАЗА MBVEF420 GAZ BASINÇ BORUSU MBVEF420+RAKOR.	TUBO DE PRESSÃO GÁS MBVEF420+CONEXÃO	RURA CIŚNIE. GAZU MBVEF420+ZŁĄCZEM	1			
3160	13023188	УГЛОВОЙ ШТУЦЕР DIRSEKLI RAKOR	CONEXÃO COTOVELO	ZŁĄCZKA TYPU KOLANKO	1			
3170	13023187	ШТУЦЕР G1/8 + УПЛОТНЕНИЕ RAKOR G1/8 + CONTA	CONEXÃO G1/8+JUNTA	ZŁĄCZE G1/8 + USZCZELKA	1			
3200	65300575	О-КОЛЬЦА D70X3+D36X3 (2)+D11X2/MB..407 O-RING KIT D70X3+D36X3 (2)+D11X2/MB..407	KIT O-RING D70X3+D36X3 (2)+D11X2/MB..407	ZEST.O-RING D70X3+D36X3 (2)+D11X2/MB.407	1			
	65300576	О-КОЛЬЦА D70X3+D50X3 (2)+D11X2/MB..412 O-RING KIT D70X3+D50X3 (2)+D11X2/MB..412	KIT O-RING D70X3+D50X3 (2)+D11X2/MB..412	ZEST.O-RING D70X3+D50X3 (2)+D11X2/MB.412	1			
	65300671	О-КОЛЬЦА D70X3+D86X3 (2)D11X2/MB..420 O-RING KIT D70X3+D86X3 (2)D11X2/MB..420	KIT O-RING D70X3+D86X3 (2)D11X2/MB..420	ZEST.O-RING D70X3+D86X3 (2)D11X2/MB..420	1			
3410	13009700	ГАЗ ФИЛЬТР ВНЕШНИЙ RP2 RP2 HARİCİ GAZ FİLTRESİ	FILTRO GÁS EXTERNO RP2	FILTR GAZU	1			
	13010092	ВНЕШНИЙ ГАЗОВЫЙ ФИЛЬТР RP1 DIŞ GAZ FİLTRESİ RP1	FILTRO GÁS RP 1	FILTR GAZU	1			
3411	13010044	ФИЛЬТРУЮЩИЙ ЭЛЕМЕНТ GF 520+O-RING FILTRE ELEMANI GF 520+O-RING	ELEMENTO FILTRANTE GF 520+O-RING	WKŁAD FILTRA GF 520+O-RING	1			
	13010093	ФИЛЬТРУЮЩИЙ ЭЛЕМЕНТ GF 510-515+O-RING FILTRE ELEMANI GF 510-515+O-RING	ELEMENTO FILTRANTE GF 510-515+O-RING	WKŁAD FILTRA GF 510-515+O-RING	1			

ADDRESSES

www.elco.net



LIST OF THE ABBREVIATIONS

-  : Maintenance parts / Pièces d'entretien / Materiali di consumo /
: Piezas de mantenimiento / Hilfsmaterial / Onderhoudsonderdelen
-  : Wearing parts / Pièces d'usure / Parti di usura
: Piezas de desgaste / Verschleissteile / Slijtageonderdelen
- * : Item not stocked, manufactured to order / Article non stocké, fabrication à la demande /
: Articolo non a magazzino, produzione all'ordine / Artículo no almacenado, fabricación previa solicitud /
: Keine Lagerware, wird bei Bedarf bestellt, Artikel niet op voorraad, fabricage op bestelling

IDENTIFICATION PLATE

SERIAL NUMBER

7 Characters : 00001 / K A

Sequential number

Trimester of manufacture : from A to D
Year of manufacture : K → 2003
L → 2004
M → 2005
etc ...

8 Characters : 00001 / L 09

Sequential number

Month of manufacture
Year of manufacture : K → 2003
L → 2004
M → 2005
etc ...

11 Characters : 2007 1370 P 07

Year of manufacture

Month of manufacture
Year of manufacture : P → 2007
R → 2008
S → 2009
T → 2010
U → 2011
W → 2012
X → 2013
Y → 2014
Z → 2015

Sequential number

18 Characters : 070115 000000000001

Sequential number
Manufacturing day (07) / Month (01) / Year (15)

The indications mentioned on the prices, commercial or technical literature and the scheme are written for your guidance and are available at a given time. The CONSTRUCTOR retains the power to modify the presentation, the form, the size, the conception or the material of the products.