



SPARE PARTS EXPLODED VIEW GAS BURNERS

Model

CB-VG6M(V)/TC (/PED)

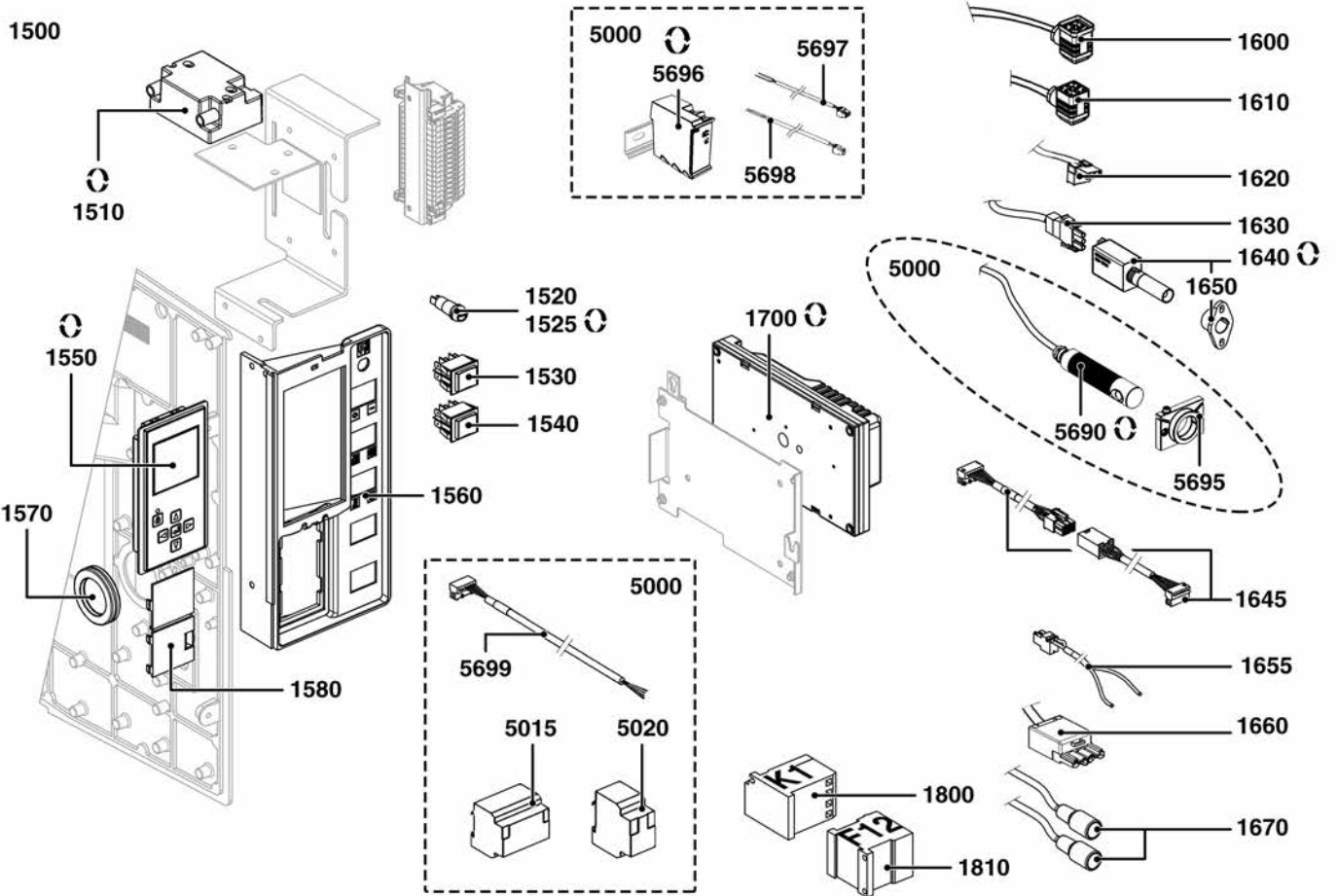
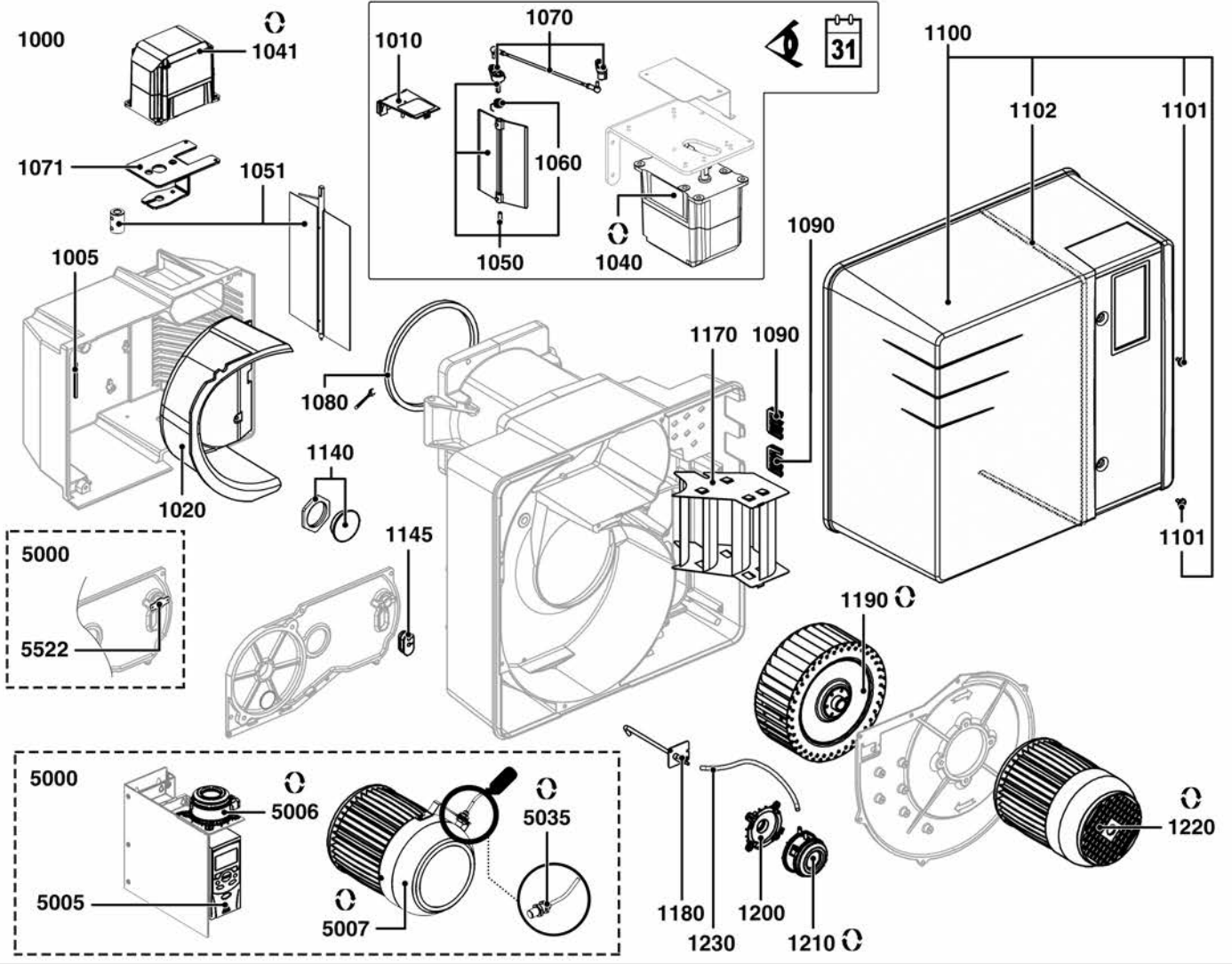
R8220136-04 - 20/07/2016

CB-VG6M(V)/TC (/PED)

Gas burners

1	3833687	BB-VG6.1600 M /TC	01-2013	-
2	3834671	BB-VG6.1600 M/TC/PED	04-2015	-
3	3834754	BB-VG6.1600 MV /TC	09-2015	-
4	3834758	BB-VG6.1600 MV /TC/PED	09-2015	-
5	3833688	BB-VG6.2100 M /TC	01-2013	-
6	3834672	BB-VG6.2100 M/TC/PED	04-2015	-
7	3834755	BB-VG6.2100 MV /TC	09-2015	-
8	3834759	BB-VG6.2100 MV /TC/PED	09-2015	-
9	3833422	CH-G0731-T1/KN	02-2011	-
10	3833484	CH-G0731 - T2/KL	10-2011	-
11	3833615	CH-G0731 - T3/KM	10-2011	-
12	3834659	GT-D420-1"1/2-RP2" /TC	02-2015	-
13	3834660	GT-D421-2"-RP2" /TC	02-2015	-
14	3834661	GT-D422-65-DN65 /TC	02-2015	-
15	3834662	GT-S42-65-DN65 /TC	02-2015	-

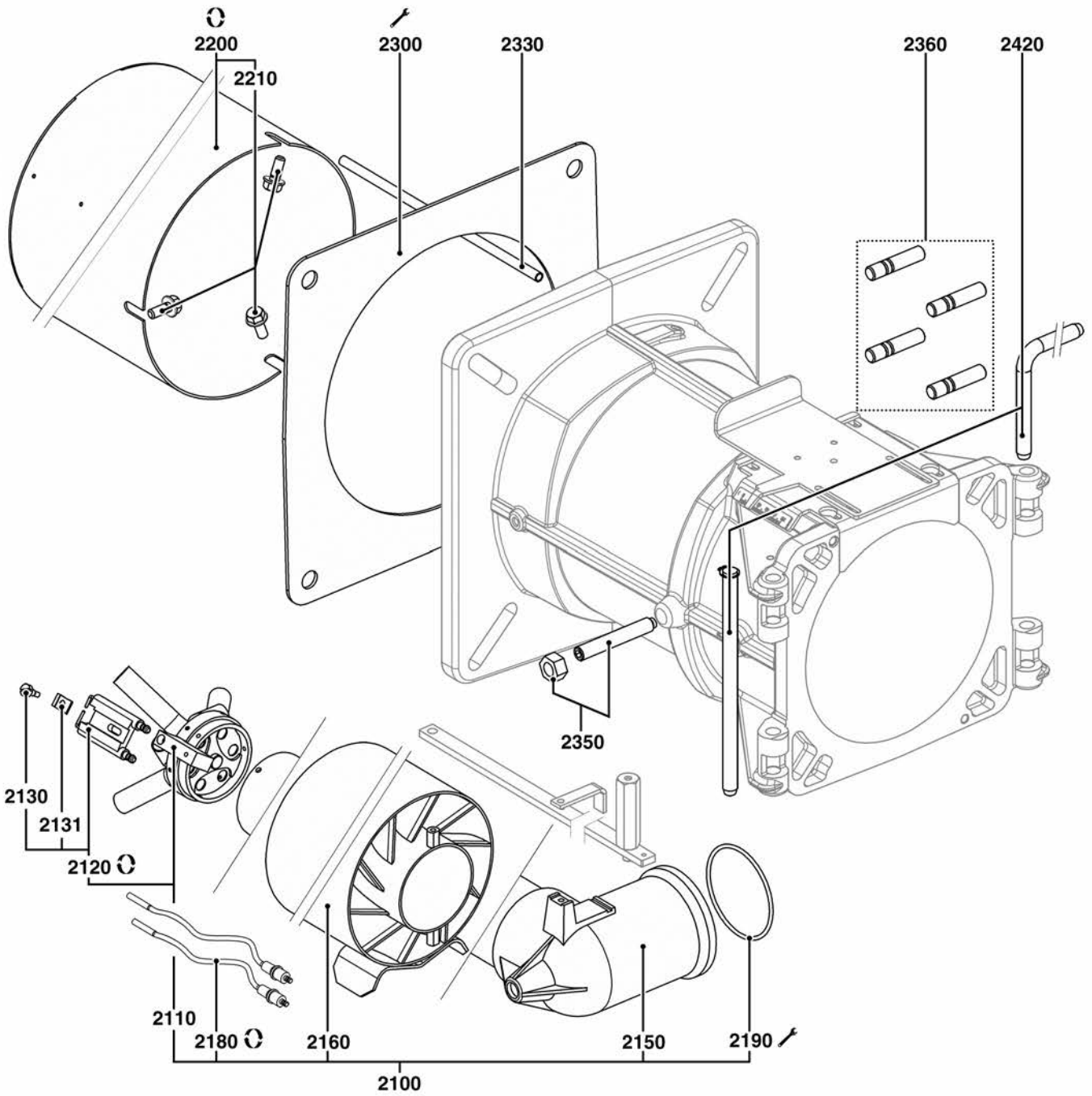
Col	Reference	Model type	Begin	End
-----	-----------	------------	-------	-----



☉⇒	Description	Manf. Pt N	Type	<div style="display: flex; justify-content: space-between; font-size: small;"> BB-VG6-1600 M /TC BB-VG6-1800 M /TC BB-VG6-1800 MV /TC BB-VG6-1800 MV /TC BB-VG6-2100 M /TC BB-VG6-2100 MV /TC CH-G0731-11KN CH-G0731-12KN GT-D420-1-1/2-RP2 /TC GT-D421-2-RP2 /TC GT-S42-65-DN65 /TC </div>																		From	to
				1	2	3	4	5	6	7	8	9	10	11	12	13	14	15	16	17	18		
1000	BURNER BODY																						
1005	AIR BOX GASKET	13009640		•	•	•	•	•	•	•													
1010	AIR BOX COVER	13009642		•				•													03/15		
1020	AIR BOX INSULATION	13009641		•	•	•	•	•	•	•													
1040	ACTUATOR STE 4,5 Q3.51/6 R 3NM	65301001		•	•	•	•	•	•	•											03/15		
1041	ACTUATOR STE 4,5 Q3.51/6 L 3NM	65326804		•	•	•	•	•	•	•										04/15			
1050	AIR FLAP WITH FITTINGS	13014117		•				•													03/15		
1051	AIR FLAP CPL.	65326227			•	•	•		•	•	•												
	AIR FLAP CPL.	65326227		•				•												04/15			
1060	AIR SPRING (GREY)	13011751		•				•													03/15		
1070	COUPLING CPL.	65301070		•				•													03/15		
1071	SERVOMOTOR HOLDER	65326226			•	•	•		•	•	•												
	SERVOMOTOR HOLDER	65326226		•				•												04/15			
1080	CASING GASKET	13010055		•	•	•	•	•	•	•													
1090	GROMMET/HOUSING	13016845		•	•	•	•	•	•	•													
1100	HOOD VECTRON5 AND V6+MOUNTING SCREW	65301016		•	•	•	•	•	•	•													
1101	FLAT HEAD SCREW M5X15	65300519		•	•	•	•	•	•	•													
1102	GASKET STRIP/COVER	13009772		•	•	•	•	•	•	•													
1140	INSPECTION GLASS	13010008		•	•	•	•	•	•	•													
1145	CABLE GROMMET	13009648		•	•	•	•	•	•	•													
1170	AIR RECTIFIER	13009748		•	•	•	•	•	•	•													
1180	PRESSURE TAP	13009738		•	•	•	•	•	•	•													
1190	FAN WHEEL D240X114 d24	13009736		•	•	•	•																
	FAN WHEEL D250X114 d24	13009737						•	•	•													
1200	AIR PRESSURE SWITCH BASE D32	13020723		•	•			•	•														
1210	AIR PRESS.SWITCH 604.92 1-10MB	65300021		•	•			•	•														
1220	MOTOR 2.2KW230/400V D24+PLUG	13009739		•	•																		
	MOTOR 2.5KW230/400V D24+PLUG	13009740						•	•														
1230	D4/6 TUBE	13014337		•	•	•	•	•	•	•													
1500	ELECTRIC PART																						
1510	IGNITION TRANSFORMER EBI 2X7.5 230V	13009663		•	•	•	•	•	•	•													
1520	FUSE HOLDER + FUSE 6.3A	13016457		•	•	•	•	•	•	•													
1525	FUSE 5X20 6.3A	13016028		•	•	•	•	•	•	•													
1530	OPERATING SWITCH ON/OFF	13010007		•	•	•	•	•	•	•													
1540	OPERATING SWITCH - OPERATION	13014009		•	•	•	•	•	•	•													
1550	DISPLAY FOR CONTROL UNIT BT3XX	65300975		•	•	•	•	•	•	•													
1560	PLASTIC CONTROL BOARD	65300992		•	•	•	•	•	•	•													
1570	CABLE GROMMET D54/D47/D36	65300993		•	•	•	•	•	•	•													
1580	SHUTTER/CONSOLE	13009661		•	•	•	•	•	•	•													
1600	CABLE+CONNECTOR/GAS PRESSURE SWITCH	65301060		•	•	•	•	•	•	•													
1610	CABLE+CONNECTOR/GAS VALVE	65301061		•	•	•	•	•	•	•													
1620	CABLE+CONNECTOR/IGNITER	65301062		•	•	•	•	•	•	•													
1630	PHOTOCELL IRD.1020.1 CABLE+CONNECT.	65301063		•	•	•	•	•	•	•													
1640	PHOTOCELL IRD 1020.1 WHITE AXIAL	65301035		•	•	•	•	•	•	•													
1645	CABLE+CONNECTOR/GAS SERVOMOTOR	65301111		•	•	•	•	•	•	•													
1650	PHOTOCELL HOLD.M93 FOR IRD1020.1	13010461		•	•	•	•	•	•	•													
1655	CABLE+CONNECTOR/AIR PRESSURE SWITCH	65300046		•	•	•	•	•	•	•													
1660	CABLE L560+PLUG 4P/MOTOR	65301000		•	•	•	•	•	•	•													
1670	IGNITION CABLE	13009743		•	•	•	•	•	•	•													
1700	CONTROL UNIT LCG 911 BT320	65300964		•				•															
	CONTROL UNIT LCG911.02	65326450	FQ					•			•												
	CONTROL UNIT LCG921.01 BT330 UV	65326219	PED					•			•												
	CONTROL UNIT LCG921.03	65326452	FQ+PED					•			•												
1800	CONTACTOR	13009778		•	•	•	•	•	•	•													
1810	THERMAL RELAY LR2K 5.5-8.0A	13009746		•	•	•	•	•	•	•													
5000	ACCESSORY																						
5005	FREQUENCY INVERTER ABB ACS 2,2 KW	65326445	FQ					•	•														
	FREQUENCY INVERTER ABB ACS 3 KW	65326446	FQ								•	•											
5006	AIR PRESS.SWITCH 604.92 1-10MB	65300021						•	•		•	•											
5007	MOTOR 2,2KW+ROTAT. SENSOR/INVERTER	65326448	FQ					•	•														
	MOTOR 2,5KW+ROTAT. SENSOR/INVERTER	65326449	FQ								•	•											
5015	LCM100 MODULE (LSB-M 667R0500-1)	65311790						•	•		•	•											
5020	VMS100 MODULE	65311918	FQ					•	•		•	•											
5035	NAMUR SENSOR	1658418384	FQ					•	•		•	•											
5522	COVER FOR PHOTOCELL LOCATION	65321365	PED					•	•		•	•											
5690	PHOTOCELL FFS08-UV1 659D31 - 5M W/O	65312274	PED					•	•		•	•											
5695	HOLDER FOR FLAME DETECTOR FFS06/FFS08	65312242	PED					•	•		•	•											
5696	CONSOLE LAMTEC F152 659G0501	65312275	PED					•	•		•	•											
5697	CABLE POWER SUPPLY FOR F152	65326222	PED					•	•		•	•											
5698	CABLE UV FOR BT3XXX	65326221	PED					•	•		•	•											
5699	CONNECTION CABLE BT300/LCM100 667P0515	65312244						•	•		•	•											

CB-VG6M(V)/TC (/PED)

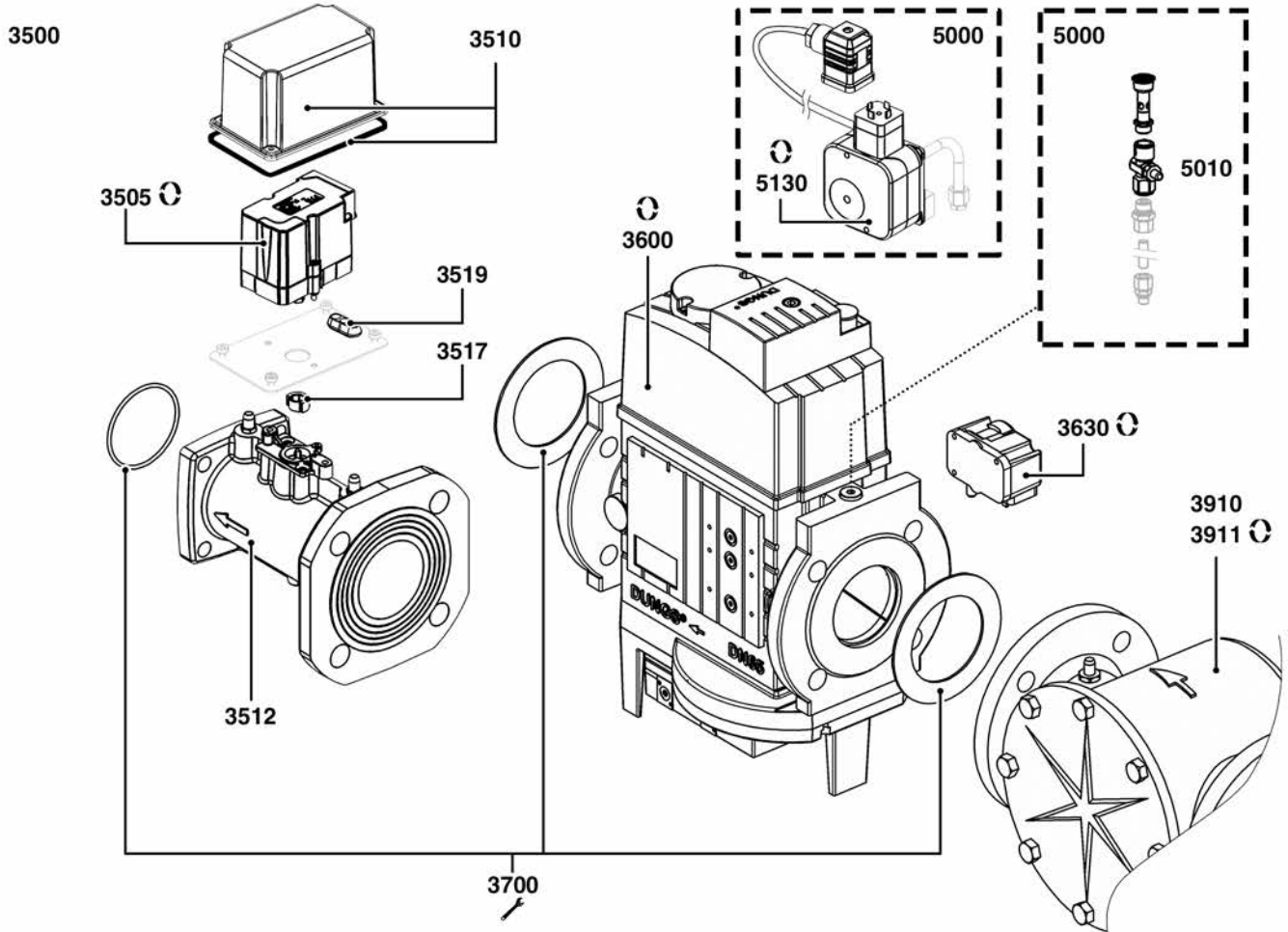
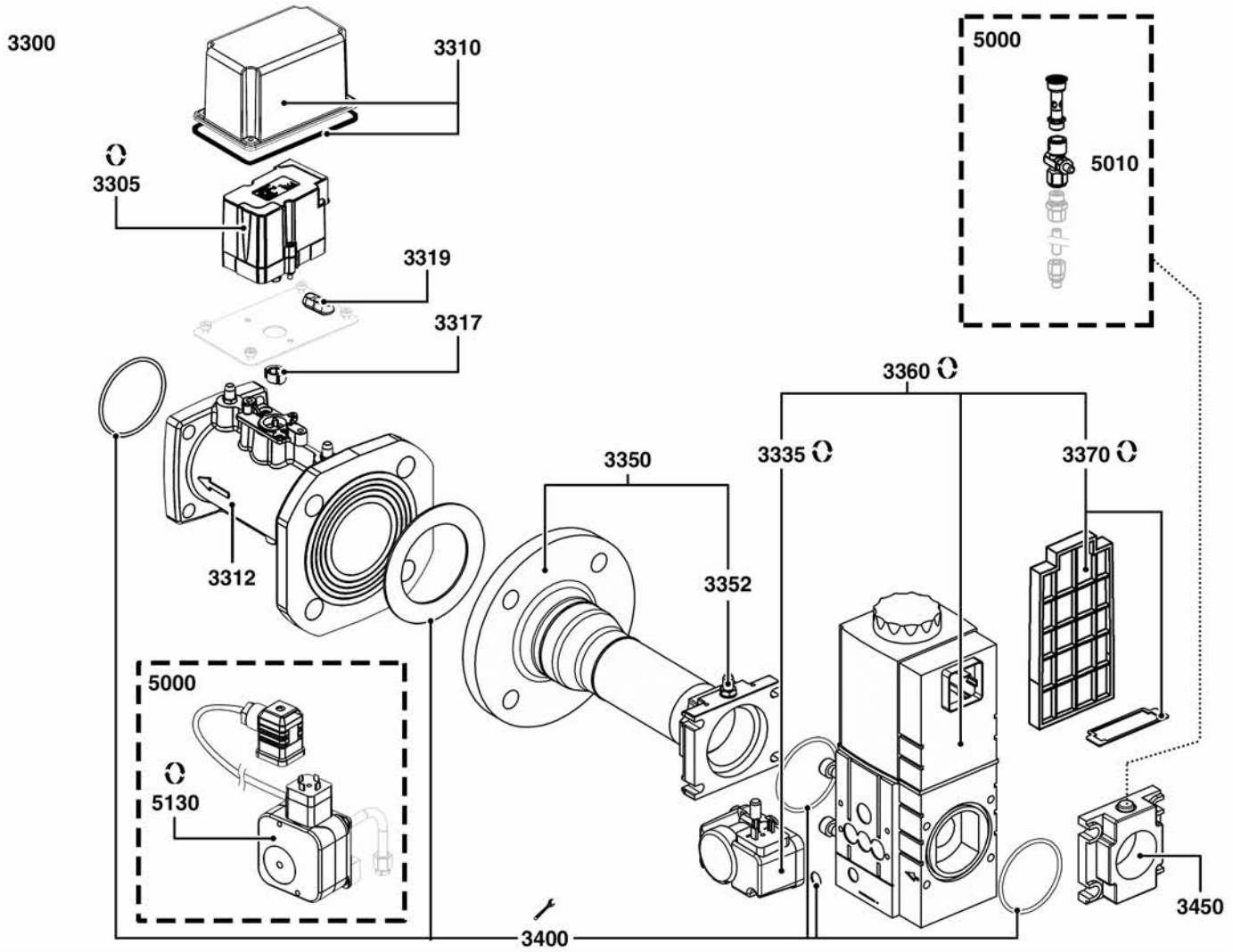
Gas burners



☉⇒	Description	Manf. Pt. N	Type	<div style="display: flex; justify-content: space-between; font-size: 8px; text-align: center;"> BB-VG6-1600 M /TC BB-VG6-1800 M /TC BB-VG6-1800 MV /TC BB-VG6-1800 MV /TC BB-VG6-2100 M /TC BB-VG6-2100 M /TC BB-VG6-2100 MV /TC BB-VG6-2100 MV /TC CH-G0731-T1KN CH-G0731-T2KL CH-G0731-T3KM GT-D421-1-RP2 /TC GT-D421-2-RP2 /TC GT-D422-85-DN65 /TC GT-S42-65-DN65 /TC </div>																		From	to
				1	2	3	4	5	6	7	8	9	10	11	12	13	14	15	16	17	18		
2000	COMBUSTION HEAD																						
2100	GAS LINE WITH FITTINGS T1/KN	65301027								●													
	GAS LINE WITH FITTINGS T2/KL	65301028									●												
	GAS LINE WITH FITTINGS T3/KM	65301029										●											
2110	GAS DIFFUSER ASSEMBLY	65301030								●	●	●											
2120	ELECTROD.BLOC.27X55 d6,4 D2X23 45°+SCREW	13009726								●	●	●											
2130	WASHER HEAD SCREW M4/ELECTRODES BLOCK	13010049								●	●	●											
2131	FLANGE 20X11X2,6 FIX. ELECTRODE	13009725								●	●	●											
2150	GAS ELBOW+TUBE LG.506	65301117								●													
	GAS ELBOW+TUBE LG.606	65301119										●											
	GAS ELBOW+TUBE LG.706	65301118										●											
2160	SWIRLER	65301120								●	●	●											
2180	IGNITION CABLES L950	13009727								●	●	●											
2190	O-RING D.75X4	13009731								●	●	●											
2200	FLAME TUBE D227/157 L380	65301031								●													
	FLAME TUBE D227/157 L530	65301033										●											
	FLAME TUBE D227/157 L623	65301032										●											
2210	BURNER TUBE SCREW FIX. KIT (X3)	13009723								●	●	●											
2300	GASKET/BOILER FRONT 326X335X3	13009719								●	●	●											
2330	FURNACE PRESSURE TUBE LG. 250MM	65300252								●													
	FURNACE PRESSURE TUBE LG. 350MM	65300597										●	●										
2350	MOUNTING SCREW+NUT M12X80	65300854								●	●	●											
2360	STUDS SET M12X40+NUT	13022998								●	●	●											
2420	HINGE KIT	13009724								●	●	●											

CB-VG6M(V)/TC (/PED)

Gas burners



☉⇒	Description	Manf. Pt N	Type	<div style="display: flex; justify-content: space-between; font-size: 8px; text-align: center;"> BB-VG6-1600 M /TC BB-VG6-1600 M/TC/PED BB-VG6-1600 MV /TC BB-VG6-1600 MV /TC/PED BB-VG6-2100 M /TC BB-VG6-2100 M/TC/PED CH-G0731-T1/KN CH-G0731-T2/KL GT-D420-T1/2-RP2 /TC GT-D421-T2-RP2 /TC GT-D422-85-DN65 /TC GT-S42-65-DN65 /TC </div>																		From	to
				1	2	3	4	5	6	7	8	9	10	11	12	13	14	15	16	17	18		
3300	GAS TRAIN																						
3305	ACTUATOR STE 4,5 B037/6 R	65300980											•	•									
3310	ACTUATOR COVER	65312327											•	•									
3312	GAS THROTTLE DN65	65301268											•	•									
3317	ROTATION STOP F. SHAFT STE4.5 0.8NM	65301267											•	•									
3319	GROMMET DIM.34X15/12 D.6,2	65312458											•	•									
3335	GAS PRESS. SWITCH GW 150 A5 30-150MB DIN	13010078											•	•									
3350	COMPLETE COLLECTOR RP2	13009693											•	•									
3352	PRESSURE TAP R1/8	13009722											•	•									
3360	GAS VALVE MBC1200 SE S82 RP2"	65300008												•									
	GAS VALVE MBC700 SE S82 RP1"1/4	13022996											•										
3370	SCREEN FILTER/GAS VALVE MBC1200	13022417												•									
	SCREEN FILTER/GAS VALVE MBC700	13022416												•									
3400	GASKET SET MBC700/1200 DN	65301065											•	•									
3450	FLANGE MB415/420 RP1 1/2	13007858											•	•									
3500	GAS TRAIN																						
3505	ACTUATOR STE 4,5 B037/6 R	65300980																	•				
3510	ACTUATOR COVER	65312327																	•				
3512	GAS THROTTLE DN65	65301268																	•				
3517	ROTATION STOP F. SHAFT STE4.5 0.8NM	65301267																	•				
3519	GROMMET DIM.34X15/12 D.6,2	65312458																	•				
3600	GAS VALVE MBC1900 SE DN65	65301067																	•				
3630	GAS PRESS. SWITCH GW 150 A5 30-150MB DIN	13010078																	•				
3700	GASKET SET MBC1900 DN	65301066																	•				
3910	EXTERNAL GAS FILTER DN65	13009703																	•				
3911	GAS FILTERING ELEMENT DN65 WITH GASKET	13009704																	•				
5000	ACCESSORY																						
5010	TRIAL BURNER WITH PUSH-BUTTON PB2	65311362												•	•	•							
5130	MAX. GAS PRES. SWITCH UB50 A2+CABLE L600	65326220	PED											•	•	•							

CB-VG6M(V)/TC (/PED)

Gas burners

☉⇒	Description	Manf. Pt. N	Type	BB-VG6-1600 M /TC BB-VG6-1600 M /TC/PED BB-VG6-1600 MV /TC BB-VG6-1600 MV /TC/PED BB-VG6-2100 M /TC BB-VG6-2100 M /TC/PED BB-VG6-2100 MV /TC BB-VG6-2100 MV /TC/PED CH-G0731-T1KN CH-G0731-T2IKL GT-D420-T1/2-RP2 /TC GT-D421-T1/2-RP2 /TC GT-D422-85-DN65 /TC GT-S42-65-DN65 /TC																		From	to
				1	2	3	4	5	6	7	8	9	10	11	12	13	14	15	16	17	18		
4000	GAS TRAIN																						
4005	ACTUATOR STE 4,5 BO37/6 R	65300980																			•		
4010	ACTUATOR COVER	65312327																			•		
4012	GAS THROTTLE DN65	65301268																			•		
4017	ROTATION STOP F. SHAFT STE4.5 0.8NM	65301267																			•		
4019	GROMMET DIM.34X15/12 D.6,2	65312458																			•		
4030	CONNECTING CABLE SKP	13020958																			•		
4100	GAS VALVE VGD40 065 DN65	65323661																			•		
4102	GAS ACTUATOR SKP25.003E2 W.O.END SWITCH	65107100																			•		
4105	GAS SERVOM. SKP15.000E2 W/O LIMIT SW.	13020951																			•		
4110	GAS PRESS. SWITCH GW 150 A5 30-150MB DIN	13010078																			•		
4150	GAS PRESSURE TUBE WITH UNION	65301068																			•		
4160	ANGLED UNION	13023188																			•		
4170	STRAIGHT UNION	13009721																			•		
4200	GASKET SET MBC1900 DN	65301066																			•		
4410	EXTERNAL GAS FILTER DN65	13009703																			•		
4411	GAS FILTERING ELEMENT DN65 WITH GASKET	13009704																			•		
5000	ACCESSORY																						
5010	TRIAL BURNER WITH PUSH-BUTTON PB2	65311362																			•		
5130	MAX. GAS PRES. SWITCH UB50 A2+CABLE L600	65326220	PED																		•		

CB-VG6M(V)/TC (/PED)

Gas burners

		DE NL	FR ES	IT	X
1005	13009640	DICHTUNG LUFTKASTEN DICHTING LUCHTKAST	JOINT BOITE A AIR JUNTA CAJA DE AIRE	GUARNIZIONE SCATOLA DELL'ARIA	1
1010	13009642	ABDECKUNG LUFTKASTEN DEKSEL LUCHTKAST	COUVERCLE BOITE A AIR TAPA CAJA DE AIRE	COPERCHIO SCATOLA DELL'ARIA	1
1020	13009641	ISOLIERUNG LUFTKASTEN ISOLATIE LUCHTKAST	ISOLATION BOITE A AIR AISLAMIENTO CAJA DE AIRE	ISOLAMENTO SCATOLA DELL'ARIA	1
1040	65301001	STELLANTRIEB STE 4,5 Q3.51/6 R 3NM REGELMOTOR STE 4,5 Q3.51/6 R 3NM	SERVOMOTEUR STE 4,5 Q3.51/6 R 3NM SERVOMOTOR STE 4,5 Q3.51/6 R 3NM	SERVOMOTORE STE 4,5 Q3.51/6 R 3NM	1
1041	65326804	STELLANTRIEB STE 4,5 Q3.51/6 L 3NM REGELMOTOR STE 4,5 Q3.51/6 L 3NM	SERVOMOTEUR STE 4,5 Q3.51/6 L 3NM SERVOMOTOR STE 4,5 Q3.51/6 L 3NM	SERVOMOTORE STE 4,5 Q3.51/6 L 3NM	1
1050	13014117	AUSGERÜSTETE LUFTKLAPPE VOLLEDIGE LUCHTKLEP	VOLET D'AIR EQUIPE REJILLA DE AIRE EQUIPADA	SERRANDA DELL'ARIA EQUIPAGGIATA	1
1051	65326227	KOMPL. LUFTKLAPPE COMPLETE LUCHTKLEP	VOLET D'AIR EQUIPE VÁLVULA DE AIRE EQUIPADA	SERRANDA DELL'ARIA EQUIPAGGIATA	1
1060	13011751	GRAUE FEDER/ LUFT VEER GRIJS/ LUCHT	RESSORT GRIS/ AIR RESORTE GRIS/ AIRE	MOLLA GRIGIA/ ARIA	1
1070	65301070	UEBERTRAGUNGSTANGE BG+WINKELGELENK COMPLETE KOPPELING	ACCOUPEMENT EQUIPE ACOPLAMIENTO EQUIPADO	ACCOPIAMENTO EQUIPAGGIATO	1
1071	65326226	STELLANTRIEBHALTER STEUN REGELMOTOR	SUPPORT SERVOMOTEUR SOPORTE SERVOMOTOR	SUPPORTO SERVOMOTORE	1
1080	13010055	GEHÄUSEDICHTUNG DICHTING CARTER	JOINT CARTER JUNTA CÁRTER	GUARNIZIONE CARTER	1
1090	13016845	KABELDURCHFUEHRUNG/GEHAEUSE DRAADDOORVOER/BRANDERHUIS	PASSE FIL/CARTER PASACABLES/CÁRTER	PASSAFILO/ CARTER	1
1100	65301016	BRENNERHAUBE VECTRON5 U. V6 KPL. COMPLETE KAP VECTRON5 EN V6	CAPOT VECTRON5 ET V6+VIS CUBIERTA VECTRON5 Y V6 EQUIPADA	COFANO V5 E V6 EQUIPAGGIATO	1
1101	65300519	FLACHKOPFSCHRAUBE M5X15 PLATKOPFSCHROEF M5X15	VIS A TETE PLATE M5X15 TORNILLO DE CABEZA PLANA M5X15	VITE A TESTA PIANA M5X15	1
1102	13009772	DICHTBAND / HAUBE DICHTINGSSTRIP / BRANDERKAP	BANDE D'ETANCHEITE / CAPOT BANDA ESTANQUEIDAD / CUBIERTA	NASTRO SIGILLANTE/ COPERTURA	1
1140	13010008	SCHAUGLAS KIJKGLAS	VERRE DE REGARD VISOR	VISORE DI CALDAIA	1
1145	13009648	KABELDURCHFÜHRUNG DRAADGELEIDER	PASSE FIL PASACABLES	PASSA FILO	1
1170	13009748	LUFTGLEICHRICHTER LUCHTRECICLAGE	REDRESSEUR D'AIR RECTIFICADOR DE AIRE	RADDRIZZATORE D'ARIA	1
1180	13009738	DRUCKANSCHLUSS DRUKAANSLUITING	PRISE DE PRESSION TOMA DE PRESIÓN	PRESA DI PRESSIONE	1
1190	13009736	LÜFTERRAD D240X114 d24 VENTILATOR D240X114 d24	TURBINE D240X114 d24 TURBINA D240X114 d24	TURBINA D240X114 d24	1
	13009737	LÜFTERRAD D250X114 d24 VENTILATOR D250X114 d24	TURBINE D250X114 d24 TURBINA D250X114 d24	TURBINA D250X114 d24	1
1200	13020723	HALTER LUFTDRUCKWAECHTER D32 STEUN MANOSTAAT HUBA D32	SUPPORT MANOSTAT AIR D32 SOPORTE DEL MANOSTATO DE AIRE D32	SUPPORTO PRESSOSTATO DELL'ARIA D32	1
1210	65300021	LUFTDRUCKWACHTER 604.92 1-10MB LUCHTDRUKSCHAKELAAR 604.92 1-10MB	MANOSTAT AIR 604.92 1-10MB PRESOSTATO AIRE 604.92 1-10MB	PRESSOSTATO ARIA 604.92 1-10MB	1
1220	13009739	MOTOR 2,2KW230/400V D24+STECKER MOTOR 2,2KW230/400V D24+STEKKER	MOTEUR 2,2KW230/400V D24+PRISE MOTOR 2,2KW230/400V D24+TOMA	MOTORE 2,2KW230/400V D24+PRESA	1
	13009740	MOTOR 2,5KW230/400V D24+STECKER MOTOR 2,5KW230/400V D24+STEKKER	MOTEUR 2,5KW230/400V D24+PRISE MOTOR 2,5KW230/400V D24+TOMA	MOTORE 2,5KW230/400V D24+PRESA	1
1230	13014337	SCHLAUCH D4/6 BUIJS D4/6	TUYAU D4/6 TUBO D4/6	TUBO D4/6	1
1510	13009663	ZUENDTRAF0 EBI 2X7,5 230V ONTSTEKINGSTRAFO EBI 2X7,5 230V	ALLUMEUR EBI 2X7,5 230V ENCENDEDOR EBI 2X7,5 230V	TRASFORMATORE ACCENSIONE EBI 2X7,5 230V	1
1520	13016457	SICHERUNGHALTER+SICHERUNG 6.3A ZEKERINGHOUDER+ZEKERING 6,3A	PORTE FUSIBLE+FUSIBLE 6.3A PORTA FUSIBLE+FUSIBLE 6.3A	PORTAFUSIBILE + FUSIBILE 6.3A	1
1525	13016028	FEINSICHERUNG 5X20 6,3 A (TRAEGE) ZEKERING 5X20 6.3A	FUSIBLE 5X20 6.3A (CALIBRE) FUSIBLE 5X20 6.3A	FUSIBILE 5X20 6.3A	1
1530	13010007	SCHALTER EIN/AUS SCHAKELAAR ON/OFF	INTERRUPTEUR MARCHE/ARRET INTERRUPTOR	INTERRUTTORE ON/OFF	1
1540	13014009	BETRIEBSSCHALTER SCHAKELAAR - BEDRIFJ	INTERRUPTEUR - FONCTIONNEMENT INTERRUPTOR	INTERRUTTORE - FUNZIONAMENTO	1
1550	65300975	ANZEIGE FUR FEUERUNGSAUTOMAT BT3XX DISPLAY VOOR BRANDERAUTOMAAT BT3XX	AFFICHEUR POUR COFFRET BT3XX PANTALLA PARA PROGRAMADOR BT3XX	DISPLAY PER APPARECCHIATURA BT3XX	1
1560	65300992	BEDIENFELD KUNSTSTOFF PLASTIC BEDIENINGSPANEEL	PUPIRE DE COMMANDE PLASTIQUE PUPITRE DE MANDO PLÁSTICO	QUADRO DI COMANDO PLASTICO	1
1570	65300993	KABELDURCHFUEHRUNG D54/D47/D36 DRAADDOORVOER D54/D47/D36	PASSE FIL D54/D47/D36 PASACABLE D54/D47/D36	PASSA FILO D54/D47/D36	1
1580	13009661	VERSCHLUSS / BEDIENFELD AFSLUITER / BEDIENINGSPANEEL	OBTURATEUR / PUPITRE OBTURADOR / TABLERO	OTTURATORE / QUADRO	1
1600	65301060	KABEL+STECKER/GASDRUCKWAECHTER KABEL+STEKKER/GAS DRUKBEWAKER	CABLE+PRISE/MANOSTAT GAZ CABLE+TOMA/MANOSTATO GAS	CAVO+PRESA/PRESSOSTATO GAS	1

☰	XXXXXXXXXX	DE	FR	IT	X
		NL	ES		
1610	65301061	KABEL+STECKER/GASVENTIL KABEL+STEKKER/GASKLEP	CABLE+PRISE/VANNE GAZ CABLE+TOMA/VÁLVULA GAS	CAVO+PRESA/VALVOLA GAS	1
1620	65301062	KABEL M. STECKER F. ZUENDTRAFO KABEL+STEKKER/ONTSTEKER	CABLE+PRISE/ALLUMEUR CABLE+TOMA/ENCENDEADOR	CAVO+PRESA/ACCENDITORE	1
1630	65301063	KABEL M. STECK. F. FLAMMENWAECHT. IRD KABEL VAN DE CEL IRD.1020.1+STEKKER	CABLE CELLULE IRD.1020.1+PRISE CABLE DEL DETECTOR DE LLAMA IRD.1020.1	CAVO RIVELATORE DI FIAMMA IRD.1020.1	1
1640	65301035	FOTOZELLE IRD 1020.1 WEISS AXIAL FOTOCEL IRD 1020.1 WIT AXIAL	CELLULE IRD 1020.1 BLANC AXIAL CELULA IRD 1020.1 BLANCO AXIAL	CELLULA IRD 1020.1 BIANCO AXIAL	1
1645	65301111	KABEL M. STECKER F. STELLANTRIEB GAS KABEL+STEKKER/SERVOMOTOR GAS	CABLE+PRISE SERVOMOTEUR GAZ CABLE+TOMA/ SERVOMOTOR GAS	CAVO+PRESA/ SERVOMOTORE GAS	1
1650	13010461	FOTOZELLENHALTER M93 ZU IRD1020.1 STEUN FOTOCEL M93 VOOR IRD1020.1	SUPPORT CELLULE M93 POUR IRD1020.1 SOPORTE M93 DE LA CELULA IRD1020.1	SOSTEGNO RIVELAT. M93 PER IRD1020.1	1
1655	65300046	KABEL M. STECKER F. LUFDRUCKWAECHTER KABEL+STEKKER/LUCHTDRIUKBEWAKER	CABLE+PRISE/MANOSTAT AIR CABLE+TOMA/MANOSTATO AIRE	CAVO+PRESA/PRESSOSTATO ARIA	1
1660	65301000	KABEL L560+STECKER 4P/MOTOR KABEL L560+STEKKER 4P/MOTOR	CABLE L560+PRISE 4P/MOTEUR CABLE L560+TOMA 4P/MOTOR	CAVO LUNGH. 560MM + PRESA 4 POLI/MOTORE	1
1670	13009743	ZÜNDKABEL ONTSTEKINGSKABEL	CABLE ALLUMAGE CABLE ENCENDIDO	CAVO ACCENSIONE	1
1700	65300964	FEUERUNGSAUTOMAT LCG 911 BT320 BRANDERAUTOMAAT LCG 911 BT320	COFFRET LCG 911 BT320 PROGRAMADOR LCG 911 BT320	APPARECCHIATURA LCG 911 BT320	1
	65326219	FEUERUNGSAUT. LCG921.01 BT330 UV BRANDERAUT. LCG921.01 BT330 UV	COFFRET LCG921.01 BT330 UV PROGRAMADOR LCG921.01 BT330 UV	APPARECCH. LCG921.01 BT330 UV	1
	65326450	FEUERUNGSAUTOMAT LCG911.02 BRANDERAUTOMAAT LCG911.02	COFFRET LCG911.02 PROGRAMADOR LCG911.02	APPARECCHIATURA LCG911.02	1
	65326452	FEUERUNGSAUTOMAT LCG921.03 BRANDERAUTOMAAT LCG921.03	COFFRET LCG921.03 PROGRAMADOR LCG921.03	APPARECCHIATURA LCG921.03	1
1800	13009778	SCHALTSCHÜTZ SCHAKELAAR	CONTACTEUR CONTACTOR	CONTATTORE	1
1810	13009746	MOTORSCHUTZRELAIS LR2K 5.5-8.0A THERMISCH RELAIS LR2K 5,5-8,0A	RELAIS THERMIQUE LR2K 5.5-8.0A RELÉ TÉRMICO LR2K 5.5-8.0A	RELÈ TERMICO LR2K 5.5-8.0A	1
2100	65301027	STERNGASKOPF KPL. MONTIERT T1/KN GASLIJN COMPLEET T1/KN	LIGNE GAZ EQUIPEE T1/KN LÍNEA DE GAS EQUIPADA T1/KN	LINEA GAS COMPLETA T1/KN	1
	65301028	STERNGASKOPF KPL. MONTIERT T2/KL GASLIJN COMPLEET T2/KL	LIGNE GAZ EQUIPEE T2/KL LÍNEA DE GAS EQUIPADA T2/KL	LINEA GAS COMPLETA T2/KL	1
	65301029	STERNGASKOPF KPL. MONTIERT T3/KM GASLIJN COMPLEET T3/KM	LIGNE GAZ EQUIPEE T3/KM LÍNEA DE GAS EQUIPADA T3/KM	LINEA GAS COMPLETA T3/KM	1
2110	65301030	GASKOPF-SET GAS VERSTUIVEREENHEID	ENSEMBLE TETE GAZ CONJUNTO DIFUSOR DE GAS	GRUPPO TESTA GAS	1
2120	13009726	ZUENDELEKTROD.27X55 d6,4D2X23 45° +SCHR. ELEKTRODENBLOK 27X55 d6,4D2X23 45°+SCHR.	BLOC-ELECTRODES 27X55 d6,4D2X23 45° +VIS BLOQ.ELECTRO.27X55 d6,4D2X23 45°+TORNIL.	BLOC.ELETTRODI 27X55 d6,4D2X23 45° +VITE	1
2130	13010049	ANSATZSCHRAUBE M4/ELEKTRODENBLOK KRAAGSCHROEF M4/ELEKTRODEBLOK	VIS EPAULEE M4/BLOC-ELECTRODES TORN.ALLEN M4/BLOQUE-ELECTRODOS	VITE CON SPALLAMENTO M4/BLOCCO ELETTRODI	1
2131	13009725	FLANSCH 20X11X2,6 FIX. ZUENDELEKTRODE FLENS 20X11X2,6 FIX. ONTSTEKINGSPEN	BRIDE 20X11X2,6 FIX. ELECTRODE BRIDA 20X11X2,6 FIX. ELECTRODO	FLANGIA 20X11X2,6 FIX. ELETTRODO	1
2150	65301117	GASROHR LG.506 ELLEBOOG GAS+BUIJS LG.506	COUDE GAZ+TUBE LG.506 CODO GAS LG.506	GOMITO GAS+TUBO LG.506	1
	65301118	GASROHR LG.706 ELLEBOOG GAS+BUIJS LG.706	COUDE GAZ+TUBE LG.706 CODO GAS LG.706	GOMITO GAS+TUBO LG.706	1
	65301119	GASROHR LG.606 ELLEBOOG GAS+BUIJS LG.606	COUDE GAZ+TUBE LG.606 CODO GAS LG.606	GOMITO GAS+TUBO LG.606	1
2160	65301120	DRALLKOERPER WERVELKRANS	TURBULATEUR TURBULENCIADOR	VORTICIZZATORE	1
2180	13009727	ZÜNDKABEL L950 ONTSTEKINGSKABELS L950	CABLES ALLUMAGE L950 CABLES ENCENDIDO L950	CAVI ACCENSIONE L950	1
2190	13009731	O-RING D.75X4 O-RING D.75X4	O'RING D.75X4 JUNTA TÓRICA D.75X4	O'RING D.75X4	1
2200	65301031	FLAMMENROHR D227/157 L380 BRANDERBUIJS D227/157 L380	TUBE DE FLAMME D227/157 L380 TUBO DE LLAMA D227/157 L380	BOCCAGLIO D227/157 L380	1
	65301032	FLAMMENROHR D227/157 L623 BRANDERBUIJS D227/157 L623	TUBE DE FLAMME D227/157 L623 TUBO DE LLAMA D227/157 L623	BOCCAGLIO D227/157 L623	1
	65301033	FLAMMENROHR D227/157 L530 BRANDERBUIJS D227/157 L530	TUBE DE FLAMME D227/157 L530 TUBO DE LLAMA D227/157 L530	BOCCAGLIO D227/157 L530	1
2210	13009723	BEF.SCHRAUBENKIT BRENNERROHR (X3) KIT BEV.SCHROEF BRANDERBUIJS (X3)	KIT VIS FIX. TUBE BRULEUR (X3) KIT TORN.FIJ. TUBO QUEMADOR (X3)	KIT VITI FISS. TUBO BRUCIATORE (X3)	1
2300	13009719	DICHTUNG/KESSELTÜR 326X335X3 DICHTUNG KLINGERIT 326X335X3	JOINT/FAÇADE CHAUDIERE 326X335X3 JUNTA/FRENTE CALDERA 326X335X3	GUARN./LATO FRONTALE CALDAIA 326X335X3	1
2330	65300252	DRUCKROHR/FEUERRAUM LG. 250MM BUIJS KAMERDRUK LG. 250MM	TUBE PRESSION FOYER LG. 250MM TUBO DE PRESIÓN DEL HOGAR LG. 250MM	TUBO PRESSIONE CAMERA LG. 250MM	1
	65300597	DRUCKROHR/FEUERRAUM LG. 350MM BUIJS KAMERDRUK LG. 350MM	TUBE PRESSION FOYER LG. 350MM TUBO DE PRESIÓN DEL HOGAR LG. 350MM	TUBO PRESSIONE CAMERA LG. 350MM	1
2350	65300854	BEFESTIGUNGSSCHRAUBE+MUTTER M12X80 BEVESTIGINGSSCHROEF+MOER M12X80	VIS DE FIXATION+ECROU M12X80 TORNILLO DE FIJACIÓN+TUERCA M12X80	VITE DI FISSAGGIO+DADO M12X80	1

		DE	FR	IT	X
		NL	ES		
2360	13022998	STEBOLZEN-SET M12X40+MUTTER SET TAPEINDEN M12X40+MOER	KIT GOUJONS M12X40+ECROU KIT PASADORES M12X40+TUERCA	SET PRIGIONIERI M12X40+DADO	1
2420	13009724	ACHSENKIT KIT ASSEN	KIT AXES KIT EJES	KIT ASSI	1
3305	65300980	STELLANTRIEB STE 4,5 BO37/6 R SERVOMOTOR STE 4,5 BO37/6 R	SERVOMOTEUR STE 4,5 BO37/6 R SERVOMOTOR STE 4,5 BO37/6 R	SERVOMOTORE STE 4,5 BO37/6 R	1
3310	65312327	HAUBE F. SCHRITTMOTOR KAP SERVOMOTOR	CAPOT SERVOMOTEUR CUBIERTA SERVOMOTOR	COPERCHIO SERVOMOTORE	1
3312	65301268	GASKLAPPE KPL. DN65 GASKLEP DN65	CLAPET GAZ COMPLET DN65 VALVOLA DEL GAS DN65	VALVOLA DEL GAS DN65	1
3317	65301267	DREH-ANSCHLAG F. WELLE STE4.5 0.8NM AANSLAG ROT. /AS STE 4.5 0,8 NM	BUTEE ARRET ROTAT./AXE STE4.5 0.8NM TOPE ROTACION/EJE STE4.5 0.8NM	PERNO ARRESTO ROTAZ. ALBERO STE4.5 0.8NM	1
3319	65312458	KABELDURCHFUEHRUNG DIM.34X15/12 D.6,2 DRAADDOORVOER DIM.34X15/12 D.6,2	PASSE-FIL DIM.34X15/12 D.6,2 PASACABLE DIM.34X15/12 D.6,2	PASSA FILO DIM.34X15/12 D.6,2	1
3335	13010078	GASDRUCKWÄCHTER GW 150 A5 30-150MB DIN GASDRUKREGELAAR GW 150 A5 30-150MB DIN	MANOSTAT GAZ GW 150 A5 30-150MB DIN MANOSTATO GAS GW 150 A5 30-150MB DIN	PRESSOSTATO GAS GW 150 A5 30-150MB DIN	1
3350	13009693	GASANSCHLUSSROHR KPL. RP2 GASAANSLUITBUIJS CPL. RP2	COLLECTEUR CPL. RP2 COLECTOR CPL. RP2	COLLETTORE ACC. RP2	1
3352	13009722	MESSNIPPEL R1/8 DRUKAANSLUITING R1/8	PRISE PRESSION R1/8 TOMA PRESIÓN R1/8	PRESA PRESSIONE R1/8	1
3360	13022996	GASVENTIL MBC700 SE S82 RP1"1/4 GASKLEP MBC700 SE S82 RP1"1/4	VANNE GAZ MBC700 SE S82 RP1"1/4 VALVULA GAS MBC700 SE S82 RP1"1/4	VALVOLA GAS MBC700 SE S82 RP1"1/4	1
	65300008	GASVENTIL MBC1200 SE S82 RP2" GASKLEP MBC1200 SE S82 RP2"	VANNE GAZ MBC1200 SE S82 RP2" VALVULA GAS MBC1200 SE S82 RP2"	VALVOLA GAS MBC1200 SE S82 RP2"	1
3370	13022416	FILTREINSATZ F. GASVENTIL MBC700 ZEEFFILTER/GASKLEP MBC700	FILTRE TAMIS/VANNE GAZ MBC700 FILTRO DE TAMIZ/VALVULA DE GAS MBC700	SET FILTRI/VALVOLA GAS MBC700	1
	13022417	FILTREINSATZ F. GASVENTIL MBC1200 ZEEFFILTER/GASKLEP MBC1200	FILTRE TAMIS/VANNE GAZ MBC1200 FILTRO DE TAMIZ/VALVULA DE GAS MBC1200	SET FILTRI/VALVOLA GAS MBC1200	1
3400	65301065	O'RING SET MBC700/1200 DN PAKKINGSET MBC700/1200 DN	KIT JOINTS MBC700/1200 DN KIT DE JUNTAS MBC700/1200 DN	KIT GUARNIZIONI MBC700/1200 DN	1
3450	13007858	FLANSCH MB415/420 RP1 1/2 FLENS MB415/420 RP1 1/2	BRIDE MB415/420 RP1 1/2 BRIDA MB415/420 RP1 1/2	FLANGIA MB415/420 RP1 1/2	1
3505	65300980	STELLANTRIEB STE 4,5 BO37/6 R SERVOMOTOR STE 4,5 BO37/6 R	SERVOMOTEUR STE 4,5 BO37/6 R SERVOMOTOR STE 4,5 BO37/6 R	SERVOMOTORE STE 4,5 BO37/6 R	1
3510	65312327	HAUBE F. SCHRITTMOTOR KAP SERVOMOTOR	CAPOT SERVOMOTEUR CUBIERTA SERVOMOTOR	COPERCHIO SERVOMOTORE	1
3512	65301268	GASKLAPPE KPL. DN65 GASKLEP DN65	CLAPET GAZ COMPLET DN65 VALVOLA DEL GAS DN65	VALVOLA DEL GAS DN65	1
3517	65301267	DREH-ANSCHLAG F. WELLE STE4.5 0.8NM AANSLAG ROT. /AS STE 4.5 0,8 NM	BUTEE ARRET ROTAT./AXE STE4.5 0.8NM TOPE ROTACION/EJE STE4.5 0.8NM	PERNO ARRESTO ROTAZ. ALBERO STE4.5 0.8NM	1
3519	65312458	KABELDURCHFUEHRUNG DIM.34X15/12 D.6,2 DRAADDOORVOER DIM.34X15/12 D.6,2	PASSE-FIL DIM.34X15/12 D.6,2 PASACABLE DIM.34X15/12 D.6,2	PASSA FILO DIM.34X15/12 D.6,2	1
3600	65301067	GASVENTIL MBC1900 SE DN65 GASKLEP MBC1900 SE DN65	VANNE GAZ MBC1900 SE DN65 VALVULA GAS MBC1900 SE DN65	VALVOLA GAS MBC1900 SE DN65	1
3630	13010078	GASDRUCKWÄCHTER GW 150 A5 30-150MB DIN GASDRUKREGELAAR GW 150 A5 30-150MB DIN	MANOSTAT GAZ GW 150 A5 30-150MB DIN MANOSTATO GAS GW 150 A5 30-150MB DIN	PRESSOSTATO GAS GW 150 A5 30-150MB DIN	1
3700	65301066	O'RING SET MBC1900 DN PAKKINGSET MBC1900 DN	KIT JOINTS MBC1900 DN KIT DE JUNTAS MBC1900 DN	KIT GUARNIZIONI MBC1900 DN	1
3910	13009703	EXTERNER GASFILTER DN65 FILTER GAS EXTERN DN65	FILTRE GAZ EXTERNE DN65 FILTRO GAS EXTERNO DN65	FILTRO GAS ESTERNO DN65	1
3911	13009704	GASFILTERELEMENT DN65 MIT DICHTUNG FILTERELEMENT GAS DN65 MET DICHTING	ELEMENT FILTRANT GAZ DN65 AVEC JOINT ELEMENTO FILTRANTE GAS DN65 CON JUNTA	ELEMENTO FILTRANTE GAS DN65 CON GUARNIZ.	1
4005	65300980	STELLANTRIEB STE 4,5 BO37/6 R SERVOMOTOR STE 4,5 BO37/6 R	SERVOMOTEUR STE 4,5 BO37/6 R SERVOMOTOR STE 4,5 BO37/6 R	SERVOMOTORE STE 4,5 BO37/6 R	1
4010	65312327	HAUBE F. SCHRITTMOTOR KAP SERVOMOTOR	CAPOT SERVOMOTEUR CUBIERTA SERVOMOTOR	COPERCHIO SERVOMOTORE	1
4012	65301268	GASKLAPPE KPL. DN65 GASKLEP DN65	CLAPET GAZ COMPLET DN65 VALVOLA DEL GAS DN65	VALVOLA DEL GAS DN65	1
4017	65301267	DREH-ANSCHLAG F. WELLE STE4.5 0.8NM AANSLAG ROT. /AS STE 4.5 0,8 NM	BUTEE ARRET ROTAT./AXE STE4.5 0.8NM TOPE ROTACION/EJE STE4.5 0.8NM	PERNO ARRESTO ROTAZ. ALBERO STE4.5 0.8NM	1
4019	65312458	KABELDURCHFUEHRUNG DIM.34X15/12 D.6,2 DRAADDOORVOER DIM.34X15/12 D.6,2	PASSE-FIL DIM.34X15/12 D.6,2 PASACABLE DIM.34X15/12 D.6,2	PASSA FILO DIM.34X15/12 D.6,2	1
4030	13020958	ANSCHLUSSKABEL SKP VERBINDINGSKABEL SKP	CABLE DE LIAISON SKP CABLE DE CONEXIÓN SKP	CAVO DI COLLEGAMENTO SKP	1
4100	65323661	GASVENTIL VGD40 065 DN65 GASKLEP VGD40 065 DN65	VANNE GAZ VGD40 065 DN65 VALVULA GAS VGD40 065 DN65	VALVOLA GAS VGD40 065 DN65	1
4102	65107100	STELLANTRIEB SKP25.003E2 O. ENDSCHALTER REGELMOT. GAS SKP25.003E2 Z.EINDSCHALTE	SERVOMOT. GAZ SKP25.003E2 S.FIN COURSE SERVOMOTOR SKP25.003 E2 SIN FIN CARRERA	SERVOMOT. GAS SKP25.003E2 S.FINE CORSA	1
4105	13020951	SERVOMOT. GAS SKP15.000E2 O.ENDSCHALTER SERVOMOT. GAS SKP15.000E2 Z.EINDSCHAK.	SERVOMOT. GAZ SKP15.000E2 S.FIN COURSE SERVOMOT. GAS SKP15.000E2 S.TOPE	SERVOMOT. GAS SKP15.000E2 S.FINECORS	1
4110	13010078	GASDRUCKWÄCHTER GW 150 A5 30-150MB DIN GASDRUKREGELAAR GW 150 A5 30-150MB DIN	MANOSTAT GAZ GW 150 A5 30-150MB DIN MANOSTATO GAS GW 150 A5 30-150MB DIN	PRESSOSTATO GAS GW 150 A5 30-150MB DIN	1

		RU TR	PT HR	PL	X
1005	13009640	УПЛОТНЕНИЕ ВОЗДУХОЗАБОРНИКА HAVA KUTUSU CONTASI	JUNTA CAIXA DE AR PRIKLJUČAK KOMORE ZA ZRAK	USZCZELKA SKRZYNKI POWIETRZA	1
1010	13009642	КРЫШКА ВОЗДУХОЗАБОРНИКА HAVA KUTUSU KARAĞI	TAMPA REGISTRO DE AR POKLOPAC KOMORE ZA ZRAK	POKRYWA SKRZYNKI POWIETRZA	1
1020	13009641	ИЗОЛЯЦИЯ ВОЗДУХОЗАБОРНИКА HAVA KUTUSU YALITIMI	ISOLAMENTO CAIXA DE ENTRADA DE AR IZOLACIJA KOMORE ZA ZRAK	USZCZELKA SKRZYNKI POWIETRZA	1
1040	65301001	СЕРВОДВИГАТЕЛЬ STE 4,5 Q3.51/6 3NM R SERVOMOTOR STE 4,5 Q3.51/6 R 3NM	SERVOMOTOR STE 4,5 Q3.51/6 R 3NM POKRETAČ STE 4,5 Q3.51/6 R 3NM	SERWOMOTOR STE 4,5 Q3.51/6 R 3NM	1
1041	65326804	СЕРВОДВИГАТЕЛЬ STE 4,5 Q3.51/6 3NM L SERVOMOTOR STE 4,5 Q3.51/6 L 3NM	SERVOMOTOR STE 4,5 Q3.51/6 L 3NM POKRETAČ STE 4,5 Q3.51/6 L 3NM	SERWOMOTOR STE 4,5 Q3.51/6 L 3NM	1
1050	13014117	ВОЗДУШНАЯ ЗАСЛОНКА В СБОРЕ DONANIMLI HAVA KARAĞI	CONJUNTO ALETA DE AR OPREMLJENO REŠETKOM ZA VENTILACIJU	ZASŁONA POWIETRZA Z WYPOSAŻENIEM	1
1051	65326227	ВОЗДУШНАЯ ЗАСЛОНКА В СБОРЕ DONANIMLI HAVA KLAPESI	FLAP DE AR EQUIP. ZAKLOPKA ZRAKA KOMPLETAN	PRZEPUSTNICA POWIETRZA Z OSPRZĘTEM	1
1060	13011751	ПРУЖИНА СЕРАЯ/ВОЗД. GRI/ HAVA YAYI	MOLA ALETA DE AR (CINZENTA) SIVA OPRUGA ZA VENTILACIJU ZRAKA	RESOR SZARY/ POW	1
1070	65301070	СОЕДИНЕНИЕ В СБОРЕ DONANIMLI BAĞLANTI	ACOPLAMENTO COMPLETO SPOJNI MATERIJAL	SPRZĘGŁO Z OSPRZĘTEM	1
1071	65326226	ДЕРЖАТЕЛЬ СЕРВОДВИГАТЕЛЬ DESTEĞI SERVOMOTOR	SUPORTE SERVOMOTOR NOSITELJ SERVO MOTOR	WSPORNIK SERVOMOTOR	1
1080	13010055	УПЛОТНЕНИЕ КОЖУХА KARTER CONTASI	JUNTA CAIXA SPOJ KUČIŠTA	USZCZELKA KARTERA	1
1090	13016845	МУФТА ПРОПУСКА ПРОВОДА/КАРТЕР KABLO KANALI/KARTER	PASSA-CABOS/CAIXA VODILICA / KARTER	PRZELOTKA PRZEWODU/OBUDOWA	1
1100	65301016	ЧЕХОЛ VECTRON5+ V6 +ВИНТ КРЕПЛЕНИЯ DONANIMLI MUHAFAZA KARAĞI VECTRON5 / V6	EXTRATOR VECTRON5 E V6+PARAFUSO FIXAÇÃO POKLOPAC VECTRON5 I V6+VIJAK	POKRYWA VECTRON5 I V6 Z OSPRZĘTEM	1
1101	65300519	ВИНТ С ПЛОСКОЙ ГОЛОВКОЙ M5X15 DÜZ BAŞLI VIDA M5X15	PARAFUSO CABEÇA PLANA M5X15 VIJAK S PLOSNATOM GLAVOM M5x15	ŚRUBA Z ŁBEM NITOWYM PŁASKIM M5X15	1
1102	13009772	УПЛОТНИТЕЛЬНАЯ ЛЕНТА/КОЖУХ YALITIM BANDI / GÖVDE KAPLAMA	BANDA DE VEDAÇÃO EXAUSTOR TRAKA ZA BRTVLJENJE POKLOPCA	TAŚMA USZCZELNIAJĄCA/POKRYWA	1
1140	13010008	СМОТРОВОЕ СТЕКЛО RÖGAR CAMI	VIGIA KONTROLNI PROZORČIČ	SZKŁO PODGLĄDU	1
1145	13009648	ПРОХОДНАЯ ВТУЛКА ДЛЯ ПРОВОДА KABLO GEÇİRİCİ	PASSA-CABOS VODILICA	PRZELOT KABLI	1
1170	13009748	ВОЗДУШНЫЙ ВЫПРЯМИТЕЛЬ HAVA DÜZELTİCİ	RECICLAGEM DE AR ISPRAVLJAČ ZA ZRAK	PROSTOWNIK POWIETRZA	1
1180	13009738	ДАТЧИК ДАВЛЕНИЯ BASINÇ GİRİŞİ	TORNEIRA DE PRESSÃO TLAČNA SLAVINA	GNAZDO CIŚNIENIOWE	1
1190	13009736	ТУРБИНА D240X114 d24 D240X114 d24 TÜRBİN	TURBINA D240X114 d24 TURBINA D240X114 d24	WIMIK D240X114 d24	1
	13009737	ТУРБИНА D250X114 d24 D250X114 d24 TÜRBİN	TURBINA D250X114 d24 TURBINA D250X114 d24	WIMIK D250X114 d24	1
1200	13020723	КРОНШТЕЙН ПНЕВМОРЕЛЕ D32 HAVA BASINÇ ŞALTERI MESNEDI D32	BASE MANÓSTATO AR D32 DRŽAČ MANOSTATA ZA ZRAK D32	WSPORNIK CZUJNIKA CIŚNI. POWIET. D32	1
1210	65300021	РЕЛЕ ДАВ. ВОЗДУХА 604.92 1-10МВ HAVA BASINÇ ŞALT. 604.92 1-10МВ	MANÓSTATO DE AR 604.92 1-10MB MANOSTAT ZA ZRAK 604.92 1-10MB	CZUJNIK CIŚ. POW. 604.92 1-10MB	1
1220	13009739	ДВИГАТЕЛЬ 2,2KW230/400V D24+РАЗЪЕМ MOTOR 2,2KW230/400V D24+PRİZ	MOTOR 2,2KW230/400V D24+PLUGUE MOTOR 2,2KW230/400V D24+SLAVINA	SILNIK 2,2 KW 230/400 V D24 + GNAZDO	1
	13009740	ДВИГАТЕЛЬ 2,5KW230/400V D24+РАЗЪЕМ MOTOR 2,5KW230/400V D24+PRİZ	MOTOR 2,5KW230/400V D24+PLUGUE MOTOR 2,5KW230/400V D24+SLAVINA	SILNIK 2,5 KW 230/400 V D24 + GNAZDO	1
1230	13014337	ТРУБКА D4/6 TÜP D4/6	TUBO D4/6 CIJEV D4/6	RURKA D4/6	1
1510	13009663	ТРАНСФО РОЗЖИГА EBI 2X7,5 230V ATEŞLEME TRAFO. EBI 2X7,5 230V	TRANSFO IGNIÇÃO EBI 2X7,5 230V UPALJAČ EBI 2X7,5 230V	TRANSFO ZAPŁONOWY EBI 2X7,5 230V	1
1520	13016457	ДЕРЖАТЕЛЬ ПРЕДОХР-ЛЯ + ПРЕДОХР-Ль 6,3 A SIGORTA TAŞIYICI + 6.3A SIGORTA	PORTA-FUSÍVEL+FUSÍVEL 6,3A PATRONA OSIGURAÇA S OSIGURAČEM 6,3A	OPRAWA BEZPIECZNIKOWA +BEZPIECZNIK 6,3 A	1
1525	13016028	ПРЕДОХРАНИТЕЛЬ 5X20 6.3A SIGORTA 5X20 6.3A	FUSÍVEL 5X20 6,3A OSIGURAČ 5X20 6.3A (JAČINA)	BEZPIECZNIKA 5X20 6.3A	1
1530	13010007	ПЕРЕКЛЮЧАТЕЛЬ ŞALTER	INTERRUPTOR LIGAR/DESLIGAR SKLOPKA UKLJ./ISKLJ.	PRZEŁĄCZNIK	1
1540	13014009	ПЕРЕКЛЮЧАТЕЛЬ ŞALTER	INTERRUPTOR - FUNCIONAMENTO PREKIDAČ - RAD	PRZEŁĄCZNIK	1
1550	65300975	ДИСПЛЕЙ FOR БЛОК УПРАВЛЕНИЯ ВТ3ХХ EKRAN KUTU BT3XX	VISOR UNIDADE DE CONTROLE BT3XX ZASŁON NA ZAŠTITNOM ORMARİCÜ BT3XX	WYŚWIETLACZ MODUŁ BT3XX	1
1560	65300992	ПУЛЬТ УПРАВЛЕНИЯ ПЛАСТИКОВЫЙ İŞLETİM MASASI PLASTİK	PLACA DE CONTROLE PLÁSTICA PLASTIČNA UPRAVLJAČKA PLOČA	PLASTIKOWY PULPIT STEROWNICZY	1
1570	65300993	МУФТА ПРОКЛАДКИ ПРОВОДА D54/D47/D36 KABLO KANALI D54/D47/D36	PASSA-CABOS D54/D47/D36 VODILICA D54/D47/D36	PRZELOTKA PRZEWODU D54/D47/D36	1
1580	13009661	ЗАТВОР/ПУЛЬТ TAPA / KONTROL PANELİ	OBTURADOR INTERFACE ZATVARAČ/ UPRAVLJAČKA PLOČA	PRZEPUSTNICA / PULPIT	1
1600	65301060	КАБЕЛЬ+РАЗЪЕМ РЕЛЕ ДАВЛЕНИЯ BASINÇ GAZ ŞALTERI KABLOSU+GİRİŞ	CABO+CONECTOR/PRESSOSTATO GÁS KABEL S NAZUVICOM ZA MANOSTAT PLINA	PRZEWÓD CZUJNIKA CIŚNIENIA GAZU+GNAZD.	1

☞	XXXXXXXX	RU	PT	PL	X
		TR	HR		
1610	65301061	КАБЕЛЬ+РАЗЪЕМ ГАЗОВОГО КЛАПАНА GAZ VANA KABLOSU	CABO+CONECTOR/VÁLVULA GÁS KABEL S NAZUVICOM ZA VENTIL PLINA	PRZEWÓD ZAWORU GAZU	1
1620	65301062	КАБЕЛЬ+РАЗЪЕМ/УСТРОЙСТВО РОЗЖИГА KABLO+GIRIŞ/ATEŞLEYİCİ	CABO+CONECTOR/ACENDEDOR KABEL S NAZUVICOM ZA UPALJAČ	PRZEWÓD+GNAIIZDO/APARAT ZAPŁONOWY	1
1630	65301063	КАБЕЛЬ ФОТОРЕЗИСТ. IRD.1020.1+РАЗЪЕМ HÜCRE IRD.1020.1 KABLOSU+GIRIŞ	CABO FOTOCÉLULA IRD.1020.1+CONECTOR KABEL ÇELIJE IRD.1020.1+SLAVINA	PRZEWÓD FOTOKOMÓ. IRD.1020.1+ GNAIIZDO	1
1640	65301035	ФОТОРЕЗИСТОР IRD.1020.1 БЛАН+КРОНШТЕЙН HÜCRE IRD 1020.1 AXIAL	FOTOCÉLULA IRD 1020.1 BRANCO AXIAL ÇELIJA IRD 1020.1 BIJELA AKSIJALNA	FOTOKOMÓRKA IRD 1020.1 WHITE AXIAL	1
1645	65301111	КАБЕЛЬ+РАЗЪЕМ/ГАЗОВЫЙ СЕРВОДВИГАТЕЛЯ GAZ SERVO MOTOR KABLOSU	CABO+CONECTOR/SERVOMOTOR GÁS KABEL S NAZUVICOM / POKRETAČ PLINA	PRZEWÓD SERWOMOT. PRZEPUSTNICZY GAZU	1
1650	13010461	ДЕРЖАТЕЛЬ ДЛЯ ФОТОЭЛЕМЕНТА IRD1020.1 HÜCRE MÉSNEĐI M93 İÇİN IRD1020.1	SUPORTE FOTOCÉLULA M93 PARA IRD1020.1 NOSAČ ÇELIJE M93 ZA IRD1020.1	WSPORNIK DLA FOTOKOMÓRKA IRD1020.1	1
1655	65300046	КАБЕЛЬ+РАЗЪЕМ/ВОЗДУШНАЯ РЕЛЕ ДАВЛЕНИЯ KABLO+GIRIŞ/HAVA BASINÇ ŞALTERİ	CABO+CONECTOR/MANÓSTATO DE AR KABEL S NAZUVICOM / MANOSTAT ZRAKA	PRZEWÓD+GNAIIZDO/CZUJNIK CIŚNIENIA POW.	1
1660	65301000	КАБЕЛЬ L560+РАЗЪЕМ 4-ПОЛЮС/ДВИГАТЕЛЬ L560 KABLO +PRİZ 4P/MOTOR	CABO C.560+CONECTOR 4P/MOTOR KABEL L560+SLAVINA 4P/MOTOR	KABEL L560+GNAIIZDO 4P/SILNIK	1
1670	13009743	КАБЕЛЬ РОЗЖИГА АТЕŞЛЕМЕ KABLOSU	CABO DE IGNIÇÃO KABEL ZA PALJENJE	KABEL ZAPALNIKA	1
1700	65300964	БЛОК УПРАВЛЕНИЯ LCG 911 BT320 KUTU LCG 911 BT320	PROGRAMADOR LCG 911 BT320 ZAŠTITNI ORMARIĆ LCG 911 BT320	MODUŁ LCG 911 BT320	1
	65326219	БЛОК УПРА. LCG921.01 BT330 UV KUTU LCG921.01 BT330 UV	CAIXA DO CONT. LCG921.01 BT330 UV ZAŠTITNI ORMARIĆ LCG921.01 BT330 UV	MODUŁ LCG921.01 BT330 UV	1
	65326450	БЛОК УПРАВЛЕНИЯ LCG911.02 KUTU LCG911.02	PROGRAMADOR LCG911.02 ZAŠTITNI ORMARIĆ LCG911.02	MODUŁ LCG911.02	1
	65326452	БЛОК УПРАВЛЕНИЯ LCG921.03 KUTU LCG921.03	UNIDADE DE CONTROLE LCG921.03 ZAŠTITNI ORMARIĆ LCG921.03	MODUŁ LCG921.03	1
1800	13009778	КОНТАКТОР KONTAKTÖR	CONTATOR PREKIDAČ SPOJKE	KONTAKTOR	1
1810	13009746	ТЕРМОРЕЛЕ LR2K 5.5-8.0A LR2K 5.5-8.0A TERMİL RÖLE	RELÉ TÉRMICO LR2K 5.5-8.0A TOPLINSKI RELEJ LR2K 5.5-8.0A	PRZEKAŹNIK TERMICZNY LR2K 5.5-8.0 A	1
2100	65301027	АРМАТУРА ГАЗОПРОВОДА Т1/KN DONANIMLI GAZ HATTI T1/KN	LINHA DE GÁS COMPLETA T1/KN OPREMLJENO LINIJOM PLINA T1/KN	UKŁAD CIŚNIENIA GAZU Z WYPO.T1/KN	1
	65301028	АРМАТУРА ГАЗОПРОВОДА Т2/KN DONANIMLI GAZ HATTI T2/KN	LINHA DE GÁS COMPLETA T2/KN OPREMLJENO LINIJOM PLINA T2/KN	UKŁAD CIŚNIENIA GAZU Z WYPOS. T2/KN	1
	65301029	АРМАТУРА ГАЗОПРОВОДА Т3/KN DONANIMLI GAZ HATTI T3/KN	LINHA DE GÁS COMPLETA T3/KN OPREMLJENO LINIJOM PLINA T3/KN	UKŁAD CIŚNIENIA GAZU Z WYPOS. T3/KN	1
2110	65301030	УЗЕЛ ГАЗОВОГО ДИФУЗОРА GAZ DIFÜZOERÜ GRUBU	CONJUNTO DIFUSOR GÁS KOMPLET PLINSKE GLAVE	ZESPÓŁ DYSZY GAZU	1
2120	13009726	БЛОК ЭЛЕКТРОДОВ 27X55 d6,4D2X23 45°+ВИНТ ELEKTROD BLOĖU 27X55 d6,4D2X23 45°+VIDA.	BLOCO ELETROD.27X55 d6,4D2X23 45°+PARAF. ELECTROD.BLOC.27X55 d6,4 D2X23 45°+SCREW	BLOK ELEKTROD 27X55 d6,4D2X23 45° +ŞRUBA	1
2130	13010049	ВИНТ С БУРТИКОМ М4/БЛОК ЭЛЕКТРОДОВ М4 ÖMUZLU VIDA/ELEKTROT BLOĖU	PARAFUSO M4/BLOCO DE ELÉTODOS İMBUS VIJAK M4 / BLOK-ELEKTRODE	ŞRUBA M4/BLOKADA ELEKTROD	1
2131	13009725	ФЛАНЕЦ 20X11X2,6 FIX. ЭЛЕКТРОД FLANŞI 20X11X2,6 FIX. ELEKTROD	FLANGE 20X11X2,6 FIX. ELETRODO PRIRUBNICA S OPRUGOM / BLOK-ELEKTRODE	KOŁNIERZ 20X11X2,6 FIX. ELEKTRODA	1
2150	65301117	ГАЗОВОЕ КОЛЕНО LG.506 GAZ KLAPE LG.506	COTOVELO GÁS+TUBO COMP.506 PLINSKO KOLJENO+CIJEV DULJ.506	KOLANKO DO INSTALACJI GAZOWEJ LG.506	1
	65301118	ГАЗОВОЕ КОЛЕНО LG.706 GAZ KLAPE LG.706	COTOVELO GÁS+TUBO COMP.706 PLINSKO KOLJENO+CIJEV DULJ.606	KOLANKO DO INSTALACJI GAZOWEJ LG.706	1
	65301119	ГАЗОВОЕ КОЛЕНО LG.606 GAZ KLAPE LG.606	COTOVELO GÁS+TUBO COMP.606 PLINSKO KOLJENO+CIJEV DULJ.706	KOLANKO DO INSTALACJI GAZOWEJ LG.606	1
2160	65301120	ЗАВИХРИТЕЛЬ DOENER GOEVDE	GERADOR DE TURBULÉNCIA TURBULATOR	ZAWIROWYWACZ	1
2180	13009727	ЗАПАЛЬНЫЕ ПРОВОДА L950 L950 АТЕŞЛЕМЕ KABLOLARI	CABOS IGNIÇÃO L950 KABELI OSVJETLJENJA L950	KABEL ZAPALNIKA L950	1
2190	13009731	УПЛОТН. КОЛЬЦО D.75X4 O'RING D.75X4	O-RING D.75X4 O-PRSTEN D.75X4	O'RING D.75X4	1
2200	65301031	СОПЛО ГОРЕЛКИ D227/157 L380 BRÜLÖR BORUSU D227/157 L380	TUBO DO QUEIMADOR D227/157 L380 CIJEV PLAMENA D227/157 L380	RURA PALNIKA D227/157 L380	1
	65301032	СОПЛО ГОРЕЛКИ D227/157 L623 BRÜLÖR BORUSU D227/157 L623	TUBO DO QUEIMADOR D227/157 L623 CIJEV PLAMENA D227/157 L623	RURA PALNIKA D227/157 L623	1
	65301033	СОПЛО ГОРЕЛКИ D227/157 L530 BRÜLÖR BORUSU D227/157 L530	TUBO DO QUEIMADOR D227/157 L530 CIJEV PLAMENA D227/157 L530	RURA PALNIKA D227/157 L530	1
2210	13009723	КОМПЛ-Т ВИНТ КРЕПЛЕН ТРУБЫ ГОРЕЛКИ (X3) BRÜLÖR TÜRÜ TESBİT VİDASI KİTİ (X3)	KIT PARAFUSO FIX. TUBO QUEIMADOR (X3) KOMPLET VIJAKA FIKS. CIJEV PLAMENIK(X3)	ZESTAW ŚRUB MOCOW. RURA PALNIKA (X3)	1
2300	13009719	УПЛОТНЕНИЕ/ПЕРЕДН ЧАСТЬ КОТЛА 326X335X3 326X335X3 KAZAN CONTASI/ÖN YÜZÜ	JUNTA/FRENTE CALDEIRA 326X335X3 SPOJ/PREDNJI DIO BOJLERA 326X335X3	USZCZELKA/ŚCIANA CZOŁ. KOTŁA 326X335X3	1
2330	65300252	ТРУ. ОТБОРА ДАВЛ. В ТОПОЧ. КАМЕРЕ L250MM ОСАК ТЕРТИВАТИ BASINÇ BORUSU LG. 250MM	TUBO PRESSÃO FORNALHA COMP. 250MM TLAČNA CIJEV ZA LOŹIŠTE DULJ. 250MM	PRZEWÓD CIŚNIENIA W PALENISKU LG. 250MM	1
	65300597	ТРУ. ОТБОРА ДАВЛ. В ТОПОЧ. КАМЕРЕ L350MM ОСАК ТЕРТИВАТИ BASINÇ BORUSU LG. 350MM	TUBO PRESSÃO FORNALHA COMP. 350MM TLAČNA CIJEV ZA LOŹIŠTE DULJ. 350MM	PRZEWÓD CIŚNIENIA W PALENISKU LG. 350MM	1
2350	65300854	КРЕПЕЖНЫЙ ВИНТ+ГАЙКА M12X80 BORUSU BAĖLANTI VIDASI+SOMUN M12X80	PARAFUSO DE FIXAÇÃO+PORCA M12X80 VIJAK ZA UČVRŠĆIVANJE + MATICA	ŚRUBA MOCUJĄCA+NAKRĘTKA M12X80	1

		RU TR	PT HR	PL	X
2360	13022998	КОМПЛЕКТ ШПИЛЬКИ M12X40+ГАЙКА SAPLAMA TAKIMI M12X40+SOMUN	KIT CAVILHAS M12X40+PORCA KOMPLET SPOJNIH VIJAKA M12X40+MATICA	ZESTAW SWORZEŃ M12X40+NAKRETKA	1
2420	13009724	КОМПЛЕКТ ПАЛЬЦЕВ AKS KITI	KIT EIXOS KOMPLET OSOVINA	ZESTAW OSI	1
3305	65300980	СЕРВОДВИГАТЕЛЬ STE 4,5 BO37/6 R SERVOMOTOR STE 4,5 BO37/6 R	ATUADOR STE 4,5 BO37/6 R POKRETAČ STE 4,5 BO37/6 R	SERWOMOTOR STE 4,5 BO37/6 R	1
3310	65312327	ЧЕХОЛ СЕРВОДВИГАТЕЛЬ SERVOMOTOR KAPAĞI	TAMPA DO ATUADOR POKLOPAC POKRETAČA	POKRYWA SERWOMOTOR	1
3312	65301268	ГАЗОВЫЙ КЛАПАН DN65 В СБОРЕ KOMPLE GAZ KLAPESE DN65	CONJUNTO VÁLVULA DE GÁS DN65 KOMPLET PLINSKOG VENTILA DN65	ZAWÓR GAZU KOMPL. DN65	1
3317	65301267	ФИКСИРУ. УПОР,ВРАЩАЮЩ./ОСЬ STE 4.5 0.8NM ROTATIF STOPER /STANDART AKS 4.5 0.8NM	PARADA ROTAÇÃO VEIO STE 4,5 0,8NM GRANIČ. ZAUST.ROTIR./OSOV. STE 4.5 0.8NM	ODBOJNIK OBROTOWY /OŚ STE 4.5 0,8 NM	1
3319	65312458	МУФТА ПРОКЛАДКИ ПРОВ DIM.34X15/12 D.6,2 KABLO KANALI DIM.34X15/12 D.6,2	PASSA-CABOS DIM.34X15/12 D.6,2 VODILICA DIM.34X15/12 DULJINA 6,2	PRZELOTKA PRZEWODU DIM.34X15/12 D6,2	1
3335	13010078	РЕГУЛ ДАВЛ. ГАЗА. GW 150 A5 30—150MB DIN GW 150 A5 30-150MB DIN GAZ MANOSTATI	PRESSOSTATO GÁS GW 150 A5 30-150MB DIN PREKID.TLAKA PLI. GW 150 A5 30-150MB DIN	CZUJNIK CIŚ. GAZU GW 150 A5 30-150MB DIN	1
3350	13009693	КОЛЛЕКТОР В СБОРЕ RP2 MANIFOLD KMPL. RP2	COLETOR COMPLETO RP2 SPOJKA KOLEKTORA RP2	KOLEKTOR KOMPL. RP2	1
3352	13009722	ДАТЧИК ДАВЛЕНИЯ R1/8 R1/8 BASINÇ PRİZİ	TOMADA DE PRESSÃO R1/8 TLAČNA SLAVINA R1/8	GNIAZDO CIŚNIENIOWE R1/8	1
3360	13022996	ГАЗОВЫЙ КЛАПАН MBC700 SE S82 RP1*1/4 GAZ VANASI MBC700 SE S82 RP1*1/4	VÁLVULA GÁS MBC700 SE S82 RP1 1/4 PLINSKI VENTIL MBC700 SE S82 RP1*1/4	ZAWÓR GAZOWY MBC700 SE S82 RP1*1/4	1
	65300008	ГАЗОВЫЙ КЛАПАН MBC1200 SE S82 RP2* GAZ VANASI MBC1200 SE S82 RP2*	VÁLVULA GÁS MBC1200 SE S82 RP2 PLINSKI VENTIL MBC1200 SE S82 RP2*	ZAWÓR GAZOWY MBC1200 SE S82 RP2*	1
3370	13022416	СЕТЧАТЫЙ ФИЛЬТР/ГАЗОВЫЙ КЛАПАН MBC700 FILTRE SÜZGECİ/GAZ VANASI MBC700	ELEMENTO FILTRANTE/VÁLVULA DE GÁS MBC700 FILTAR S REŠETKOM/PLINSKI VENTIL MBC700	FILTR SITOWY/ZAWÓR GAZOWY MBC700	1
	13022417	СЕТЧАТЫЙ ФИЛЬТР/ГАЗОВЫЙ КЛАП. MBC1200 FILTRE SÜZGECİ/GAZ VANASI MBC1200	ELEMENTO FILTRANTE/VÁLVULA GÁS MBC1200 FILTAR S REŠETKOM/PLINSKI VENTIL MBC1200	FILTR SITOWY/ZAWÓR GAZOWY MBC1200	1
3400	65301065	КОМПЛЕКТ ПРОКЛАДОК MBC700/1200 DN CONTA KITI MBC700/1200 DN	KIT JUNTAS MBC700/1200 DN KOMPLET PRIKLJUČAKA MBC700/1200 DN	ZESTAW USZCZELEK MBC700/1200 DN	1
3450	13007858	ФЛАНЕЦ MB415/420 RP1 1/2 FLANŞI MB415/420 RP1 1/2	FLANGE MB415/420 RP1 1/2 PRIRUBNICA RP1 1/2	KOŁNIERZ MB415/420 RP1 1/2	1
3505	65300980	СЕРВОДВИГАТЕЛЬ STE 4,5 BO37/6 R SERVOMOTOR STE 4,5 BO37/6 R	ATUADOR STE 4,5 BO37/6 R POKRETAČ STE 4,5 BO37/6 R	SERWOMOTOR STE 4,5 BO37/6 R	1
3510	65312327	ЧЕХОЛ СЕРВОДВИГАТЕЛЬ SERVOMOTOR KAPAĞI	TAMPA DO ATUADOR POKLOPAC POKRETAČA	POKRYWA SERWOMOTOR	1
3512	65301268	ГАЗОВЫЙ КЛАПАН DN65 В СБОРЕ KOMPLE GAZ KLAPESE DN65	CONJUNTO VÁLVULA DE GÁS DN65 KOMPLET PLINSKOG VENTILA DN65	ZAWÓR GAZU KOMPL. DN65	1
3517	65301267	ФИКСИРУ. УПОР,ВРАЩАЮЩ./ОСЬ STE 4.5 0.8NM ROTATIF STOPER /STANDART AKS 4.5 0.8NM	PARADA ROTAÇÃO VEIO STE 4,5 0,8NM GRANIČ. ZAUST.ROTIR./OSOV. STE 4.5 0.8NM	ODBOJNIK OBROTOWY /OŚ STE 4.5 0,8 NM	1
3519	65312458	МУФТА ПРОКЛАДКИ ПРОВ DIM.34X15/12 D.6,2 KABLO KANALI DIM.34X15/12 D.6,2	PASSA-CABOS DIM.34X15/12 D.6,2 VODILICA DIM.34X15/12 DULJINA 6,2	PRZELOTKA PRZEWODU DIM.34X15/12 D6,2	1
3600	65301067	ГАЗОВЫЙ КЛАПАН MBC1900 SE DN65 GAZ VANASI MBC1900 SE DN65	VÁLVULA GÁS MBC1900 SE DN65 PLINSKI VENTIL MBC1900 SE DN65	ZAWÓR GAZOWY MBC1900 SE DN65	1
3630	13010078	РЕГУЛ ДАВЛ. ГАЗА. GW 150 A5 30—150MB DIN GW 150 A5 30-150MB DIN GAZ MANOSTATI	PRESSOSTATO GÁS GW 150 A5 30-150MB DIN PREKID.TLAKA PLI. GW 150 A5 30-150MB DIN	CZUJNIK CIŚ. GAZU GW 150 A5 30-150MB DIN	1
3700	65301066	КОМПЛЕКТ ПРОКЛАДОК MBC1900 DN CONTA KITI MBC1900 DN	KIT JUNTAS MBC1900 DN KOMPLET PRIKLJUČAKA MBC1900 DN	ZESTAW USZCZELEK MBC1900 DN	1
3910	13009703	ГАЗ ФИЛЬТР ВНЕШНИЙ DN65 DN65 HARİCİ GAZ FİLTRESİ	FILTRO GÁS EXTERNO DN65 VANJSKI FILTAR ZA PLIN DN65	FILTR GAZ. ZEWNĘTRZNY DN65	1
3911	13009704	ГАЗ. ФИЛЬТРУЮЩИЙ ЭЛЕМЕНТ DN65 С УПЛОТН. CONTALI DN65 GAZ FİLTRE ELEMANI	ELEMENTO FILTRANTE GÁS DN65 COM O-RING ELEMENTO FILTRIR. PLINA DN65 S PRIKLJUČK.	ELEMENT FILTRUJĄCY GAZ. DN65 Z USZCZELKĄ	1
4005	65300980	СЕРВОДВИГАТЕЛЬ STE 4,5 BO37/6 R SERVOMOTOR STE 4,5 BO37/6 R	ATUADOR STE 4,5 BO37/6 R POKRETAČ STE 4,5 BO37/6 R	SERWOMOTOR STE 4,5 BO37/6 R	1
4010	65312327	ЧЕХОЛ СЕРВОДВИГАТЕЛЬ SERVOMOTOR KAPAĞI	TAMPA DO ATUADOR POKLOPAC POKRETAČA	POKRYWA SERWOMOTOR	1
4012	65301268	ГАЗОВЫЙ КЛАПАН DN65 В СБОРЕ KOMPLE GAZ KLAPESE DN65	CONJUNTO VÁLVULA DE GÁS DN65 KOMPLET PLINSKOG VENTILA DN65	ZAWÓR GAZU KOMPL. DN65	1
4017	65301267	ФИКСИРУ. УПОР,ВРАЩАЮЩ./ОСЬ STE 4.5 0.8NM ROTATIF STOPER /STANDART AKS 4.5 0.8NM	PARADA ROTAÇÃO VEIO STE 4,5 0,8NM GRANIČ. ZAUST.ROTIR./OSOV. STE 4.5 0.8NM	ODBOJNIK OBROTOWY /OŚ STE 4.5 0,8 NM	1
4019	65312458	МУФТА ПРОКЛАДКИ ПРОВ DIM.34X15/12 D.6,2 KABLO KANALI DIM.34X15/12 D.6,2	PASSA-CABOS DIM.34X15/12 D.6,2 VODILICA DIM.34X15/12 DULJINA 6,2	PRZELOTKA PRZEWODU DIM.34X15/12 D6,2	1
4030	13020958	СОЕДИНИТЕЛЬНЫЙ КАБЕЛЬ SKP SKP BAĞLANTI KABLOSU	CABO DE CONEXÃO SKP SPOJNI KABLOVI SKP	KABEL ŁĄCZĄCY SKP	1
4100	65323661	ГАЗОВЫЙ КЛАПАН VGD40 065 DN65 GAZ VANASI VGD40 065 DN65	VÁLVULA GÁS VGD40 065 DN65 PLINSKI VENTIL VGD40 065 DN65	ZAWÓR GAZOWY VGD40 065 DN65	1
4102	65107100	СЕРВОДВИГАТЕЛЬ SKP25.003 E2 БЕЗ КОНЦЕВЫ SERVOMOTOR SKP 25.003 E2 LIMIT ANAHTAR	SERVOMOT. GÁS SKP25.003 E2 SEM FIM CURSO POKRET. PLINA SKP25.003E2 S.FINO PODEŠA.	SERWOSILNIK SKP25.003E2 BEZ WYŁĄCZNIKI	1
4105	13020951	ИСП. МЕХАНИЗМ ГАЗ SKP15.000E2 S.КОНЦЕВОЙ KURS SONSUZ SKP15.000E2 GAZ SERVOMOTORU	ATUADOR GÁS SKP15.000E2 S.FIM CURSO POKRET. PLINA SKP15.000E2 S.FINO PODEŠA.	SIŁOWNIK GAZ. SKP15.000E2 S.WYL. KRAŃCOWY	1
4110	13010078	РЕГУЛ ДАВЛ. ГАЗА. GW 150 A5 30—150MB DIN GW 150 A5 30-150MB DIN GAZ MANOSTATI	PRESSOSTATO GÁS GW 150 A5 30-150MB DIN PREKID.TLAKA PLI. GW 150 A5 30-150MB DIN	CZUJNIK CIŚ. GAZU GW 150 A5 30-150MB DIN	1

