

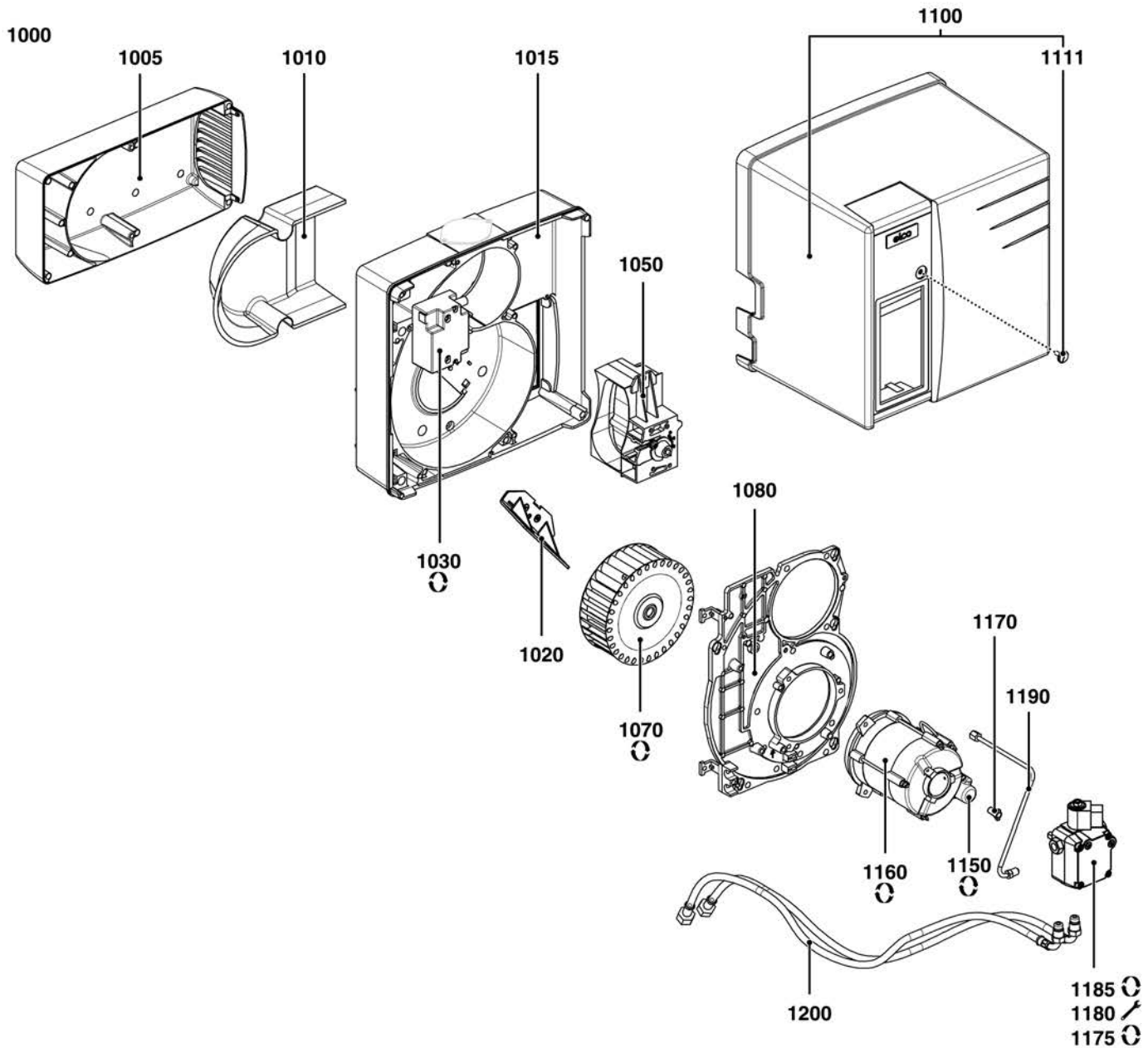
SPARE PARTS EXPLODED VIEW OIL BURNER

Model

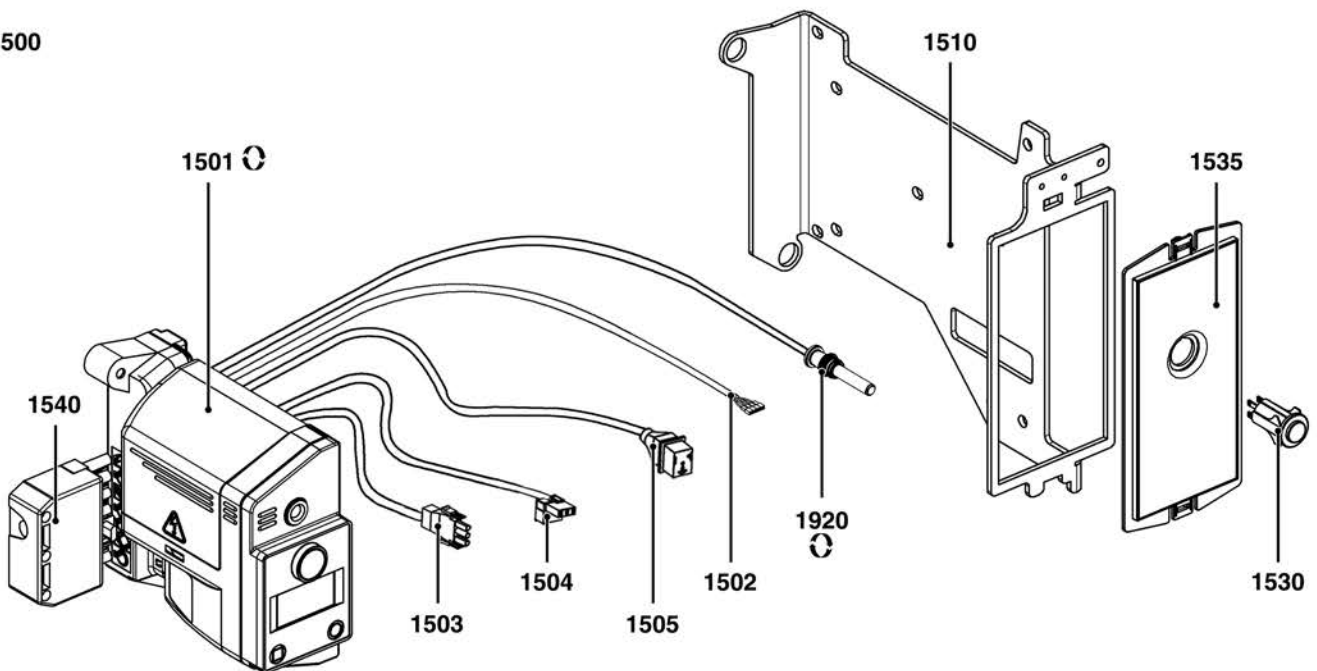
CB-VL2 (50/60Hz)

R8220018-03 - 14/08/2019

1	3833536	CB-VL2.140 KN	07-2011	-
2	3834646	FS-VL2.140 KN 60HZ	05-2014	-
3	3833537	CB-VL2.140 KL	07-2011	-
4	3832360	FS-VL2.140 KL 60HZ	04-2013	-
5	3833540	CB-VL2.200 KN	07-2011	-
6	3834332	FS-VL2.200 KN 60HZ	04-2013	-
7	3833541	CB-VL2.200 KL	07-2011	-
Col	Reference	Model type	Begin	End



1500



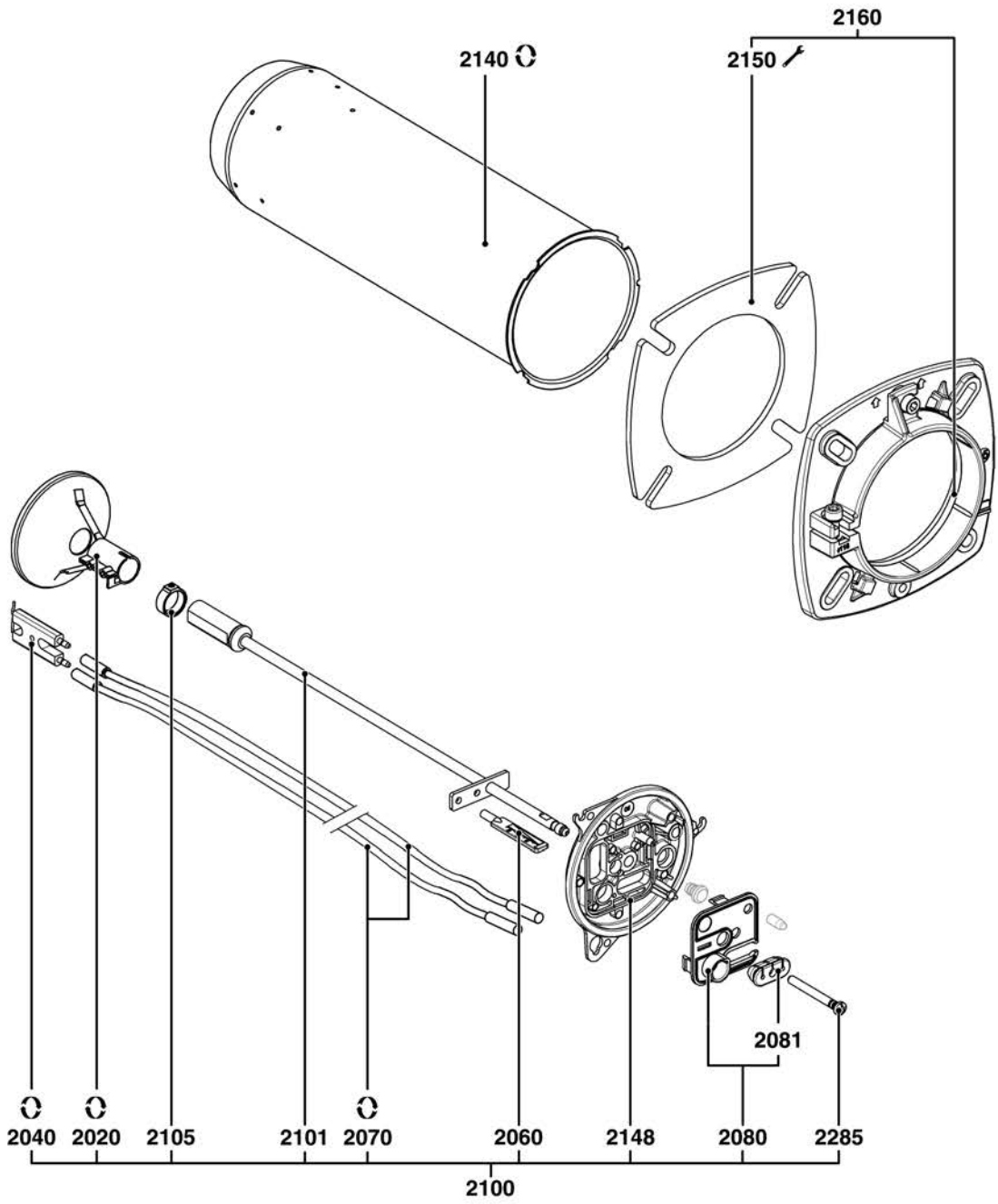
Description	Manf. Pt. N	Type	<div style="display: flex; justify-content: space-between; align-items: center;"> <div style="writing-mode: vertical-rl; transform: rotate(180deg); font-size: small;"> CB-VL2-140 KN FS-VL2-140 KN CB-VL2-140 KL FS-VL2-140 KL CB-VL2-200 KN FS-VL2-200 KN CB-VL2-200 KL </div> <div style="text-align: center;"> 1 2 3 4 5 6 7 8 9 10 11 12 13 14 15 16 17 18 </div> <div style="border: 1px solid black; padding: 2px;"> 31 </div> </div>																		From	to
			1	2	3	4	5	6	7	8	9	10	11	12	13	14	15	16	17	18		
1000 BURNER BODY																						
1005 AIR BOX 315X164X62+INSULATION	13021733		•	•	•	•	•	•	•	•												
1010 INSULATION AIR INTAKE BOX	13017369		•	•	•	•	•	•	•	•												
1015 HOUSING 325X320X87 D125 NC12-21/V2	65300944		•	•	•	•	•	•	•	•												
1020 AIR RECYCLING 109/102X60 78° (METAL)	13023270									•												
AIR RECYCLING 109/92X60 78° (METAL)	65301112			•		•																
AIR RECYCLING 119/114X60 78° (BLACK)	13017364		•		•				•		•											
1030 IGNITION TRANSFO. EBI 2X7,5 230V	13009663		•	•	•	•	•	•	•	•												
1050 AIR FLAP 124X65X63,5+BUTTON	13018138		•	•	•	•	•	•	•	•												
1070 FAN WHEEL D133X42 D12,7	65301056				•		•															
FAN WHEEL D146 X52 D12,7	13010012									•												
FAN WHEEL D160X52 D12,7	13010095		•		•			•		•												
1080 MOTOR PLATE 313X218X18,5 D99 H-B/L-GL	65326439		•	•	•	•	•	•	•	•												
1100 COVER GREY 326X322X253+SCREW/V 2	65300723		•	•	•	•	•	•	•	•												
1111 FLAT HEAD SCREW M5X15	65300519		•	•	•	•	•	•	•	•												
1150 CAPACITOR 5µF 2P 3mm	65325038	ACC	•	•	•	•			•													
CAPACITOR 6,3µF 2P 3mm	13010016	ACC							•													
CAPACITOR 6,3µF 2P 3mm	13010016	SIMEL	•	•	•	•			•													
CAPACITOR 8µF 2P 3mm	65300577	SIMEL							•													
1160 MOTOR 0,13KW230V D12,7	13010014								•		•											
MOTOR 0,16KW230V D12,7	13009981		•	•	•	•			•													
1170 COUPLING D18/14,7/11X22 PUMP/MOTOR	65074172		•	•	•	•	•	•	•	•												
1175 OIL PUMP ASV 47 D 1696	13010118	ASV	•	•	•	•	•	•	•	•												
OIL PUMP BFP 21 L3 R2	65300856	BFP	•	•	•	•	•	•	•	•												
1180 CARTRIDGE D16,3X43+O-RING/PUMP BFP	65325685	BFP	•	•	•	•	•	•	•	•												
FILTER KIT H20-150µ/AS+CART.D16,3X43/BFP	65300834		•	•	•	•	•	•	•	•												
KIT COVER GASKET+FILTER D20 SUNTEC A	13010470	ASV	•	•	•	•	•	•	•	•												
1185 COIL 220-230 V NC T85	65327118	BFP	•	•	•	•	•	•	•	•												
COIL SUN PUMP AS-AP-AL-AT-A2L	13010006	ASV	•	•	•	•	•	•	•	•												
1190 TUBE PUMP/NOZZLE LINE	65300725		•	•	•	•	•	•	•	•												
1200 OIL HOSE L 1500 DN6,G3/8-G1/4A	12002251		•	•	•	•	•	•	•	•												
1500 ELECTRIC PART																						
1501 CONTROL UNIT TCH 141.03	65300269		•	•	•	•	•	•	•	•												
1502 CABLE RESET+PLUG FASTON/2XRAS2P L350	65300521		•	•	•	•	•	•	•	•												
1503 CABLE MOTOR+PLUG 3P/RAST3P L300	13010519		•	•	•	•	•	•	•	•												
1504 CABLE IGNIT.TRANSFO+PLUG 2P/RAST2P L350	65300619		•	•	•	•	•	•	•	•												
1505 CABLE SOL.VALVE+PLUG 3P/RAST3P L300V1	13012675		•	•	•	•	•	•	•	•												
1510 CONTROL UNIT BRACKET+DISPLAY	65300727		•	•	•	•	•	•	•	•												
1530 RESET BUTTON D16/19X33 BLACK	13015182		•	•	•	•	•	•	•	•												
1535 PLATE 170X81 BUTTON RESET CONTROL UNIT	65300523		•	•	•	•	•	•	•	•												
1540 PLUG WIELAND 7P SCREENPRINTED	13010523		•	•	•	•	•	•	•	•												
1920 PHOTOCCELL FTEB3 L255+RAST5	65328028		•	•	•	•	•	•	•	•										09/19		
PHOTOCCELL QRB1A LG.220+RAST5	65326635		•	•	•	•	•	•	•	•											08/19	

Oil burner CB-VL2 (50/60Hz)

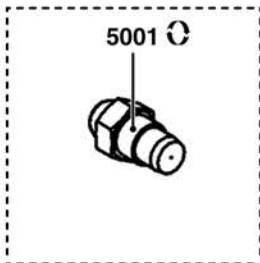
2000

CB-VL2 (50/60Hz)

Oil burner



5000



								
		DE	NL	FR	ES	IT		
1005	13021733	LUFTKASTEN 315X164X62+ISOLIERUNG LUCHTKAST 315X164X62+ISOLATIE		BOITE A AIR 315X164X62+ISOLATION CAJA DE AIRE 315X164X62+AISLAMIENTO		CASSA ASPIR. ARIA 315X164X62+ISOLAZIONE		1
1010	13017369	ISOLIERUNG 220X158 LUFTKASTEN ISOLATIE LUCHTKAST		ISOLATION BOITE A AIR AISLAMIENTO CAJA DE AIRE		ISOLAMENTO SCATOLA DELL'ARIA		1
1015	65300944	GEHÄUSE 325X320X87 D125 NC12-21/V2 BRANDERHUIS 325X320X87 D125 NC12-21/V2		CARTER 325X320X87 D125 NC12-21/V2 CARTER 325X320X87 D125 NC12-21/V2		FUSIONE 325X320X87 D125 NC12-21/V2		1
1020	13017364	ANSAUGLUFTFUEHR. 119/114X60 78° (SCHWARZ) LUCHTGELEIDING 119/114X60 78° (ZWART)		RECYCLAGE AIR 119/114X60 78° (NOIR) RECICLAJE DE AIRE 119/114X60 78° (NEGRO)		CONVOGLIATORE ARIA 119/114X60 78° (NERO)		1
	13023270	ANSAUGLUFTFUEHR. 109/102X60 78° (METALL) LUCHTGELEIDING 109/102X60 78° (METAAL)		RECYCLAGE AIR 109/102X60 78° (METAL) RECICLAJE DE AIRE 109/102X60 78° (METAL)		CONVOGLIATORE ARIA 109/102X60 78° (METAL)		1
	65301112	ANSAUGLUFTFUEHR. 109/92X60 78° (METALL) LUCHTGELEIDING 109/92X60 78° (METAAL)		RECYCLAGE AIR 109/92X60 78° (METAL) RECICLAJE DE AIRE 109/92X60 78° (METAL)		CONVOGLIATORE ARIA 109/92X60 78° (METAL)		1
1030	13009663	ZUENDTRAFU EB1 2X7,5 230V ONTSTEKINGSTRAFO EB1 2X7,5 230V		ALLUMEUR EB1 2X7,5 230V ENCENDEDOR EB1 2X7,5 230V		TRASFO. ACC. EB1 2X7,5 230V+PRESA TERRA		1
1050	13018138	LUFTKLAPPE 124X65X63,5+KNOPF LUCHTKLEP 124X65X63,5+KNOP		VOLET AIR 124X65X63,5+BOUTON VALVULA AIRE 124X65X63,5+BOTON		SERRANDA ARIA 124X65X63,5+BOTTONE		1
1070	13010012	VENTILATORRAD D146X52 d12,7 VENTILATORWIEL D146X52 d12,7		TURBINE D146 X52 D12,7 TURBINA D146X52 d12,7		VENTOLA D146 X52 d12,7		1
	13010095	VENTILATORRAD D160X52 D12,7 VENTILATORWIEL D160X52 D12,7		TURBINE D160X52 D12,7 TURBINA D160X52 D12,7		VENTOLA D160X52 D12,7		1
	65301056	VENTILATORRAD D133X42 D12,7 VENTILATORRAD Ø133X42 D12,7		TURBINE D133X42 D12,7 TURBINA D133X42 D12,7		VENTOLA D133X42 D12,7		1
1080	65326439	MOTORPLATTE 313X218X18,5 D99 H-B/L-GL MOTORPLAAT 313X218X18,5 D99 H-B/L-GL		PLATINE MOTEUR 313X218X18,5 D99 H-B/L-GL PLACA MOTOR 313X218X18,5 D99 H-B/L-GL		PIASTRA MOTORE 313X218X18,5 D99 H-B/L-GL		1
1100	65300723	BRENNERHAUBE GRAU 326X322X253+SCHRA./V 2 BRANDERKAP GRAU 326X322X253+SCHROEF/V 2		CAPOT GRIS 326X322X253+VIS/V 2 CUBIERTA GRIS 326X322X253+TORNILLO/V 2		COFANO GRIGIO 326X322X253+VITE/V 2		1
1111	65300519	FLACHKOPF-SCHRAUBE M5X15+SPITZE PLATKOPPSCHROEF M5X15		VIS A TETE PLATE M5X15 TORNILLO DE CABEZA PLANA M5X15		VITE A TESTA PIANA M5X15		1
1150	13010016	KONDENSATOR 6,3µF 2P 3mm CONDENSATOR 6,3µF 2P 3mm		CONDENSATEUR 6,3µF 2P 3mm CONDENSADOR 6,3µF 2P 3mm		CONDENSATORE 6,3µF 2P 3mm		1
	65300577	KONDENSATOR 8µF 2P 3mm CONDENSATOR 8µF 2P 3mm		CONDENSATEUR 8µF 2P 3mm CONDENSADOR 8µF 2P 3mm		CONDENSATORE 8µF 2P 3mm		1
	65325038	KONDENSATOR 5µF 2P 3mm CONDENSATOR 5µF 2P 3mm		CONDENSATEUR 5µF 2P 3mm CONDENSADOR 5µF 2P 3mm		CONDENSATORE 5µF 2P 3mm		1
1160	13009981	MOTOR 0,16KW230V D12,7 BRANDERMOTOR VG/L 2 /02 120/160+DUO		MOTEUR 0,16KW 230V D12,7 MOTOR 0,16KW230V D12,7		MOTORE 0,16KW230V D12,7		1
	13010014	MOTOR 0,13KW230V D12,7 BRANDERMOTOR 0,13KW 230V D12,7		MOTEUR 0,13KW 230V D12,7 MOTOR 0,13KW230V D12,7		MOTORE 0,13KW230V D12,7		1
1170	65074172	KUPPLUNG D18/14,7/11X22 PUMPE/MOTOR KOPPELING D18/14,7/11X22 POMP/MOTOR		ACCOUPLLEMENT D18/14,7/11X22 POMPE/MOTEUR ACOPLAMIENTO D18/14,7/11X22 BOMBA/MOTOR		GIUNTO D18/14,7/11X22 POMPA/MOTORE		1
1175	13010118	OELPUMPE ASV 47 D 1696 OLIEPOMP ASV 47D 1696 1/4" V-L 1		POMPE FIOUL ASV 47 D 1696 BOMBA ASV 47 D 1696		POMPA ASV 47 D 1696 SUNTEC		1
	65300856	OELPUMPE BFP 21 L3 R2 POMP BFP 21 L3 R2		POMPE FIOUL BFP 21 L3 R2 BOMBA BFP 21 L3 R2		POMPA BFP 21 L3 R2		1
1180	13010470	SATZ DEKKELDICHTUNG+FILTER D20 SUN A SET DEKSELPAKKING+FILTER D20 SUN A		KIT JOINT COUVERCLE+FILTRE D20 SUN A KIT JUNTA CUBIERTA+FILTRO D20 SUN A		KIT GUARNIZ. COPERCHIO+FILTRO D20 SUN A		1
	65300834	FILTER H20-150µ/AS+PATRONE D16,3X43/BFP FILTER EN DEKSELPAKK. AL/AS/AE/AT + BFP		FILTRE KIT H20-150µ/AS+ CART.D16,3X43/BFP FILTRO KIT H20-150µ/AS+ CART.D16,3X43/BFP		FILTRO KIT H20-150µ/AS+ CART.D16,3X43/BFP		1
	65325685	PATRONE D16,3X43+O-RING/PUMPE BFP FILTER EN O-RING OLIEPOMP BFP52EL5		CARTOUCHE D16,3X43+O-RING/POMPE BFP CARTUCHO D16,3X43+O-RING /BOMBA BFP		CARTUCCIA D16,3X43+O-RING /POMPA BFP		1
1185	13010006	SPULE SUN PUMPE AS-AP-AL-AT-A2L SPOEL SUN POMP AS-AP-AL-AT-A2L		BOBINE SUN PUMP AS-AP-AL-AT-A2L BOBINA SUN BOMBA AS-AP-AL-AT-A2L		BOBINA SUN POMPA AS-AP-AL-AT-A2L		1
	65327118	SPULE 220-230 V NC T85 SPOEL 220-230 V NC T85		BOBINE 220-230 V NC T85 BOBINA 220-230 V NC T85		BOBINA 220-230 V NC T85		1
1190	65300725	CU-ROHR PUMPE/D-STANGE POMPBUIS/SPROEIERLIJNE		TUBE POMPE/LIGNE GICLEUR TUBO BOMBA/PORTA-BOQUILLA		TUBO POMPA/LINEA P. UGELLO		1
1200	12002251	OELSCHLAUCH L 1500 DN6 G3/8G1/4A OLIESLANG L 1500 DN6 G3/8G1/4A		FLEXIBLE FIOUL L 1500 DN6 G3/8-G1/4A LATIGUILLLO L 1500 DN6 G3/8G1/4A		FLESSIBILE GASOLIO L1500 DN6 G3/8G1/4A		1
1501	65300269	FEUERUNGSAUTOMAT TCH 141.03 BRANDERAUTOMAAT TCH 141.03		COFFRET TCH 141.03 PROGRAMADOR TCH 141.03		APPARECCHIATURA TCH 141.03		1
1502	65300521	KABEL RESET+STECKER FASTON/2XRAST2P L350 KABEL RESET+STCKFASTON/2XRAST2P L350		CABLE REARM.+PRISE FASTON/2XRAST2P L350 CABLE RESET+TOMA FASTON/2XRAST2P L350		CAVO RESET+PRESA FASTON/2XRAST2P L350		1
1503	13010519	KABEL MOTOR+STECKER 3P/RAST3P L300 KABEL MOTOR+STCK3P/RAST3P L300		CABLE MOTEUR+PRISE 3P/RAST3P L300 CABLE MOTOR+TOMA 3P/RAST3P L300		CAVO MOTORE+PRESA 3P/RAST3P L300		1
1504	65300619	KABEL ZÜNDTRAFU+STCK 2P/RAST2P L350 ONTSTEKINGSTRAFOKAB.+STEK.2P/RAST2P L350		CABLE ALLUMEUR+PRISE 2P/RAST2P L350 CABLE ENCENDEDOR+TOMA 2P/RAST2P L350		CAVO TRASFO ACCENS.+PRESA 2P/RAST2P L350		1
1505	13012675	KABEL ÖLVENTIL+STCK 3P/RAST3P L300V1 KABEL MAGNEETKLEP+STEKK.3P/RAST3P L300V1		CABLE EL.VANNE+PRISE 3P/RAST3P L300V1 CABLE EL.VALVULA+TOMA 3P/RAST3P L300V1		CAVO EL.VALVOLA+PRESA 3P/RAST3P L300V1		1
1510	65300727	HALTER Z.FEUERUNGSU.ANZEIGE STEUN VAN DE AUTOMAAT+DISPLAY		SUPPORT COFFRET+AFFICHEUR SOPORTE DEL CAJETÍN+PANTALLA		SUPPORTO PROGRAMM.+VISUALIZZ.		1
1530	13015182	ENTRIEGLUNGSKNOPF D16/19X33 SCHWARZ ONTGRENDDELINGSKNOP D16/19X33 ZWART		BOUTON REARMEMENT D16/19X33 NOIR BOTON DESBLOQUEO D16/19X33 NEGRO		BOTTONE RIARMO D16/19X33 NERO		1

		DE	FR	IT	
		NL	ES		
1535	65300523	PLATTE 170X81 ENTRIEGELUNGSKNOPF BCU AFSLUITPLAAT 170X81 RESET KNOP BCU.	PLAQUE 170X81 BOUTON REARMEMENT COFFRET PLACA 170X81 BOTÓN REINICIO PROGRAMADOR	PIASTRA 170X81 PULSANTE RIARMO APPARECC.	1
1540	13010523	STECKER WIELAND 7P SIEBGEDRUCKTEN CONTACTSTOP WIELAND 7P GEZEEDDRUKTE	PRISE MALE WIELAND 7P SERIGRAPHIE TOMA WIELAND 7P SERIGRAFIADO	SPINA WIELAND 7P SERIGRAFATO	1
1920	65326635	FOTOZELLE QRB1A LG.220+RAST5 FOTOCEL QRB1A LG.220+RAST5	CELLULE QRB1A LG.220+RAST5 CELULA QRB1A LG.220+RAST5	FOTOCELLULA QRB1A LG.220+RAST5	1
	65328028	FOTOZELLE FTEB3 L255+RAST5 FOTOCEL FTEB3 L255+RAST5	CELLULE FTEB3 L255+RAST5 CELULA FTEB3 L255+RAST5	FOTOCELLULA FTEB3 L255+RAST5	1
2020	13009987	STAUSCHEIBE D90/20X79 6SL R STUWPLAAT D90/20X79 6SL R	DEFLECTEUR D90/20X79 6SL R DEFLECTOR D90/20X79 6SL R	DIFFUSORE D90/20X79 6SL R	1
	13011040	STAUSCHEIBE D75/20 6SL L STUWRING D75/20 6SL L	DEFLECTEUR D75/20 6SL L DEFLECTOR D75/20 6SL L	DIFFUSORE D75/20 6SL L	1
2040	13018153	ZUENDELEKTRODENBLOC.25X43 D4 D1,5X32 30° ELECTRODEBLOK 25X43 D4 D1,5X32 30°	BLOC-ELECTRODES 25X43 D4 D1,5X32 30° BLOQUE ELECTRODOS 25X43 D4 D1,5X32 30°	BLOCCO ELETTRODI 25X43 D4 D1,5X32 30°	1
2060	13017802	EINSTELLSKALA INSTELLING SCHAAL	REGLETTE GRADUEE REGLETA GRADUADA	REGOLAZIONE GRADUATA	1
2070	13013524	ZÜNDKABEL D4/D4 L365 AP ONTSTEKINGSKABEL D4/D4 L365 AP	CABLE ALLUMAGE D4/D4 L365 AP CABLE ENCENDIDO D4/D4 L365 AP	CAVO ACCENSIONE D4/D4 L365 AP	1
	13014990	ZUENDKABEL D4/D4 L510 AP (X1) ONTSTEKINGSKABEL D4/D4 L510 AP (X1)	CABLE ALLUMAGE D4/D4 L510 AP (X1) CABLE ENCENDIDO D4/D4 L510 AP (X1)	CAVO ACCENSIONE D4/D4 L510 AP (X1)	1
2080	13016951	OEL R. DECKPLATTE+TUELLE KABEL AFDEKPLAAT OLIE R.+DRAADDOORVOER	PLAQUETTE TABLEAU FIOUL R.+PASSE CABLE PLACA PANEL CONTROL OLEO R.+PASSACABLE	PIASTRINA GASOLIO R.+PASSACAVO	1
2081	13017148	TUELLE 34X15/12 - 2XD3,25 DRAADDOORVOER 34X15/12 - 2XD3,25	PASSE-CABLE 34X15/12 - 2XD3,25 PASSACABLE 34X15/12 - 2XD3,25	PASSACAVO 34X15/12 - 2XD3,25	1
2100	13017464	BRENNKOPF OIL L300 D90/20-6SL.BG. VLAMKOP OLIE L300 D90/20-6SL.BG.	TETE COMB.FIOUL L300 D90/20-6SL.CPL. CABEZA COMB.OLEO L300 D90/20-6SL.CPL.	GRUPPO TESTA OLIO L300 D90/20-6SL.CPL.	1
	13017465	BRENNKOPF OIL L420 D90/20-6SL.BG. VLAMKOP OLIE L420 D90/20-6SL.BG.	TETE COMB.FIOUL L420 D90/20-6SL.CPL. CABEZA COMB.OLEO L420 D90/20-6SL.CPL.	GRUPPO TESTA OLIO L420 D90/20-6SL.CPL.	1
	65300858	BRENNKOPF OIL L300 D75/20 6SL.BG. VLAMKOP OLIE L300 D75/20 6SL.BG.	TETE COMB.FIOUL L300 D75/20 6SL.CPL. CABEZA COMB.OLEO L300 D75/20 6SL.CPL.	GRUPPO TESTA OLIO L300 D75/20 6SL.CPL.	1
	65300859	BRENNKOPF ÖL L420 D75/20 +DÜSE 2,25GPH VLAMKOP OLIE L420 D75/20+SPR.2,25GPH BG.	TETE COMB.FIOUL L420 D75+GIC.2,25GPH CPL CABEZA COMB.OLEO L420 D75+BOQ.2,25GPH	GR.TESTA OLIO L420 D75+UG.2,25GPH CPL.	1
2101	13018141	DÜSENSTANGE D8 L300 M8 SPROEIERLIJNE D8 L300 M8	LIGNE GICLEUR D8 L300 M8 LÍNEA DE BOQUILLA D8 L300 M8	LINEA UGELLO D8 L300 M8	1
	13018142	DÜSENSTANGE D8 L420 M8 SPROEIERLIJNE D8 L420 M8	LIGNE GICLEUR D8 L420 M8 LÍNEA DE BOQUILLA D8 L420 M8	LINEA UGELLO D8 L420 M8	1
2105	13018403	EINSTELLRING D25/19X3/DUESE-STAUSCHEIBE INSTELLRING D25/19X3/SPOIER-STUWPLAAT	BAGUE D'ARRET D25/19X3/GICL.-DEFLECT. ANILLO DE TOPE D25/19X3/BOQU.-DEFLECT.	BOCCOLA DI FERMO D25/19X3/UGELLO-DIFFU.	1
2140	13018148	BRENNERROHR D115/100 L230 BRANDERBUIJS D115/100 L230	TUBE DE FLAMME D115/100 L230 TUBO DE LLAMA D115/100 L230	BOCCAGLIO D115/100 L230	1
	13018149	BRENNERROHR D115/100 L350 BRANDERBUIJS D115/100 L350	TUBE DE FLAMME D115/100 L350 TUBO DE LLAMA D115/100 L350	BOCCAGLIO D115/100 L350	1
	65300860	BRENNERROHR D100/78/75 L230 BRANDERBUIJS D100/78/75 L230	TUBE DE FLAMME D100/78/75 L230 TUBO DE LLAMA D100/78/75 L230	BOCCAGLIO D100/78/75 L230	1
	65300861	BRENNERROHR D100/78/75 L360 BRANDERBUIJS D100/78/75 L360	TUBE DE FLAMME D100/78/75 L360 TUBO DE LLAMA D100/78/75 L360	BOCCAGLIO D100/78/75 L360	1
2148	65326440	KOPFDECKEL D115/110X35/NC12-21/V2/P2 KOPDEKSEL D115/110X35/NC12-21/V2/P2	COUVERCLE TETE D115/110X35/NC12-21/V2/P2 TAPA CABEZA D115/110X35/NC12-21/V2/P2	COPERCHIO TESTA D115/110X35/NC12-21/V2	1
2150	13018135	DICHTUNG/BRENNERFLANSCH 176X176X8 D115 PAKKING MONTAGEFL. 176X176X8 D115	JOINT/BRIDE BRULEUR 176X176X8 D115 JUNTA/BRIDA QUEMADOR 176X176X8 D115	GUARNIZIONE/FLANGIA BRUC. 176X176X8 D115	1
	13023305	DICHTUNG/BRENNERFLANSCH 176X176X8 D100 PAKKING/OPHANGFLENS 176X176X8 D100	JOINT/BRIDE BRULEUR 176X176X8 D100 JUNTA/BRIDA QUEMADOR 176X176X8 D100	GUARNIZIONE/FLANGIA BRUC. 176X176X8 D100	1
2160	13018134	KESSELZUBEHOER D115 EUROFLANSCH BEVESTIGINGSSET KETEL D115 EUROFLENS	ACCESSOIRE CHAUDIERE D115 EUROBRIDE ACCESORIO CALDERA D115 EUROBRIDA	ACCESSORIO CALDAIA D115 EUROFLANGIA	1
	13023304	ANSCHLUSSFLANSCH BG D100 BEVESTIGINGSSET KETEL D100 EUROFLENS	ACCESSOIRE CHAUDIERE D100 EUROBRIDE ACCESORIO CALDERA D100 EUROBRIDA	ACCESSORIO CALDAIA D100 EUROFLANGIA	1
2285	65326694	SCHRAUBE M6X55 KOMBITORX SCHROEF M6X55 KOMBITORX	VIS M6X55 KOMBITORX TORNILLO M6X55 KOMBITORX	VITE M6X55 KOMBITORX	1
5001	13016069	DUESE DAN 1,75GPH 45°S NOZZLE DAN 1,75GPH 45°S	GICLEUR DAN 1,75GPH 45°S BOQUILLA DAN 1,75GPH 45°S	UGELLO DAN 1,75GPH 45°S	1
	13016071	DUESE DAN 2,25GPH 45° S NOZZLE DAN 2,25GPH 45° S	GICLEUR DAN 2,25GPH 45° S BOQUILLA DAN 2,25GPH 45° S	UGELLO DAN 2,25GPH 45° S	1
	13016075	DUESE DAN 3,00GPH 45° S NOZZLE DAN 3,00GPH 45° S	GICLEUR DAN 3,00GPH 45° S BOQUILLA DAN 3,00GPH 45° S	UGELLO DAN 3,00GPH 45° S	1
	13018449	DUESE DAN 2,75GPH 45° S NOZZLE DAN 2,75GPH 45° S	GICLEUR DAN 2,75GPH 45° S BOQUILLA DAN 2,75GPH 45° S	UGELLO DAN 2,75GPH 45° S	1

		 			
1005	13021733	ВОЗДУШНАЯ КАМЕРА 315X164X62+INSULATION HAVA KUTUSU 315X164X62+INSULATION	CAIXA DE AR 315X164X62+ISOLAMENTO	KOMORA POWIETRZA 315X164X62+INSULATION	1
1010	13017369	ИЗОЛЯЦИЯ ВОЗДУШНОГО БЛОКА İZOLASYONU HAVA KUTUSU	ISOLAMENTO CAIXA DE ENTRADA DE AR	IZOLACJA OBUDOWA UKŁADU POWIETRZA	1
1015	65300944	КОРПУС 325X320X87 D125 NC12-21/V2 KARTER 325X320X87 D125 NC12-21/V2	CARÇAÇA 325X320X87 D125 NC12-21/V2	OBUDOWA 325X320X87 D125 NC12-21/V2	1
1020	13017364	ЗАСЛОН.РЕЦИРК ВОЗДУХА 119/114X60(ЧЕРНЫЙ) HAVA GERİ DONUŞUMU 119/114X60 78°(SIYAH)	RECICLAGEM DE AR 119/114X60 78° (PRETO)	RECYRKUL.POWIETR. 119/114X60 78°(CZARNY)	1
	13023270	ЗАСЛОН.РЕЦИРК ВОЗДУХА 109/102X60(МЕТАЛЛ) HAVA GERİ DONUŞUMU 109/102X60 78°(MADEN)	RECICLAGEM DE AR 109/102X60 78° (METAL)	RECYRKUL.POWIETRZA 109/102X60 78°(METAL)	1
	65301112	ЗАСЛОН.РЕЦИРК ВОЗДУХА 109/92X60 (МЕТАЛЛ) HAVA GERİ DONUŞUMU 109/92X60 78° (MADEN)	RECICLAGEM DE AR 109/92X60 78° (METAL)	RECYRKUL.POWIETRZA 109/92X60 78° (METAL)	1
1030	13009663	ТРАНСФО РОЗЖИГА ЕБИ 2X7,5 230V ATEŞLEME TRAFO. EBI 2X7,5 230V	TRANSFO IGNIÇÃO EBI 2X7,5 230V	TRANSFO ZAPŁONOWY EBI 2X7,5 230V	1
1050	13018138	ВОЗДУШНАЯ ЗАСЛОНКА 124X65X63,5+КНОПКА HAVA KLAPEŞİ 124X65X63,5+BUTONU	FLAP DA AR 124X65X63,5+BOTÃO	PRZEPUSTNICA POW.124X65X63,5+PRZYCISK	1
1070	13010012	РАБОЧЕЕ КОЛЕСО D146X52 d12,7 TÜRBİN D146X52 D12,7	TURBINA D146X52 d12,7	WIMIK D146X52 D12,7	1
	13010095	РАБОЧЕЕ КОЛЕСО D160X52 D12,7 TÜRBİN D160X52 D12,7	TURBINA D160X52 D12,7	WIMIK D160X52 D12,7	1
	65301056	РАБОЧЕЕ КОЛЕСО D133X42 D12,7 TÜRBİN D133X42 D12,7	TURBINA D133X42 D12,7	WIMIK D133X42 D12,7	1
1080	65326439	ПЛИТА ДВИГАТЕЛЬ 313X218X18,5 D99 H-B/L-G MOTORU PLAKA 313X218X18,5 D99 H-B/L-GL	CHAPA MOTOR 313X218X18,5 D99 H-B/L-GL	PLYTA SILNIK 313X218X18,5 D99 H-B/L-GL	1
1100	65300723	КОЖУХ СЕРЫЙ 326X322X253+ВИНТ/В 2 KARAĞI GRI 326X322X253+VIDASI/V 2	COBERTURA CINZA 326X322X253+PARAFUSO/V 2	OSŁONA SZARY 326X322X253+SRUBA/V 2	1
1111	65300519	ВИНТ С ПЛОСКОЙ ГОЛОВКОЙ M5X15 DÜZ BAŞLI VIDA M5X15	PARAFUSO CABEÇA PLANA M5X15	ŚRUBA Z ŁBEM NITOWYM PŁASKIM M5X15	1
1150	13010016	КОНДЕНСАТОР 6,3µF 2P 3mm KONDENSATOR 6,3µF 2P 3MM	CAPACITOR 6,3µF 2P 3mm	KONDENSATOR 6,3µF 2P 3MM	1
	65300577	КОНДЕНСАТОР 8µF 2P 3mm KONDENSATOR 8µF	CAPACITOR 8µF 2P 3mm	KONDENSATOR 8µF 2P 3mm	1
	65325038	КОНДЕНСАТОР 5µF 2P 3mm KONDENSATOR 5µF 2P 3MM	CAPACITOR 5µF 2P 3mm	KONDENSATOR 5µF 2P 3MM	1
1160	13009981	ЭЛЕКТРОДВИГАТЕЛЬ 0,16KW230V D12,7 MOTORU 0,16KW 230V D12,7	MOTOR 0,16KW230V D12,7	SILNIK 0,16KW 230V D12,7	1
	13010014	ЭЛЕКТРОДВИГАТЕЛЬ 0,13KW230V D12,7 MOTORU 0,13KW 230V D12,7	MOTOR 0,13KW230V D12,7	SILNIK 0,13KW 230V D12,7	1
1170	65074172	СЦЕПЛЕНИЕ D18/14,7/11X22НАСОС/ЭЛЕКТРОДВ. KARPLİN D18/14,7/11X22 POMPA/MOTORU	ACOPLAMENTO D18/14,7/11X22 BOMBA/MOTOR	ŁĄCZNIK D18/14,7/11X22 POMPA /SILNIK	1
1175	13010118	НАСОС ASV 47-D-1696 POMPA ASV 47 D 1696	BOMBA ASV 47 D 1696	POMPA ASV 47 D 1696	1
	65300856	НАСОС BFP 21L3R2 POMPA BFP 21 L3 R2	BOMBA BFP 21 L3 R2	POMPA BFP 21 L3 R2	1
1180	13010470	КОМПЛЕКТ ПРОКЛАД.КРЫШКА+ФИЛЬТР D20 SUN A KITİ CONTASI KAPAK+FILTRE D20 SUN A	KIT GAXETA TAMPA+FILTRO D20 SUN A	ZESTAW USZCZELKA POKR.+FILTR D20 SUN A	1
	65300834	ФИЛЬТР KIT H20-150µAS+КАРТ.D16,3X43/BFP FILTRE KIT H20-150µAS+ART.D16,3X43/BFP	FILTRO KIT H20-150µAS+ART.D16,3X43/BFP	FILTR KIT H20-150µAS+ART.D16,3X43/BFP	1
	65325685	КАРТРИДЖ D16,3X43+O-RING/НАСОС BFP KARTUŞD16,3X43+O-RING/POMPA BFP	CARTUCHO D16,3X43+O-RING /BOMBA BFP	NABÓJ D16,3X43+O-RING/POMPA BFP	1
1185	13010006	ОБМОТКА SUN НАСОС AS-AP-AL-AT-A2L BOBIN X POMPA SUN AS-AP-AL-AT-A2L	BOBINA SUN BOMBA AS-AP-AL-AT-A2L	CEWKA X POMPA SUN AS-AP-AL-AT-A2L	1
	65327118	ОБМОТКА 220-230 V NC T85 BOBIN 220-230 V NC T85	BOBINA 220-230 V NC T85	CEWKA 220-230 V NC T85	1
1190	65300725	ТРУБКА НАСОС/ЛИНИЯ ФОРСУНКИ POMPA BORUSU/PÜSKÜRTME MEMESİ TAŞIYICI	TUBO BOMBA/LINHA BOCAL	PRZEWÓD POMPA/UKŁAD DYSZY	1
1200	12002251	ШЛАНГ L 1500 DN6 G3/8G1/4A ESNEK DN6 L1,5M (X1)	FLEXIVEL L 1500 DN6 G3/8G1/4A	PRZEWÓD GIĘTKI DN6 L1,5M (X1)	1
1501	65300269	БЛОК УПРАВЛЕНИЯ TCH 141.03 KUTU TCH 141.03	PROGRAMADOR TCH 141.03	MODUŁ TCH 141.03	1
1502	65300521	КАБЕЛЬ RESET+PLUGFASTON/2XRAST2P L350 KABLOŞU RESET+PLUGFASTON/2XRAST2P L350	CABO RESET+TOMADA FASTON/2XRAST2P L350	PRZEWÓD RESET+PLUGFASTON/2XRAST2P L350	1
1503	13010519	КАБЕЛЬ ЭЛЕКТРОДВИГАТЕЛЬ+P.3P/RAST3P L300 MOTORU KABLOŞU+FIŞ 3P/RAST3P L300	CABO MOTOR+TOMADA 3P/RAST3P L300	PRZEWÓD SILNIK+WTYCZKA 3P/RAST3P L300	1
1504	65300619	КАБЕЛЬ ТРАНСФО РОЗЖИГА+ШТ.2P/RAST2P L350 KABLOŞU ATEŞL. TRAFO.+FIŞ 2P/RAST2P L350	CABO TRANSFO IGNIÇÃO+TOM.2P/RAST2P L350	PRZEWÓD TRANSFO ZAPŁ.+WTY.2P/RAST2P L350	1
1505	13012675	КАБЕЛЬ ЭЛЕКТРОКЛАПАН+ШТ.3P/RAST3P L300V1 KABLOŞU ELECTROVANA+FIŞ 3P/RAST3P L300V1	CABO EL.VALVULA+TOMADA 3P/RAST3P L300V1	PRZEWÓD EL.ZAWOR+WTYCZK.3P/RAST3P L300V1	1
1510	65300727	ОПОРА БЛОКА УПРАВЛЕНИЯ+ДИСПЛЕЙ KUTU DESTEĞİ+EKRAN	SUPORTE UNIDADE DE CONTROLE+VISOR	WSPORNIK MODUŁU+WYŚWIETLACZ	1
1530	13015182	КНОПКА РАЗБЛОКИРОВКИ D16/19X33 BLACK BOŞALTMA BUTONU D16/19X33 BLACK	BOTÃO REARME D16/19X33 PRETO	PRZYCISK ODBLOKOWUJĄCY D16/19X33 BLACK	1

		 	 	 	
1535	65300523	КНОПКА 170X81 СБРОСА ПЛАСТИНЫ ВСU MASASI 170X81 /KILIT AÇMA BUTONU KUTU	PLACA 170X81 BOTÃO DE REARME PROGRAMADOR	OSŁONA 170X81 PRZYCISK RESET MODUŁ	1
1540	13010523	РОЗЕТКА WIELAND 7P SCREENPRINTED PRIZ WIELAND 7P SCREENPRINTED	TOMADA WIELAND 7P SERIGRAFIADO	WTYCZKA WIELAND 7P SITODRUK	1
1920	65326635	ФОТОРЕЗИСТОР QRB1A LG.220+RAST5 HÜCRE QRB1A LG.220+RAST5	CELULA QRB1A LG.220+RAST5	FOTOKOMÓRKA QRB1A LG.220+RAST5	1
	65328028	ФОТОРЕЗИСТОР FTEB3 L255+RAST5 HÜCRE FTEB3 L255+RAST5	CELULA FTEB3 L255+RAST5	FOTOKOMÓRKA FTEB3 L255+RAST5	1
2020	13009987	ДЕФЛЕКТОР D90/20X79 6SL R DEFLEKTOR D90/20X79 6SL R	DEFLECTOR D90/20X79 6SL R	DEFLEKTOR D90/20X79 6SL R	1
	13011040	ДЕФЛЕКТОР D75/20 6SL L DEFLEKTOR D75/20 6SL L	DEFLECTOR D75/20 6SL L	DEFLEKTOR D75/20 6SL L	1
2040	13018153	БЛОК ЭЛЕКТРОДОВ 25X43 D4 D1,5X32 30° ELEKTROD BLOĞU 25X43 D4 D1,5X32 30°	BLOCO ELETRODO 25X43 D4 D1,5X32 30°	BLOK ELEKTROD 25X43 D4 D1,5X32 30°	1
2060	13017802	ШКАЛА НАСТРОЙКИ OLÇEK AYARI	ESCALA DE REGULAÇÃO	SKALA NASTAWCZA	1
2070	13013524	КАБЕЛЬ РОЗЖИГА D4/D4 L365 AP (X1) ATEŞLEME KABLOSU D4/D4 L365 AP (X1)	CABO IGNIZACAO D4/D4 L365 AP (X1)	PRZEWÓD ZAPŁONOWY D4/D4 L365 AP (X1)	1
	13014990	КАБЕЛЬ РОЗЖИГА D4/D4 L510 AP (X1) ATEŞLEME KABLOSU D4/D4 L510 AP (X1)	CABO IGNIZACAO D4/D4 L510 AP (X1)	PRZEWÓD ZAPŁONOWY D4/D4 L510 AP (X1)	1
2080	13016951	ЩИТОК ПАНЕЛИ УПРАВЛЕНИЯ+УПЛОТНЕНИЕ GÖSTERGE PLAKASI+KABLO KANALI	PLACA PANEL CONTROL OLEO R.+PASACABOS	PŁYTA TABLICZY WSKAŹNIKÓW	1
2081	13017148	РЕЗИНОВАЯ ВОРОНКА 34X15/12 - 2XD3,25 KABLO KANALI 34X15/12 - 2XD3,25	FUNIL 34X15/12 - 2XD3,25	PRZELOTKA 34X15/12 - 2XD3,25	1
2100	13017464	ГОЛОВКА СГОР.ТОПЛИВА L300 D90/20-6SL.CPL YANMA BAŞLIĞI YAĞ L300 D90/20-6SL.CPL.	CABEÇA COMB.OLEO L300 D90/20-6SL.CPL.	GŁOWICA SPAL.OLEJ L300 D90/20-6SL.CPL.	1
	13017465	ГОЛОВКА СГОР.ТОПЛИВА L420 D90/20-6SL.CPL YANMA BAŞLIĞI YAĞ L420 D90/20-6SL.CPL.	CABEÇA COMB.OLEO L420 D90/20-6SL.CPL.	GŁOWICA SPAL.OLEJ L420 D90/20-6SL.CPL.	1
	65300858	ГОЛОВКА СГОР.ТОПЛИВА L300 D75/20 6SL.CPL YANMA BAŞLIĞI YAĞ L300 D75/20 6SL.CPL.	CABEÇA COMB.OLEO L300 D75/20 6SL.CPL.	GŁOWICA SPAL.OLEJ L300 D75/20 6SL.CPL.	1
	65300859	ГОЛОВ.СГОР.ТОП. L420 D75/20 +ФОР.2,25GPH YANMA BAŞ. YAĞ L420 D75/20 +NOZ.2,25GPH	CABEÇA COMB.OLEO L420 D75+BOQ.2,25GPH	GŁOWICA SP.OLEJ L420 D75/20 +DYS.2,25GPH	1
2101	13018141	ЛИНИЯ ФОРСУНКИ D8 L300 M8 PÜSKÜRTME MEM.HATTI D8 L300 M8	LÍNEA DE BOQUILLA D8 L300 M8	UKŁAD DYSZY D8 L300 M8	1
	13018142	ЛИНИЯ ФОРСУНКИ D8 L420 M8 PÜSKÜRTME MEM.HATTI D8 L420 M8	LÍNEA DE BOQUILLA D8 L420 M8	UKŁAD DYSZY D8 L420 M8	1
2105	13018403	УПОРНОЕ КОЛЬЦО D25/19X3/ФОРСУ.-ДЕФЛЕКТОР BAKI BILEZİĞİ D25/19X3/PÜSK.-DEFLEKT.	ANEL DE BATENTE D25/19X3/BOQU.-DEFLECT.	PIERŚCIEŃ D25/19X3/DISZA-DEFLEKT.	1
2140	13018148	СОПЛО ГОРЕЛКИ D115/100 L230 BRÜLÖR BORUSU D115/100 L230	TUBO DO QUEIMADOR D115/100 L230	RURA PALNIKA D115/100 L230	1
	13018149	СОПЛО ГОРЕЛКИ D115/100 L350 BRÜLÖR BORUSU D115/100 L350	TUBO DO QUEIMADOR D115/100 L350	RURA PALNIKA D115/100 L350	1
	65300860	СОПЛО ГОРЕЛКИ D100/78/75 L230 BRÜLÖR BORUSU D100/78/75 L230	TUBO DO QUEIMADOR D100/78/75 L230	RURA PALNIKA D100/78/75 L230	1
	65300861	СОПЛО ГОРЕЛКИ D100/78/75 L360 BRÜLÖR BORUSU D100/78/75 L360	TUBO DO QUEIMADOR D100/78/75 L360	RURA PALNIKA D100/78/75 L360	1
2148	65326440	КРЫШКА ГОЛОВКА D115/110X35/NC12-21/V2/P2 KAPAK KAFA D115/110X35/NC12-21/V2/P2	TAMPA CABEÇA D115/110X35/NC12-21/V2/P2	POKRYWA GŁOWIC.D115/110X35/NC12-21/V2/P2	1
2150	13018135	ПРОКЛАДКА/ФЛАНЕЦ ГОРЕЛКИ 176X176X8 D115 CONTASI/BRULOR FLANŞI 176X176X8 D115	GAXETA/FLANGE QUEIMADOR 176X176X8 D115	USZCZELKA/KOŁNIERZ PAL.176X176X8 D115	1
	13023305	ПРОКЛАДКА/ФЛАНЕЦ ГОРЕЛКИ 176X176X8 D100 CONTASI/BRULOR FLANŞI 176X176X8 D100	GAXETA/FLANGE QUEIMADOR 176X176X8 D100	USZCZELKA/KOŁNIERZ PAL.176X176X8 D100	1
2160	13018134	ПРИНАДЛЕЖНОСТИ КОТЛА D115 EUROBRIDE KAZAN AKSESUARLARI D115 EUROBRIDE	ACCESORIO CALDERA D115 EUROFLANGE	AKCESORIA DO KOTŁA D115 EUROBRIDE	1
	13023304	ПРИНАДЛЕЖНОСТИ КОТЛА D100 EURO-ФЛАНЕЦ KAZAN AKSESUARLARI D100 EURO-FLANŞI	ACESSÓRIO CALDEIRA D100 EUROFLANGE	AKCESORIA ZASOBNIKA	1
2285	65326694	ВИНТ M6X55 KOMBITORX VIDASI M6X55 KOMBITORX	PARAFUSO M6X55 KOMBITORX	ŚRUBA M6X55 KOMBITORX	1
5001	13016069	ФОРСУНКА DAN 1,75GPH 45° S PÜSK. MEMESI DAN 1,75GPH 45° S	BOQUILLA DAN 1,75GPH 45° S	DYSZA DAN 1,75GPH 45° S	1
	13016071	ФОРСУНКА DAN 2,25GPH 45° S PÜSK. MEMESI DAN 2,25GPH 45° S	BOQUILLA DAN 2,25GPH 45° S	DYSZA DAN 2,25GPH 45° S	1
	13016075	ФОРСУНКА DAN 3,00GPH 45° S PÜSK. MEMESI DAN 3,00GPH 45° S	BOQUILLA DAN 3,00GPH 45° S	DYSZA DAN 3,00GPH 45° S	1
	13018449	ФОРСУНКА DAN 2,75GPH 45° S PÜSK. MEMESI DAN 2,75GPH 45° S	BOQUILLA DAN 2,75GPH 45° S	DYSZA DAN 2,75GPH 45° S	1



ADDRESSES

<https://www.elco-burners.com>

www.elco.net



LIST OF THE ABBREVIATIONS

-  : Maintenance parts / Pièces d'entretien / Materiali di consumo /
: Piezas de mantenimiento / Hilfsmaterial / Onderhoudsonderdelen
-  : Wearing parts / Pièces d'usure / Parti di usura
: Piezas de desgaste / Verschleissteile / Slijtageonderdelen
- * : Item not stocked, manufactured to order / Article non stocké, fabrication à la demande /
: Articolo non a magazzino, produzione all'ordine / Artículo no almacenado, fabricación previa solicitud /
: Keine Lagerware, wird bei Bedarf bestellt, Artikel niet op voorraad, fabricage op bestelling

IDENTIFICATION PLATE

SERIAL NUMBER

7 Characters : 00001 / K A

Sequential number ————|—————|—————|—————|—————|—————|—————|

Trimester of manufacture : from A to D
Year of manufacture : —————> K → 2003
L → 2004
M → 2005
etc ...

8 Characters : 00001 / L 09

Sequential number ————|—————|—————|—————|—————|—————|—————|

Month of manufacture
Year of manufacture : —————> K → 2003
L → 2004
M → 2005
etc ...

11 Characters : 2007 1370 P 07

Year of manufacture ————|—————|—————|—————|—————|—————|—————|

Month of manufacture
Year of manufacture : P → 2007
R → 2008
S → 2009
T → 2010
U → 2011
W → 2012
X → 2013
Y → 2014
Z → 2015

18 Characters : 070115 000000000001

Sequential number
Manufacturing day (07) / Month (01) / Year (15)

The indications mentioned on the prices, commercial or technical literature and the scheme are written for your guidance and are available at a given time. The CONSTRUCTOR retains the power to modify the presentation, the form, the size, the conception or the material of the products.