

## SPARE PARTS EXPLODED VIEW OIL BURNER

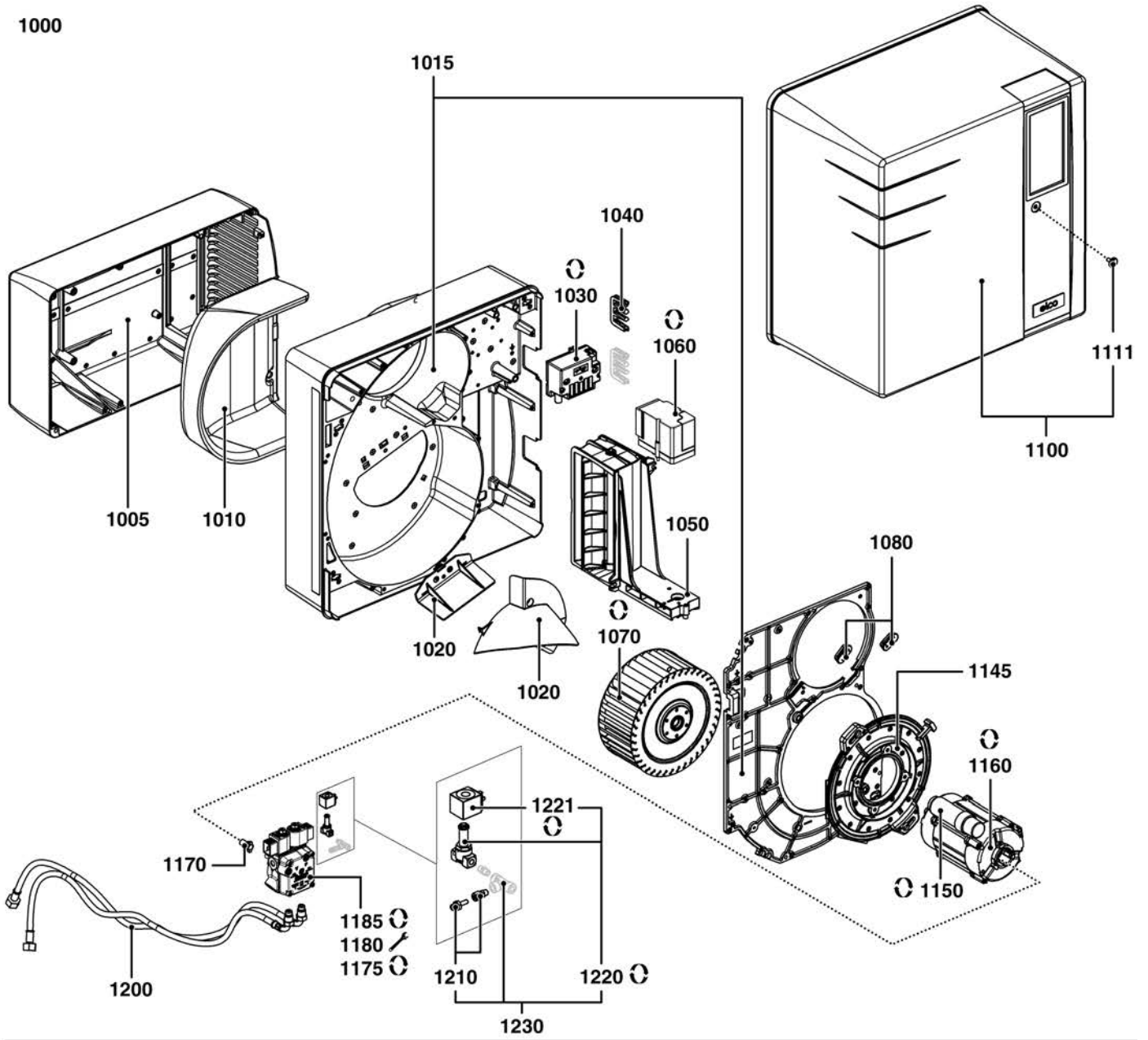
Model

### CB-VL4DP

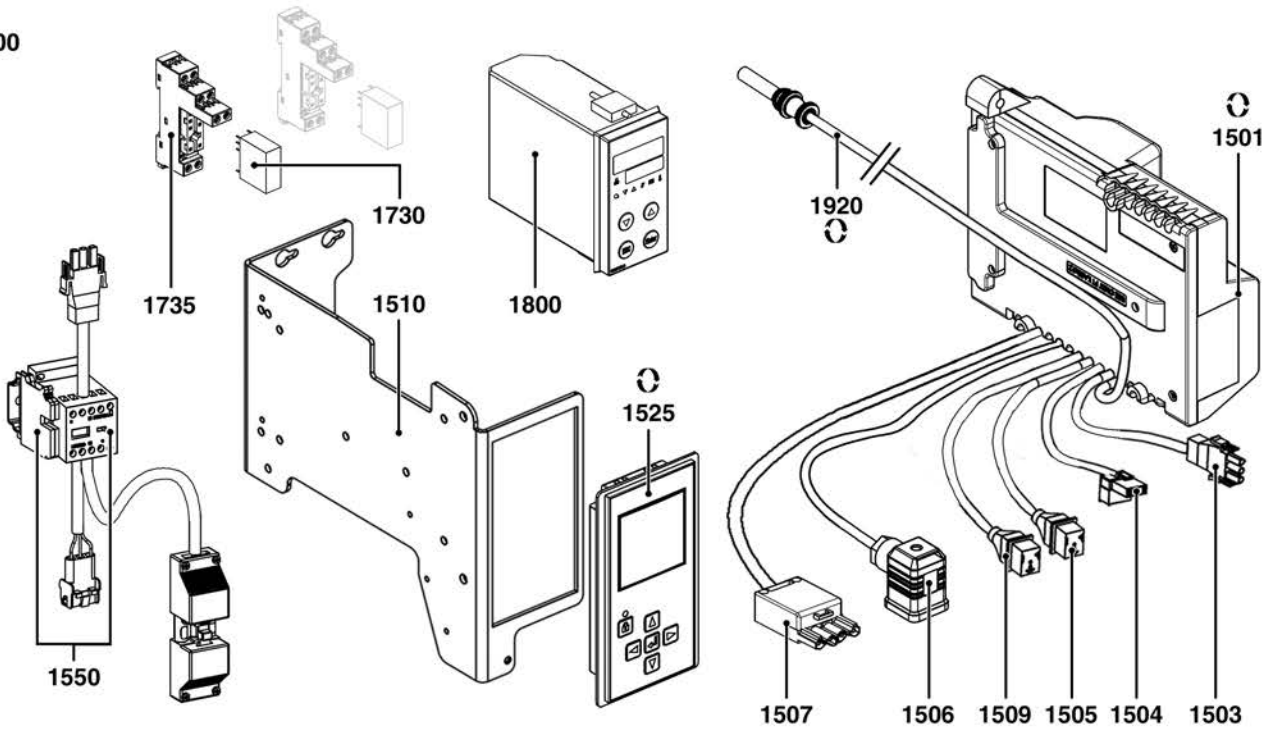
R8220078-03 - 31/10/2019

1	3833972	BB-VL 4.460 DP	02-2011	-
2	3833973	BB-VL 4.610 DP	03-2011	-
3	3836913	BB-VL4.610 DP S	07-2019	-
4	3833081	CH-O0521-T1/KN	07-2009	-
5	3833175	CH-O0521-T2/KL	01-2010	-
6	3832013	CH-O0522-T1/KN	06-2008	-
7	3833174	CH-O0522-T2/KL	01-2010	-
Col	Reference	Model type	Begin	End

1000



1500

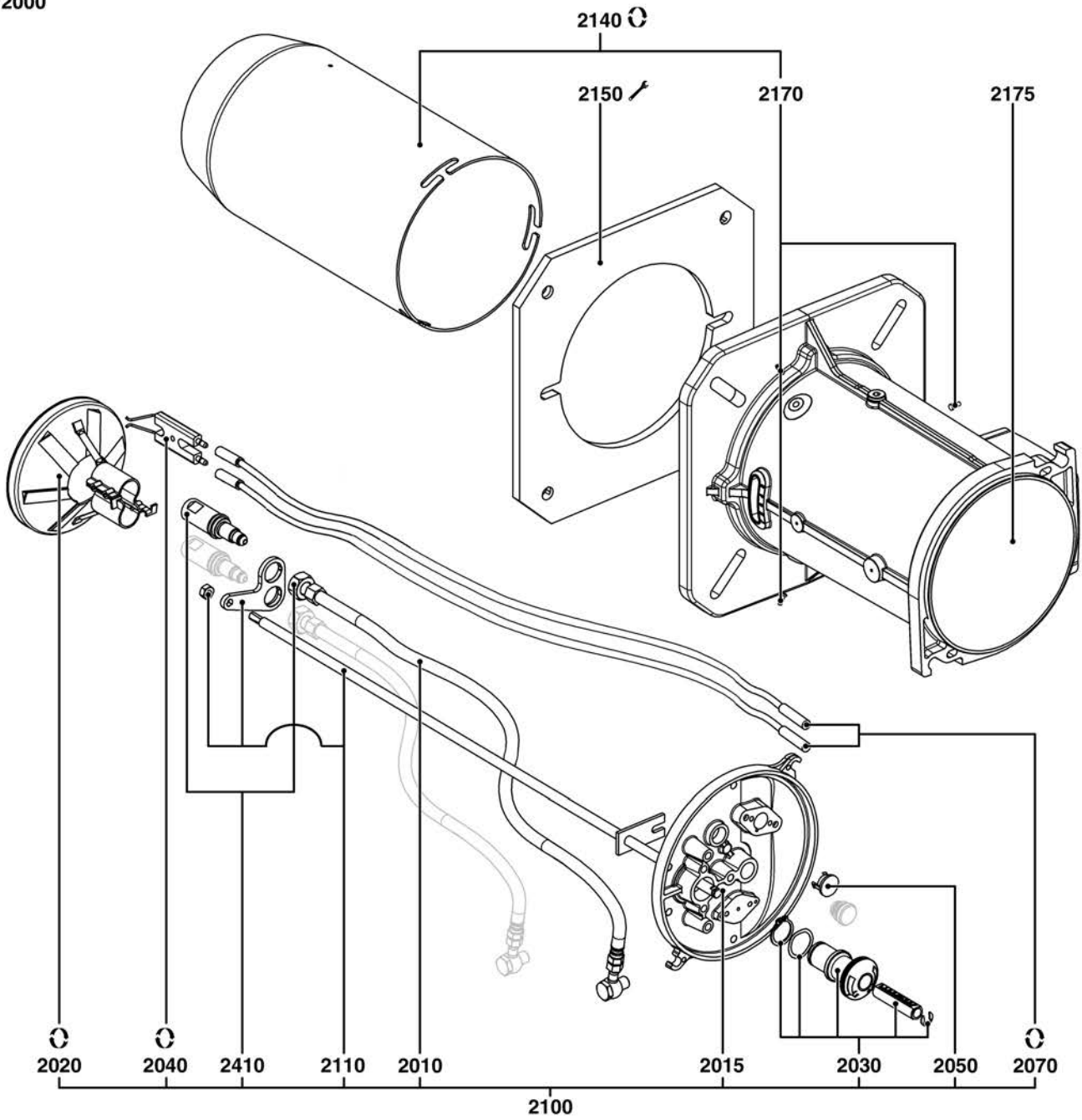




2000

CB-VL4DP

Oil burner



5000





		DE NL	FR ES	IT	X
1005	65326874	LUFTKASTEN NC46-61/VECTRON 4 LUCHTKAST NC46-61/VECTRON 4	BOITE A AIR NC46-61/VECTRON 4 CAJA DE AIRE NC46-61/VECTRON 4	CASSA ARIA NC46-61/VECTRON 4	1
1010	65300808	ISOLIERUNG -LUFTKASTEN VL+VG4 ISOLATIE LUCHTKAST	ISOLATION BOITE A AIR AISLAMIENTO CAJA DE AIRE	ISOLAMENTO SCATOLA DELL'ARIA	1
1015	65326235	GEHÄUSE 467X457X103 BOHR.D6 NC46/61/V4 BRANDERHUIS 467X457X103 BO.D6 NC46/61/V4	CARTER 467X457X103 PERC.D6 NC46/61/V4 CARTER 467X457X103 PERF.D6 NC46/61/V4	FUSIONE 467X457X103 FORO D6 NC46/61/V4	1
1020	13017364	ANSAUGLUFTFUEHR. 119/114X60 78°(SCHWARZ) LUCHTGELEIDING 119/114X60 78° (ZWART)	RECYCLAGE AIR 119/114X60 78° (NOIR) RECICLAJE DE AIRE 119/114X60 78° (NEGRO)	CONVOGLIATORE ARIA 119/114X60 78° (NERO)	1
	65300809	ANSAUGLUFTFÜHRUNG R115+FLÜGEL 124X91 55° LUCHTGELEIDING R115+SPOILER 124X91 55°	RECYCLAGE AIR R115+AILETTE 124X91 55° RECICLAJE AIRE R115+ALERON 124X91 55°	CONVOGL. ARIA R115+SURPRES.124X91 55°	1
1030	13009663	ZUENDTRAFO EBI 2X7,5 230V ONTSTEKINGSTRAFO EBI 2X7,5 230V	ALLUMEUR EBI 2X7,5 230V ENCENDEDOR EBI 2X7,5 230V	TRASFO. ACC. EBI 2X7,5 230V+PRESA TERRA	1
1040	13016845	KABELDURCHFÜHRUNG / GEHÄUSE KABELDOORVOERING	PASSE FIL/CARTER PASACABLES/CÁRTER	PASSAFILO/ CARTER	1
1050	65300810	LUFTKLAPPE 209X96X81,5 BG. LUCHTKLEP 209X96X81,5 BG.	VOLET AIR 209X96X81,5 CPL. VALVULA AIRE 209X96X81,5 CPL.	SERRANDA ARIA 209X96X81,5 CPL.	1
1060	65300527	STELLANTR. STE4,5 B0.37/6-R M.KABEL L600 REGELMOTOR STE 4,5 B0.37/6-R +KABEL L600	SERVOMOTEUR STE4,5 B0.37/6-R +CABLE L600 SERVOMOTOR STE 4,5 B037/6 R+CABLE L600	SERVOMOTORE STE 4,5 B0.37/6-R +CAVO L600	1
1070	13011096	VENTILATORRAD D180X75 D12,7 VENTILATORRAD VG04DP/EK04G/FØ180 X 75	TURBINE D180X75 D12,7 TURBINA D180X75 D12,7	VENTOLA D180X75 D12,7	1
	65300811	VENTILATORRAD D190X82 D12,7 VENTILATORWIEL D190X82 D12,7	TURBINE D190X82 D12,7 TURBINA D190X82 D12,7	VENTOLA D190X82 D12,7	1
1080	65300517	KABELDURCHFÜHRUNG / GERÄTEPLATTE DRAADDOORVOER/BASISPLAAT	PASSE FIL/PLATINE PASACABLES/PLATINA	PASSAFILO/PIASTRA	1
1100	65300812	BRENNERHAUBE GRAU 458X462X276+SCHRA. IV 4 BRANDERKAP GRAU 458X462X276+SCHROEF/IV 4	CAPOT GRIS 458X462X276+VIS/IV 4 CUBIERTA GRIS 458X462X276+TORNILLO/IV 4	COFANO GRIGIO 458X462X276+VITE/IV 4	1
1111	65300519	FLACHKOPF-SCHRAUBE M5X15+SPITZE PLATKOPPSCHROEF M5X15	VIS A TETE PLATE M5X15 TORNILLO DE CABEZA PLANA M5X15	VITE A TESTA PIANA M5X15	1
1145	65301222	MOTORPLATTE VECTRON 4 / NC46-61 MOTOR MONTAGEPLAAT VECTRON 4 / NC46-61	FLASQUE SUPP. MOTEUR VECTRON 4 / NC46-61 PLACA MONTAJE MOTOR VECTRON 4 / NC46-61	PIASTRA MONTAG. MOTORE VECTRON 4/NC46-61	1
1150	13015715	KONDENSATOR 12µF 2P 3mm CONDENSATOR 12µF 2P 3mm	CONDENSATEUR 12µF 2P 3mm CONDENSADOR 12µF 2P 3mm	CONDENSATORE 12µF 2P 3mm	1
	65301177	KONDENSATOR 18µF 2P 6,4mm CONDENSATOR 18µF 2P 6,4mm	CONDENSATEUR 18µF 2P 6,4mm CONDENSADOR 18µF 2P 6,4mm	CONDENSATORE 18µF 2P 6,4mm	1
	65301178	KONDENSATOR 16µF 2P 6,4mm CONDENSATOR 16µF 2P 6,4mm	CONDENSATEUR 16µF 2P 6,4mm CONDENSADOR 16µF 2P 6,4mm	CONDENSATORE 16µF 2P 6,4mm	1
1160	65300813	MOTOR 0,42KW 230V D12,7 BRANDERMOTOR V-G /L 4 460, 0,42KW	MOTEUR 0,42KW 230V D12,7 MOTOR 0,42KW 230V D12,7	MOTORE 0,42KW 230V D12,7	1
	65300814	MOTOR 0,75KW 230V D12,7 MOTOR 0,75KW 230V D12,7	MOTEUR 0,75KW 230V D12,7 MOTOR 0,75KW 230V D12,7	MOTORE 0,75KW 230V D12,7	1
1170	65074172	KUPPLUNG D18/14,7/11X22 PUMPE/MOTOR KOPPELING D18/14,7/11X22 POMP/MOTOR	ACCOUPEMENT D18/14,7/11X22 POMPE/MOTEUR ACOPLAMIENTO D18/14,7/11X22 BOMBA/MOTOR	GIUNTO D18/14,7/11X22 POMPA/MOTORE	1
1175	13011938	OELPUMPE AT3 55 C 9550 2P 0500 POMP AT3 55 C 9550 2P 0500	POMPE FIOUL AT3 55 C 9550 2P 0500 BOMBA AT3 55 C 9550 2P 0500	POMPA AT3 55 C 9550 2P 0500	1
1180	13010470	SATZ DEKKELDICHTUNG+FILTER D20 SUN A SET DEKSELPAKKING+FILTER D20 SUN A	KIT JOINT COUVERCLE+FILTRE D20 SUN A KIT JUNTA CUBIERTA+FILTRO D20 SUN A	KIT GUARNIZ. COPERCHIO+FILTRO D20 SUN A	1
1185	13010006	SPULE SUN PUMPE AS-AP-AL-AT-A2L SPOEL SUN POMP AS-AP-AL-AT-A2L	BOBINE SUN PUMP AS-AP-AL-AT-A2L BOBINA SUN BOMBA AS-AP-AL-AT-A2L	BOBINA SUN POMPA AS-AP-AL-AT-A2L	1
1200	13004833	ÖLSCHLAUCH DN6 G3/8F G1/4M 90°L1500(2ST) OLIESLANG DN6 G3/8F G1/4M 90°L1500 (2ST)	FLEXIBLE DN6 G3/8F G1/4M 90° L1500(2PCS) LATIGUILLO DN6 G3/8F G1/4M 90°L1500(2PZ)	FLESSIBILE DN6 G3/8F G1/4M 90°L1500(2PZ)	1
1210	13018875	EINSCHRAUBSTUTZEN 1/8Z-D 6 DRAAIBARE AANSLUITING	RACCORD ORIENTABLE RACOR GIRATORIO	RACCORDO GIREVOLE	1
1220	13018872	MAGNETVENTIL SUN SL1V2807 G1/8 9W 230V MAGNEETKLEP SUN SL1V2807 G1/8* 9W 230V	ELECTROVANNE SUN SL1V2807 G1/8* 9W 230V ELECTROVALVU. SUN SL1V2807G1/8* 9W 230V	ELETTRORVALVOLA SUN SL1V2807G1/8 9W 230V	1
1221	13018853	SPULE RAPA M13 230V 50-60 Hz SPOEL RAPA M13 230V 50-60 Hz	BOBINE RAPA M13 230V 50-60 Hz BOBINA RAPA M13 230V 50-60 Hz	BOBINA RAPA M13 230V 50-60 Hz	1
1230	13018871	MAGNETVENTIL SUN SL1V2807G1/8 9W230V+UNI MAGNEETKLEP SUN SL1V2807 G1/8 9W 230V+UN	ELECTROVANNE SUN SL1V2807G1/8 9W230V+RAC ELECTROVALVULA SUN SL1V2807 G1/8 9W 230V	ELETTRORVALV. SUN SL1V2807G1/8 9W230V+RAC	1
1501	65300879	FEUERUNGSAUTOMAT TCH 311.00 BRANDERAUTOMAAT TCH 311.00	COFFRET TCH 311.00 PROGRAMADOR TCH 311.00	APPARECCHIATURA TCH 311.00	1
1503	13010519	KABEL MOTOR+STECKER 3P/RAST3P L300 KABEL MOTOR+STCK3P/RAST3P L300	CABLE MOTEUR+PRISE 3P/RAST3P L300 CABLE MOTOR+TOMA 3P/RAST3P L300	CAVO MOTORE+PRESA 3P/RAST3P L300	1
1504	65300619	KABEL ZÜNDTRAFO+STCK 2P/RAST2P L350 ONTSTEKINGSTRAFOKAB.+STEK.2P/RAST2P L350	CABLE ALLUMEUR+PRISE 2P/RAST2P L350 CABLE ENCENDEDOR+TOMA 2P/RAST2P L350	CAVO TRASFO ACCENS.+PRESA 2P/RAST2P L350	1
1505	13011090	KABEL ÖLVENTIL+STCK 3P/RAST3P L420V1 KABEL MAGNEETKLEP+STCK3P/RAST3P L420V1	CABLE EL.VANNE+PRISE 3P/RAST3P L420V1 CABLE EL.VALVULA+TOMA 3P/RAST3P L420V1	CAVO EL.VALVOLA+PRESA 3P/RAST3P L420V1	1
1506	65301115	KABEL ÖLVENTIL+STCK DIN/RAST3P L350V2 KABEL MAGNEETKLEP+STCKDIN/RAST3P L350V2	CABLE EL.VANNE+PRISE DIN/RAST3P L350V2 CABLE EL.VALVULA+TOMA DIN/RAST3P L350V2	CAVO EL.VALVOLA+PRESA DIN/RAST3P L350V2	1
1507	65300531	KABEL+STECKER WIE. 4P/RAST3P L250 KABEL+STEKKER WIE. 4P/RAST3P L250	CABLE+PRISE WIE. 4P/RAST3P L250 CABLE+TOMA WIE. 4P/RAST3P L250	CAVO+PRESA WIE. 4P/RAST 3P L250	1
1509	65301114	KABEL ÖLVENTIL+STCK 3P/RAST3P L475V3 KABEL MAGNEETKLEP+STCK3P/RAST3P L475V3	CABLE EL.VANNE+PRISE 3P/RAST3P L475V3 CABLE EL.VALVULA+TOMA 3P/RAST3P L475V3	CAVO EL.VALVOLA+PRESA 3P/RAST3P L475V3	1

		DE	FR	IT	
		NL	ES		
1510	65300524	HALTER ZU FEUERUNGSAUTOMAT + ANZEIGEEINH STEUN VAN DE AUTOMAAT + DISPLAY	SUPPORT COFFRET+AFFICHEUR SOPORTE DEL CAJETÍN+PANTALLA	SUPPORTO PROGRAMMATORE+VISUALIZ.	1
1525	65301109	ANZEIGE/FEUERUNGSAN.TCG-TCH R.2.2 + KABEL AANWIJS EN BEDIENENHEID TCG/TCH R.2.2	AFFICHEUR/COFFRET TCG-TCH REL. 2.2 PANTALLA P. PROGRAMADOR TCG-TCH REL.2.2	DISPLAY PER APPARECCHIA.TCG-TCH REL.2.2	1
1550	65301069	HILFSRELAIS/MOTOR C05+KABEL+STECKER HULPRELAIS BRANDERMOTOR C05+KABEL+STECK.	RELAIS AUX. / MOTEUR C05+CABLE+CONNECT. RELÉ AUXIL. /MOTOR C05+CABLE+CONNECT.	RELE AUSIL./MOTORE C05+CAVO+CONNETTORE	1
1730	65323142	RELAIS FIN 40.52 230V 2 CONT. RELAIS FIN 40.52 230V 2 CONT.	RELAIS FIN 40.52 230V 2 CONT. RELE FIN 40.52 230V 2 CONT.	RELE FIN 40.52 230V 2 CONT.	1
1735	65323152	SOCKEL/MINI RELAIS TYPE FIN 95.75 MONTAGEVOET/MINI RELAIS TYP FIN 95.75	SOCLE/MINI RELAIS TYPE FIN 95.75 ZÓCALO/MINI RELE TYPE FIN 95.75	ZOCOLO/MINI RELE TIPO FIN 95.75	1
1800	65114033	REGLER RWF 55.50A9 REGELAAR RWF 55.50A9	REGULATEUR RWF 55.50A9 REGULADOR RWF 55.50A9	REGOLATORE RWF 55.50A9	1
1920	65326516	FOTOZELLE QRB1A LG.570+RAST5 FOTOCEL QRB1A LG.570+RAST5	CELLULE QRB1A LG.570+RAST5 CELULA QRB1A LG.570+RAST5	FOTOCELLULA QRB 1A LG.570+RAST5	1
	65328029	FOTOZELLE FTEB 3 F L610 RAST5 FOTOCEL FTEB 3 F L610 RAST5	CELLULE FTEB 3 F L610 RAST5 CELULA FTEB 3 F L610 RAST5	FOTOCELLULA FTEB 3 F L610 RAST5	1
2010	13020813	ÖLSCHLAUCH DASH03 BANJO 3/8-G3/8F L1020 OLIESLANG DAS03 BANJO3/8-G3/8F JIC L1020	FLEXIBLE DASH03 BANJO3/8-G3/8F JIC L1020 LATIGUILLO DASH03 BANJO 3/8-G3/8F L1020	FLESSIBILE DASH03 BANJO 3/8-G3/8F L1020	1
	13022578	ÖLSCHLAUCH DASH03 BANJO 3/8-G3/8F L1220 OLIESLANG DAS03 BANJO3/8-G3/8F JIC L1220	FLEXIBLE DASH03 BANJO3/8-G3/8F JIC L1220 LATIGUILLO DASH03 BANJO 3/8-G3/8F L1220	FLESSIBILE DASH03 BANJO 3/8-G3/8F L1220	1
2015	65326875	KOPFDECKEL D164/153X25+GUIDE D5X56 KOPDEKSEL D164/153X25+GUIDE D5X56	COUVERCLE TETE D164/153X25+GUIDE D5X56 TAPA CABEZA D164/153X25+GUIA D5X56	COPERCHIO TESTA D164/153X25+GUIDA D5X56	1
2020	13017115	STAUSCHEIBE D114/60 6SL R STUWPLAAT D114/60 6SL R	DEFLECTEUR D114/60 6SL R DEFLECTOR D114/60 6SL R	DIFFUSORE D114/60 6SL R	1
2030	13007852	KNOPF D35/20X60 M8+NONIUS D12/8X48+CLIPS KNOP D35/20X60 M8+NONIUS D12/8X48+CLIPS	BOUTON D35/20X60+VERNIER D12/8X48+CLIPS BOTON D35/20X60 M8+VERN. D12/8X48+CLIPS	BOTTONE D35/20X60 M8+VERN.D12/8X48+CLIPS	1
2040	13007907	ZUENDELEKT.BLOCK 25X48d4D1,5X22 45°+SCHR ELECTRODEBLOK 25X48d4D1,5X22 45°+SCHROEF	BLOC-ELECTRODES 25X48 d4 D1,5X22 45°+VIS BLOQUE ELECT.25X48 d4D1,5X22 45°+TORNIL.	BLOCCO ELETTROD.25X48d4D1,5X22 45° +VITE	1
2050	13007807	SCHAUGLAS BLAU D14/D18 KIJKGLASS BLAU D14/D18	VOYANT DE FLAMME BLEU D14XD18 VISOR DE LLAMA AZUL D14/D18	VISORE DI FIAMMA BLU D14XD18	1
2070	13010004	ZÜNDKABEL D4/D4 L1050 AP ONTSTEKINGSKABEL D4/D4 L1050 AP	CABLE ALLUMAGE D4/D4 L1050 AP CABLE ENCENDIDO D4/D4 L1050 AP	CAVO ACCENSIONE D4/D4 L1050 AP	1
	13020808	ZÜNDKABEL D4/D4 L850 CARBON ONTSTEKINGSKABEL D4/D4 L850 CARBON	CABLE ALLUMAGE D4/D4 L850 CARBONE CABLE ENCENDIDO D4/D4 L850 CARBON	CAVO ACCENSIONE D4/D4 L850 CARBON	1
2100	65300800	BRENNKOPF ÖL L1020 D114+DÜSE 4,5+3,0GPH VLAMKOP OLIE L1020 D114 SPR.4,5+3GPH BG.	TETE COMB.FIOUL L1020 D114 GIC.4,5+3GPH CABEZA COMB.OLEO L1020 D114+BOQ.4,5+3GP	GR.TESTA OLIO L1020 D114 UG.4,5+3GPH CPL	1
	65300801	BRENNKOPF ÖL L1220 D114 +DÜSE 4,5+3,0GPH VLAMKOP OLIE L1220 D114 SPR.4,5+3GPH BG.	TETE COMB.FIOUL L1220 D114 GIC.4,5+3GPH CABEZA COMB.OLEO L1220 D114+BOQ.4,5+3GP	GR.TESTA OLIO L1220 D114 UG.4,5+3GPH CPL	1
	65300802	BRENNKOPF ÖL L1020 D114+DÜSE 4,0+2,5GPH VLAMKOP OLIE L1020 D114 SPR.4+2,5GPH BG.	TETE COMB.FIOUL L1020 D114+GIC.4+2,5GPH CABEZA COMB.OLEO L1020 D114+BOQ.4+2,5GP	GR.TESTA OLIO L1020 D114+UG.4+2,5GPH CPL	1
	65300803	BRENNKOPF ÖL L1220 D114 +DÜSE 4,0+2,5GPH VLAMKOP OLIE L1220 D114 SPR.4+2,5GPH BG.	TETE COMB.FIOUL L1220 D114 GIC.4+2,5GPH CABEZA COMB.OLEO L1220 D114+BOQ.4+2,5GP	GR.TESTA OLIO L1220 D114 UG.4+2,5GPH CPL	1
2110	65300804	SCHUBSTANGE D8-M8 L554 M6+HALT. 2XD17 STELSTANG D8-M8 L554 M6+STEUN 2XD17	TIGE REGLAGE D8-M8 L554 M6+SUP. 2XD17 VARILLA AJUSTE D8-M8 L554 M6+SOP.2XD17	ASTA REGOL. D8-M8 L554 M6+SUP. 2XD17	1
	65300805	SCHUBSTANGE D8-M8 L694 M6+HALT. 2XD17 STELSTANG D8-M8 L694 M6+STEUN 2XD17	TIGE REGLAGE D8-M8 L694 M6+SUP. 2XD17 VARILLA AJUSTE D8-M8 L694 M6+SOP.2XD17	ASTA REGOL. D8-M8 L694 M6+SUP. 2XD17	1
2140	65300806	BRENNERROHR D150/125 L278 BRANDERBUIJS D150/125 L278	TUBE DE FLAMME D150/125 L278 TUBO DE LLAMA D150/125 L278	BOCCAGLIO D150/125 L278	1
	65300807	BRENNERROHR D150/125/115 L417 BRANDERBUIJS D150/125/115 L417	TUBE DE FLAMME D150/125/115 L417 TUBO DE LLAMA D150/125/115 L417	BOCCAGLIO D150/125/115 L417	1
2150	13007803	DICHTUNG/BRENNERFLANSCH 244X244X8 D158 PAKKING GASVOORZETSTUK 244X244X8 D158	JOINT/BRIDE BRULEUR 244X244X8 D158 JUNTA/BRIDA QUEMADOR 244X244X8 D158	GUARNIZIONE/FLANGIA BRUC. 244X244X8 D158	1
2170	13007804	SCHRAUBEN-SET M6X1 LINKSGEWINDE/VPE 3STK M6-BEV.SCHROEF(LINKER)BRANDERBUIJS(X3)	VIS M6 (PAS GAUCHE)FIX.TUBE FLAMME(3PCS) TORNILLOS M6 (R.IZQ.)FJ.TUBO QUEMA.(X3)	VITE M6 (PASSO SX) FISS. BOCCAGLIO(3 PZ)	1
2175	65326206	BRENNKOPFFLANSCH D155 L247/VL4-NC46/61 H BEVESTIGINGKOP D155 L247/VL4-NC46/61 H	BRIDE FIXA.TETE D155 L247/VL4-NC46/61H BRIDA FIJA.CABEZA D155 L247/VL4-NC46/61H	FLANGIA FISSA.TESTA D155 L247/VL4-NC46 H	1
2410	65300512	DÜSENHALTER + MUTTER SPROEIERHOUDER + MOER	PORTE GICLEUR + EROU PORTA BOQUILLA + TUERCA	PORTA UG. + DADO	1
5001	13016090	DUESE DAN 2,50 GPH 60° S NOZZLE DAN 2,50 GPH 60° S	GICLEUR DAN 2,50 GPH 60° S BOQUILLA DAN 2,50 GPH 60° S	UGELLO DAN 2,50 GPH 60° S	1
	13016093	DUESE DAN 3,50 GPH 60° S NOZZLE DAN 3,50 GPH 60° S	GICLEUR DAN 3,50 GPH 60° S BOQUILLA DAN 3,50 GPH 60° S	UGELLO DAN 3,50 GPH 60° S	1
	13016094	DUESE DAN 3,00 GPH 60° S NOZZLE DAN 3,00 GPH 60° S	GICLEUR DAN 3,00 GPH 60° S BOQUILLA DAN 3,00 GPH 60° S	UGELLO DAN 3,00 GPH 60° S	1
	13018353	DUESE DAN 4,50 GPH 60° S NOZZLE DAN 4,50 GPH 60° S	GICLEUR DAN 4,50 GPH 60° S BOQUILLA DAN 4,50 GPH 60° S	UGELLO DAN 4,50 GPH 60° S	1
	13018354	DUESE DAN 5,00 GPH 60° S NOZZLE DAN 5,00 GPH 60° S	GICLEUR DAN 5,00 GPH 60° S BOQUILLA DAN 5,00 GPH 60° S	UGELLO DAN 5,00 GPH 60° S	1
	13018355	DUESE DAN 4,00 GPH 60° S NOZZLE DAN 4,00 GPH 60° S	GICLEUR DAN 4,00 GPH 60° S BOQUILLA DAN 4,00 GPH 60° S	UGELLO DAN 4,00 GPH 60° S	1

					
1005	65326874	ВОЗДУШНАЯ КАМЕРА NC46-61/VECTRON 4 HAVA KUTUSU NC46-61/VECTRON 4	CAIXA DE AR NC46-61/VECTRON 4	KOMORA POWIETRZA NC46-61/VECTRON 4	1
1010	65300808	ИЗОЛЯЦИЯ ВОЗДУШНОГО БЛОКА İZOLASYONU HAVA KUTUSU	ISOLAMENTO CAIXA DE ENTRADA DE AR	IZOLACJA OBUDOWA UKŁADU POWIETRZA	1
1015	65326235	КОРПУС 467X457X103 DRILL.D6 NC46/61/V4 KARTER 467X457X103 DRILL.D6 NC46/61/V4	CARCAÇA 467X457X103 PERF.D6 NC46/61/V4	OBUDOWA 467X457X103 DRILL.D6 NC46/61/V4	1
1020	13017364	ЗАСЛОН.РЕЦИРК ВОЗДУХА 119/114X60(ЧЕРНЫЙ) HAVA GERİ DÖNÜŞÜMÜ 119/114X60 78°(SİYAH)	RECICLAGEM DE AR 119/114X60 78° (PRETO)	RECYRKUL.POWIETR. 119/114X60 78°(CZARNY)	1
	65300809	ЗАСЛО.РЕЦ.ВОЗ. R115+СПОЙЛЕР 124X91 55° HAVA GERİ DÖN.R115+SPOILERI 124X91 55°	RECICLAGEM AR R115+SPOILER 124X91 55°	RECYRKULACJA POW.R115+SPOJLER 124X91 55°	1
1030	13009663	ТРАНСФО РОЗЖИГА ЕБИ 2X7,5 230V ATEŞLEME TRAFO. EBI 2X7,5 230V	TRANSFO IGNIÇÃO EBI 2X7,5 230V	TRANSFO ZAPŁONOWY EBI 2X7,5 230V	1
1040	13016845	МУФТА ПРОПУСКА ПРОВОДА/КАРТЕР KABLO KANALI/KARTER	PASSA-CABOS/CAIXA	PRZELOTKA PRZEWODU/OBUDOWA	1
1050	65300810	ВОЗДУШНАЯ ЗАСЛОНКА 209X96X81,5 CPL. HAVA KLAPEŞI 209X96X81,5 CPL.	FLAP DA AR 209X96X81,5 CPL.	PRZEPUSTNICA POW.209X96X81,5 CPL.	1
1060	65300527	СЕРВОДВИГАТ. STE 4,5 B0.37/6-R +КАБЕ. L600 SERVOMOTOR STE 4,5 B0.37/6-R KABLO L600	SERVOMOTOR STE 4,5 B0.37/6-R +CABO L600	SERWOMOTOR STE 4,5 B0.37/6-R +KABEL L600	1
1070	13011096	РАБОЧЕЕ КОЛЕСО D180X75 D12,7 TÜRBİN D180X75 D12,7	TURBINA D180X75 D12,7	WIMIK D180X75 D12,7	1
	65300811	РАБОЧЕЕ КОЛЕСО D190X82 D12,7 TÜRBİN D190X82 D12,7	TURBINA D190X82 D12,7	WIMIK D190X82 D12,7	1
1080	65300517	МУФТА ПРОПУСКА ПРОВОДА/ПЛАСТИНА KABLO KANALI/TABLA	PASSA-CABOS/PLACA	PRZELOTKA PRZEWODU/PLYTKA	1
1100	65300812	КОЖУХ СЕРЫЙ 458X462X276+ВИНТ/ V 4 KAPAĞI GRI 458X462X276+VIDASI/V 4	COBERTURA CINZA 458X462X276+PARAFUSO/V 4	OSŁONA SZARY 458X462X276+SRUBA/V 4	1
1111	65300519	ВИНТ С ПЛОСКОЙ ГОЛОВКОЙ M5X15 DÜZ BAŞLI VIDA M5X15	PARAFUSO CABEÇA PLANA M5X15	ŚRUBA Z ŁBEM NITOWYM PŁASKIM M5X15	1
1145	65301222	МОНТАЖ.ПАНЕЛЬ ДВИГА. VECTRON 4 / NC46-61 MOTOR MONTAJ PLAKASI VECTRON 4 / NC46-61	PLACA MONTAGEM MOTOR VECTRON 4 / NC46-61	PŁYTA MONTAŻ.SILNIKA VECTRON 4 / NC46-61	1
1150	13015715	КОНДЕНСАТОР 12µF 2P 3mm KONDENSATOR 12µF	CAPACITOR 12µF 2P 3mm	KONDENSATOR 12 µF	1
	65301177	КОНДЕНСАТОР 18µF 2P 6,4mm KONDENSATOR 18µF 2P 6,4mm	CAPACITOR 18µF 2P 6,4mm	KONDENSATOR 18µF 2P 6,4mm	1
	65301178	КОНДЕНСАТОР 16µF 2P 6,4mm KONDENSATOR 16µF 2P 6,4mm	CAPACITOR 16µF 2P 6,4mm	KONDENSATOR 16µF 2P 6,4mm	1
1160	65300813	ЭЛЕКТРОДВИГАТЕЛЬ 0,42KW 230V D12,7 MOTORU 0,42KW 230V D12,7	MOTOR 0,42KW 230V D12,7	SILNIK 0,42KW 230V D12,7	1
	65300814	ЭЛЕКТРОДВИГАТЕЛЬ 0,75KW 230V D12,7 MOTORU 0,75KW 230V D12,7	MOTOR 0,75KW 230V D12,7	SILNIK 0,75KW 230V D12,7	1
1170	65074172	СЦЕПЛЕНИЕ D18/14,7/11X22НАСОС/ЭЛЕКТРОДВ. KAPLIN D18/14,7/11X22 POMPA/MOTORU	ACOPLAMENTO D18/14,7/11X22 BOMBA/MOTOR	ŁĄCZNIK D18/14,7/11X22 POMPA /SILNIK	1
1175	13011938	НАСОС AT3 55 C 9550 2P 0500 POMPA AT3 55 C 9550 2P 0500	BOMBA AT3 55 C 9550 2P 0500	POMPA AT3 55 C 9550 2P 0500	1
1180	13010470	КОМПЛЕКТ ПРОКЛАД.КРЫШКА+ФИЛЬТР D20 SUN A KITI CONTASI KAPAK+FILTRE D20 SUN A	KIT GAXETA TAMPA+FILTRO D20 SUN A	ZESTAW USZCZELKA POKR.+FILTR D20 SUN A	1
1185	13010006	ОБМОТКА SUN НАСОС AS-AP-AL-AT-A2L BOBIN X POMPA SUN AS-AP-AL-AT-A2L	BOBINA SUN BOMBA AS-AP-AL-AT-A2L	CEWKA X POMPA SUN AS-AP-AL-AT-A2L	1
1200	13004833	ШЛАНГ DN6 G3/8F G1/4M 90° L1500 (2 PCS) ESNEK DN6 G3/8F G1/4M 90°L1500+RAK. (2PCS)	FLEXIVEL DN6 G3/8F G1/4M 90° L1500(2PCS)	PR.GIĘTKI DN6 G3/8F G1/4M 90°L1500(2PCS)	1
1210	13018875	ШТУЦЕР ПОВОРОТНЫЙ DÖNER RAKOR	CONEXÃO ORIENTÁVEL	ZŁĄCZE OBROTOWE	1
1220	13018872	ЭЛЕКТРОКЛАПАН SUN SL1V2807 G1/8* 9W 230V ELECTROVANA SUN SL1V2807 G1/8* 9W 230V	VÁLV. SOLEN. SUN SL1V2807 G1/8* 9W 230V	ELEKTROZAWOR SUN SL1V2807 G1/8* 9W 230V	1
1221	13018853	ОБМОТКА RAPA M13 230V 50-60 Hz BOBIN RAPA M13 230V 50-60 Hz	BOBINA RAPA M13 230V 50-60 Hz	CEWKA RAPA M13 230V 50-60 Hz	1
1230	13018871	ЭЛЕКТРОКЛ. SUN SL1V2807 G1/8 9W 230V+ШТУ. ELECTROVANA SUN SL1V2807 G1/8 9W 230V+RA	ELECTROVALV.SUN SL1V2807 G1/8 9W 230V+UN	ELEKTROZAW. SUN SL1V2807G1/8 9W230V+ZŁĄ.	1
1501	65300879	БЛОК УПРАВЛЕНИЯ TCH 311.00 KUTU TCH 311.00	UNIDADE DE CONTROLE TCH 311.00	MODUŁ TCH 311.00	1
1503	13010519	КАБЕЛЬ ЭЛЕКТРОДВИГАТЕЛЬ+P.3P/RAST3P L300 MOTORU KABLOSU+FIŞ 3P/RAST3P L300	CABO MOTOR+TOMADA 3P/RAST3P L300	PRZEWÓD SILNIK+WTYCZKA 3P/RAST3P L300	1
1504	65300619	КАБЕЛЬ ТРАНСФО РОЗЖИГА+ШТ.2P/RAST2P L350 KABLOSU ATEŞL. TRAFO.+FIŞ 2P/RAST2P L350	CABO TRANSFO IGNIÇÃO+TOM.2P/RAST2P L350	PRZEWÓD TRANSFO ZAPŁ.+WTY.2P/RAST2P L350	1
1505	13011090	КАБЕЛЬ ЭЛЕКТРОКЛАПАН+PL.3P/RAST3P L420V1 KABLOSU ELECTROVANA+PLUG3P/RAST3P L420V1	CABO EL.VALVULA+TOM. 3P/RAST3P L420V1	PRZEWÓD EL.ZAWOR+PLUG3P/RAST3P L420V1	1
1506	65301115	КАБЕЛЬ ЭЛЕКТРОКЛАПАН+P.DIN/RAST3P L350V2 KABLOSU ELECTROVANA+PL.DIN/RAST3P L350V2	CABO EL.VALVULA+TOM. DIN/RAST3P L350V2	PRZEWÓD EL.ZAWOR+PLUGDIN/RAST3P L350V2	1
1507	65300531	КАБЕЛЬ+ШТЕКЕР WIE. 4P/RAST3P L250 KABLOSU+FIŞ WIE. 4P/RAST3P L250	CABO+TOMADA WIE. 4P/RAST3P L250	PRZEWÓD+WTYCZKA WIE. 4P/RAST3P L250	1
1509	65301114	КАБЕЛЬ ЭЛЕКТРОКЛАПАН+PL.3P/RAST3P L475V3 KABLOSU ELECTROVANA+PLUG3P/RAST3P L475V3	CABO EL.VALVULA+TOM. 3P/RAST3P L475V3	PRZEWÓD EL.ZAWOR+PLUG3P/RAST3P L475V3	1

		<table border="1"><tr><td><b>RU</b></td></tr><tr><td><b>TR</b></td></tr></table>	<b>RU</b>	<b>TR</b>	<table border="1"><tr><td><b>PT</b></td></tr><tr><td></td></tr></table>	<b>PT</b>		<table border="1"><tr><td><b>PL</b></td></tr><tr><td></td></tr></table>	<b>PL</b>		
<b>RU</b>											
<b>TR</b>											
<b>PT</b>											
<b>PL</b>											
1510	65300524	ОПОРА БЛОКА УПРАВЛЕНИЯ+ДИСПЛЕЙ KUTU DESTEĞİ+EKRAN	SUPOORTE UNIDADE DE CONTROLE+VISOR	WSPORNIK MODUŁU+WYŚWIETLACZ	1						
1525	65301109	ДИСПЛЕЙ БЛОК УПРАВЛЕНИЯ TCG-TCH REL. 2.2 EKРАН İÇİN KUTU TCG-TCH R2.2 + KABLOSU	DISPLAY/PROGRAMADOR TCG-TCH RELEASE 2.2	WYŚWIETLACZ/MODUŁ TCG-TCH R2.2 + PRZEWÓD	1						
1550	65301069	РЕЛЕ/МОТОР C05+КАБЕЛИ+СОЕДИН. MOTOR C05 YEDEK ROELESİ+KABLOL+CONNECT.	RELÉ AUX./MOTOR C05+CABOS+CONNECT.	DODATKOWY PRZEKAŹNIK SILNIKA C05+PRZ+CON	1						
1730	65323142	РЕЛЕ FIN 40.52 230V 2 CONT. RÖLE FIN 40.52 230V 2 CONT.	RELE FIN 40.52 230V 2 CONT.	PRZEKAŹ.FIN 40.52 230V 2 CONT.	1						
1735	65323152	БАЗА/MINI РЕЛЕ TYPE FIN 95.75 EKLENTİ TABANI/MINI RÖLE TYPE FIN 95.75	BASE/MINI RELE TYPE FIN 95.75	PODSTAWA WTYKOWA/MINI PRZEKAŹN. FIN95.75	1						
1800	65114033	РЕГУЛИРОВАНИЕ RWF 55.50A9 REGÜLATÖRÜ RWF 55.50A9	REGULADOR RWF 55.50A9	REGULATORA RWF 55.50A9	1						
1920	65326516	ФОТОРЕЗИСТОР QRB1A LG.570+RAST5 HÜCRE QRB1A LG.570+RAST5	CELULA QRB1A LG.570+RAST5	FOTOKOMÓRKA QRB1A LG.570+RAST5	1						
	65328029	ФОТОРЕЗИСТОР FTEB 3 F L610 RAST5 HÜCRE FTEB 3 F L610 RAST5	CELULA FTEB 3 F L610 RAST5	FOTOKOMÓRKA FTEB 3 F L610 RAST5	1						
2010	13020813	ШЛАНГ DASH03 BANJO 3/8-G3/8F JIC L1020 ESNEK DASH03 BANJO 3/8-G3/8F JIC L1020	FLEXIVEL DASH03 BANJO3/8-G3/8F JIC L1020	PRZ.GIĘTKI DASH03 BANJO 3/8-G3/8F L1020	1						
	13022578	ШЛАНГ DASH03 BANJO 3/8-G3/8F JIC L1220 ESNEK DASH03 BANJO 3/8-G3/8F JIC L1220	FLEXIVEL DASH03 BANJO3/8-G3/8F JIC L1220	PRZ.GIĘTKI DASH03 BANJO 3/8-G3/8F L1220	1						
2015	65326875	КРЫШКА ГОЛОВКА D164/153X25+GUIDE D5X56 KAPAK KAFA D164/153X25+GUIDE D5X56	TAMPA CABEÇA D164/153X25+GUIAR D5X56	POKRYWA GŁOWICA D164/153X25+GUIDE D5X56	1						
2020	13017115	ДЕФЛЕКТОР D114/60 6SL R DEFLEKTOR D114/60 6SL R	DEFLECTOR D114/60 6SL R	DEFLEKTOR D114/60 6SL R	1						
2030	13007852	КНОПКА D35/20X60 M8+ВЕРНЬ.D12/8X48+CLIPS BOTUNU D35/20X60 M8+ON.GOS.D12/8X48+CLIP	BOTÃO D35/20X60 M8+VERNÖN.D12/8X48+CLIPS	PRZYCISK D35/20X60 M8+NON.D12/8X48+CLIPS	1						
2040	13007907	БЛОК ЭЛЕКТРОДОВ 25X48 d4D1,5X22 45°+ВИНТ ELEKT.BLOĞU 25X48 D4D1,5X22 45° + VIDASI	BLOCO ELETRODO 25X48 d4D1,5X22 45°+PARAF	BLOK ELEKTROD 25X48 D4D1,5X22 45° +ŚRUBA	1						
2050	13007807	СМОТРОВОЕ ОКНО D14/D18 ROGAR CAMI D14/D18	VIGIA D14/D18	SZKŁO PODGLĄDU D14/D18	1						
2070	13010004	КАБЕЛЬ РОЗЖИГАД4/D4 L1050 AP ATEŞLEME KABLOSU D4/D4 L1050 AP	CABO ENCENDIDO D4/D4 L1050 AP	PRZEWÓD ALU. D4/D4 L1050 AP	1						
	13020808	КАБЕЛЬ РОЗЖИГАД4/D4 L850 CARBON ATEŞLEME KABLOSU D4/D4 L850 CARBON	CABO ENCENDIDO D4/D4 L850 CARBON	PRZEWÓD ALU. D4/D4 L850 CARBON	1						
2100	65300800	ГОЛОВ.СГОР.ТОП.L1020 D114ФОРС. 4,5+3GPH YANMA BAŞ.YAĞ L1020 D114 PÜ.MEMESİ 4,5+3	CABEÇA COMB.OLEO L1020 D114+BOQ.4,5+3GPH	GŁOWICA SP.OLEJ L1020 D114 DYS.4,5+3GPH	1						
	65300801	ГОЛОВ.СГОР.ТОП.L1220 D114 ФОРС.4,5+3GPH YANMA BAŞ.YAĞ L1220 D114 PÜ.MEMESİ 4,5+3	CABEÇA COMB.OLEO L1220 D114+BOQ.4,5+3GPH	GŁOWICA SP.OLEJ L1220 D114 DYS.4,5+3GPH	1						
	65300802	ГОЛОВ.СГОР.ТОП.L1020 D114ФОРС. 4+2,5GPH YANMA BAŞ.YAĞ L1020 D114 PÜ.MEMESİ 4+2,5	CABEÇA COMB.OLEO L1020 D114+BOQ.4+2,5GPH	GŁOWICA SP.OLEJ L1020 D114 DYS.4+2,5GPH	1						
	65300803	ГОЛОВ.СГОР.ТОП.L1220 D114 ФОРС.4+2,5GPH YANMA BAŞ.YAĞ L1220 D114 PÜ.MEMESİ 4+2,5	CABEÇA COMB.OLEO L1220 D114+BOQ.4+2,5GPH	GŁOWICA SP.OLEJ L1220 D114 DYS.4+2,5GPH	1						
2110	65300804	РЕГУЛИ.СТЕРЖЕНЬ D8-M8 L554 M6+ДЕРЖ.2XD17 AYAR ÇUBUĞU D8-M8 L554 M6+DEST.2XD17	HASTE AJUSTE D8-M8 L554 M6+SUP.2XD17	TRZPIEŃ REGUL.D8-M8 L554 M6+WSPOR.2XD17	1						
	65300805	РЕГУЛИ.СТЕРЖЕНЬ D8-M8 L694 M6+ДЕРЖ.2XD17 AYAR ÇUBUĞU D8-M8 L694 M6+DEST.2XD17	HASTE AJUSTE D8-M8 L694 M6+SUP.2XD17	TRZPIEŃ REGUL.D8-M8 L694 M6+WSPOR.2XD17	1						
2140	65300806	СОПЛО ГОРЕЛКИ D150/125 L278 BRÜLÖR BORUSU D150/125 L278	TUBO DO QUEIMADOR D150/125 L278	RURA PALNIKA D150/125 L278	1						
	65300807	СОПЛО ГОРЕЛКИ D150/125/115 L417 BRÜLÖR BORUSU D150/125/115 L417	TUBO DO QUEIMADOR D150/125/115 L417	RURA PALNIKA D150/125/115 L417	1						
2150	13007803	ПРОКЛАДКА/ФЛАНЕЦ ГОРЕЛКИ 244X244X8 D158 CONTASI/BRULOR FLANŞI 244X244X8 D158	GAXETA/FLANGE QUEIMADOR 244X244X8 D158	USZCZELKA/KOŁNIERZ PAL.244X244X8 D158	1						
2170	13007804	ВИНТ M6 (ЛЕВ РЕЗЬБ) КРЕПЛ. ТРУБ ГОРЕЛКИ BRÜLÖR TÜPÜ M6 TESPİT VIDASI(SOLA DONUŞ)	PARAFUSO M6 (PASSO ESQ.) TUBO QUEIMADOR	ŚRUBA M6 (LEWOSKRĘTNA) MOC. RURĘ PALNIKA	1						
2175	65326206	ФИКСА.ГОЛОВКА ФЛАНЦА D155 L247/VL4-NC61H FLANŞ SAB.BAŞLIĞI D155 L247/VL4-NC46/61H	FLANGE FIX.CABEÇA D155 L247/VL4-NC61H	KOŁNIERZ UST.GŁOWICA D155 L247/VL4-NC61H	1						
2410	65300512	ФОРСУНКА ДЕРЖАТЕЛЬ + ГАЙКА PÜSKÜRTME MEMESİ TAŞIYICIS + SOMUN	PORTA BOQUILLA + PORCA	OBUDOWA DYSZA + NAKRĘTKA	1						
5001	13016090	ФОРСУНКА DAN 2,50 GPH 60° S PÜSK. MEMESİ DAN 2,50 GPH 60° S	BOQUILLA DAN 2,50 GPH 60° S	DYSZA DAN 2,50 GPH 60° S	1						
	13016093	ФОРСУНКА DAN 3,50 GPH 60° S PÜSK. MEMESİ DAN 3,50 GPH 60° S	BOQUILLA DAN 3,50 GPH 60° S	DYSZA DAN 3,50 GPH 60° S	1						
	13016094	ФОРСУНКА DAN 3,00 GPH 60° S PÜSK. MEMESİ DAN 3,00 GPH 60° S	BOQUILLA DAN 3,00 GPH 60° S	DYSZA DAN 3,00 GPH 60° S	1						
	13018353	ФОРСУНКА DAN 4,50 GPH 60° S PÜSK. MEMESİ DAN 4,50 GPH 60° S	BOQUILLA DAN 4,50 GPH 60° S	DYSZA DAN 4,50 GPH 60° S	1						
	13018354	ФОРСУНКА DAN 5,00 GPH 60° S PÜSK. MEMESİ DAN 5,00 GPH 60° S	BOQUILLA DAN 5,00 GPH 60° S	DYSZA DAN 5,00 GPH 60° S	1						
	13018355	ФОРСУНКА DAN 4,00 GPH 60° S PÜSK. MEMESİ DAN 4,00 GPH 60° S	BOQUILLA DAN 4,00 GPH 60° S	DYSZA DAN 4,00 GPH 60° S	1						





