

SPARE PARTS EXPLODED VIEW OIL BURNER

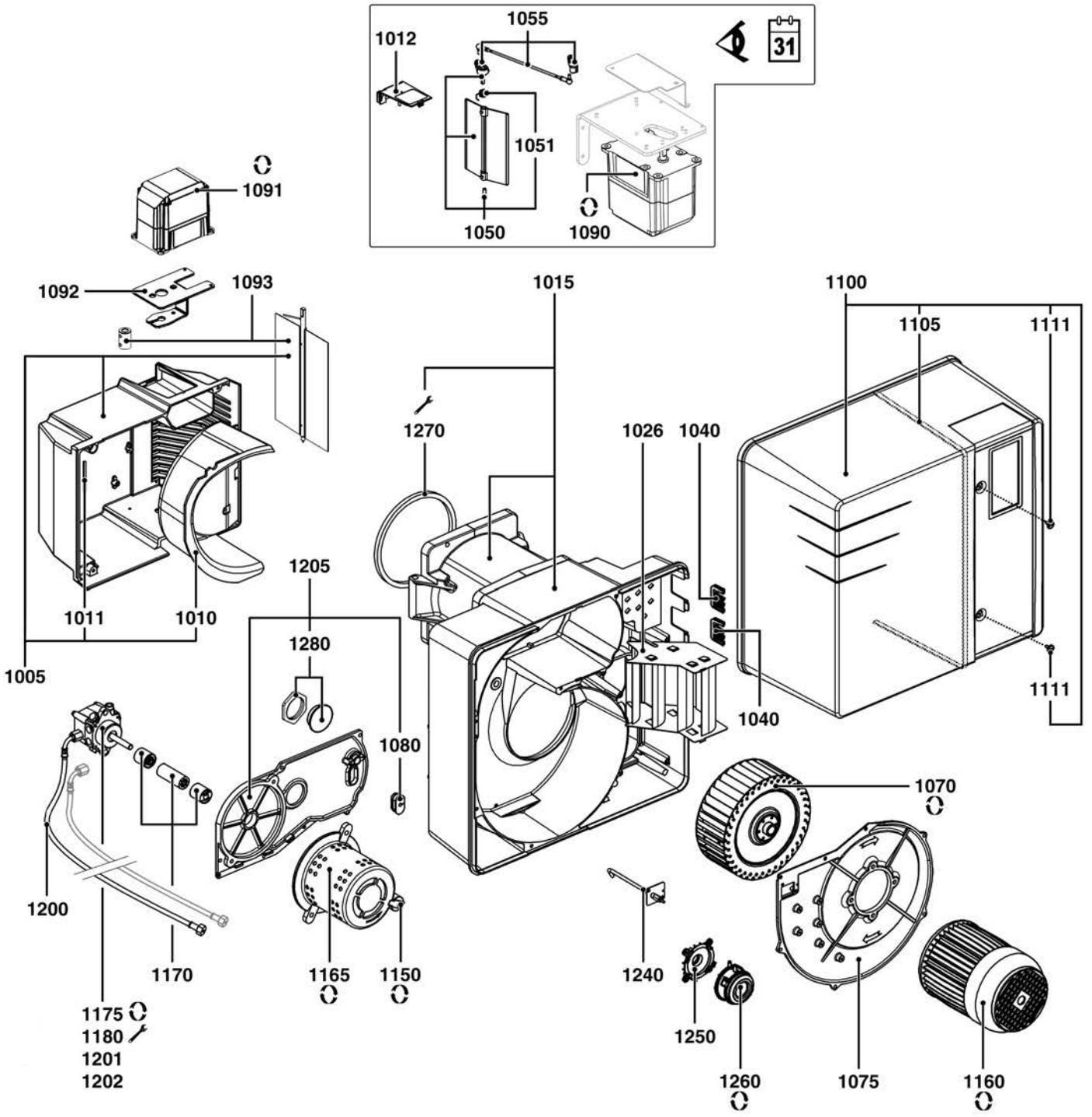
Model

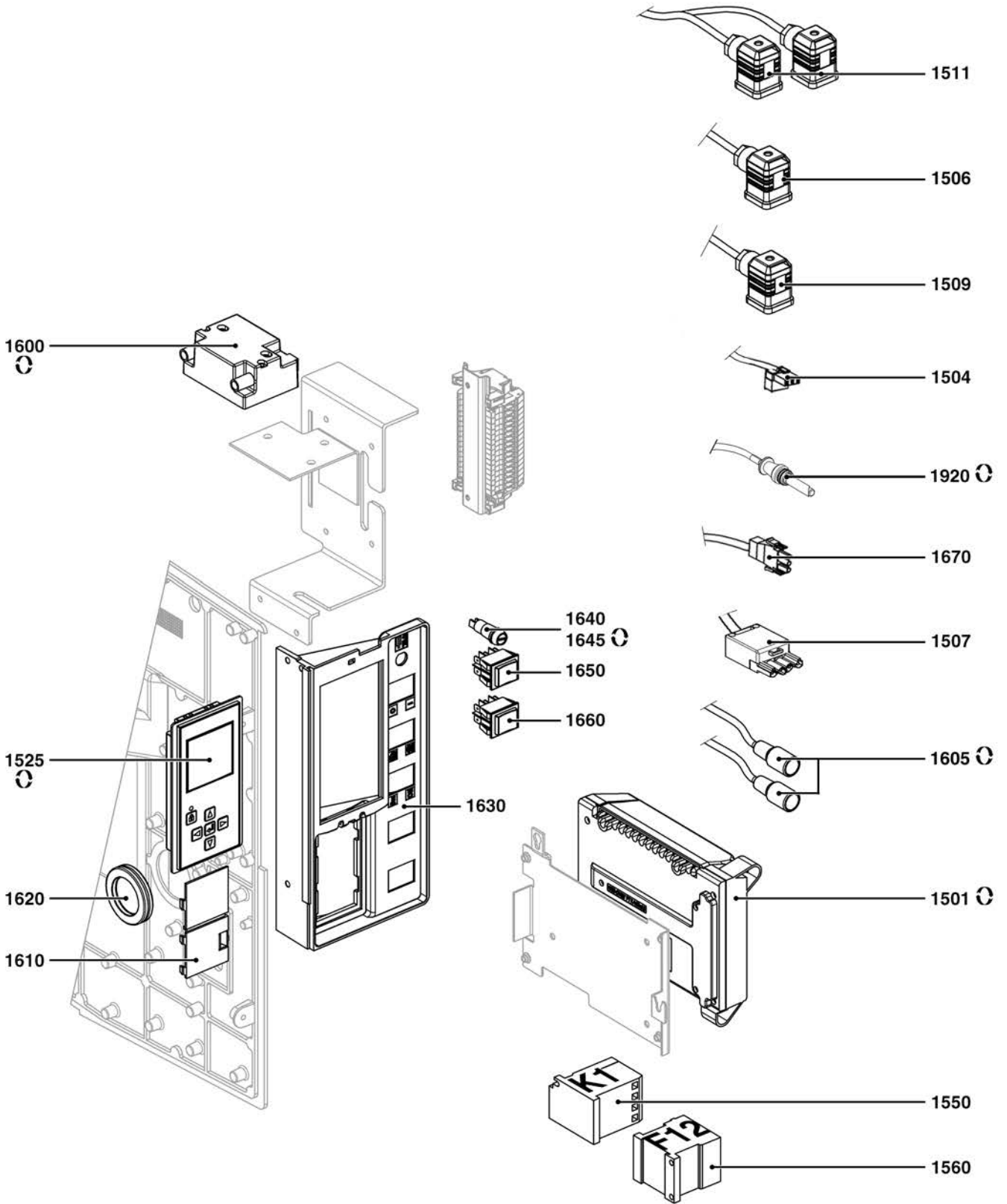
CB-VL6DP (50/60HZ)

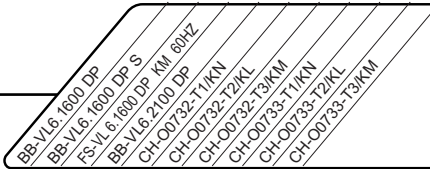

R8220112-04 - 21/11/2019

1	3833605	BB-VL6.1600 DP	09-2011	-
2	3836893	BB-VL6.1600 DP S	05-2019	-
3	3834648	FS-VL 6.1600 DP KM 60HZ	06-2014	-
4	3833606	BB-VL6.2100 DP	09-2011	-
5	3833556	CH-O0732-T1/KN	03-2012	-
6	3833558	CH-O0732-T2/KL	05-2011	-
7	3833560	CH-O0732-T3/KM	05-2011	-
8	3833557	CH-O0733-T1/KN	09-2011	-
9	3833559	CH-O0733-T2/KL	04-2012	-
10	3833561	CH-O0733-T3/KM	04-2012	-

Col	Reference	Model type	Begin	End
-----	-----------	------------	-------	-----

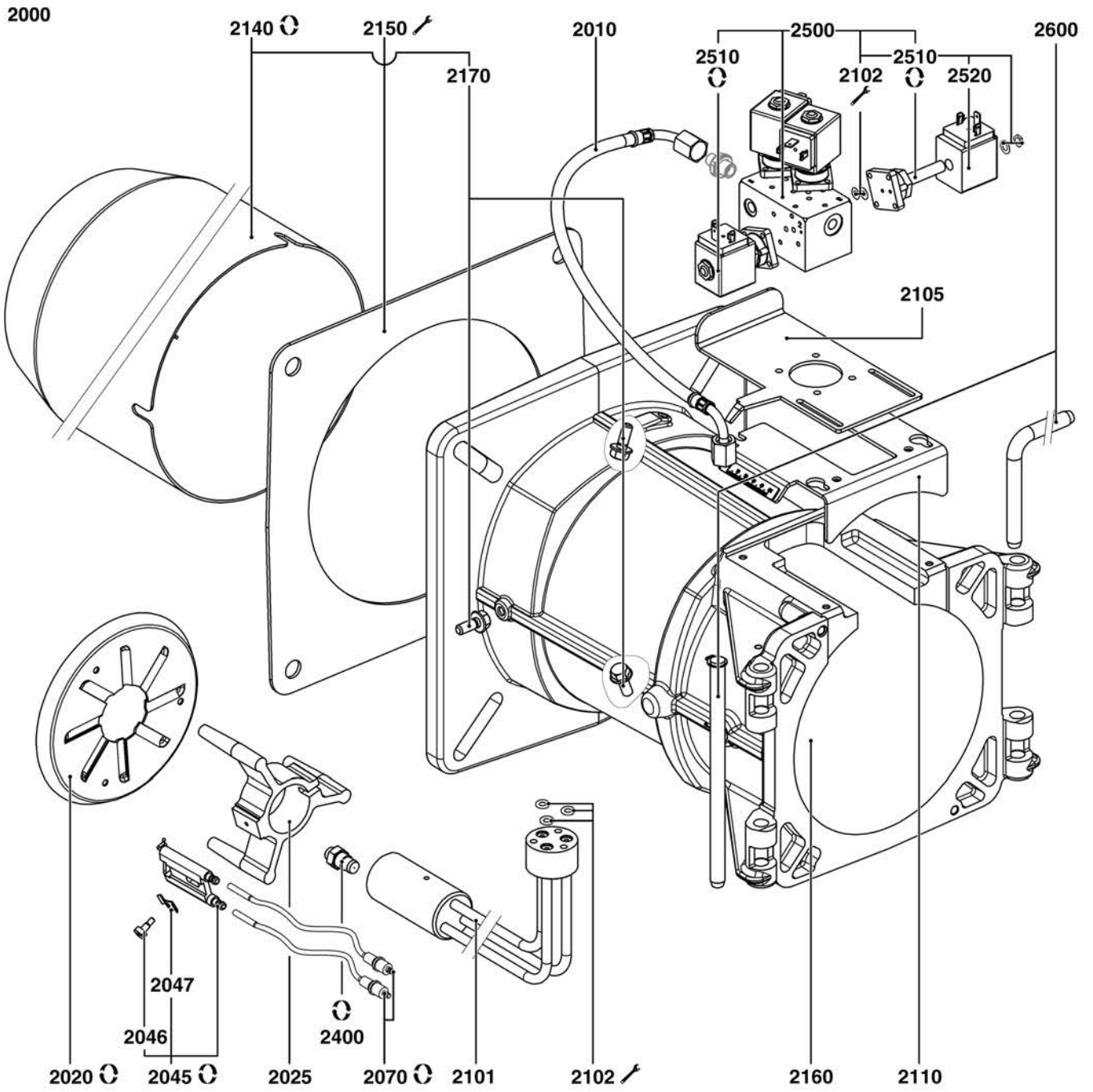




☉⇒	Description	Manf. Pt. N	Type																		
				1	2	3	4	5	6	7	8	9	10	11	12	13	14	15	16	17	18
1500	ELECTRIC PART																				
1501	CONTROL UNIT TCH 311.00	65300879		●	●	●	●														
1504	CABLE IGNIT.TRANSFO+PLUG 3P/RAST 3P L740	65300997		●	●	●	●														
1506	CABLE SOL.VALVE+PLUG DIN/RAST3P L1750V2	65300995		●	●	●	●														
1507	CABLE MOTOR+PLUG WIE. 4P 4X1,5 L560	65301000		●	●	●	●														
1509	CABLE SOL.VALVE+PLUG DIN/RAST3P L1800V3	65300996		●	●	●	●														
1511	CABLE SOL.VALVE+2XP.DIN/RAST3PL1800VS+V1	65300994		●	●	●	●														
1525	DISPLAY/CONTROL UNIT TCG-TCH REL.2.2	65301109		●	●	●	●														
1550	CONTACTOR SCH T.LC1-K0910M7	13009778		●	●	●	●														
1560	THERMIC RELAY SCH LR2K 5,5-8,0A	13009746		●	●	●	●														
1600	IGNITION TRANSFO. EBI 2X7,5 230V	13009663		●	●	●	●														
1605	IGNITION CABLE D6,35/D4 L750X2 BODY	13009743		●	●	●	●														
1610	SHUTTER/CONSOLE	13009661		●	●	●	●														
1620	CABLE GROMMET D54/D47/D36	65300993		●	●	●	●														
1630	CONTROL BOARD	65300992		●	●	●	●														
1640	FUSE HOLDER + FUSE 6.3A	13016457		●	●	●	●														
1645	FUSE 5X20 FST 6,3A 250V	13016028		●	●	●	●														
1650	LIGHTENING SWITCH ON/OFF	13010007		●	●	●	●														
1660	OPERATING SWITCH - OPERATION	13014009		●	●	●	●														
1670	CABLE GMP+PLUG 3P/RAST 3P L920	65300999		●	●	●	●														
1920	PHOTOCELL FTB 3 F L610 RAST5	65328029		●	●	●	●													09/19	
	PHOTOCELL QRB1A LG.570+RAST5	65326516		●	●	●	●														08/19

CB-VL6DP (50/60HZ)

Oil burner



5000



		DE NL	FR ES	IT	X
1005	65326951	LUFTKASTEN 318X414X167+MET.-LUFTKL.+DECK LUCHTKAST 318X414X167+METAL LUCHTKL.+DEK	BOITE AIR 318X414X167+VOL.AIR MET.+COUV. CAJA AIRE 318X414X167+VALV.AIR.MET.+TAPA	CASSA ARIA 318X414X167+SERR.AR.META.+COP	1
1010	13009641	ISOLIERUNG-LUFTKASTEN ISOLATIE LUCHTKAST	ISOLATION BOITE A AIR AISLAMIENTO CAJA DE AIRE	ISOLAMENTO SCATOLA DELL'ARIA	1
1011	13009640	DICHTUNG/LUFTKASTE 109X6X7 PROFIL PAKKING/LUCHTKAST 109X6X7 GEPROFILEERD	JOINT/BOITE A AIR 109X6X7 PROFILE JUNTA/CAJA DE AIRE 109X6X7 PERFILADA	GUARNIZIONE/CASSA ARIA 109X6X7 PROFILATO	1
1012	13009642	DECKEL 80X143X47/LUFTANSAUGKASTEN DEKSEL 80X143X47/LUCHTKAST	COUVERCLE 80X143X47/BOITE AIR TAPA 80X143X47/CAJA AIRE	COPERCHIO 80X143X47/CASSA ARIA	1
1015	13022784	GEHÄUSE 565X522X162+FLANSCH D200 C210/V6 BRANDERHUIS 565X522X162+FLENS D200 V6	CARTER 565X522X162+BRIDE D200 NC210/V6 CÁRTER 565X522X162+BRIDA D200 NC210/V6	FUSIONE 565X522X162+FLANGIA D200 C210/V6	1
1026	13009748	LUFTLEITSCHAUFEL 148/162 4SCH. LUCHTRECICLAGE 148/162 4BL.	REDRESSEUR D'AIR 148/162 4AIL. RECTIFICADOR DE AIRE 148/162 4AL.	RADDRIZZATORE D'ARIA 148/162 4PAL.	1
1040	13016845	KABELDURCHFÜHRUNG / GEHÄUSE KABELDOORVOERING	PASSE FIL/CARTER PASACABLES/CÁRTER	PASSAFILEO/ CARTER	1
1050	13014117	LUFTKLAPPE 232X154+FEDER+HEBEL LUCHTKLEP 232X154+VEER+EFBOOM	VOLET AIR 232X154+RESSORT+LEVIER VALVULA AIRE 232X154+MUELE+PALANCA	SERRANDA ARIA 232X154+MOLLA+LEVA	1
1051	13011507	FEDER ROT LUFTKLAPPE VEER/LUCHTKLEP ROOD	RESSORT SPIRALE ROUGE/VOLET AIR MUELLE/VÁLVULA DE AIRE ROJO	MOLLA/SERRANDA ARIA ROSSO	1
1055	65301070	VERBINDUNG LUFTKLAPPE-STELLANTRIEB COMPLETE KOPPELING	ACCOUPLLEMENT EQUIPE ACOPLAMIENTO EQUIPADO	ACCOPPIAMENTO EQUIPAGGIATO	1
1070	13009649	VENTILATORRAD D240X82 D19 VENTILATORWIEL D240X82 D19	TURBINE D240X82 D19 TURBINA D240X82 D19	VENTOLA D240X82 D19	1
	13009736	VENTILATORRAD D240X114 D24 VENTILATORRAD D240X114 d24	TURBINE D240X114 d24 TURBINA D240X114 d24	VENTOLA D240X114 d24	1
	13009737	VENTILATORRAD D250X114 D24 VENTILATORRAD D250X114 d24	TURBINE D250X114 d24 TURBINA D250X114 d24	VENTOLA D250X114 d24	1
1075	13018809	MOTORPLATTE VENTILATORRAD/V5-6/NC95-210 MOTOR MONTAGEPL. VENTILAT./V5-6/NC95-210	FLASQUE SUPP. MOTEUR TURB./V5-6/NC95-210 PLACA MONTAJE MOTOR TURB./V5-6/NC95-210	PIASTR.MONT.MOTORE VENTOLA/V5-6/NC95-210	1
1080	13009648	TUELLE-KABELDURCHFUEHRUNG-VERPACKT DRAADGELEIDER	PASSE FIL PASACABLES	PASSA FILO	1
1090	65301001	STELLANTRIEB STE4,5 Q3.51/6R 3NM+KA.L500 REGELMOTOR STE4,5 Q3.51/6R 3NM+KAB.L500	SERVOMOTEUR STE4,5 Q3.51/6R 3NM+CAB.L500 SERVOMOTOR STE 4,5 Q3.51/6 R 3NM	SERVOMOTORE STE4,5 Q3.51/6R 3NM+CAV.L500	1
1091	65326804	STELLANTR. STE 4,5 Q3.51/6L 3NM+KAB.L1000 REGELMOTOR STE4,5 Q3.51/6L 3NM+KAB.L1000	SERVOMOT.STE 4,5 Q3.51/6 L 3NM+CAB.L1000 SERVOMOTOR STE 4,5 Q3.51/6 L 3NM	SERVOMOT.STE 4,5 Q3.51/6 L 3NM+CAV.L1000	1
1092	65326226	STELLANTRIEBHALTER STEUN REGELMOTOR	SUPPORT SERVOMOTEUR SOPORTE SERVOMOTOR	SUPPORTO SERVOMOTORE	1
1093	65326227	LUFTKLAPPE 234/228X154+KUPPLUNG LUCHTKLEP 234/228X154+KOPPELING	VOLET AIR 234/228X154+ACCOUPLLEMENT VALVULA AIRE 234/228X154+ACOPLAMIENTO	SERRANDA ARIA 234/228X154+GIUNTO	1
1100	65301016	BRENNERHAUBE GRAU 590X547X476/V 5-6 BRANDERKAP GRAU 590X547X476+SCHROEF/V5-6	CAPOT GRIS 590X547X476+VIS/V 5-6 CUBIERTA GRIS 590X547X476+TORNILLO/V 5-6	COFANO GRIGIO 590X547X476+VITE/V 5-6	1
1105	13009772	DICHTUNG/HAUBE 10X3 L1000 PAKKING/BRANDERKAP 10X3 L1000	JOINT/CAPOT 10X3 L1000 JUNTA/CUBIERTA 10X3 L1000	GUARNIZIONE/COFANO 10X3 L1000	1
1111	65300519	FLACHKOPF-SCHRAUBE M5X15+SPITZE PLATKOPPSCHROEF M5X15	VIS A TETE PLATE M5X15 TORNILLO DE CABEZA PLANA M5X15	VITE A TESTA PIANA M5X15	1
1150	13015715	KONDENSATOR 12µF 2P 3mm CONDENSATOR 12µF 2P 3mm	CONDENSATEUR 12µF 2P 3mm CONDENSADOR 12µF 2P 3mm	CONDENSATORE 12µF 2P 3mm	1
	65326967	KONDENSATOR 22µF 2P 3MM CONDENSATOR 22µF 2P 3MM	CONDENSATEUR 22µF 2P 3MM CONDENSADOR 22µF 2P 3MM	CONDENSATORE 22µF 2P 3MM	1
1160	13009654	MOTOR 1,5KW 230/400V D19+STECKER MOTOR 1,5KW 230/400V D19+STEEKER	MOTEUR 1,5KW 230/400V D19+PRISE MOTOR 1,5KW 230/400V D19+TOMA	MOTORE 1,5KW 230/400V D19+PRESA	1
	13009739	MOTOR 2,2KW 230/400V D24+STECKER MOTOR 2,2KW 230/400V D24+STEEKER	MOTEUR 2,2KW 230/400V D24+PRISE MOTOR 2,2KW 230/400V D24+TOMA	MOTORE 2,2KW 230/400V D24+PRESA	1
	13009740	MOTOR 2,5 KW 230/400V D24+STECKER MOTOR 2,5KW 230/400V D24+STEEKER	MOTEUR 2,5KW 230/400V D24+PRISE MOTOR 2,5KW 230/400V D24+TOMA	MOTORE 2,5KW 230/400V D24+PRESA	1
1165	13009807	MOTOR 0,45KW 230V 50H D12,7 GMP MOTOR 0,45KW 230V 50H D12,7 GMP	MOTEUR 0,45KW 230V 50H D12,7 GMP MOTOR 0,45KW 230V 50H D12,7 GMP	MOTORE 0,45KW 230V 50H D12,7 GMP	1
	65328156	MOTOR 0,45KW 230V 60H D12,7 GMP MOTOR 0,45KW 230V 60H D12,7 GMP	MOTEUR 0,45KW 230V 60H D12,7 GMP MOTOR 0,45KW 230V 60H D12,7 GMP	MOTORE 0,45KW 230V 60H D12,7 GMP	1
1170	13009806	KUPPLUNG PUMPE/MOTOR H-B KOPPELING POMP/MOTOR H-B VG/L6	ACCOUPLLEMENT POMPE/MOTEUR H-B ACOPLAMIENTO BOMBA/MOTOR H-B	ACCOPPIAMENTO POMPA/MOTORE H-B	1
1175	13009802	ÖLPUMPE AJ6 CC 1004 OLIEPOMP AJ 6 CC 1004	POMPE FIOUL AJ6 CC 1004 BOMBA FUEL AJ6 CC 1004	POMPA GASOLIO AJ6 CC 1004	1
1180	13014194	OELFILTER 150µ / PUMPE AJ6 OLIEFILTER 150µ / POMP AJ6	FILTRE FIOUL 150µ / POMPE AJ6 FILTRO OIL 150µ / BOMBA AJ6	FILTRO OLIO 150µ / POMPA AJ6	1
1200	13009815	ÖLSCHLAUCH DN8 G1/2M M16X38 90° L1500 OLIESLANG DN8 G1/2M M16X38 90° L1500	FLEXIBLE DN8 G1/2M M16X38 90° L1500 LATIGUILLLO DN8 G1/2M M16X38 90° L1500	FLESSIBILE DN8 G1/2M M16X38 90° L1500	1
1201	13014419	DOPPELNIPPEL G1/4Z M16X1,5 NIPPEL OLIESLANG G1/4" M16 x 1,5	RACCORD/FLEXIBLE G1/4/M16X1,5 EMPALME/MANGUERA G1/4/M16X1,5	RACCORDO/TUBO FLESSIBILE G1/4/M16X1,5	1
1202	13014676	DOPPELNIPPEL G1/4Z M14X1,5 NIPPEL OLIESLANG G1/8" M14 x 1,5	RACCORD/FLEXIBLE G1/8/M14X1,5 EMPALME/MANGUERA G1/8/M14X1,5	RACCORDO/TUBO FLESSIBILE G1/8/M14X1,5	1
1205	13014118	DECKEL BG+SCHAUGLAS DEKSEL VLAMINDICATOR VOLL.	COUVERCLE VOYANT FLAMME EQU. TAPA TESTIGO DE LLAMA EQ.	COPERCHIO INDICATORE DI FIAMMA EQU.	1

		DE	FR	IT	
		NL	ES		
1240	13009738	LUFTDRUCKKNIPPEL DURCHFLUSS-DUESE D0,7 L1 LUCHTDRUKAANSLUITING MONDSTUK D0,7 L145	PRISE PRESSION AIR AJUTAGE D0,7 L145 TOMA PRESION AIRE TOBERA D0,7 L145	PRESA PRESSIONE ARIA BOCCELLO D0,7 L145	1
1250	13020723	HALTER D32 LUFTDRUCKWAECHTER HUB LUCHTDRUKSCHAKELAAR STEUN D32	SUPPORT MANOSTAT AIR D32 SOPORTE DEL MANOSTATO DE AIRE D32	SUPPORTO PRESSOSTATO DELL'ARIA D32	1
1260	65300991	LUFTDRUCKWAECHTER HUBA 604 1-10MBAR LUCHTDRUKBEWAKER HUBA 604 1-10MBAR	MANOSTAT HUBA 604 1-10MBAR PRESSOSTATO AIRE HUBA 604 1-10MBAR	MANOSTATO HUBA 604 1-10MBAR	1
1270	13010055	DICHTUNG/GEHAUSE-KOPF D218X8/5X10 PAKKING BRANDERH./BRANDERK. Ø218X8/5X10	JOINT/CARTER-TETE D218X8/5X10 JUNTA/CÁRTER-CABEZA D218X8/5X10	GUARNIZIONE/FUSIONE-TESTA D218X8/5X10	1
1280	13010008	SCHAUGLASS D55/50X21+MUTTER M48 KIJKGLASS D55/50X21+MOER M48	VOYANT DE FLAMME D55/50X21+ECROU M48 VISORE DE LLAMA D55/50X21+TUERCA M48	VISORE DI FIAMMA D55/50X21+DADO M48	1
1501	65300879	FEUERUNGSAUTOMAT TCH 311.00 BRANDERAUTOMAAT TCH 311.00	COFFRET TCH 311.00 PROGRAMADOR TCH 311.00	APPARECCHIATURA TCH 311.00	1
1504	65300997	KABEL ZÜNDTRAFO+STCK 3P/RAST3P L740 ONTSTEKINGSTRAFOKABEL+STCK3P/RAST3P L740	CABLE ALLUMEUR+PRISE 3P/RAST3P L740 CABLE ENCENDEADOR+TOMA 3P/RAST3P L740	CAVO TRASFO ACCENS.+PRESA 3P/RAST3P L740	1
1506	65300995	KABEL ÖLVENTIL+STCK DIN/RAST3P L1750V2 KABEL MAGNEETKLEP+STCKDIN/RAST3P L1750V2	CABLE EL.VANNE+PRISE DIN/RAST3P L1750V2 CABLE EL.VALVULA+TOMA DIN/RAST3P L1750V2	CAVO EL.VALVOLA+PRESA DIN/RAST3P L1750V2	1
1507	65301000	KABEL MOTOR+STECKER WIE. 4P 4X1,5 L560 KABEL MOTOR+STCKWIE. 4P 4X1,5 L560	CABLE MOTEUR+PRISE WIE. 4P 4X1,5 L560 CABLE MOTOR+TOMA WIE. 4P 4X1,5 L560	CAVO MOTORE+PRESA WIE. 4P 4X1,5 L560	1
1509	65300996	KABEL ÖLVENTIL+STCK DIN/RAST3P L1800V3 KABEL MAGNEETKLEP+STCKDIN/RAST3P L1800V3	CABLE EL.VANNE+PRISE DIN/RAST3P L1800V3 CABLE EL.VALVULA+TOMA DIN/RAST3P L1800V3	CAVO EL.VALVOLA+PRESA DIN/RAST3P L1800V3	1
1511	65300994	KABEL ÖLVENTIL+STC DIN/RAST3P L1800VS+V1 MAGNEETKLEPKABEL+S.DIN/RAST3P L1800VS+V1	CABLE EL.VANNE+PR. DIN/RAST3P L1800VS+V1 CABLE EL.VALV.+2XT.DIN/RAST3P L1800VS+V1	CAVO EL.VALVOLA+P.DIN/RAST3P L1800VS+V1	1
1525	65301109	ANZEIGE/FEUERUNGSAU.TCG-TCH R2.2 + KABEL AANWIJS EN BEDIENENHEID TCG/TCH R.2.2	AFFICHEUR/COFFRET TCG-TCH REL. 2.2 PANTALLA P. PROGRAMADOR TCG-TCH REL.2.2	DISPLAY PER APPARECCHIA.TCG-TCH REL.2.2	1
1550	13009778	SCHALTSCHUETZE SCH T.LC1-K0910M7 CONTACTOR SCH T.LC1-K0910M7	CONTACTEUR SCH T.LC1-K0910M7 CONTACTOR SCH T.LC1-K0910M7	CONTATTORE SCH T.LC1-K0910M7	1
1560	13009746	THERM.RELAIS SCH LR2K 5,5-8,0A THERM.RELAIS SCH LR2K 5,5-8,0A	RELAIS THERM. SCH LR2K 5,5-8,0A RELE TERM. SCH LR2K 5,5-8,0A	RELE TERM. SCH LR2K 5,5-8,0A	1
1600	13009663	ZUENDTRAFO EBI 2X7,5 230V ONTSTEKINGSTRAFO EBI 2X7,5 230V	ALLUMEUR EBI 2X7,5 230V ENCENDEADOR EBI 2X7,5 230V	TRASFO. ACC. EBI 2X7,5 230V+PRESA TERRA	1
1605	13009743	ZÜNDKABEL D6,35/D4 L750X2 KOERPER ONTSTEKINGSKABEL VG6 M/EK06.G (SET),L750	CABLE ALLUMAGE D6,35/D4 L750X2 CORPS CABLE ENCENDIDO D6,35/D4 L750X2 CUERPO	CAVO ACCENSIONE D6,35/D4 L750X2 CORPO	1
1610	13009661	ABDECKUNG/SCHNITTSTELLE AFSLUITER / BEDIENINGSPANEEL	OBTURATEUR / PUPITRE OBTURADOR / TABLERO	OTTURATORE / QUADRO	1
1620	65300993	KABELTUELLE DRAADDOORVOER D54/D47/D36	PASSE FIL D54/D47/D36 PASACABLE D54/D47/D36	PASSA FILO D54/D47/D36	1
1630	65300992	ZENTRALSCHALTPULT BEDIENINGSPANEL	TABLEAU DE COMMANDE PANEL DE CONTROL	PANNELLO DI CONTROLLO PANEL DE CONTROL	1
1640	13016457	SICHERUNGSHALTER+ SICHERUNG 6,3A ZEKERINGHOUDER+ZEKERING 6,3A	PORTE FUSIBLE+FUSIBLE 6.3A PORTA FUSIBLE+FUSIBLE 6.3A	PORTAFUSIBILE + FUSIBILE 6.3A	1
1645	13016028	FEINSICHERUNG 5X20 FST 6,3A 250V ZEKERING 5X20 FST 6,3A 250V	FUSIBLE 5X20 FST 6,3A 250V FUSIBLE 5X20 FST 6,3A 250V	FUSIBILE 5X20 FST 6,3A 250V	1
1650	13010007	LEUCHTSCHALTER EIN/AUS SCHAKELAAR AAN-UIT	INTERRUPTEUR MARCHE/ARRET INTERRUPTOR ON/OFF	INTERUTTORE ON/OFF	1
1660	13014009	BETRIEBSSCHALTER SCHAKELAAR - BEDRIJF	INTERRUPTEUR - FONCTIONNEMENT INTERRUPTOR - FUNCIONAMIENTO	INTERRUTTORE - FUNZIONAMENTO	1
1670	65300999	KABEL GMP+STCK 3P/RAST3P L920 KABEL GMP+STCK3P/RAST3P L920	CABLE GMP+PRISE 3P/RAST3P L920 CABLE GMP+TOMA 3P/RAST3P L920	CAVO GMP+PRESA 3P/RAST3P L920	1
1920	65326516	FOTOZELLE QRB1A LG.570+RAST5 FOTOCEL QRB1A LG.570+RAST5	CELLULE QRB1A LG.570+RAST5 CELULA QRB1A LG.570+RAST5	FOTOCPELLULA QRB 1A LG.570+RAST5	1
	65328029	FOTOZELLE FTB3 F L610 RAST5 FOTOCEL FTB3 F L610 RAST5	CELLULE FTB3 F L610 RAST5 CELULA FTB3 F L610 RAST5	FOTOCPELLULA FTB3 F L610 RAST5	1
2010	13009809	ÖLSCHLAUCH DN6 M14-M14X28 90° L1300 OLIESLANG DN6 M14-M14X28 90° L1300	FLEXIBLE DN6 M14-M14X28 90° L1300 LATIGUILLLO DN6 M14-M14X28 90° L1300	FLESSIBILE DN6 M14-M14X28 90° L1300	1
2020	13009752	STAUSCHEIBE D155/50 8SL R 3DRIL. STUWPLAAT D155/50 8SL R 3DRIL.	DEFLECTEUR D155/50 8SL R 3DRIL. DEFLECTOR D155/50 8SL R 3DRIL.	DIFFUSORE D155/50 8SL R 3DRIL.	1
	13022795	STAUSCHEIBE D168/50 8SL 3DRIL. STUWPLAAT D168/50 8SL 3DRIL.	DEFLECTEUR D168/50 8SL 3DRIL. DEFLECTOR D168/50 8SL 3DRIL.	DIFFUSORE D168/50 8SL 3DRIL.	1
2025	13009753	STAUSCHEIBENHALTER STEUN VLAMMENHAKER	SUPPORT DEFLECTEUR SOPORTE DEFLECTOR	SUPPORTO DEFLETTORE	1
2045	13009726	ZUENDELEKTROD.27X55 d6,4D2X23 45° +SCHR. ELEKTRODEBLOK 27X55 d6,4 D2X23 45°+SCHR.	BLOC-ELECTRODES 27X55 d6,4D2X23 45° +VIS BLOQ.ELECTRO.27X55 d6,4D2X23 45°+TORNIL.	BLOC.ELETTRODI 27X55 d6,4D2X23 45° +VITE	1
2046	13010049	SCHRAUBE M4-SPEZIAL SCHROEF M4 SPEC. KLEMMVEER ELECTR.	VIS EPAULEE M4/BLOC-ELECTRODES TORN.ALLEN M4/BLOQUE-ELECTRODOS	VITE CON SPALLAMENTO M4/BLOCCO ELETTRODI	1
2047	13009725	FLANSCH 20X11X2,6 FIX. ZUENDELEKTRODE KLEMMVEER 20X11X2,6 ELEKTRODEBLOCK	BRIDE 20X11X2,6 FIX. ELECTRODE BRIDA 20X11X2,6 FIX. ELECTRODO	FLANGIA 20X11X2,6 FIX. ELETTRODO	1
2070	13009727	ZÜNDKABEL BERU D6,35/D6,35 L950 X2 KOPF ONTSTEKINGSKABEL D6,35/D6,35 L950X2 STUKS	CABLE ALLUMAGE D6,35/D6,35 L950 X2 TETE CABLE ENCENDID.D6,35/D6,35 L950X2 CABEZA	CAVO ACCENSIONE D6,35/D6,35 L950X2 TESTA	1
2101	13009757	DÜSENSTANGE D42/10 L526 3 ROHR DIST.18 SPROEIERLIJNE D42/10 L526 3 BUIS DIST.18	LIGNE GICLEUR D42/10 L526 3 TUBE DIST.18 LÍNEA BOQU. D42/10 L526 3 TUBES DIST.18	LINEA UGELLO D42/10 L526 3 TUBI DIST.18	1
	13009758	DÜSENSTANGE D42/10 L726 3 ROHR DIST.18 SPROEIERLIJNE D42/10 L726 3 BUIS DIST.18	LIGNE GICLEUR D42/10 L726 3 TUBE DIST.18 LÍNEA BOQU. D42/10 L726 3 TUBES DIST.18	LINEA UGELLO D42/10 L726 3 TUBI DIST.18	1

		DE NL	FR ES	IT	X
	13009759	DÜSENSTANGE D42/10 L626 3 ROHR DIST.18 NOZZLESTANG Ø42/10 L626 T3 /KM	LIGNE GICLEUR D42/10 L626 3 TUBE DIST.18 LÍNEA BOQU. D42/10 L626 3 TUBES DIST.18	LINEA UGELLO D42/10 L626 3 TUBI DIST.18	1
2102	13009812	O-RING D6X2 NOZZLESTANG O-RING Ø6X2	O-RING D6X2 O-RING D6X2	O-RING D6X2	1
2105	13009817	D-STANGEDECKEL 174X90 D63/NC160-210/V6 DEKSEL SPROEIERLIJN 174X90 D63/NC210/V6	COUVERCLE LIG.GIC.174X90D63/NC160-210/V6 TAPA LINEA BOQU. 174X90 D63/NC160-210/V6	COPERCHIO LINEA UGEL.174X90 D63/NC210/V6	1
2110	13009816	ABDICHTUNGSPLATTE.RTC EQ. H-G PLAAT GESL.RTC VOLL. H-G	PLAQUE FERM.RTC EQ. H-G PLACA CIERRE RTC EQ. H-G	PIASTRA DI CHIUSURA RTC EQ. H-G	1
2140	13009760	BRENNERROHR D227/172/190 L343 BRANDERBUIJS D227/172/190 L343	TUBE DE FLAMME D227/172/190 L343 TUBO DE LLAMA D227/172/190 L343	BOCCAGLIO D227/172/190 L343	1
	13009761	BRENNERROHR D227/172/190 L543 BRANDERBUIJS D227/172/190 L543	TUBE DE FLAMME D227/172/190 L543 TUBO DE LLAMA D227/172/190 L543	BOCCAGLIO D227/172/190 L543	1
	13009762	BRENNERROHR D227/172/190 L443 BRANDERBUIJS D227/172/190 L443	TUBE DE FLAMME D227/172/190 L443 TUBO DE LLAMA D227/172/190 L443	BOCCAGLIO D227/172/190 L443	1
	13009763	BRENNERROHR D227/160/190 L343 BRANDERBUIJS D227/160/190 L343	TUBE DE FLAMME D227/160/190 L343 TUBO DE LLAMA D227/160/190 L343	BOCCAGLIO D227/160/190 L343	1
	13009764	BRENNERROHR D227/160/190 L543 BRANDERBUIJS D227/160/190 L543	TUBE DE FLAMME D227/160/190 L543 TUBO DE LLAMA D227/160/190 L543	BOCCAGLIO D227/160/190 L543	1
	13009765	BRENNERROHR D227/160/190 L443 BRANDERBUIJS D227/160/190 L443	TUBE DE FLAMME D227/160/190 L443 TUBO DE LLAMA D227/160/190 L443	BOCCAGLIO D227/160/190 L443	1
2150	13009719	DICHTUNG/BRENNERFLANSCH 335X326X3 D250 PAKKING/MONTAGEFLENS 335X326X3 D250	JOINT/BRIDE BRULEUR 335X326X3 D250 JUNTA/BRIDA QUEMADOR 335X326X3 D250	GUARNIZIONE/FLANGIA BRUC. 335X326X3 D250	1
2160	65326208	BRENNKOPFFLANSCH D228L389/VL6-NC160/210H BEVESTIGINGKOP D228 L389/VL6-NC160/210 H	BRIDE FIXA.TETE D228 L389/VL6-NC160/210H BRIDA FIJA.CABEZA D228 L389/VL6-NC160 H	FLANGIA FISSA.TESTA D228 L389/VL6-NC160H	1
2170	13009723	SCHRAUBEN-SET BRENNERROHR M8X20/VERPACKT KIT BEV.SCHROEF BRANDERBUIJS (X3)	KIT VIS FIX. TUBE BRULEUR (X3) KIT TORN.FIJ. TUBO QUEMADOR (X3)	KIT VITI FISS. TUBO BRUCIATORE (X3)	1
2400	13016056	DUESE DAN 6,50 GPH 60° B NOZZLE DAN 6,50 GPH 60° B	GICLEUR DAN 6,50 GPH 60° B BOQUILLA DAN 6,50 GPH 60° B	UGELLO DAN 6,50 GPH 60° B	1
	13016059	DUESE DAN 8,50 GPH 60° B NOZZLE DAN 8,50 GPH 60° B	GICLEUR DAN 8,50 GPH 60° B BOQUILLA DAN 8,50 GPH 60° B	UGELLO DAN 8,50 GPH 60° B	1
2500	13009811	HYDRAUL.VERTEILER (3ALL) HYDRAUL. VERDELER VOLL. (3ALL)	DISTRIBUTEUR HYDRAULIQUE FIOUL EQ.(3ALL) DISTRIBUIDOR HIDRÁUL.EQ. (3ENC)	DISTRIBUTTORE IDRAULICO GASOLIO 3 STAD.	1
2510	13009813	ELEKTROVENTIL LUC 121F63 2/2NF9W MAGNEETKLEP LUC 121F63 2/2NF9W	ELECTROVANNE LUC 121F63 2/2NF9W ELECTROVÁLV. LUC 121F63 2/2NF9W	ELETTRORVALVOLA LUC 121F63 2/2NF9W	1
2520	13009814	SPULE LUC 9W SPOEL LUCIFER 9W	BOBINE LUCIFER 9W BOBINA LUCIFER 9W	BOBINA LUCIFER 9W	1
2600	13009724	WELLE/SCHARNIER GEHAU.D12X210+D12X83 90° AS/SCHARN.LICHA.-HOOF.D12X210+D12X83 90°	AXE/CHARN. CORPS.TETE D12X210+D12X83 90° EJE/BISAGR.CUERPO-CAB.D12X210+D12X83 90°	PERNO/CERNIERA CORPO D12X210+D12X83 90°	1
5001	13016039	DUESE DAN 10,00 GPH 45° B NOZZLE DAN 10,00 GPH 45° B	GICLEUR DAN 10,00 GPH 45° B BOQUILLA DAN 10,00 GPH 45° B	UGELLO DAN 10,00 GPH 45° B	1
	13016042	DUESE DAN 4,50 GPH 45° B NOZZLE DAN 4,50 GPH 45° B	GICLEUR DAN 4,50 GPH 45° B BOQUILLA DAN 4,50 GPH 45° B	UGELLO DAN 4,50 GPH 45° B	1
	13016043	DUESE DAN 5,50 GPH 45° B NOZZLE DAN 5,50 GPH 45° B	GICLEUR DAN 5,50 GPH 45° B BOQUILLA DAN 5,50 GPH 45° B	UGELLO DAN 5,50 GPH 45° B	1
	13016044	DUESE DAN 5,00 GPH 45° B NOZZLE DAN 5,00 GPH 45° B	GICLEUR DAN 5,00 GPH 45° B BOQUILLA DAN 5,00 GPH 45° B	UGELLO DAN 5,00 GPH 45° B	1
	13016045	DUESE DAN 6,50 GPH 45° B NOZZLE DAN 6,50 GPH 45° B	GICLEUR DAN 6,50 GPH 45° B BOQUILLA DAN 6,50 GPH 45° B	UGELLO DAN 6,50 GPH 45° B	1
	13016047	DUESE DAN 7,50 GPH 45° B NOZZLE DAN 7,50 GPH 45° B	GICLEUR DAN 7,50 GPH 45° B BOQUILLA DAN 7,50 GPH 45° B	UGELLO DAN 7,50 GPH 45° B	1
	13016048	DUESE DAN 8,50 GPH 45° B NOZZLE DAN 8,50 GPH 45° B	GICLEUR DAN 8,50 GPH 45° B BOQUILLA DAN 8,50 GPH 45° B	UGELLO DAN 8,50 GPH 45° B	1
	13016049	DUESE DAN 10,00 GPH 60° B NOZZLE DAN 10,00 GPH 60° B	GICLEUR DAN 10,00 GPH 60° B BOQUILLA DAN 10,00 GPH 60° B	UGELLO DAN 10,00 GPH 60° B	1
	13016050	DUESE DAN 11,00 GPH 60° B NOZZLE DAN 11,00 GPH 60° B	GICLEUR DAN 11,00 GPH 60° B BOQUILLA DAN 11,00 GPH 60° B	UGELLO DAN 11,00 GPH 60° B	1
	13016053	DUESE DAN 4,50 GPH 60° B NOZZLE DAN 4,50 GPH 60° B	GICLEUR DAN 4,50 GPH 60° B BOQUILLA DAN 4,50 GPH 60° B	UGELLO DAN 4,50 GPH 60° B	1
	13016054	DUESE DAN 5,50 GPH 60° B NOZZLE DAN 5,50 GPH 60° B	GICLEUR DAN 5,50 GPH 60° B BOQUILLA DAN 5,50 GPH 60° B	UGELLO DAN 5,50 GPH 60° B	1
	13016056	DUESE DAN 6,50 GPH 60° B NOZZLE DAN 6,50 GPH 60° B	GICLEUR DAN 6,50 GPH 60° B BOQUILLA DAN 6,50 GPH 60° B	UGELLO DAN 6,50 GPH 60° B	1
	13016058	DUESE DAN 7,50 GPH 60° B NOZZLE DAN 7,50 GPH 60° B	GICLEUR DAN 7,50 GPH 60° B BOQUILLA DAN 7,50 GPH 60° B	UGELLO DAN 7,50 GPH 60° B	1
	13016059	DUESE DAN 8,50 GPH 60° B NOZZLE DAN 8,50 GPH 60° B	GICLEUR DAN 8,50 GPH 60° B BOQUILLA DAN 8,50 GPH 60° B	UGELLO DAN 8,50 GPH 60° B	1
	13023430	DUESE DAN 11,00 GPH 45° B NOZZLE DAN 11,00 GPH 45° B	GICLEUR DAN 11,00 GPH 45° B BOQUILLA DAN 11,00 GPH 45° B	UGELLO DAN 11,00 GPH 45° B	1
	65300630	DUESE DAN 5,00 GPH 60° B NOZZLE DAN 5,00 GPH 60° B	GICLEUR DAN 5,00 GPH 60° B BOQUILLA DAN 5,00 GPH 60° B	UGELLO DAN 5,00 GPH 60° B	1
	65300688	DUESE DAN 12,00 GPH 60° B NOZZLE DAN 12,00 GPH 60° B	GICLEUR DAN 12,00 GPH 60° B BOQUILLA DAN 12,00 GPH 60° B	UGELLO DAN 12,00 GPH 60° B	1

		<table border="1"><tr><td>RU</td></tr><tr><td>TR</td></tr></table>	RU	TR	<table border="1"><tr><td>PT</td></tr><tr><td></td></tr></table>	PT		<table border="1"><tr><td>PL</td></tr><tr><td></td></tr></table>	PL		
RU											
TR											
PT											
PL											
1005	65326951	ВОЗДУ.КАМ. 318X414X167+ВОЗДУ.ЗАС.МЕТ.+КР HAVA KUTU. 318X414X167+METAL HAV.KL.+KAP	CAIXA AR 318X414X167+ FLAP AR MET.+TAMPA	KOMOR.POW. 318X414X167+PRZE.POW.MET.+POK	1						
1010	13009641	ИЗОЛЯЦИЯ ВОЗДУХОЗАБОРНИКА HAVA KUTUSU YALITIMI	ISOLAMENTO CAIXA DE ENTRADA DE AR	USZCZELKA SKRZYNKI POWIETRZA	1						
1011	13009640	ПРОКЛАДКА/ВОЗДУШН.КАМЕРА 109X6X7 ПРОФИЛ. CONTASI/HAVA KUTUSU 109X6X7 PROFILLI	GAXETA/CAIXA DE AR 109X6X7 PERFILADO	USZCZELKA/KOMORA POWIET. 109X6X7 PROFIL.	1						
1012	13009642	КРЫШКА 80X143X47/ВОЗДУШНАЯ КАМЕРА KARAK 80X143X47/HAVA KUTUSU	TAMPA 80X143X47/CAIXA DE AR	POKRYWA 80X143X47/KOMORA POWIETRZA	1						
1015	13022784	КОРПУС 565X522X162+FLANGE D200 NC210/V6 KARTER 565X522X162+FLANGE D200 NC210/V6	CARÇAÇA 565X522X162+FLANGE D200 NC210/V6	OBUDOWA 565X522X162+FLANGE D200 NC210/V6	1						
1026	13009748	ВОЗДУШНЫЙ ВЫПРЯМИТЕЛЬ 148/162 4BL. HAVA DÜZELTİCİ 148/162 4BL.	RECICLAGEM DE AR 148/162 4BL.	PROSTOWNIK POWIETRZA 148/162 4ŁOP.	1						
1040	13016845	МУФТА ПРОПУСКА ПРОВОДА/КАРТЕР KABLO KANALI/KARTER	PASSA-CABOS/CAIXA	PRZELOTKA PRZEWODU/OBUDOWA	1						
1050	13014117	ВОЗДУШНАЯ ЗАСЛОНКА 232X154+ПРУЖИНА+РЫЧАГ HAVA KLAPESI 232X154+RÖSOR+KOLONU	FLAP DA AR 232X154+MOLA+AVALANCA	PRZEPUSTNICA POW.232X154+SPREZYNA+DŹWIG.	1						
1051	13011507	ПРУЖИНА/ВОЗДУШНОЙ ЗАСЛОНКИ КРАСНЫЙ YAYI/KIRMIZI HAVA KLAPESI	MOLA ALETA DE AR VERMELHA	SPRĘŻYNA/PRZEPUST. POWIETR. CZERWONA	1						
1055	65301070	СОЕДИНЕНИЕ В СБОРЕ DONANIMLI BAĞLANTI	ACOPLAMENTO COMPLETO	SPRZĘGŁO Z OSPRZĘTEM	1						
1070	13009649	РАБОЧЕЕ КОЛЕСО D240X82 D19 TÜRBİN D240X82 D19	TURBINA D240X82 D19	WIMIK D240X82 D19	1						
	13009736	ТУРБИНА D240X114 d24 D240X114 d24 TÜRBİN	TURBINA D240X114 d24	WIMIK D240X114 d24	1						
	13009737	ТУРБИНА D250X114 d24 D250X114 d24 TÜRBİN	TURBINA D250X114 d24	WIMIK D250X114 d24	1						
1075	13018809	МОНТ.ПАНЕЛ ДВИГ. РАБО.КОЛ./V5-6/NC95-210 MOTOR MONTAJ PLAKASI TÜRB./V5-6/NC95-210	PLACA MONTAGEM MOTOR TURB./V5-6/NC95-210	PŁYTA MONTAŻ.SILNIKA WIMIK/V5-6/NC95-210	1						
1080	13009648	ПРОХОДНАЯ ВТУЛКА ДЛЯ ПРОВОДА KABLO GEÇİRİCİ	PASSA-CABOS	PRZELOT KABLI	1						
1090	65301001	СЕРВОДВИГАТ. STE4,5 Q3.51/6R 3NM+CAB.L500 SERVOMOTOR STE 4,5 Q3.51/6 R 3NM	SERVOMOTOR STE4,5 Q3.51/6R 3NM+CAB.L500	SERWOMOTOR STE4,5 Q3.51/6R 3NM+CAB.L500	1						
1091	65326804	СЕРВОДВИГАТ. STE4,5Q3.51/6L 3NM+CAB.L1000 SERVOMOTOR STE 4,5 Q3.51/6 L 3NM	SERVOMOTOR STE4,5 Q3.51/6L 3NM+CAB.L1000	SERWOMOTOR STE4,5 Q3.51/6L 3NM+CAB.L1000	1						
1092	65326226	ДЕРЖАТЕЛЬ СЕРВОДВИГАТЕЛЬ DESTEĞİ SERVOMOTOR	SUPORTE SERVOMOTOR	WSPORNIK SERVOMOTOR	1						
1093	65326227	ВОЗДУШНАЯ ЗАСЛОНКА 234/228X154+СЦЕПЛЕНИЕ HAVA KLAPESI 234/228X154+KAPLIN	FLAP DA AR 234/228X154+ACOPLAMENTO	PRZEPUSTNICA POW.234/228X154+ŁĄCZNIK	1						
1100	65301016	КОЖУХ СЕРЫЙ 590X547X476+ВИНТ/V 5-6 KAPAĞI GRI 590X547X476+VIDASIV 5-6	COBERTURA CINZA 590X547X476+PARAF./V 5-6	OSŁONA SZARY 590X547X476+SRUBA/V 5-6	1						
1105	13009772	ПРОКЛАДКА/КОЖУХ 10X3 L1000 CONTASI/KAPAĞI 10X3 L1000	GAXETA/COBERTURA 10X3 L1000	USZCZELKA/OSŁONA 10X3 L1000	1						
1111	65300519	ВИНТ С ПЛОСКОЙ ГОЛОВКОЙ M5X15 DÜZ BAŞLI VIDA M5X15	PARAFUSO CABEÇA PLANA M5X15	ŚRUBA Z ŁBEM NITOWYM PŁASKIM M5X15	1						
1150	13015715	КОНДЕНСАТОР 12µF 2P 3mm KONDENSATOR 12µF	CAPACITOR 12µF 2P 3mm	KONDENSATOR 12 µF	1						
	65326967	КОНДЕНСАТОР 22µF 2P 3MM KONDENSATOR 22µF 2P 3MM	CAPACITOR 22µF 2P 3MM	KONDENSATOR 22µF 2P 3MM	1						
1160	13009654	ДВИГАТЕЛЬ 1,5 кВт 230/400 В D19 + РАЗЪЕМ 1,5KW 230/400V D19 MOTOR +PRİZ	MOTOR 1,5KW 230/400V D19+PLUGUE	SILNIK 1,5 KW 230/400 V D19+GNIAZDO	1						
	13009739	ДВИГАТЕЛЬ 2,2KW 230/400V D24+РАЗЪЕМ MOTOR 2,2KW 230/400V D24+PRİZ	MOTOR 2,2KW 230/400V D24+PLUGUE	SILNIK 2,2 KW 230/400 V D24 + GNIAZDO	1						
	13009740	ДВИГАТЕЛЬ 2,5KW 230/400V D24+РАЗЪЕМ MOTOR 2,5KW 230/400V D24+PRİZ	MOTOR 2,5KW 230/400V D24+PLUGUE	SILNIK 2,5 KW 230/400 V D24 + GNIAZDO	1						
1165	13009807	ДВИГАТЕЛЬ 0,45KW 230V 50H D12,7 GMP MOTOR 0,45KW 230V 50H D12,7 GMP	MOTOR 0,45KW 230V 50H D12,7 GMP	SILNIK 0,45KW230V 50H D12,7 GMP	1						
	65328156	ДВИГАТЕЛЬ 0,45KW 230V 60H D12,7 GMP MOTOR 0,45KW 230V 60H D12,7 GMP	MOTOR 0,45KW 230V 60H D12,7 GMP	SILNIK 0,45KW230V 60H D12,7 GMP	1						
1170	13009806	СОЕД. МУФТА НАСОС/ДВИГАТЕЛЬ Н-В POMPA/H-B MOTOR AKUPLMANI	ACOPLAMENTO BOMBA/MOTOR H-B	SPRZĘGŁO POMPY/SILNIKA H-B	1						
1175	13009802	МАЗУТНЫЙ НАСОС AJ6 CC 1004 AJ6 CC 1004 YAKIT POMPASI	BOMBA DE COMBUSTÍVEL AJ6 CC 1004	POMPA PALIWA AJ6 CC 1004	1						
1180	13014194	ФИЛЬТР ТОПЛИВА 150µ / НАСОС AJ6 FILTRE OIL 150µ / POMPA AJ6	FILTRO OIL 150µ / BOMBA AJ6	FILTR OIL 150µ / POMPA AJ6	1						
1200	13009815	ШЛАНГ DN8 G1/2M M16X38 90° L1500 ESNEK DN8 G1/2M M16X38 90° L1500	FLEXIVEL DN8 G1/2M M16X38 90° L1500	PRZEWÓD GIĘTKI DN8 G1/2M M16X38 90°L1500	1						
1201	13014419	ШТУЦЕР/ШЛАНГ G1/4/M16X1,5 G1/4/M16X1,5 RAKOR/HORTUM	CONECTOR/MANGUEIRA G1/4/M16X1,5	ZŁĄCZE/USZCZELKA G1/4/M16X1,5	1						
1202	13014676	ШТУЦЕР/ШЛАНГ G1/8/M14X1,5 G1/8/M14X1,5 RAKOR/HORTUM	CONECTOR/MANGUEIRA G1/8/M14X1,5	ZŁĄCZE/USZCZELKA G1/8/M14X1,5	1						
1205	13014118	КРЫШКА ИНДИКАТОРА ПЛАМЕНИ В СБОРЕ DONANIMLI ALEV GÖSTERGESİ KAPAĞI	TAMPA VISOR CHAMA EQU.	POKRYWA SYGNALI. ŚWIETLNEJ PŁOM. EQU.	1						

					
1240	13009738	РОЗЕТКА ВОЗДУШНОЕ ДАВЛЕНИЕ НЕОБ.ДО,7L145 PRIZ HAVA BASINCI BAĞLANTI ELE.DO,7 L145	TOMADA PRESSÃO AR TUBEIRA DO,7 L145	WTYCZKA CIŚNIEN.POW.PRZYSTAWKA DO,7 L145	1
1250	13020723	КРОНШТЕЙН ПНЕВМОРЕЛЕ Д32 HAVA BASINÇ ŞALTERİ MESNEDİ D32	BASE MANÓSTATO AR D32	WSPORNIK CZUJNIKA CIŚNI. POWIET. D32	1
1260	65300991	РЕЛЕ ДАВЛЕНИЯ ВОЗДУХ HUBA 604 1-10MBAR HAVA BASINÇ ŞALTERİ HUBA 604 1-10MBAR	MANÓSTATO DE AR 604 1-10MBAR	CZUJNIK CIŚNIENIA POWIETR. HUBA 604 1-10	1
1270	13010055	ПРОКЛАДКА/КОРПУС-ГОЛОВА D218X8/5X10 CONTASI/KARTER-KAFA D218X8/5X10	GAXETA/CARÇAÇA-CABECA D218X8/5X10	USZCZELKA/OBUDOWA-GŁOWA D218X8/5X10	1
1280	13010008	СМОТРОВОЕ ОКНО D55/50X21+NUT M48 ROGAR CAMI D55/50X21+NUT M48	VIGIA D55/50X21+PORCA M48	SZKŁO PODGLĄDU D55/50X21+NUT M48	1
1501	65300879	БЛОК УПРАВЛЕНИЯ TCH 311.00 KUTU TCH 311.00	UNIDADE DE CONTROLE TCH 311.00	MODUŁ TCH 311.00	1
1504	65300997	КАБЕЛЬ ТРАНСФО РОЗЖИГА+PL.3P/RAST3P L740 KABLOSU ATEŞL. TRAFO.+PLUG3P/RAST3P L740	CABO TRANSFO IGNIÇÃO+TOM.3P/RAST3P L740	PRZEWÓD TRANSFO ZAPL.+PLUG3P/RAST3P L740	1
1506	65300995	КАБЕЛЬ ЭЛЕКТРОКЛ.+PL.DIN/RAST3P L1750V2 KABLOSU ELECT.VANA+PL.DIN/RAST3P L1750V2	CABO EL.VALVULA+TOM. DIN/RAST3P L1750V2	PRZEWÓD EL.ZAWOR+PLUGDIN/RAST3P L1750V2	1
1507	65301000	КАБЕЛЬ ЭЛ.ДВИГАТЕЛЬ+P.WIE.4P 4X1,5 L560 MOTORU KABLOSU+PLUGWIE. 4P 4X1,5 L560	CABO MOTOR+TOMADA WIEL.4P 4X1,5 L560	PRZEWÓD SILNIK+PLUGWIE. 4P 4X1,5 L560	1
1509	65300996	КАБЕЛЬ ЭЛЕКТРОКЛ.+PL.DIN/RAST3P L1800V3 KABLOSU ELECT.VANA+PL.DIN/RAST3P L1800V3	CABO EL.VALVULA+TOM. DIN/RAST3P L1800V3	PRZEWÓD EL.ZAWOR+PLUGDIN/RAST3P L1800V3	1
1511	65300994	КАБЕЛЬ ЭЛЕКТРОКЛ.+DIN/RAST3P L1800VS+V1 KABLOSU EL.VANA+2XDIN/RAST3P L1800VS+V1	CABO EL.VALV.+2XT.DIN/RAST3P L1800VS+V1	PRZEWÓD EL.ZAWOR+DIN/RAST3P L1800VS+V1	1
1525	65301109	ДИСПЛЕЙ БЛОК УПРАВЛЕНИЯ TCG-TCH REL. 2.2 EKRAN İÇİN KUTU TCG-TCH R2.2 + KABLOSU	DISPLAY/PROGRAMADOR TCG-TCH RELEASE 2.2	WYŚWIETLACZ/MODUŁ TCG-TCH R2.2 + PRZEWÓD	1
1550	13009778	КОНТАКТОР SCH T.LC1-K0910M7 KONTAKTÖR SCH T.LC1-K0910M7	CONTACTOR SCH T.LC1-K0910M7	STYCZNIK SCH T.LC1-K0910M7	1
1560	13009746	ТЕПЛОВОЕ РЕЛЕ SCH LR2K 5,5-8,0A TERMİK RÖLE SCH LR2K 5,5-8,0A	RELE TERM. SCH LR2K 5,5-8,0A	PRZEKAŻ TERMICZN. SCH LR2K 5,5-8,0A	1
1600	13009663	ТРАНСФО РОЗЖИГА EBI 2X7,5 230V ATEŞLEME TRAFO. EBI 2X7,5 230V	TRANSFO IGNIÇÃO EBI 2X7,5 230V	TRANSFO ZAPLONOWY EBI 2X7,5 230V	1
1605	13009743	КАБЕЛЬ РОЗЖИГА D6,35/D4 L750X2 КОРПУС ATEŞLEME KABLOSU D6,35/D4 L750X2 GÖVDESİ	CABO ENCENDIDO D6,35/D4 L750X2 CORPO	PRZEWÓD ALU. D6,35/D4 L750X2 CIAŁO	1
1610	13009661	ЗАТВОР/ПУЛЬТ TAPA / KONTROL PANELİ	OBTURADOR INTERFACE	PRZEPUSTNICA / PULPIT	1
1620	65300993	МУФТА ПРОКЛАДКИ ПРОВОДА D54/D47/D36 KABLO KANALI D54/D47/D36	PASSA-CABOS D54/D47/D36	PRZELOTKA PRZEWODU D54/D47/D36	1
1630	65300992	ПАНЕЛЬ УПРАВЛЕНИЯ KONTROL PANELİ	PAINEL DE CONTROLE	TABLICA WSKAŹNIKÓW	1
1640	13016457	ДЕРЖАТЕЛЬ ПРЕДОХР-ЛЯ + ПРЕДОХР-ЛЬ 6,3 A SİGORTA TAŞIYICI + 6.3A SİGORTA	PORTA-FUSÍVEL+FUSÍVEL 6,3A	OPRAWA BEZPIECZNIKOWA +BEZPIECZNIK 6,3 A	1
1645	13016028	ПРЕДОХРАНИТЕЛЬ 5X20 FST 6,3A 250V SIGORTA 5X20 FST 6,3A 250V	FUSIVEL 5X20 FST 6,3A 250V	BEZPIECZNIKA 5X20 FST 6,3A 250V	1
1650	13010007	ПЕРЕКЛЮЧАТЕЛЬ ON-OFF ŞALTER	INTERRUPTOR ON-OFF	PRZEŁĄCZNIK	1
1660	13014009	ПЕРЕКЛЮЧАТЕЛЬ ŞALTER	INTERRUPTOR - FUNCIONAMENTO	PRZEŁĄCZNIK	1
1670	65300999	КАБЕЛЬ GMP+PLUG3P/RAST3P L920 KABLOSU GMP+PLUG3P/RAST3P L920	CABO GMP+TOMADA 3P/RAST3P L920	PRZEWÓD GMP+PLUG3P/RAST3P L920	1
1920	65326516	ФОТОРЕЗИСТОР QRB1A LG.570+RAST5 HÜCRE QRB1A LG.570+RAST5	CELULA QRB1A LG.570+RAST5	FOTOKOMÓRKA QRB1A LG.570+RAST5	1
	65328029	ФОТОРЕЗИСТОР FTEB 3 F L610 RAST5 HÜCRE FTEB 3 F L610 RAST5	CELULA FTEB 3 F L610 RAST5	FOTOKOMÓRKA FTEB 3 F L610 RAST5	1
2010	13009809	ШЛАНГ DN6 M14-M14X28 90° L1300 ESNEK DN6 M14-M14X28 90° L1300	FLEXIVEL DN6 M14-M14X28 90° L1300	PRZEWÓD GIĘTKI DN6 M14-M14X28 90° L1300	1
2020	13009752	ДЕФЛЕКТОР D155/50 8SL R 3DRIL. DEFLEKTOR D155/50 8SL R 3DRIL.	DEFLECTOR D155/50 8SL R 3DRIL.	DEFLEKTOR D155/50 8SL R 3DRIL.	1
	13022795	ДЕФЛЕКТОР D168/50 8SL 3DRIL. DEFLEKTOR D168/50 8SL 3DRIL.	DEFLECTOR D168/50 8SL 3DRIL.	DEFLEKTOR D168/50 8SL 3DRIL.	1
2025	13009753	ДЕРЖАТЕЛЬ ДЕФЛЕКТОР DEFLEKTÖR DESTEĞİ	SUPORTE PLACA DEFLETORA	WSPORNIK DEFLEKTOR	1
2045	13009726	БЛОК ЭЛЕКТРОДОВ 27X55 d6,4D2X23 45°+ВИНТ ELEKTROD BLOĞU 27X55 d6,4D2X23 45°+VIDA.	BLOCO ELETROD.27X55 d6,4D2X23 45°+PARAF.	BLOK ELEKTROD 27X55 d6,4D2X23 45° +ŞRUBA	1
2046	13010049	ВИНТ С БУРТИКОМ M4/БЛОК ЭЛЕКТРОДОВ M4 OMUZLU VIDA/ELEKTROT BLOĞU	PARAFUSO M4/BLOCO DE ELETRODOS	ŞRUBA M4/BLOKADA ELEKTROD	1
2047	13009725	ФЛАНЕЦ 20X11X2,6 FIX. ЭЛЕКТРОД FLANŞI 20X11X2,6 FIX. ELEKTROD	FLANGE 20X11X2,6 FIX. ELETRODO	KOŁNIERZ 20X11X2,6 FIX. ELEKTRODA	1
2070	13009727	КАБЕЛЬ РОЗЖИГА D6,35/D6,35 L950X2 ГОЛОВА ATEŞLEME KABLOSU D6,35/D6,35 L950X2 KAFA	CABO ENCENDIDO D6,35/D6,35 L950X2 CABECA	PRZEWÓD ALU. D6,35/D6,35 L950 X2 GŁOWA	1
2101	13009757	ЛИНИЯ ФОРСУНКИ D42/10 L526 3ТРУБ.DIST.18 PÜSK.M.HATTI D42/10 L526 3 TUPLU DIST.18	LÍNEA BOQU. D42/10 L526 3 TUBES DIST.18	UKŁAD DYSZY D42/10 L526 3 BORUSU DIST.18	1
	13009758	ЛИНИЯ ФОРСУНКИ D42/10 L726 3ТРУБ.DIST.18 PÜSK.M.HATTI D42/10 L726 3 TUPLU DIST.18	LÍNEA BOQU. D42/10 L726 3 TUBES DIST.18	UKŁAD DYSZY D42/10 L726 3 BORUSU DIST.18	1

		RU TR	PT	PL	X
	13009759	ЛИНИЯ ФОРСУНКИ D42/10 L626 3ТРУБ.DIST.18 PÜSK.M.HATTI D42/10 L626 3 TUPLU DIST.18	LÍNEA BOQU. D42/10 L626 3 TUBES DIST.18	UKŁAD DYSZY D42/10 L626 3 BORUSU DIST.18	1
2102	13009812	О-КОЛЬЦО D6X2 O-RING D6X2	O-RING D6X2	O-RING D6X2	1
2105	13009817	КРЫШКА NOZZLE ROD174X90 D63/NC160-210/V6 KAPAK NOZZLE ROD 174X90 D63/NC160-210/V6	TAMPA LINEA BOQ. 174X90 D63/NC160-210/V6	POKRYWA NOZZ.ROD 174X90 D63/NC160-210/V6	1
2110	13009816	ЗАМЫКАЮЩАЯ ПЛАСТИНА RTC В СБОРЕ H-G H-G KARATMA LEVHASI DONANIMI	PLACA FECHAM.RTC EQ. H-G	PŁYTA FERM. RTC EQ. H-G	1
2140	13009760	СОПЛО ГОРЕЛКИ D227/172/190 L343 BRÜLÖR BORUSU D227/172/190 L343	TUBO DO QUEIMADOR D227/172/190 L343	RURA PALNIKA D227/172/190 L343	1
	13009761	СОПЛО ГОРЕЛКИ D227/172/190 L543 BRÜLÖR BORUSU D227/172/190 L543	TUBO DO QUEIMADOR D227/172/190 L543	RURA PALNIKA D227/172/190 L543	1
	13009762	СОПЛО ГОРЕЛКИ D227/172/190 L443 BRÜLÖR BORUSU D227/172/190 L443	TUBO DO QUEIMADOR D227/172/190 L443	RURA PALNIKA D227/172/190 L443	1
	13009763	СОПЛО ГОРЕЛКИ D227/160/190 L343 BRÜLÖR BORUSU D227/160/190 L343	TUBO DO QUEIMADOR D227/160/190 L343	RURA PALNIKA D227/160/190 L343	1
	13009764	СОПЛО ГОРЕЛКИ D227/160/190 L543 BRÜLÖR BORUSU D227/160/190 L543	TUBO DO QUEIMADOR D227/160/190 L543	RURA PALNIKA D227/160/190 L543	1
	13009765	СОПЛО ГОРЕЛКИ D227/160/190 L443 BRÜLÖR BORUSU D227/160/190 L443	TUBO DO QUEIMADOR D227/160/190 L443	RURA PALNIKA D227/160/190 L443	1
2150	13009719	ПРОКЛАДКА/ФЛАНЕЦ ГОРЕЛКИ 335X326X3 D250 CONTASI/BRULOR FLANŞI 335X326X3 D250	GAXETA/FLANGE QUEIMADOR 335X326X3 D250	USZCZELKA/KOŁNIERZ PAL.335X326X3 D250	1
2160	65326208	ФИКС.ГОЛОВКА ФЛАНЦА D228 L389/VL6-NC210H FLANŞ SAB.BAŞLIĞI D228 L389/VL6-NC210 H	FLANGE FIX.CABEÇA D228 L389/VL6-NC160H	KOŁNIERZ UST.GŁOWICA D228L389/VL6-NC210H	1
2170	13009723	КОМПЛ-Т ВИНТ КРЕПЛЕН ТРУБЫ ГОРЕЛКИ (X3) BRÜLÖR TÜRÜ TESBİT VİDASI KİTİ (X3)	KIT PARAFUSO FIX. TUBO QUEIMADOR (X3)	ZESTAW ŚRUB MOCOW. RURA PALNIKA (X3)	1
2400	13016056	ФОРСУНКА DAN 6,50 GPH 60° B PÜSK. MEMESI DAN 6,50 GPH 60° B	BOQUILLA DAN 6,50 GPH 60° B	DYSZA DAN 6,50 GPH 60° B	1
	13016059	ФОРСУНКА DAN 8,50 GPH 60° B PÜSK. MEMESI DAN 8,50 GPH 60° B	BOQUILLA DAN 8,50 GPH 60° B	DYSZA DAN 8,50 GPH 60° B	1
2500	13009811	ГИДРОРАСПРЕДЕЛИТЕЛЬ В СБОРЕ (3X РЕЖИМ) HİDROLİK DİSTRİBÜTÖR TAKIMI (3ALL)	C.J. VÁLV. CONTROLE DÉBITO (3 ESTÁG.)	DYSTRYBUTOR HYDRAUL. EQ. (3ALL)	1
2510	13009813	ЭЛЕКТРОКЛАПАН LUC 121F63 2/2NF9W LUC 121F63 2/2NF9W ELEKTROVANA	VÁLVULA SOLENÓIDE LUC 121F63 2/2NF9W	CEWKA LUC 121F63 2/2NF9W	1
2520	13009814	ОБМОТКА LUCIFER 9W 9W LUCIFER BOBİN	BOBINA LUCIFER 9W	CEWKA LUCIFER 9 W	1
2600	13009724	ОСЬ/ШАРНИР ТЕЛО-ГОЛОВ.D12X210+D12X83 90° AKSI/MENTEŞ.VÜC.-KAFA D12X210+D12X83 90°	HASTE/DOBR.CORPO-CABE.D12X210+D12X83 90°	OŚ/ZAWIAS CIAŁO-GŁOWA D12X210+D12X83 90°	1
5001	13016039	ФОРСУНКА DAN 10,00 GPH 45° B PÜSK. MEMESI DAN 10,00 GPH 45° B	BOQUILLA DAN 10,00 GPH 45° B	DYSZA DAN 10,00 GPH 45° B	1
	13016042	ФОРСУНКА DAN 4,50 GPH 45° B PÜSK. MEMESI DAN 4,50 GPH 45° B	BOQUILLA DAN 4,50 GPH 45° B	DYSZA DAN 4,50 GPH 45° B	1
	13016043	ФОРСУНКА DAN 5,50 GPH 45° B PÜSK. MEMESI DAN 5,50 GPH 45° B	BOQUILLA DAN 5,50 GPH 45° B	DYSZA DAN 5,50 GPH 45° B	1
	13016044	ФОРСУНКА DAN 5,00 GPH 45° B PÜSK. MEMESI DAN 5,00 GPH 45° B	BOQUILLA DAN 5,00 GPH 45° B	DYSZA DAN 5,00 GPH 45° B	1
	13016045	ФОРСУНКА DAN 6,50 GPH 45° B PÜSK. MEMESI DAN 6,50 GPH 45° B	BOQUILLA DAN 6,50 GPH 45° B	DYSZA DAN 6,50 GPH 45° B	1
	13016047	ФОРСУНКА DAN 7,50 GPH 45° B PÜSK. MEMESI DAN 7,50 GPH 45° B	BOQUILLA DAN 7,50 GPH 45° B	DYSZA DAN 7,50 GPH 45° B	1
	13016048	ФОРСУНКА DAN 8,50 GPH 45° B PÜSK. MEMESI DAN 8,50 GPH 45° B	BOQUILLA DAN 8,50 GPH 45° B	DYSZA DAN 8,50 GPH 45° B	1
	13016049	ФОРСУНКА DAN 10,00 GPH 60° B PÜSK. MEMESI DAN 10,00 GPH 60° B	BOQUILLA DAN 10,00 GPH 60° B	DYSZA DAN 10,00 GPH 60° B	1
	13016050	ФОРСУНКА DAN 11,00 GPH 60° B PÜSK. MEMESI DAN 11,00 GPH 60° B	BOQUILLA DAN 11,00 GPH 60° B	DYSZA DAN 11,00 GPH 60° B	1
	13016053	ФОРСУНКА DAN 4,50 GPH 60° B PÜSK. MEMESI DAN 4,50 GPH 60° B	BOQUILLA DAN 4,50 GPH 60° B	DYSZA DAN 4,50 GPH 60° B	1
	13016054	ФОРСУНКА DAN 5,50 GPH 60° B PÜSK. MEMESI DAN 5,50 GPH 60° B	BOQUILLA DAN 5,50 GPH 60° B	DYSZA DAN 5,50 GPH 60° B	1
	13016056	ФОРСУНКА DAN 6,50 GPH 60° B PÜSK. MEMESI DAN 6,50 GPH 60° B	BOQUILLA DAN 6,50 GPH 60° B	DYSZA DAN 6,50 GPH 60° B	1
	13016058	ФОРСУНКА DAN 7,50 GPH 60° B PÜSK. MEMESI DAN 7,50 GPH 60° B	BOQUILLA DAN 7,50 GPH 60° B	DYSZA DAN 7,50 GPH 60° B	1
	13016059	ФОРСУНКА DAN 8,50 GPH 60° B PÜSK. MEMESI DAN 8,50 GPH 60° B	BOQUILLA DAN 8,50 GPH 60° B	DYSZA DAN 8,50 GPH 60° B	1
	13023430	ФОРСУНКА DAN 11,00 GPH 45° B PÜSK. MEMESI DAN 11,00 GPH 45° B	BOQUILLA DAN 11,00 GPH 45° B	DYSZA DAN 11,00 GPH 45° B	1
	65300630	ФОРСУНКА DAN 5,00 GPH 60° B PÜSK. MEMESI DAN 5,00 GPH 60° B	BOQUILLA DAN 5,00 GPH 60° B	DYSZA DAN 5,00 GPH 60° B	1
	65300688	ФОРСУНКА DAN 12,00 GPH 60° B PÜSK. MEMESI DAN 12,00 GPH 60° B	BOQUILLA DAN 12,00 GPH 60° B	DYSZA DAN 12,00 GPH 60° B	1



ADDRESSES

<https://www.elco-burners.com>

www.elco.net



LIST OF THE ABBREVIATIONS

-  : Maintenance parts / Pièces d'entretien / Materiali di consumo /
: Piezas de mantenimiento / Hilfsmaterial / Onderhoudsonderdelen
-  : Wearing parts / Pièces d'usure / Parti di usura
: Piezas de desgaste / Verschleissteile / Slijtageonderdelen
- * : Item not stocked, manufactured to order / Article non stocké, fabrication à la demande /
: Articolo non a magazzino, produzione all'ordine / Artículo no almacenado, fabricación previa solicitud /
: Keine Lagerware, wird bei Bedarf bestellt, Artikel niet op voorraad, fabricage op bestelling

IDENTIFICATION PLATE

SERIAL NUMBER

7 Characters : 00001 / K A

Sequential number

Trimester of manufacture : from A to D

Year of manufacture : K → 2003
L → 2004
M → 2005
etc ...

8 Characters : 00001 / L 09

Sequential number

Month of manufacture

Year of manufacture : K → 2003
L → 2004
M → 2005
etc ...

11 Characters : 2007 1370 P 07

Year of manufacture

Month of manufacture

Year of manufacture : P → 2007
R → 2008
S → 2009
T → 2010
U → 2011
W → 2012
X → 2013
Y → 2014
Z → 2015

Sequential number

18 Characters : 070115 000000000001

Sequential number

Manufacturing day (07) / Month (01) / Year (15)

The indications mentioned on the prices, commercial or technical literature and the scheme are written for your guidance and are available at a given time. The CONSTRUCTOR retains the power to modify the presentation, the form, the size, the conception or the material of the products.